



US00D821251S

(12) **United States Design Patent**
Yatsugi-Kang

(10) **Patent No.:** **US D821,251 S**
(45) **Date of Patent:** **** Jun. 26, 2018**

(54) **RING**
(71) Applicant: **HARRY WINSTON SA,**
Plan-les-Ouates (CH)
(72) Inventor: **Rie Yatsugi-Kang,** Cresskill, NJ (US)
(73) Assignee: **Harry Winston SA,** Plan-les-Ouates
(CH)
(**) Term: **15 Years**
(21) Appl. No.: **29/604,854**
(22) Filed: **May 22, 2017**

1,586,606 A * 6/1926 Cain A44C 9/003
63/1.12
5,987,919 A * 11/1999 Hooser A44C 9/0007
63/1.14
6,032,485 A * 3/2000 Steinberg A44C 9/00
63/15
D432,938 S * 10/2000 Vardakis D11/26
6,560,993 B1 * 5/2003 Bosque A44C 5/0092
63/15
D689,789 S * 9/2013 Hardy D11/26
D780,028 S * 2/2017 Yatsugi-Kang D11/34
D792,800 S * 7/2017 Kwon D11/34
D805,944 S * 12/2017 Kwon D11/4
D808,843 S * 1/2018 Kwon D11/4

(30) **Foreign Application Priority Data**

Nov. 21, 2016 (WO) DM/093 557

(51) **LOC (11) Cl.** **11-01**

(52) **U.S. Cl.**
USPC **D11/34**

(58) **Field of Classification Search**

USPC ... D11/1, 2, 7, 8, 11, 26-39, 40, 41, 42, 43,
D11/44, 56, 79-86, 91, 92

CPC .. A44C 5/00; A44C 1/00; A44C 7/002; A44C
11/00; A44C 11/007; A44C 17/02; A44C
17/0241; A44C 17/0266; A44C 17/0175;
A44C 17/0208; A44C 17/0216; A44C
17/0225; A44C 17/0233; A44C 17/025;
A44C 17/0258; A44C 17/0275; A44C
17/0283; A44C 17/0291; A44C 9/00;
A44C 9/0007; A44C 9/0015; A44C
9/0023; A44C 9/003; A44C 9/0038; A44C
9/0046; A44C 9/0053; A44C 9/0061;
A44C 9/0069; A44C 9/0076; A44C
9/0084; A44C 9/02; A44C 15/001

See application file for complete search history.

(56) **References Cited**

U.S. PATENT DOCUMENTS

D25,910 S * 8/1896 Lingg D11/38
D58,409 S * 7/1921 Sturm D11/5

OTHER PUBLICATIONS

[Online] <https://www.instagram.com/p/BaTmYU511YM/?hl=en>.
Posted online Oct. 16, 2017. Retrieved Feb. 3, 2018.*

* cited by examiner

Primary Examiner — Melanie Pellegrini

(74) *Attorney, Agent, or Firm* — Blank Rome LLP

(57) **CLAIM**

The ornamental design for a ring, as shown.

DESCRIPTION

FIG. 1 is a front right perspective view of a ring showing my
new design;

FIG. 2 is a front view thereof;

FIG. 3 is a rear view thereof;

FIG. 4 is a left side view thereof;

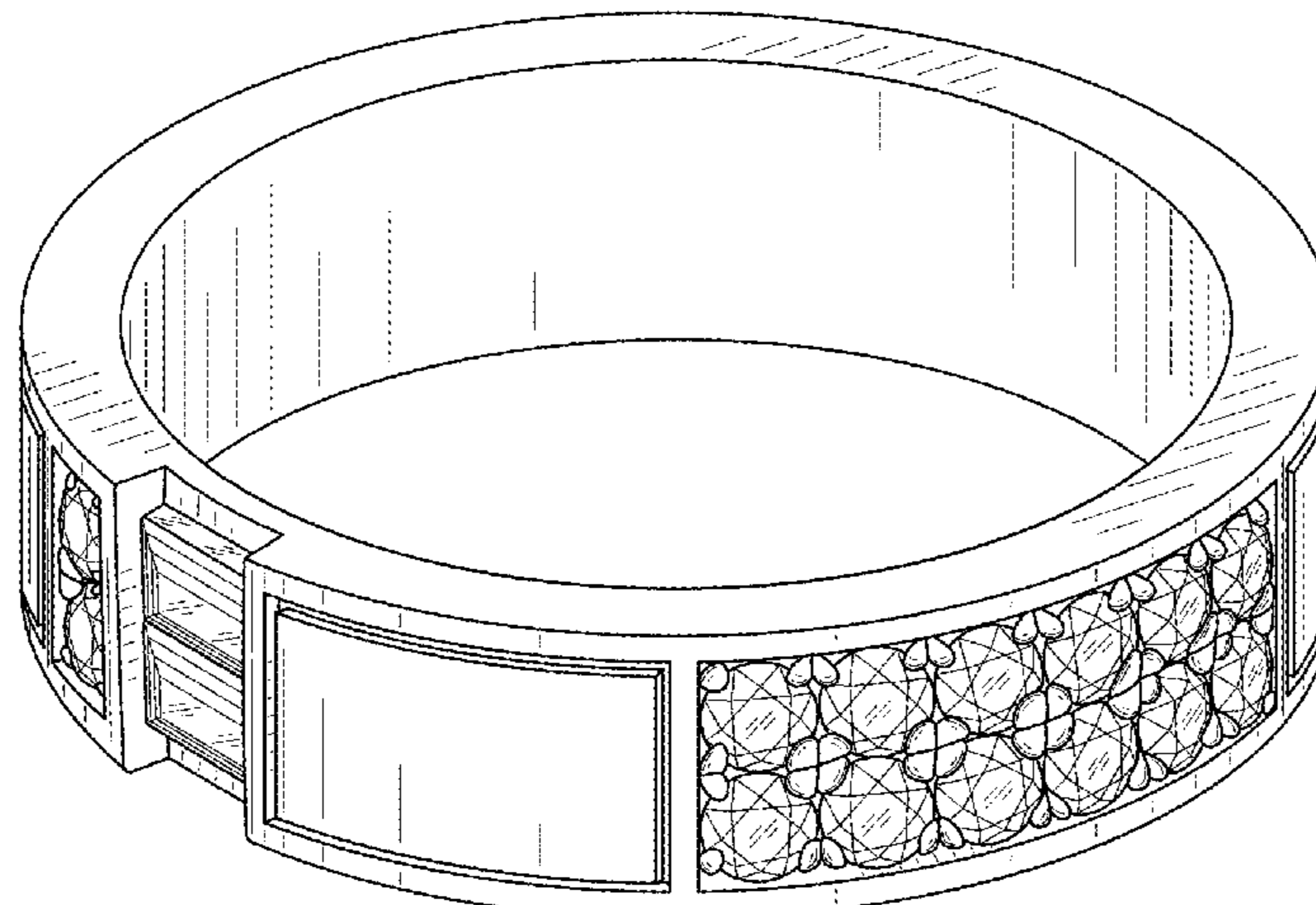
FIG. 5 is a right side view thereof;

FIG. 6 is a top view thereof;

FIG. 7 is a bottom view thereof; and,

FIG. 8 is a rear left perspective view thereof.

1 Claim, 6 Drawing Sheets



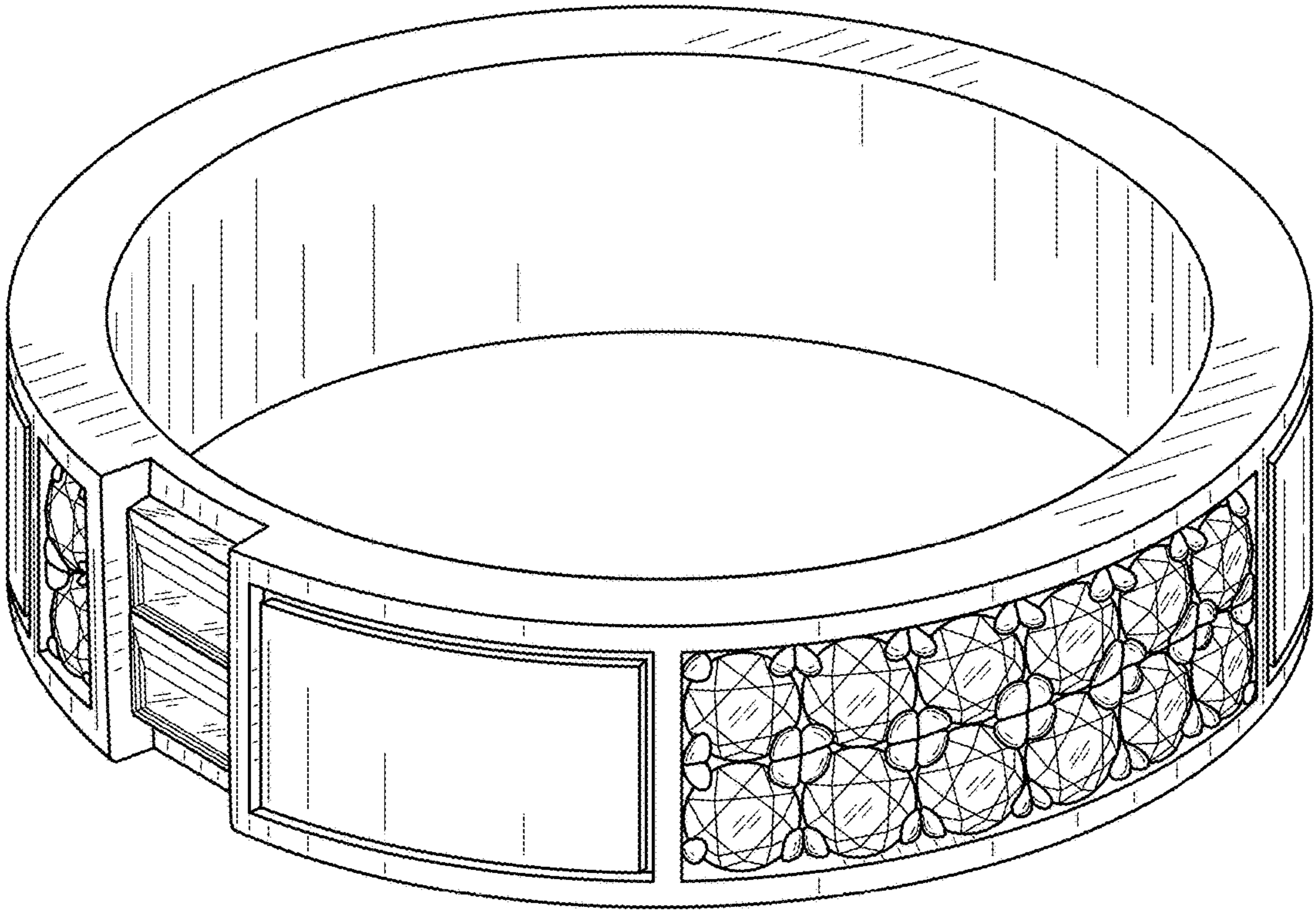


FIG. 1

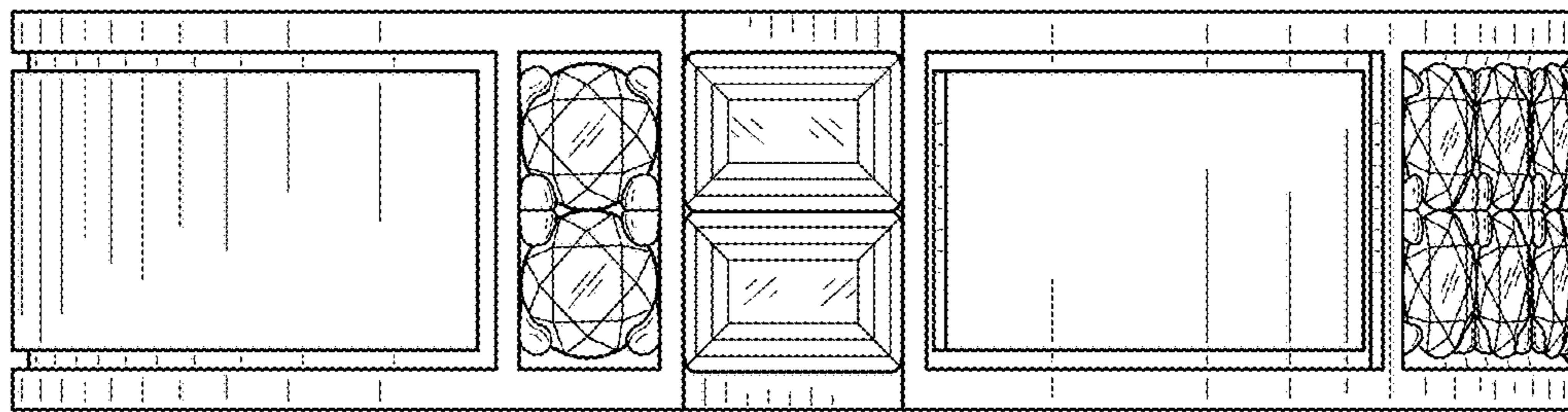


FIG. 2

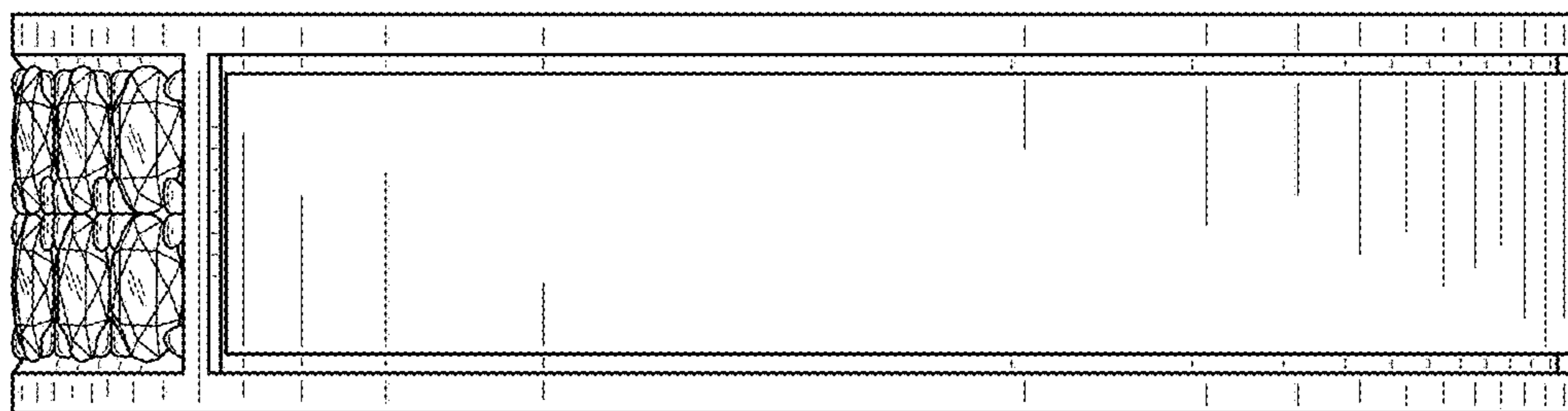


FIG. 3

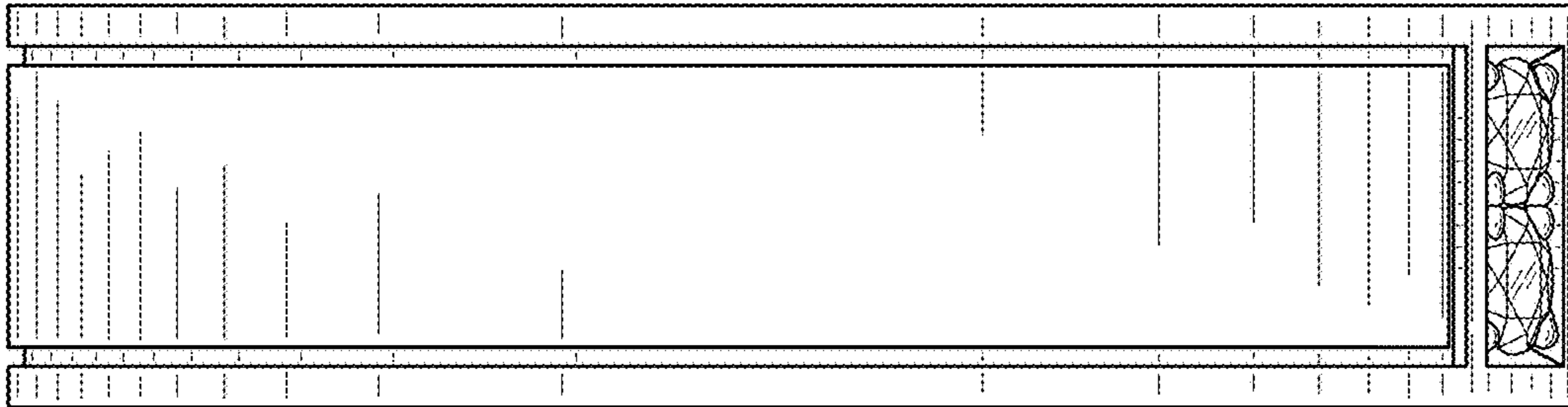


FIG. 4

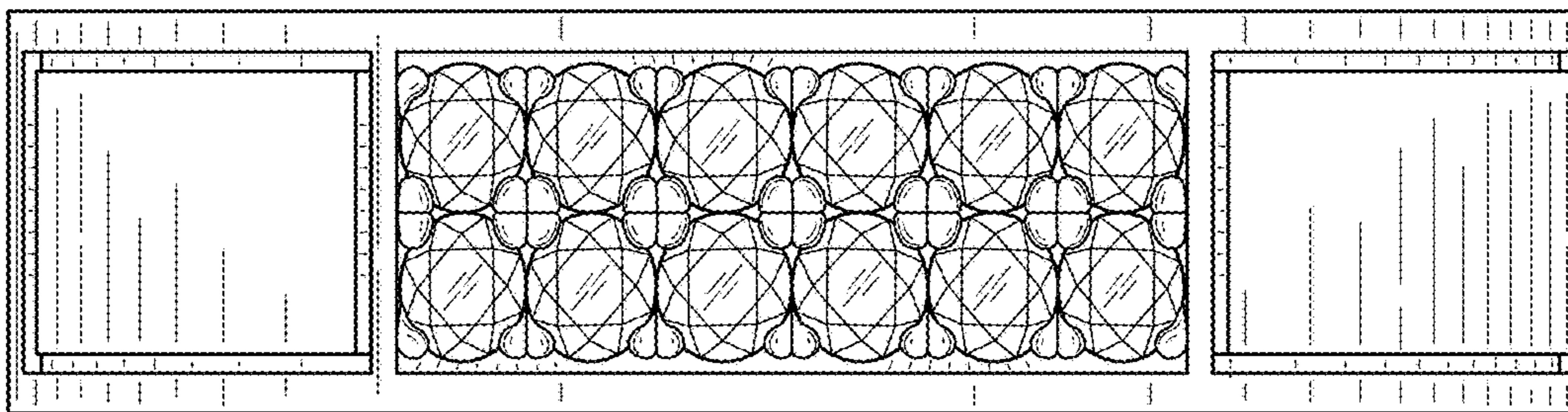


FIG. 5

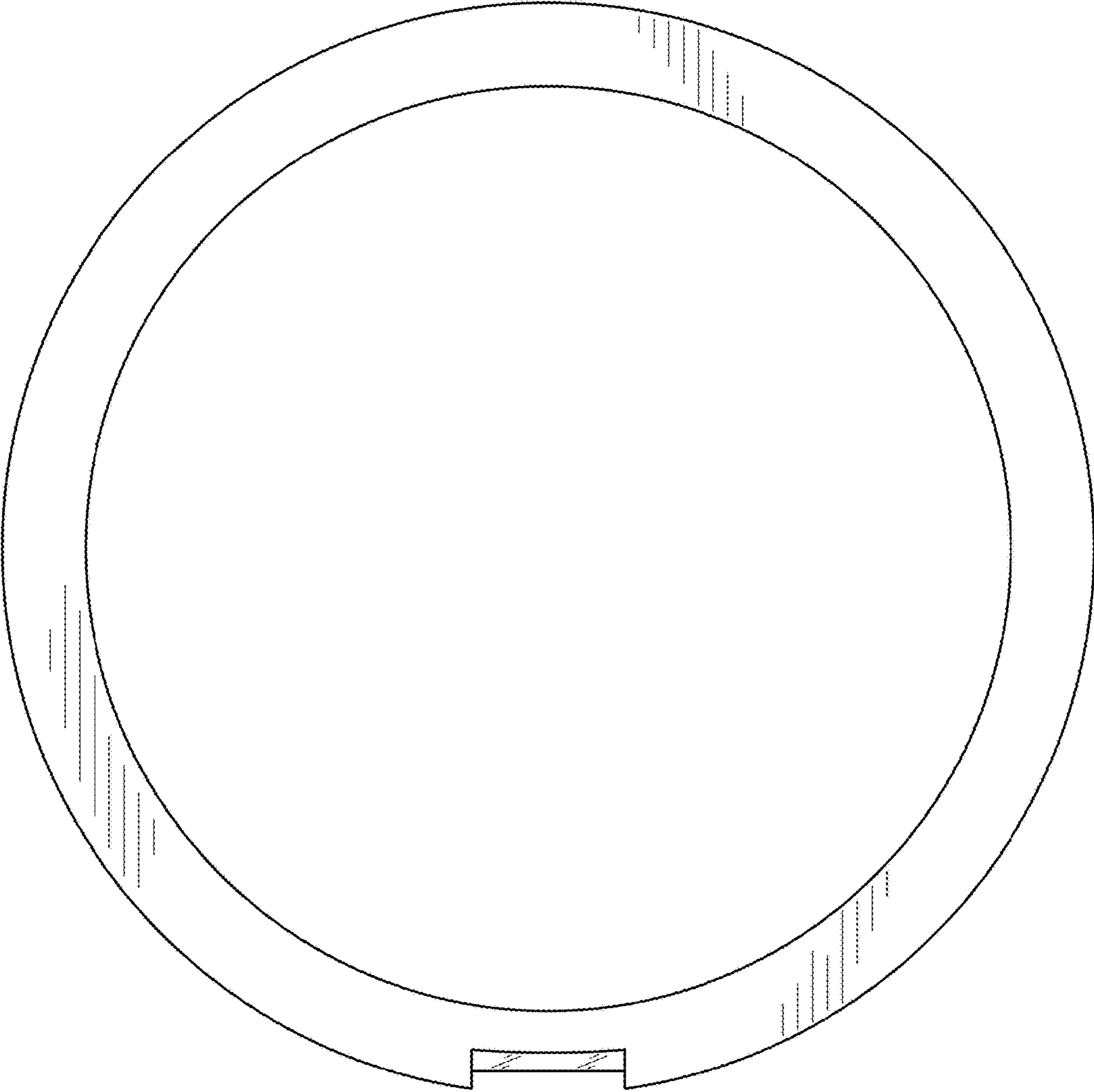


FIG. 6

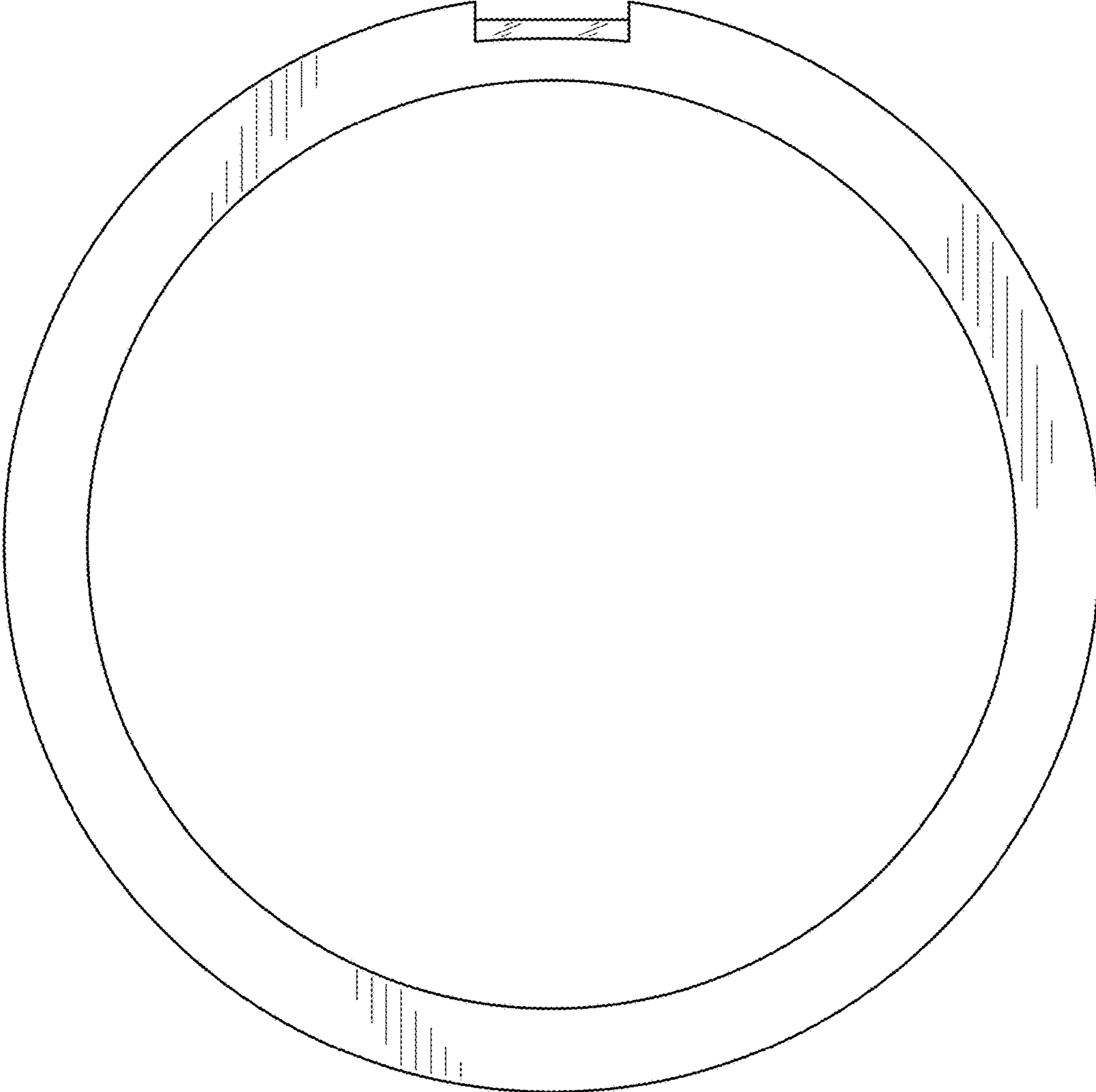


FIG. 7

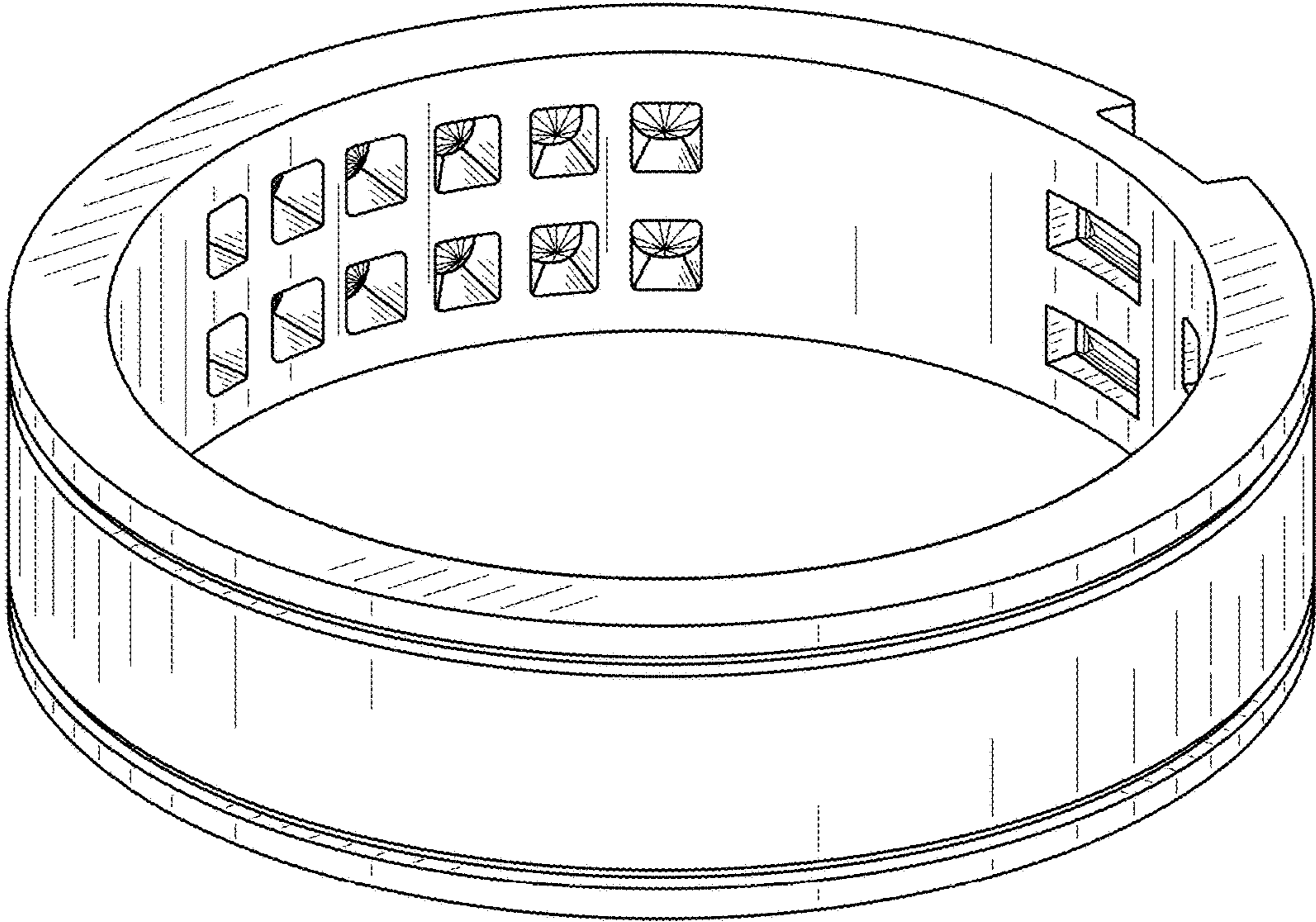


FIG. 8