



US00D821249S

(12) **United States Design Patent**  
**Sivriere**

(10) **Patent No.:** **US D821,249 S**  
(45) **Date of Patent:** **\*\* Jun. 26, 2018**

(54) **RING**  
(71) Applicant: **Richemont International SA,**  
Villars-sur-Glane (CH)  
(72) Inventor: **Stephanie Sivriere,** Plan les Ouates  
(CH)  
(73) Assignee: **Richemont International SA,**  
Villars-sur-Glane (CH)

2,119,039 A \* 5/1938 Boyd ..... A44C 9/00  
63/15  
D116,171 S \* 8/1939 Rodgers ..... D11/33  
D118,591 S \* 1/1940 Cohn ..... 63/28  
D140,548 S \* 3/1945 Klein ..... D11/26  
D248,741 S \* 8/1978 Barr ..... D11/33  
D494,883 S \* 8/2004 Pachachi ..... D11/33  
D713,754 S \* 9/2014 Pasquetti ..... D11/33  
D794,496 S \* 8/2017 Verdeille ..... D11/33

(\*\*) Term: **15 Years**  
(21) Appl. No.: **29/606,457**  
(22) Filed: **Jun. 5, 2017**

(30) **Foreign Application Priority Data**

Dec. 5, 2016 (WO) ..... DM/093749

(51) **LOC (11) Cl.** ..... **11-01**  
(52) **U.S. Cl.**  
USPC ..... **D11/33**

(58) **Field of Classification Search**  
USPC .... D11/1, 2, 7, 8, 26-39, 40, 63-67, 79, 84,  
D11/86, 91, 92, 99, 106, 115  
CPC .. A44C 5/00; A44C 1/00; A44C 7/002; A44C  
11/00; A44C 11/007; A44C 23/00; A44C  
25/00; A44C 25/001; A44C 25/007; A44C  
17/02; A44C 17/0241; A44C 17/0266;  
A44C 17/0175; A44C 9/00; A44C  
9/0007; A44C 9/0015; A44C 9/0023;  
A44C 9/003; A44C 9/0038; A44C  
9/0046; A44C 9/0053; A44C 9/0061;  
A44C 9/0069; A44C 9/0076; A44C  
9/0084; A44C 9/02; A44C 15/001  
See application file for complete search history.

(56) **References Cited**

**U.S. PATENT DOCUMENTS**

D76,691 S \* 10/1928 Lee ..... D11/35

**OTHER PUBLICATIONS**

[Online] [http://static.piaget.com/pub/media/cache/img\\_piaget/photoRect/73767/900/1x1/light-grey/v16.jpg](http://static.piaget.com/pub/media/cache/img_piaget/photoRect/73767/900/1x1/light-grey/v16.jpg). Retrieved Feb. 1, 2018.\*  
[Online] [http://www.kay.com/images/products/0232/023205305\\_MV\\_ZM.jpg](http://www.kay.com/images/products/0232/023205305_MV_ZM.jpg). Retrieved Feb. 1, 2018.\*

\* cited by examiner

*Primary Examiner* — Melanie Pellegrini  
(74) *Attorney, Agent, or Firm* — Taft Stettinius & Hollister LLP

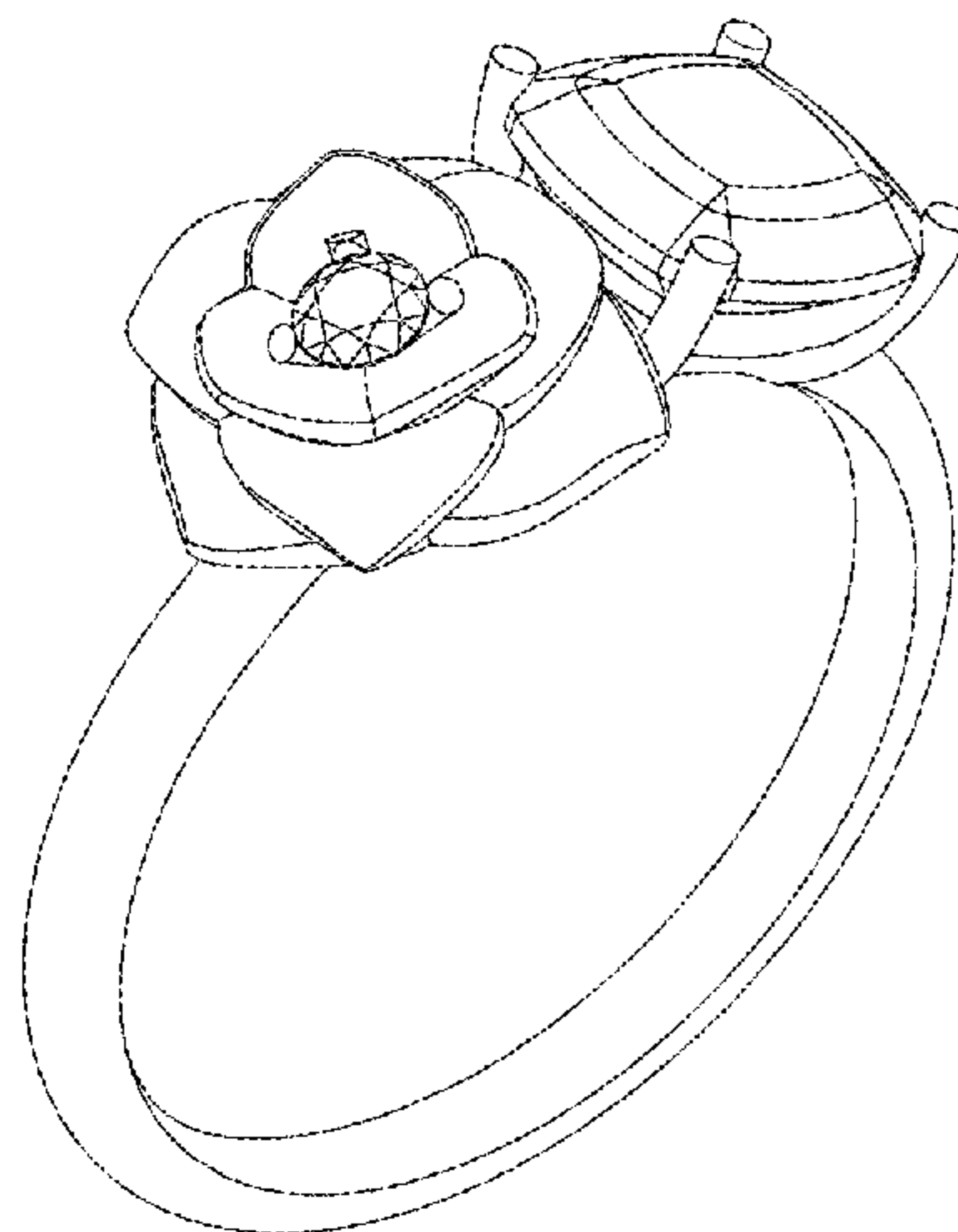
(57) **CLAIM**

The ornamental design of a ring, as shown and described.

**DESCRIPTION**

FIG. 1 is a front elevational view of a ring showing my new design;  
FIG. 2 is a back elevational view thereof;  
FIG. 3 is a top plan view thereof;  
FIG. 4 is a bottom plan view thereof;  
FIG. 5 is a left side elevational view thereof;  
FIG. 6 is a right side elevational view thereof; and,  
FIG. 7 is a front, left side perspective view thereof.

**1 Claim, 2 Drawing Sheets**



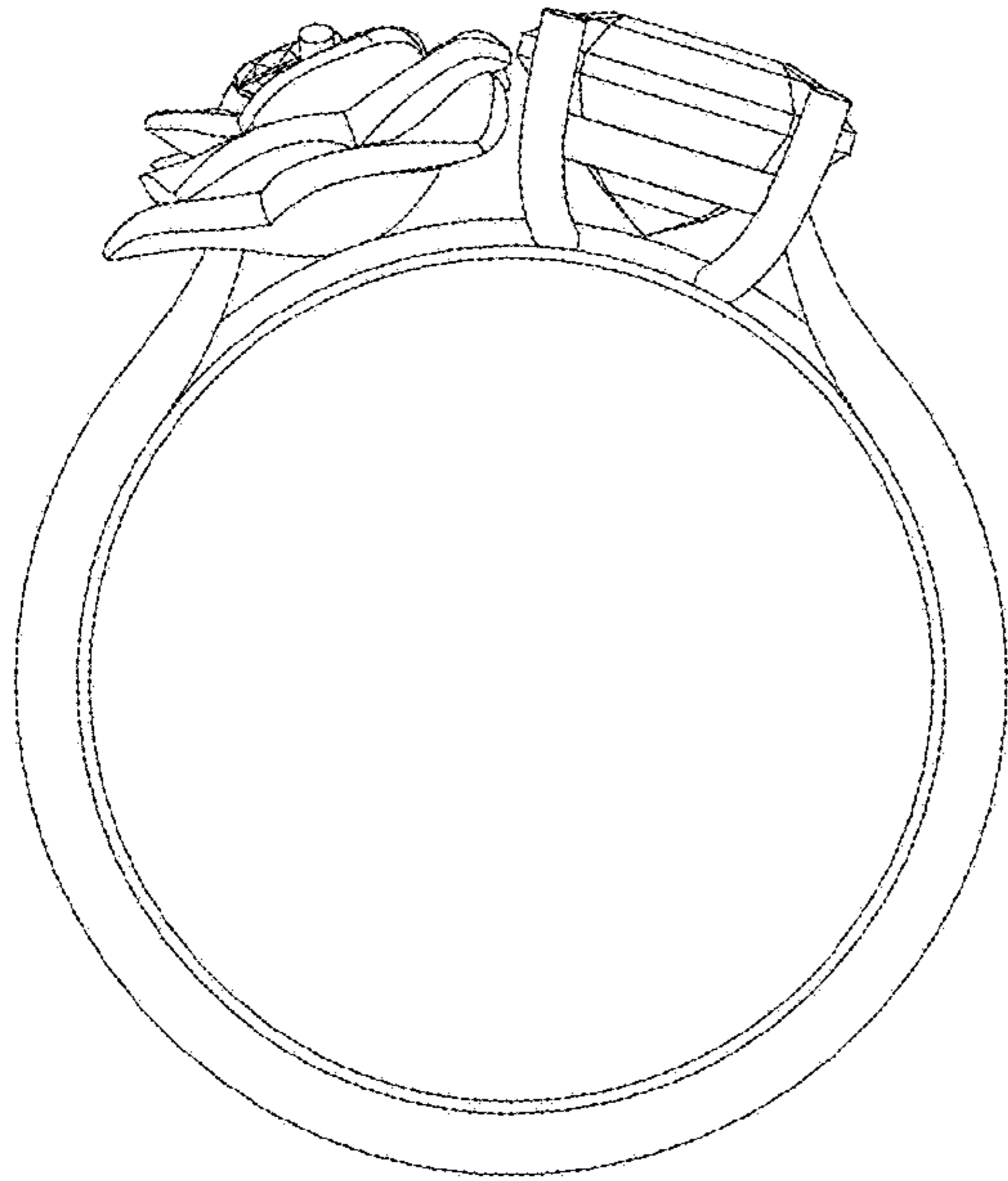


Fig. 1

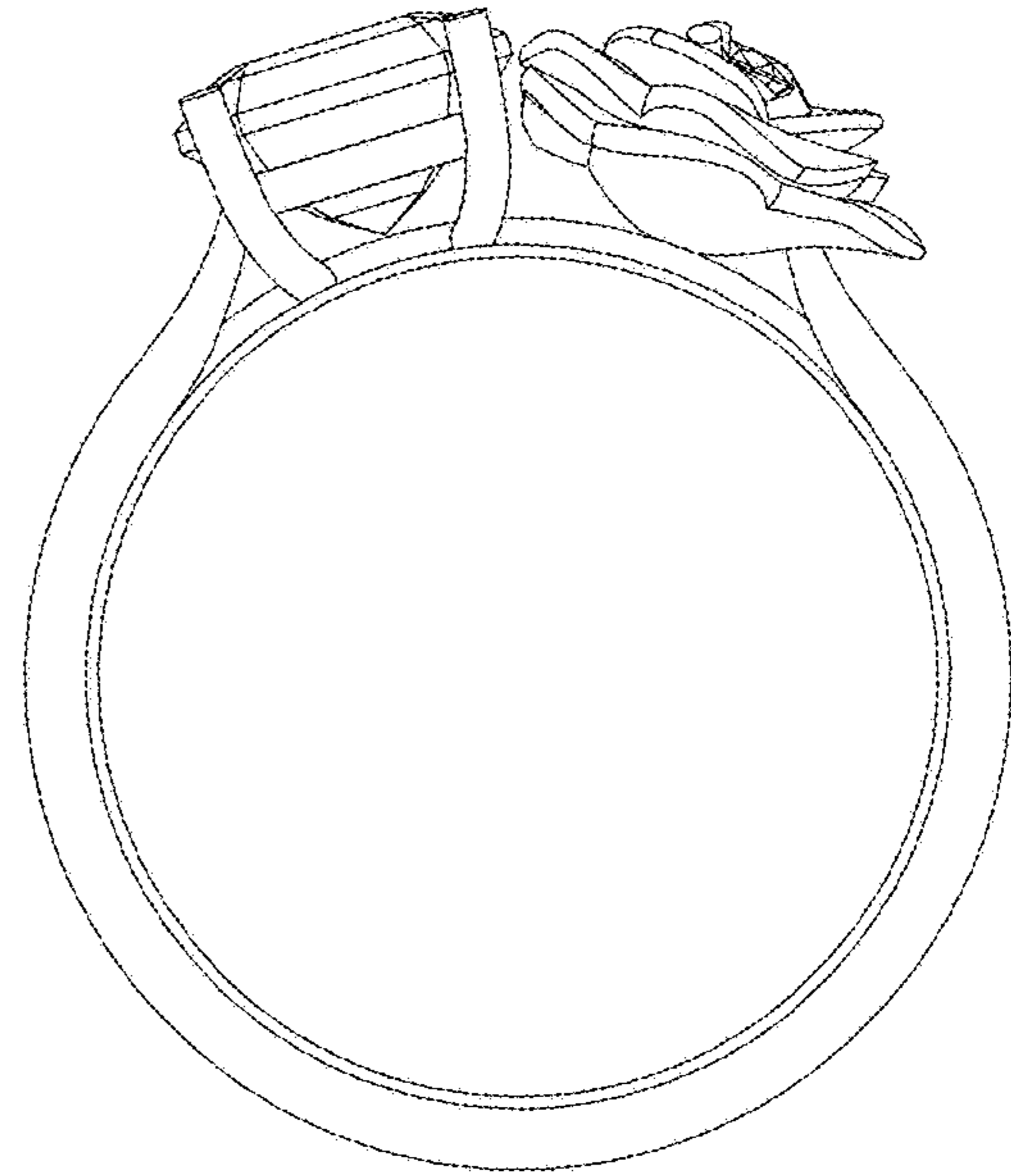


Fig. 2

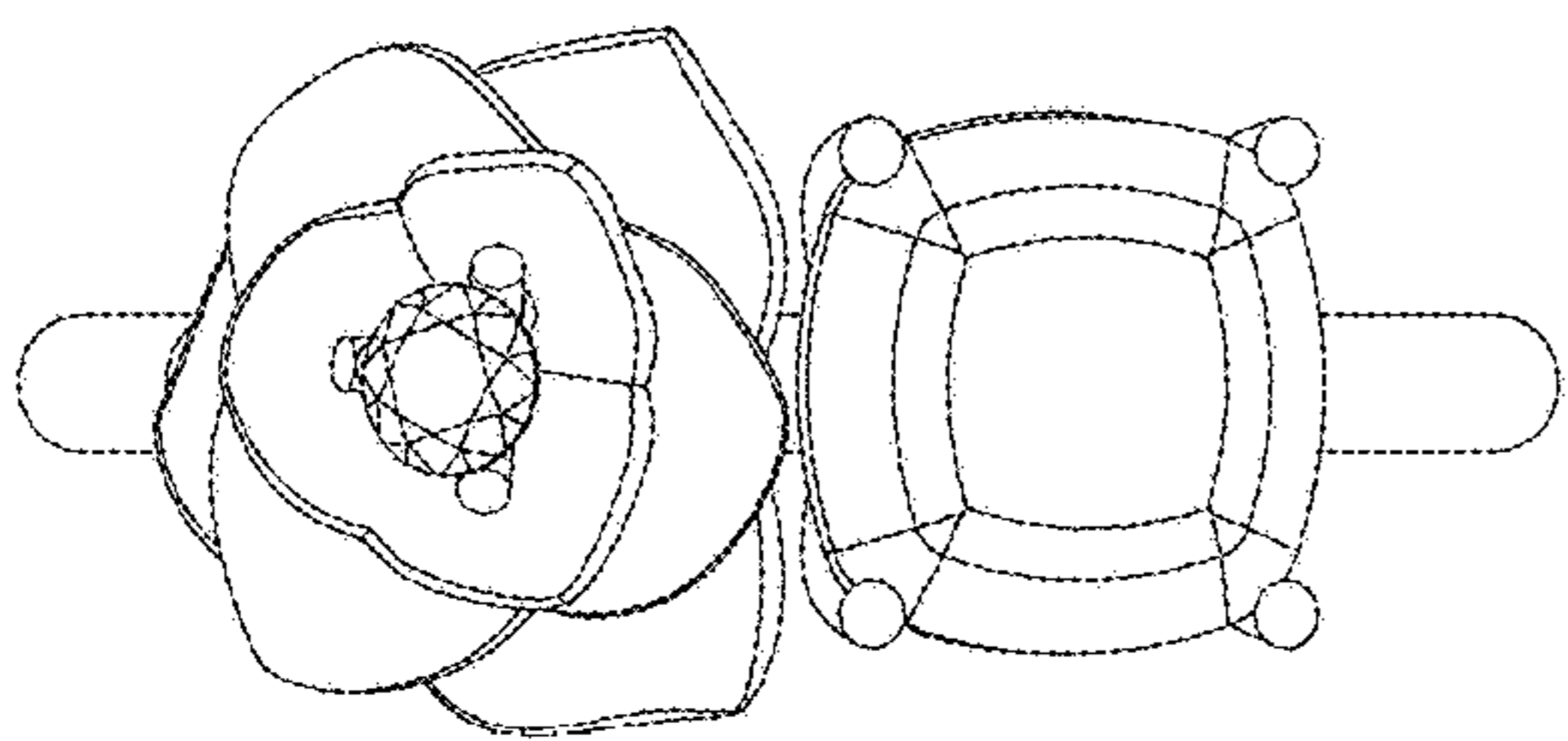


Fig. 3

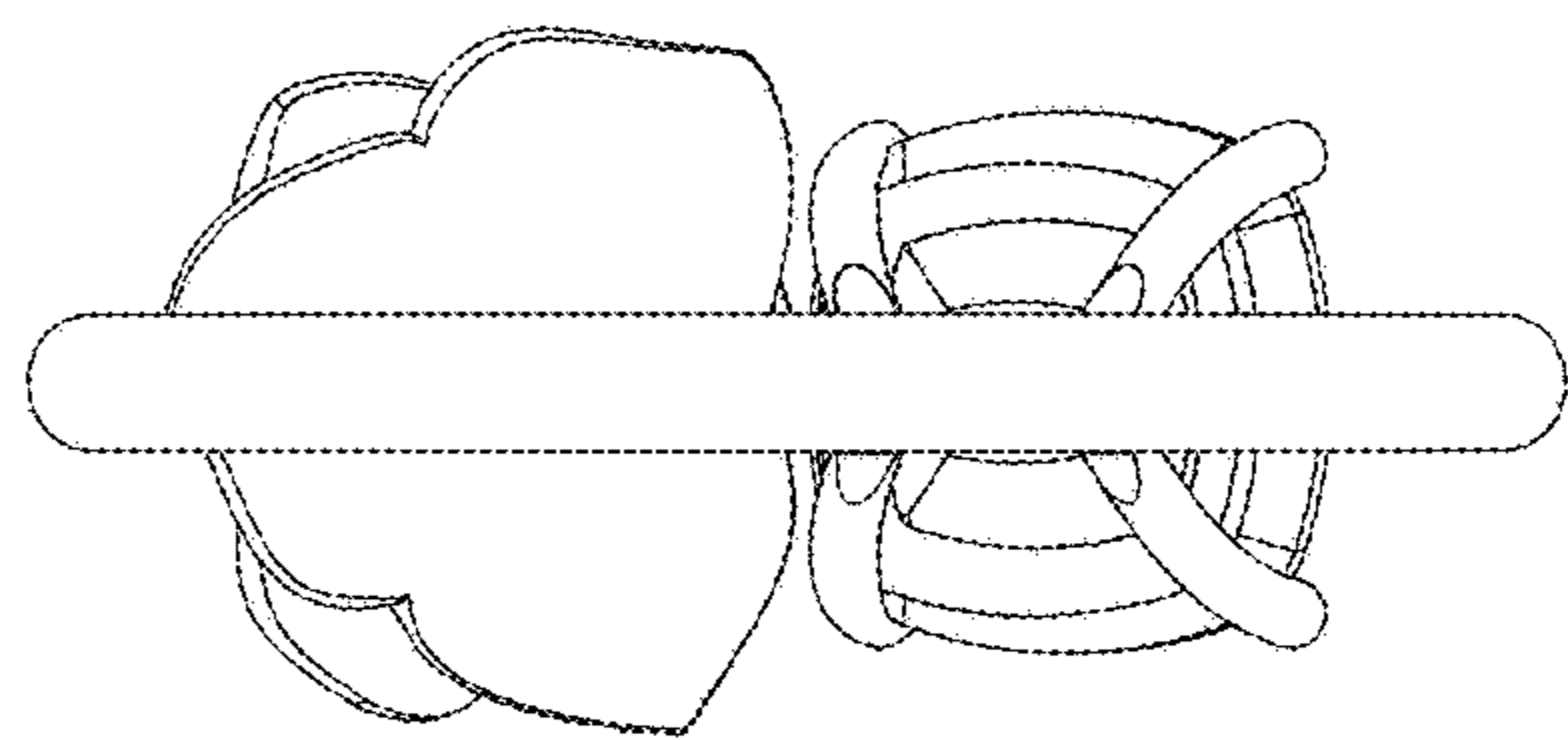


Fig. 4

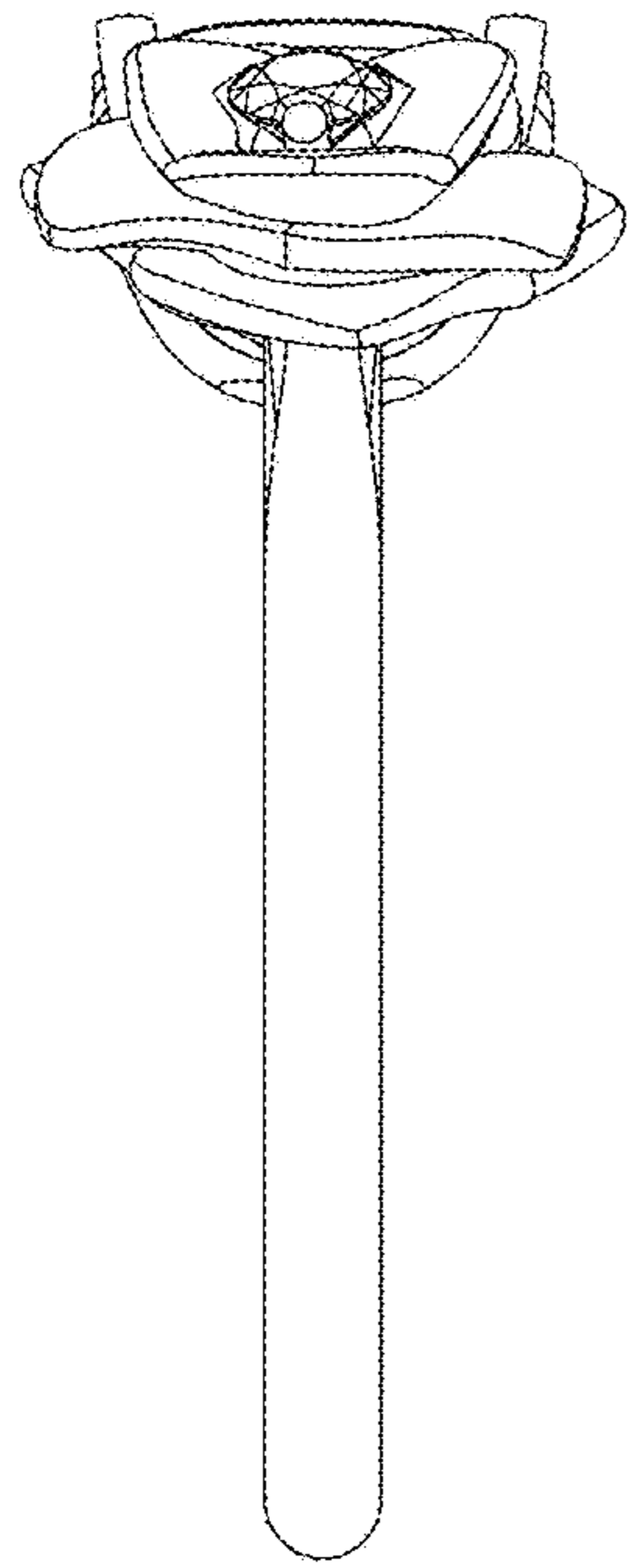


Fig. 5

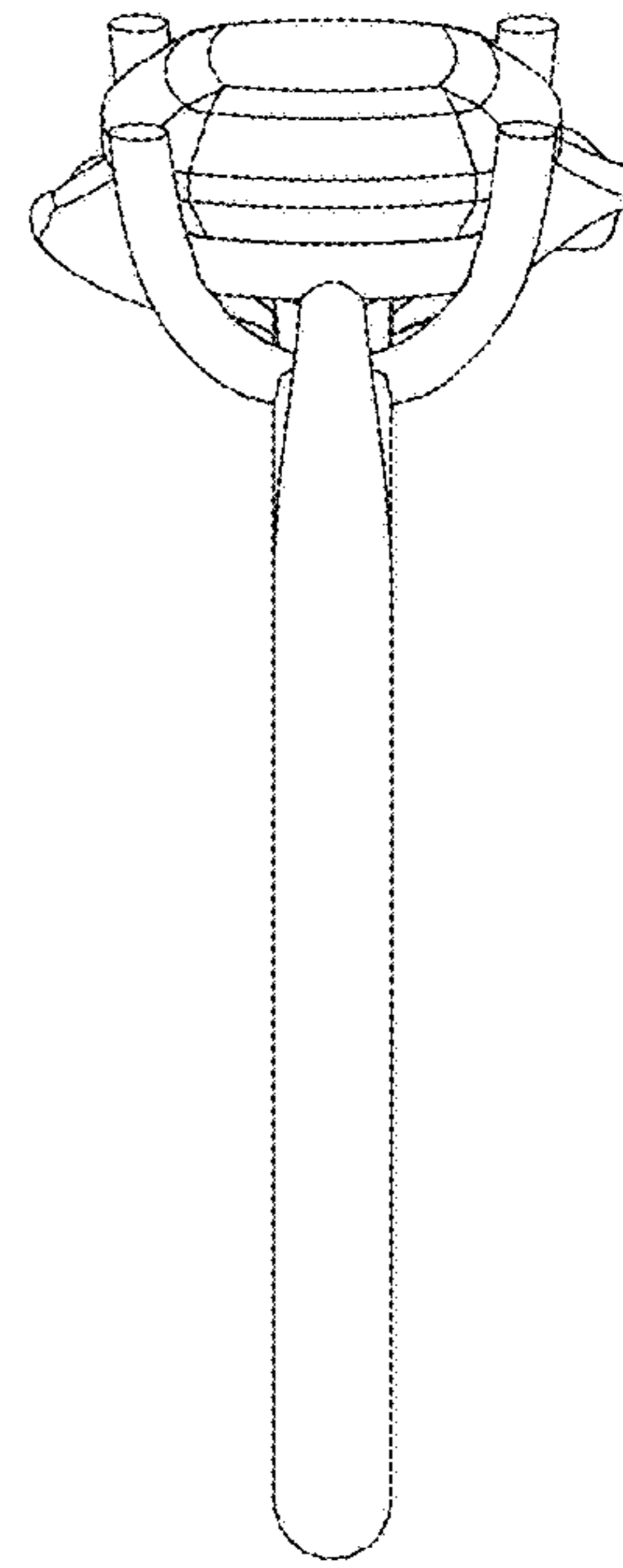


Fig. 6

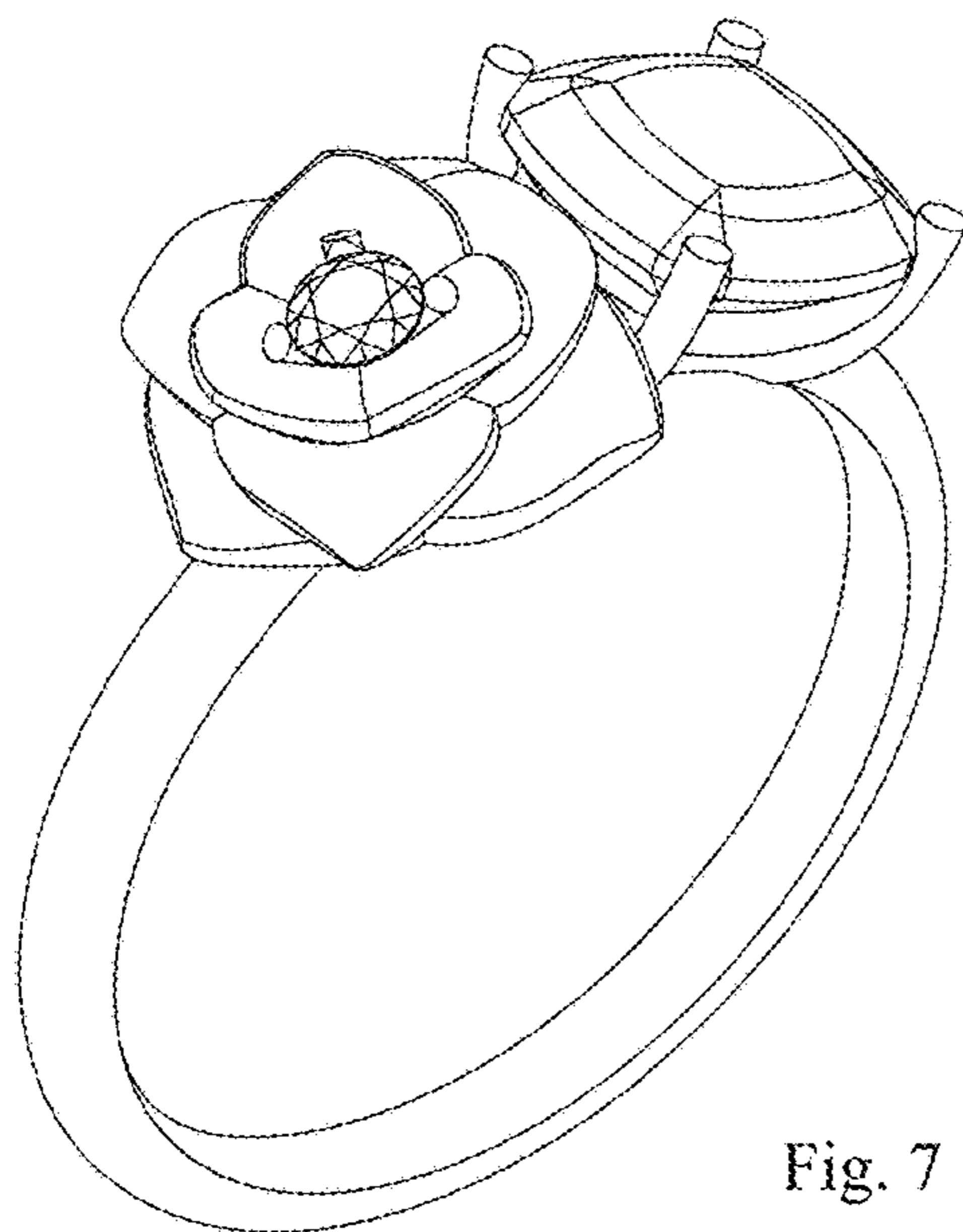


Fig. 7