



US00D821248S

(12) **United States Design Patent** (10) **Patent No.:** **US D821,248 S**  
**Naqvi** (45) **Date of Patent:** **\*\* Jun. 26, 2018**

(54) **NOVELTY WRISTBAND**  
(71) Applicant: **Naqvi Enterprises, LLC**, Trumbull, CT (US)  
(72) Inventor: **Amanda Lynne Naqvi**, Shelton, CT (US)  
(73) Assignee: **Naqvi Enterprises**, Trumbull, CT (US)  
(\*\*) Term: **15 Years**  
(21) Appl. No.: **29/585,220**

2,680,315 A \* 6/1954 McHugh ..... A01K 11/00  
D3/227  
D176,877 S \* 2/1956 Newmark ..... D11/3  
D293,561 S \* 1/1988 Bulgari ..... D11/3  
D326,827 S \* 6/1992 Peterson ..... D11/40  
D335,263 S \* 5/1993 Willis ..... D11/3  
D424,417 S \* 5/2000 Axelsson ..... D8/394

(Continued)

*Primary Examiner* — Cynthia Ramirez  
*Assistant Examiner* — L. Martinez-Rivera  
(74) *Attorney, Agent, or Firm* — Wiggin and Dana LLP;  
Gregory S. Rosenblatt; Jonathan D. Hall

(22) Filed: **Nov. 22, 2016**  
(51) **LOC (11) Cl.** ..... **11-01**  
(52) **U.S. Cl.**  
USPC ..... **D11/3**

(57) **CLAIM**

The ornamental design for a novelty wristband, as shown and described.

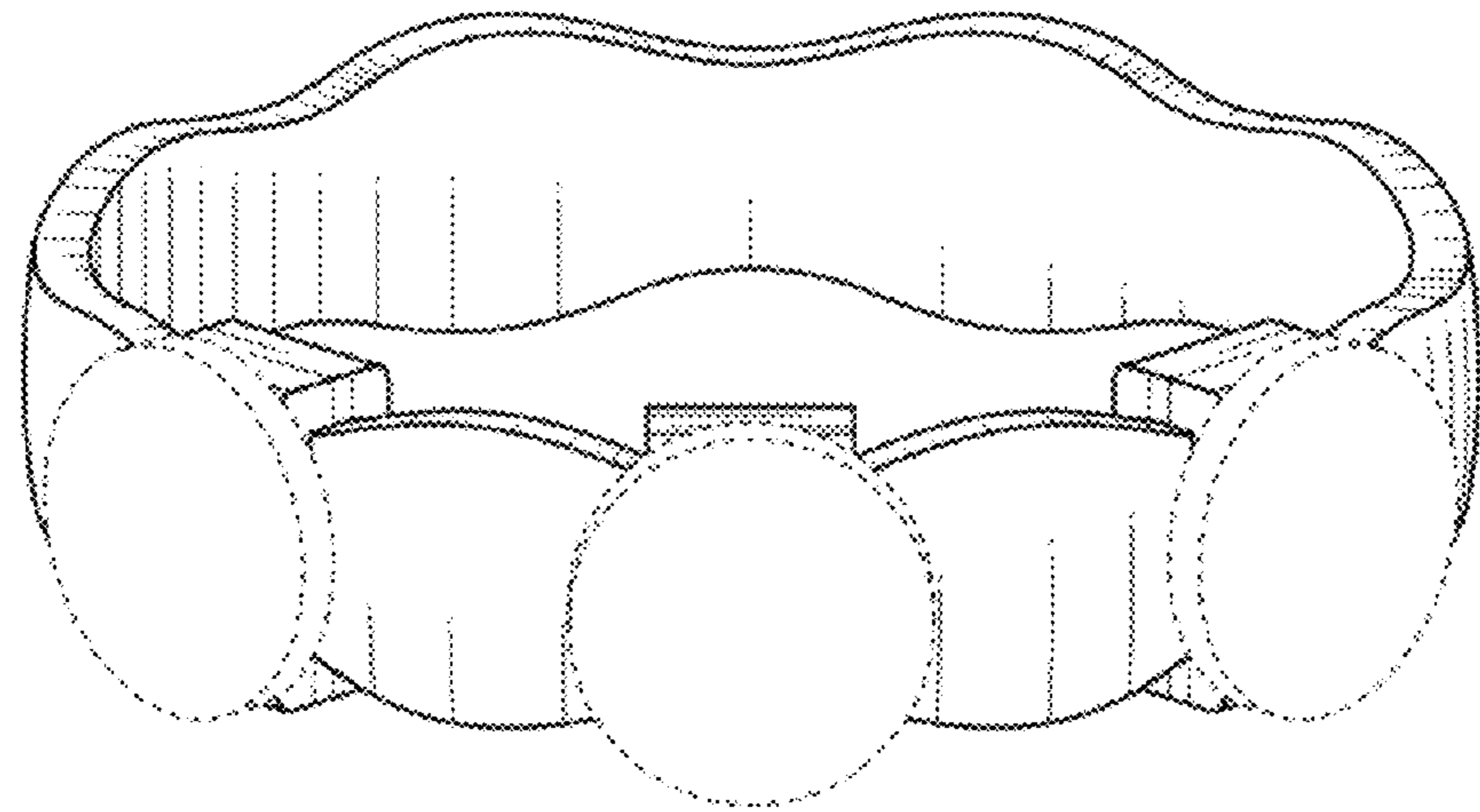
(58) **Field of Classification Search**  
USPC ..... D11/1-40, 79, 86; D14/344; D10/31, D10/32; D28/41  
CPC ... A44C 5/0007; A44C 5/0015; A44C 5/0023; A44C 5/003; A44C 5/0038; A44C 5/0053; A44C 5/0061; A44C 5/0069; A44C 5/0084; A44C 5/0092; A44C 5/02; A44C 5/022; A44C 5/025; A44C 5/04; A44C 5/10; A44C 5/102; A44C 5/105; A44C 5/107; A44C 5/12; A44C 5/14; A44C 5/142; A44C 5/18; A44C 5/185; A44C 5/20; A44C 5/22; A44C 5/2009; A44C 5/2023; A44C 9/00; A44C 9/0038; A44C 9/0046; A44C 9/0069; A44C 9/0084; A44C 9/02; A44C 17/00; A44C 17/003; A44C 17/007; A44C 17/02; A44C 25/00; A44C 25/001; A44C 25/002; A44C 25/004; A44C 25/005; A44C 25/007  
See application file for complete search history.

**DESCRIPTION**

FIG. 1 is a top perspective view of a novelty wristband showing my new design;  
FIG. 2 is a front view thereof;  
FIG. 3 is a side view thereof;  
FIG. 4 is a top plan view thereof;  
FIG. 5 is a bottom plan view thereof;  
FIG. 6 is a bottom perspective view thereof;  
FIG. 7 is a top perspective view of the novelty wristband of FIG. 1 wherein the articles have been detached for clarity of illustration;  
FIG. 8 is another top perspective view thereof, showing one of the articles of the novelty wristband of FIG. 1 separately for clarity of illustration; and,  
FIG. 9 is a bottom perspective view thereof, showing one of the articles of the novelty wristband of FIG. 1 separately for clarity of illustration.  
The broken lines in FIGS. 1-6, 8 and 9 illustrate portions of the novelty wristband that form no part of the claimed design.

(56) **References Cited**  
U.S. PATENT DOCUMENTS  
2,322,461 A \* 6/1943 Mariano ..... A44C 5/00  
D11/19  
2,378,755 A \* 6/1945 Dowling ..... A44C 5/00  
D11/11

**1 Claim, 3 Drawing Sheets**



# US D821,248 S

Page 2

(56)

## References Cited

### U.S. PATENT DOCUMENTS

D470,937	S *	2/2003	Gary	.....	D8/395
D472,840	S *	4/2003	Visick	.....	D11/3
D473,155	S *	4/2003	Bonnet	.....	D11/26
D497,566	S *	10/2004	Pucci	.....	D11/11
6,880,364	B1 *	4/2005	Vidolin	.....	A44C 5/025 63/40
D597,881	S *	8/2009	Hou	.....	D11/3
D656,056	S *	3/2012	Outland	.....	D11/79
D676,313	S *	2/2013	Zimmerer	.....	D8/394
D676,737	S *	2/2013	Zimmerer	.....	D8/394
D682,464	S *	5/2013	Gary	.....	D26/142
8,474,284	B2 *	7/2013	Rush	.....	A44C 5/003 63/3
D694,662	S *	12/2013	Buckley	.....	D11/3
D707,584	S *	6/2014	Webb	.....	D11/87
D712,773	S *	9/2014	Mounce	.....	D11/4
D714,178	S *	9/2014	Sabbioni	.....	D11/3
D722,902	S *	2/2015	Mihalyo	.....	D11/3
D728,404	S *	5/2015	Evans	.....	D11/3
D733,605	S *	7/2015	Soehn	.....	D11/3
9,538,818	B2 *	1/2017	Zannella	.....	A44C 5/0007
2007/0064412	A1 *	3/2007	Radley-Smith	.....	A44C 5/0015 63/3
2007/0279852	A1 *	12/2007	Daniel	.....	A44C 5/0007 361/679.03
2008/0250815	A1 *	10/2008	Wachler	.....	A44C 13/00 63/1.15
2009/0007597	A1 *	1/2009	Hanevold	.....	A44C 5/0015 63/1.14
2009/0031757	A1 *	2/2009	Harding	.....	A44C 5/003 63/3.2
2010/0011623	A1 *	1/2010	Seckler	.....	A43B 1/0054 36/136
2010/0300147	A1 *	12/2010	Farmer	.....	A44C 3/00 63/3.1
2011/0061424	A1 *	3/2011	Gupta	.....	A44C 5/0015 63/1.13

\* cited by examiner

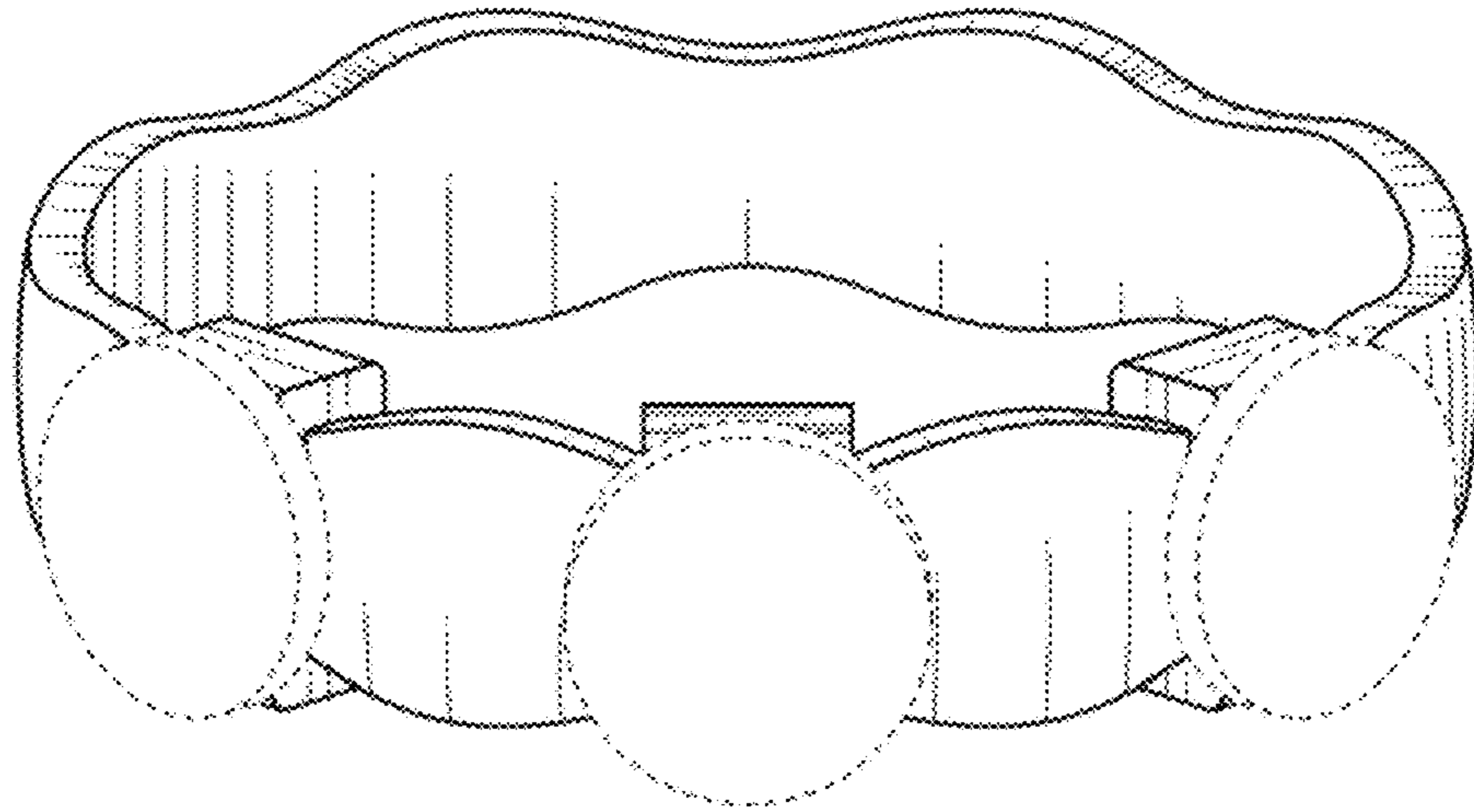


FIG. 1

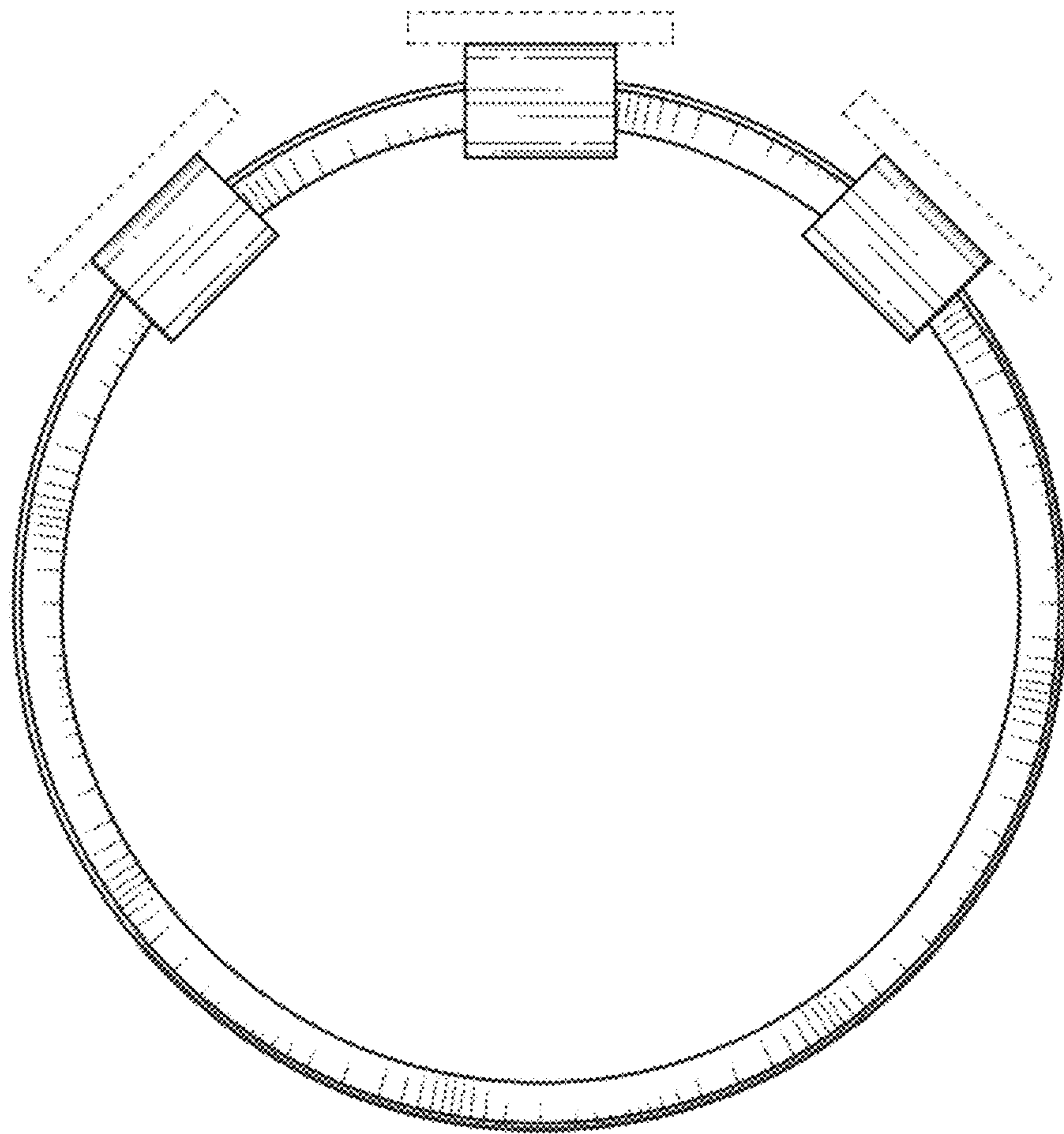


FIG. 2

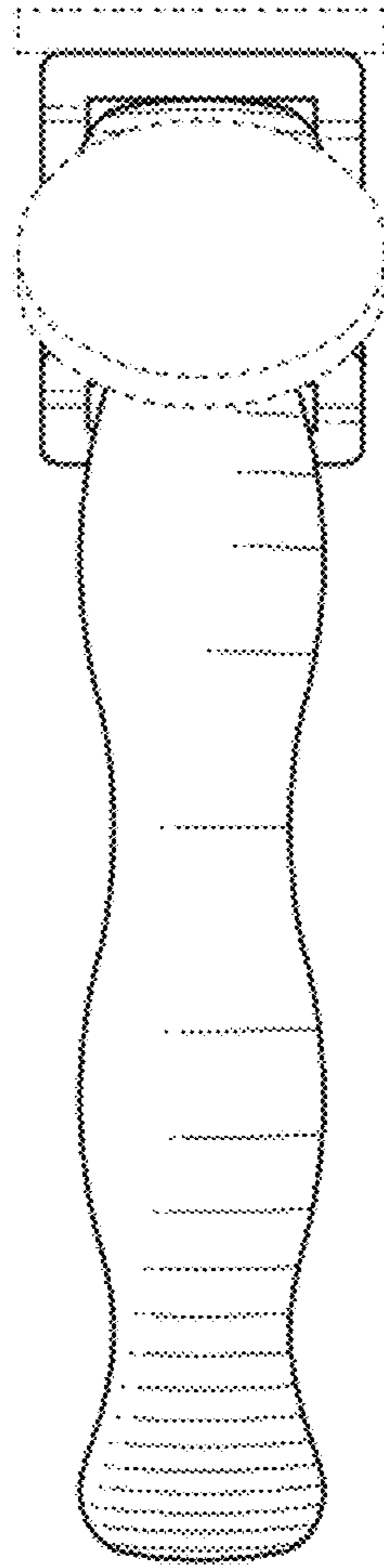


FIG. 3

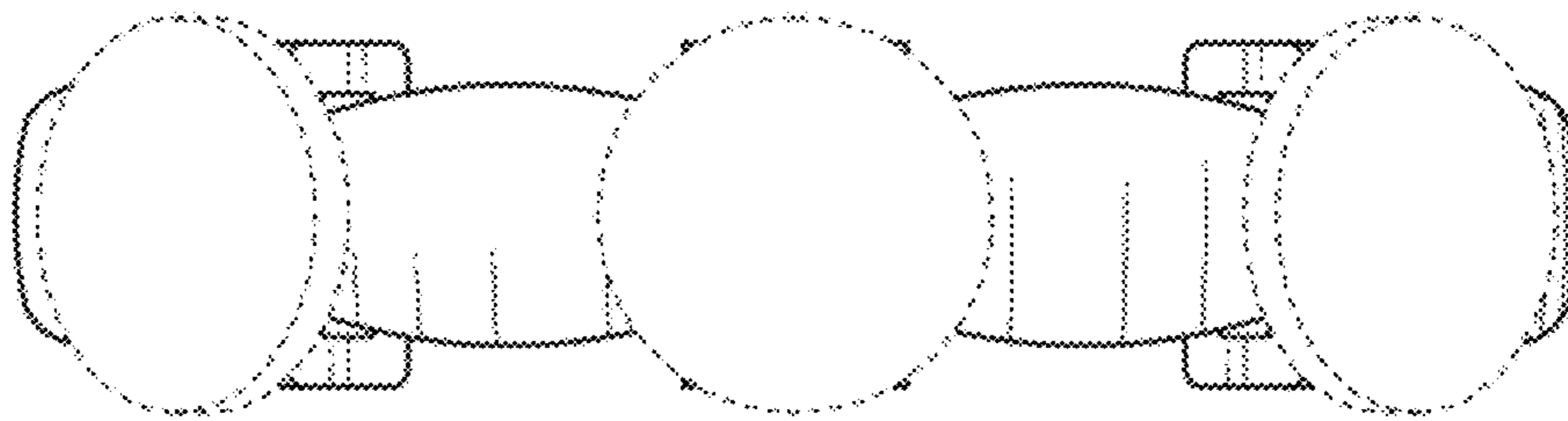


FIG. 4

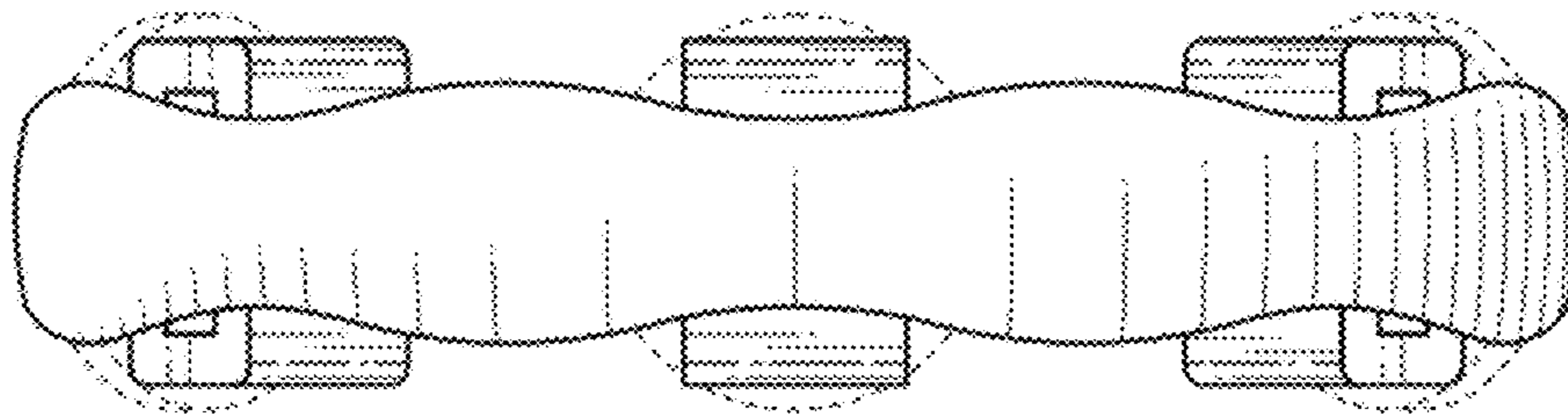


FIG. 5

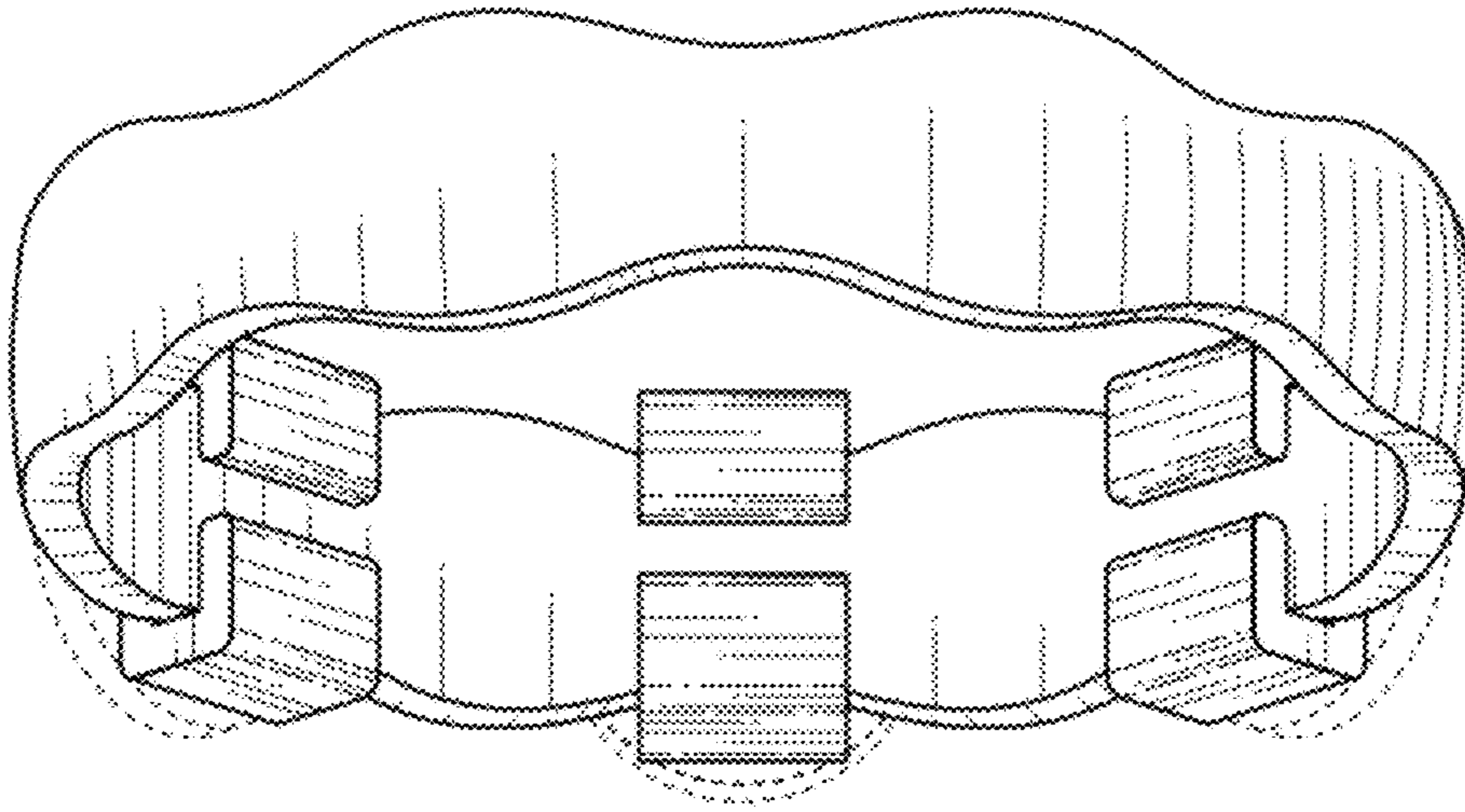


FIG. 6

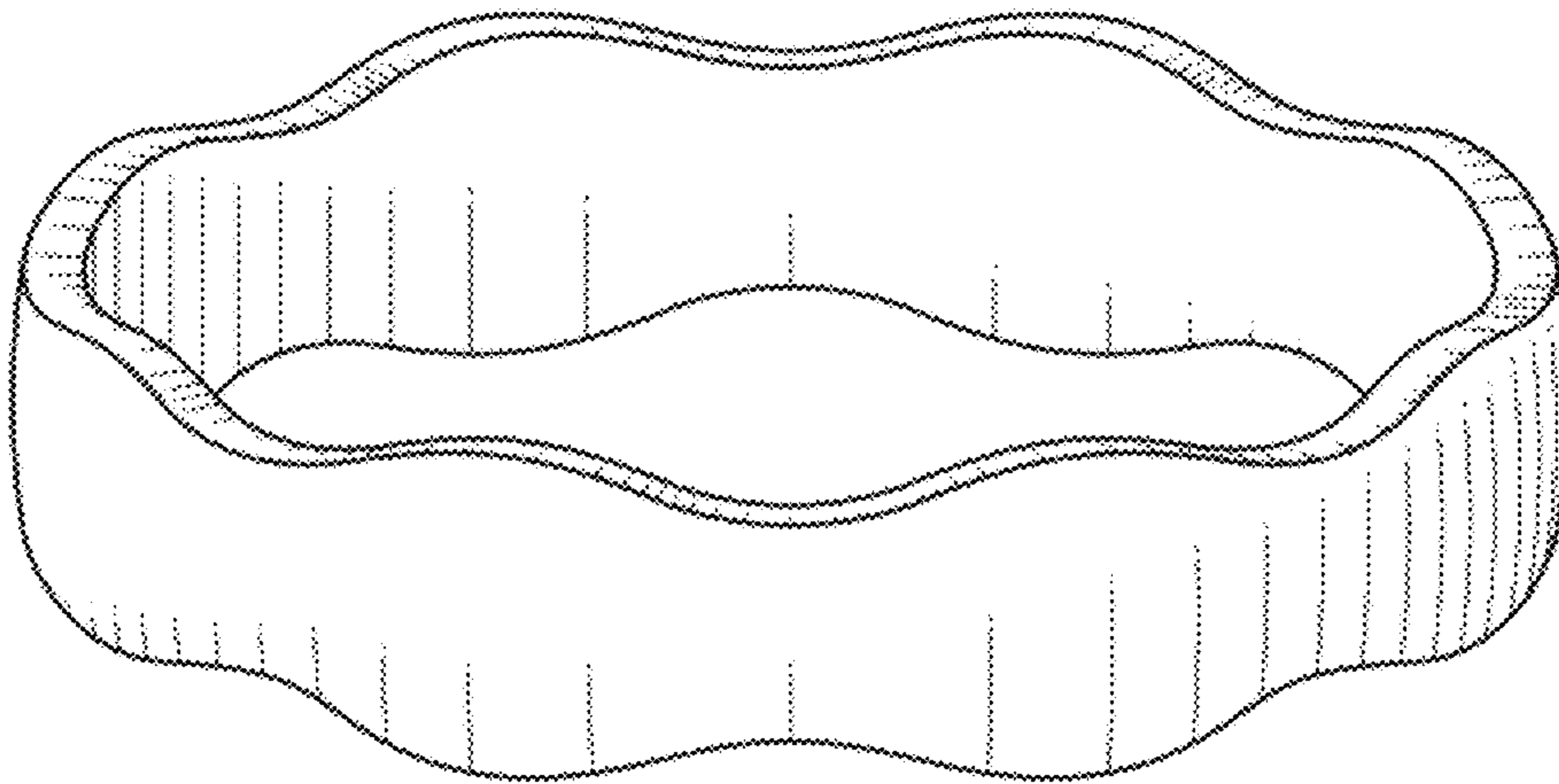


FIG. 7

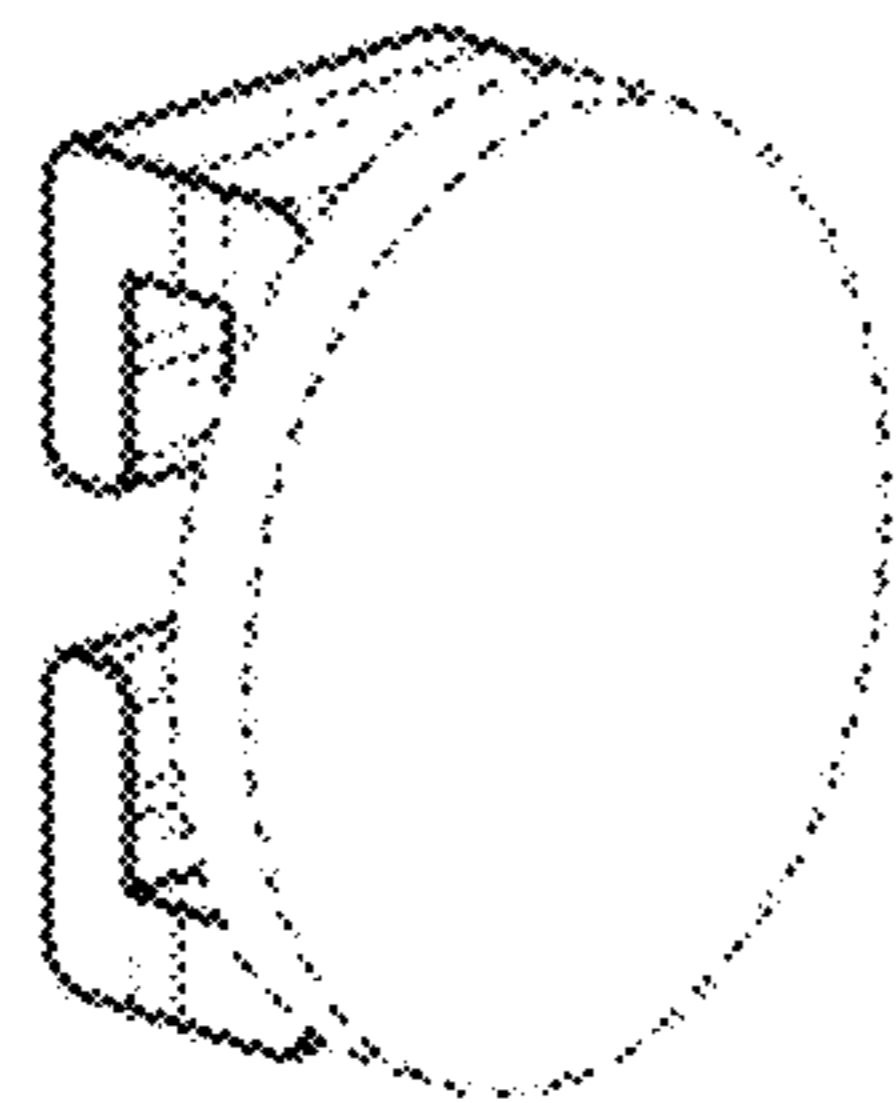


FIG. 8

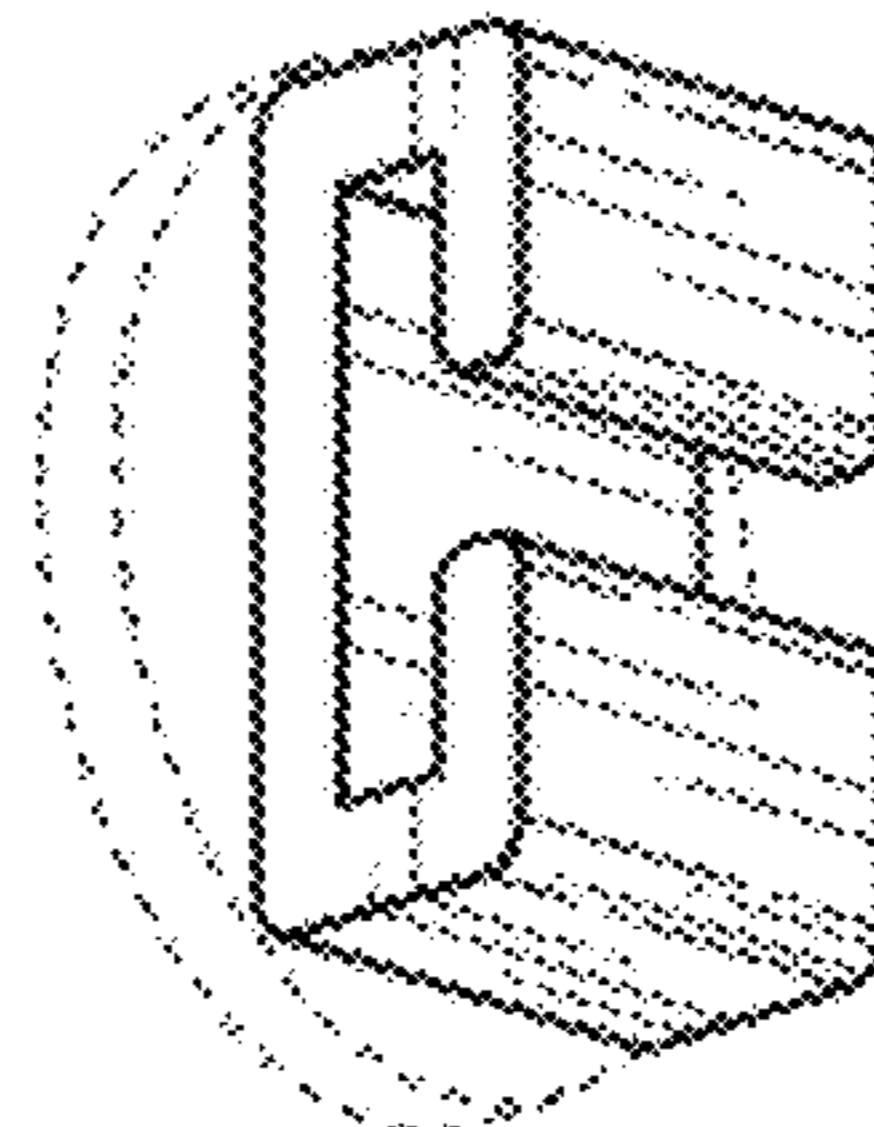


FIG. 9