



US00D821243S

(12) **United States Design Patent**  
**Usadel**

(10) **Patent No.:** **US D821,243 S**  
(45) **Date of Patent:** **\*\* Jun. 26, 2018**

- (54) **WATCH DIAL**
- (71) Applicant: **Lange Uhren GmbH**, Glashutte (DE)
- (72) Inventor: **Philipp Sebastian Usadel**, Dresden (DE)
- (73) Assignee: **Lange Uhren GmbH**, Glashutte (DE)
- (\*\*) Term: **15 Years**
- (21) Appl. No.: **29/586,521**
- (22) Filed: **Dec. 5, 2016**
- (51) **LOC (11) Cl.** ..... **10-07**
- (52) **U.S. Cl.**  
USPC ..... **D10/126**
- (58) **Field of Classification Search**  
USPC ..... D10/1-11, 14-15, 17-19, 20-29, 40-41, D10/44, 46.1, 46.2, 48-53, 56-57, D10/122-132; D20/10-11, 20, 21, D20/28-29, 42, 99; D14/344, 170-171, D14/490, 492; D5/30; D11/116, D11/132-133, 157; D21/531  
CPC ... G04F 1/00; G04F 1/06; G04F 1/063; G04F 7/06; G04F 7/08; G04F 7/0804; G04F 7/0842; G04F 7/0876; G04B 19/00; G04B 19/06; G04B 19/26; G04B 19/24  
See application file for complete search history.

- D649,489 S \* 11/2011 Chastaingt ..... D10/126
- D650,710 S \* 12/2011 Laucella ..... D10/39
- D652,328 S \* 1/2012 Laucella ..... D10/39
- D673,870 S \* 1/2013 de Haas ..... D10/126
- D685,279 S \* 7/2013 de Haas ..... D10/126
- D702,135 S \* 4/2014 Loth ..... D10/32
- D710,730 S \* 8/2014 Delhotal ..... D10/124
- D756,260 S \* 5/2016 Nguyen-Tang ..... D10/126
- D756,261 S \* 5/2016 Nguyen-Tang ..... D10/126
- D759,510 S \* 6/2016 Belamich ..... D10/126
- D773,333 S \* 12/2016 Monachon ..... D10/126
- D792,261 S \* 7/2017 Antifora ..... D10/126
- D795,117 S \* 8/2017 Monachon ..... D10/126

(Continued)

**OTHER PUBLICATIONS**

A. Lange and Sohne 1815 Rattrapante Perpetual Calendar | posted at Hodinkee.com Jan. 30, 2013 Copyright © 2009-2017, Hodinkee Inc. [online][site visited Sep. 13, 2017]. Available from Internet: <<https://www.hodinkee.com/articles/the-lange-1815-rattrapante-perpetual-calendar>>.\*

*Primary Examiner* — Sandra S Snapp  
*Assistant Examiner* — Katherine Glennon  
(74) *Attorney, Agent, or Firm* — Taft Stettinius & Hollister LLP

(57) **CLAIM**

The ornamental design for a watch dial, as shown and described.

**DESCRIPTION**

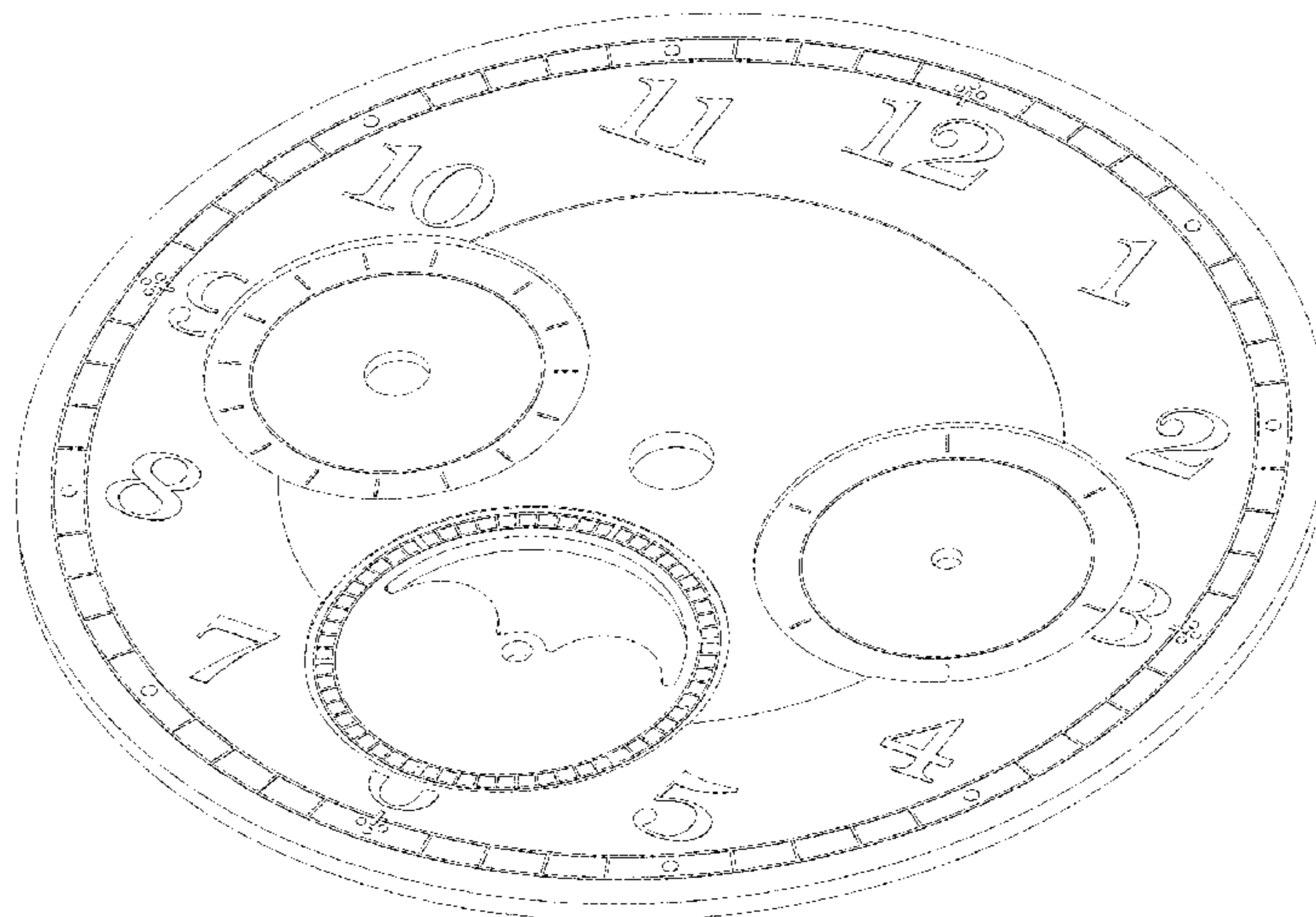
FIG. 1 is a top plan view of a watch dial showing my new design;  
FIG. 2 is a bottom plan view thereof;  
FIG. 3 is a left side elevational view thereof;  
FIG. 4 is a right side elevational view thereof;  
FIG. 5 is a front elevational view thereof;  
FIG. 6 is a rear elevational view thereof; and,  
FIG. 7 is a right, top perspective view thereof.

**1 Claim, 7 Drawing Sheets**

(56) **References Cited**

**U.S. PATENT DOCUMENTS**

- 239,643 A \* 4/1881 Bitner ..... G04B 19/06 368/232
- D56,422 S \* 10/1920 Goodrow ..... D10/1
- 4,766,579 A \* 8/1988 Sporning ..... G04B 19/25 368/15
- D524,182 S \* 7/2006 Nataf ..... D10/126
- D583,697 S \* 12/2008 Tripet ..... D10/126
- D584,644 S \* 1/2009 De Givenchy ..... D10/39
- D625,213 S \* 10/2010 Vaptzarof ..... D10/126
- D628,507 S \* 12/2010 Plange ..... D10/126



(56)

**References Cited**

U.S. PATENT DOCUMENTS

2005/0281136	A1 *	12/2005	Wilmouth .....	G04B 19/241 368/28
2012/0182838	A1 *	7/2012	Farron .....	G04B 27/026 368/18
2013/0176827	A1 *	7/2013	Zaugg .....	G04B 19/262 368/15
2015/0346689	A1 *	12/2015	Rebetez .....	G04B 19/253 368/35

\* cited by examiner

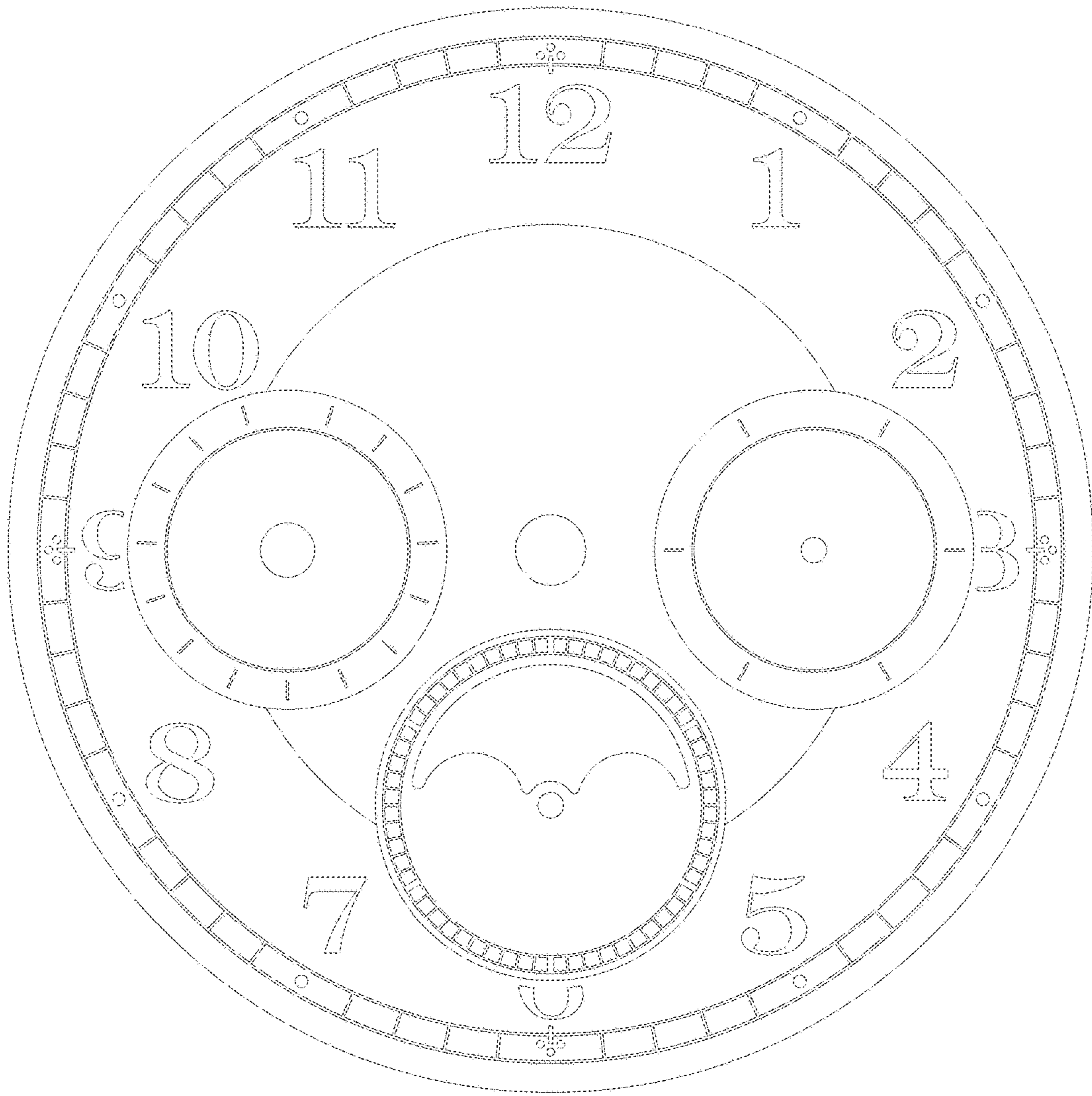


Fig. 1

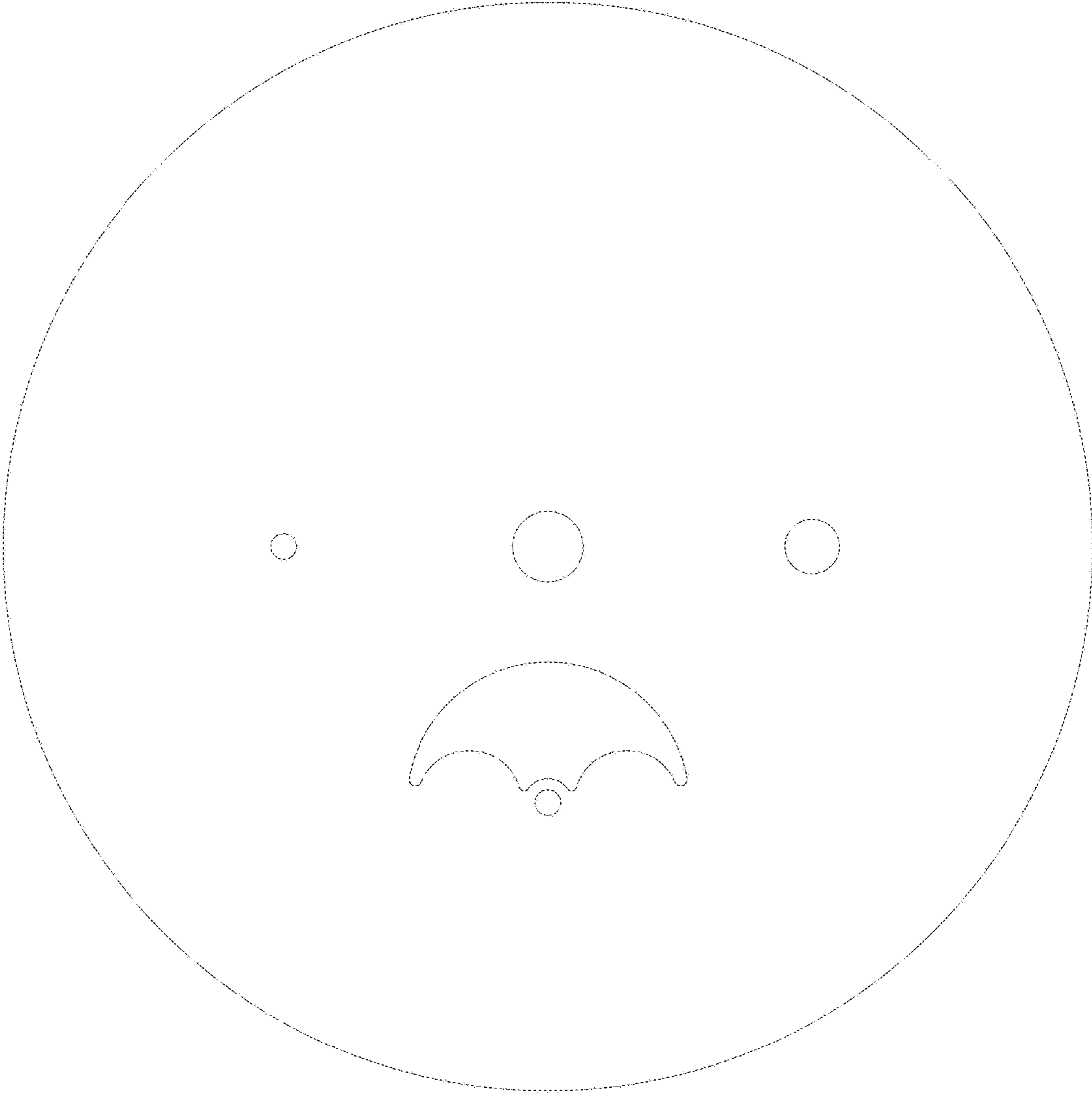


Fig. 2

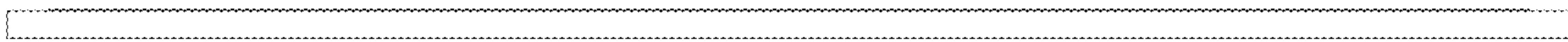


Fig. 3

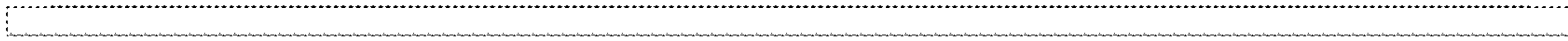


Fig. 4

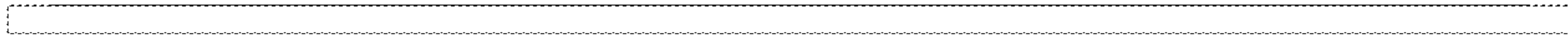


Fig. 5

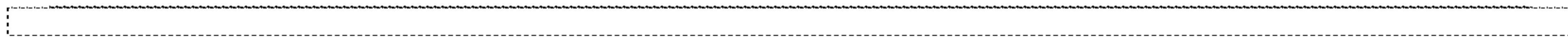


Fig. 6



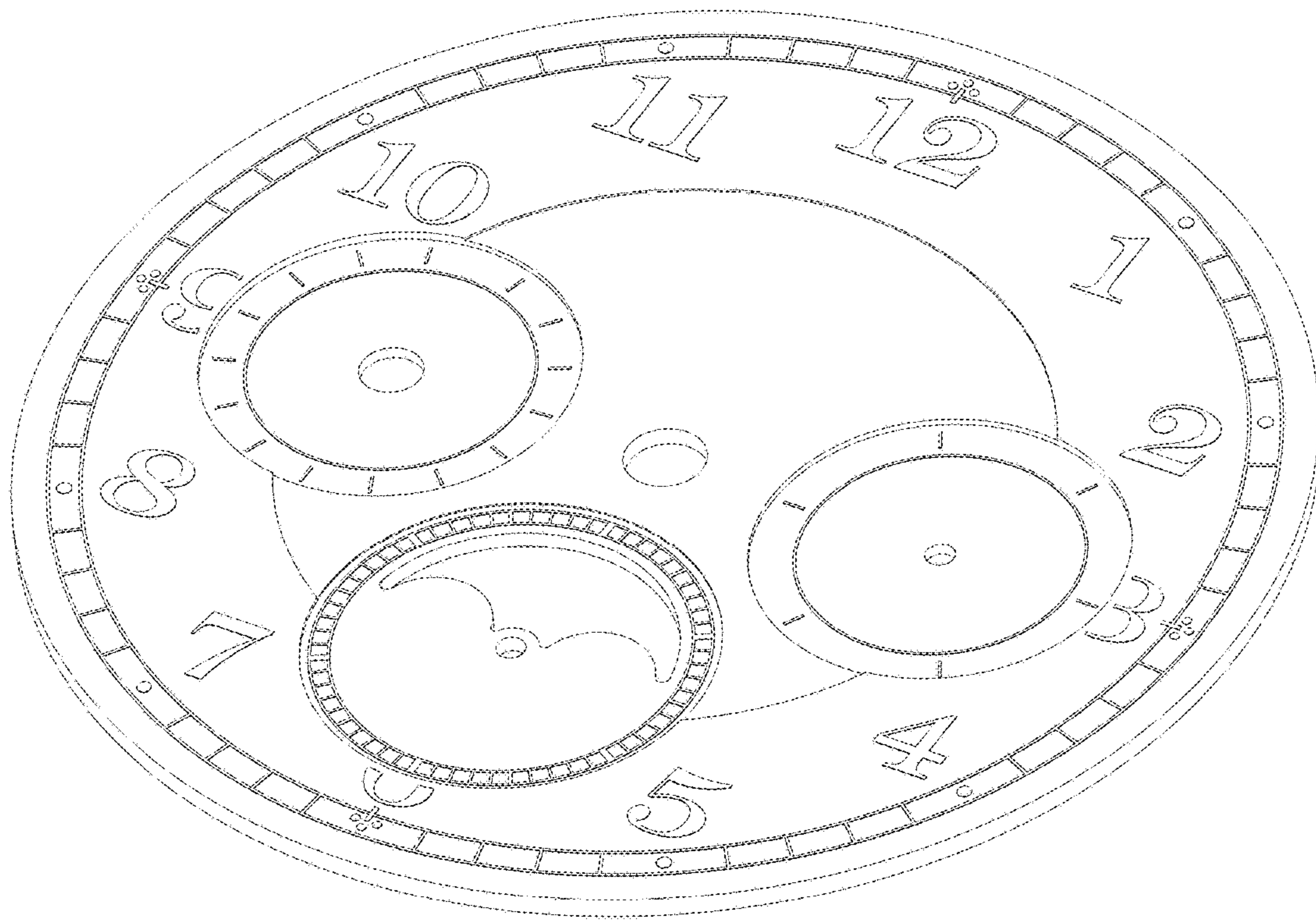


Fig. 7