



US00D821242S

(12) **United States Design Patent**
Krishnaswamy

(10) **Patent No.:** **US D821,242 S**
(45) **Date of Patent:** **** Jun. 26, 2018**

(54) **BACKUP ALARM**

(71) Applicant: **Ramasamy Krishnaswamy,**
Coimbatore (IN)

(72) Inventor: **Ramasamy Krishnaswamy,**
Coimbatore (IN)

(**) Term: **15 Years**

(21) Appl. No.: **29/540,222**

(22) Filed: **Sep. 22, 2015**

(30) **Foreign Application Priority Data**

Jul. 13, 2015 (IN) 273530

(51) **LOC (11) Cl.** **10-05**

(52) **U.S. Cl.**
USPC **D10/120**

(58) **Field of Classification Search**
USPC D10/106.1, 116.1, 120
See application file for complete search history.

(56) **References Cited**

U.S. PATENT DOCUMENTS

- D279,965 S * 8/1985 Mikami D10/120
- D345,317 S * 3/1994 Issa D10/120
- D347,596 S * 6/1994 Jackson D10/106.1

- D452,454 S * 12/2001 Bekasi D10/120
- D485,201 S * 1/2004 Corrigan D10/120
- D513,200 S * 12/2005 Lai D10/120
- D513,599 S * 1/2006 Coward D10/120
- D513,709 S * 1/2006 Coward D10/120
- D514,010 S * 1/2006 Corrigan D10/120
- D514,466 S * 2/2006 Lai D10/120
- D514,973 S * 2/2006 Coward D10/120
- D516,448 S * 3/2006 Lai D10/120
- D798,758 S * 10/2017 Krishnaswamy D10/120

* cited by examiner

Primary Examiner — George D. Kirschbaum
(74) *Attorney, Agent, or Firm* — Whitham, Curtis & Cook, P.C.

(57) **CLAIM**

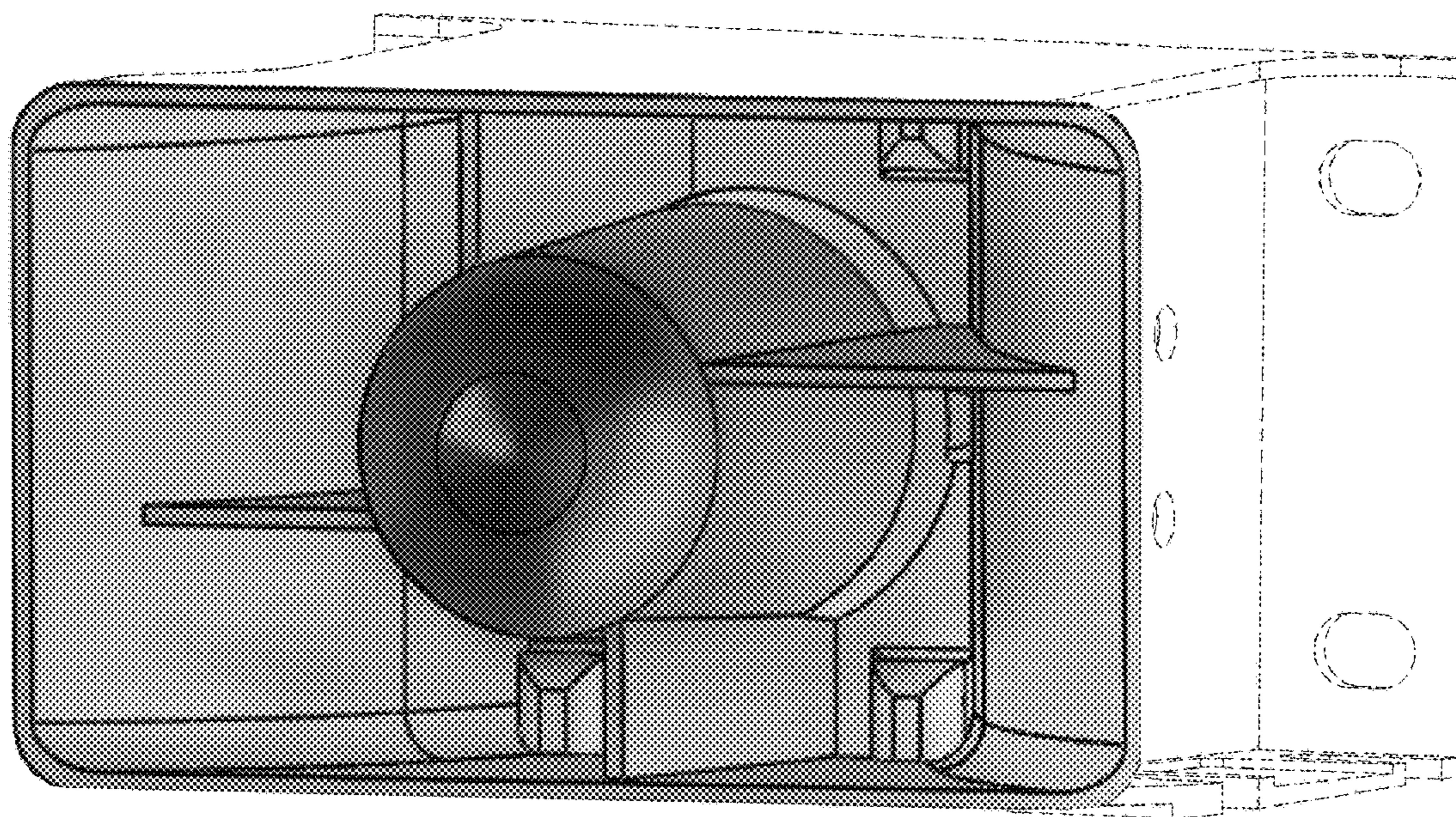
I claim the ornamental design for a backup alarm, as shown and described.

DESCRIPTION

FIG. 1 is a perspective view of the front of a backup alarm; FIG. 2 is another perspective view of the front of the backup alarm; and,

FIG. 3 is a front plan view of the backup alarm. The broken lines illustrate portions of the article which form no part of the claimed design. The external rear, left, right, top, and bottom sides of the backup alarm form no part of the claimed design.

1 Claim, 3 Drawing Sheets



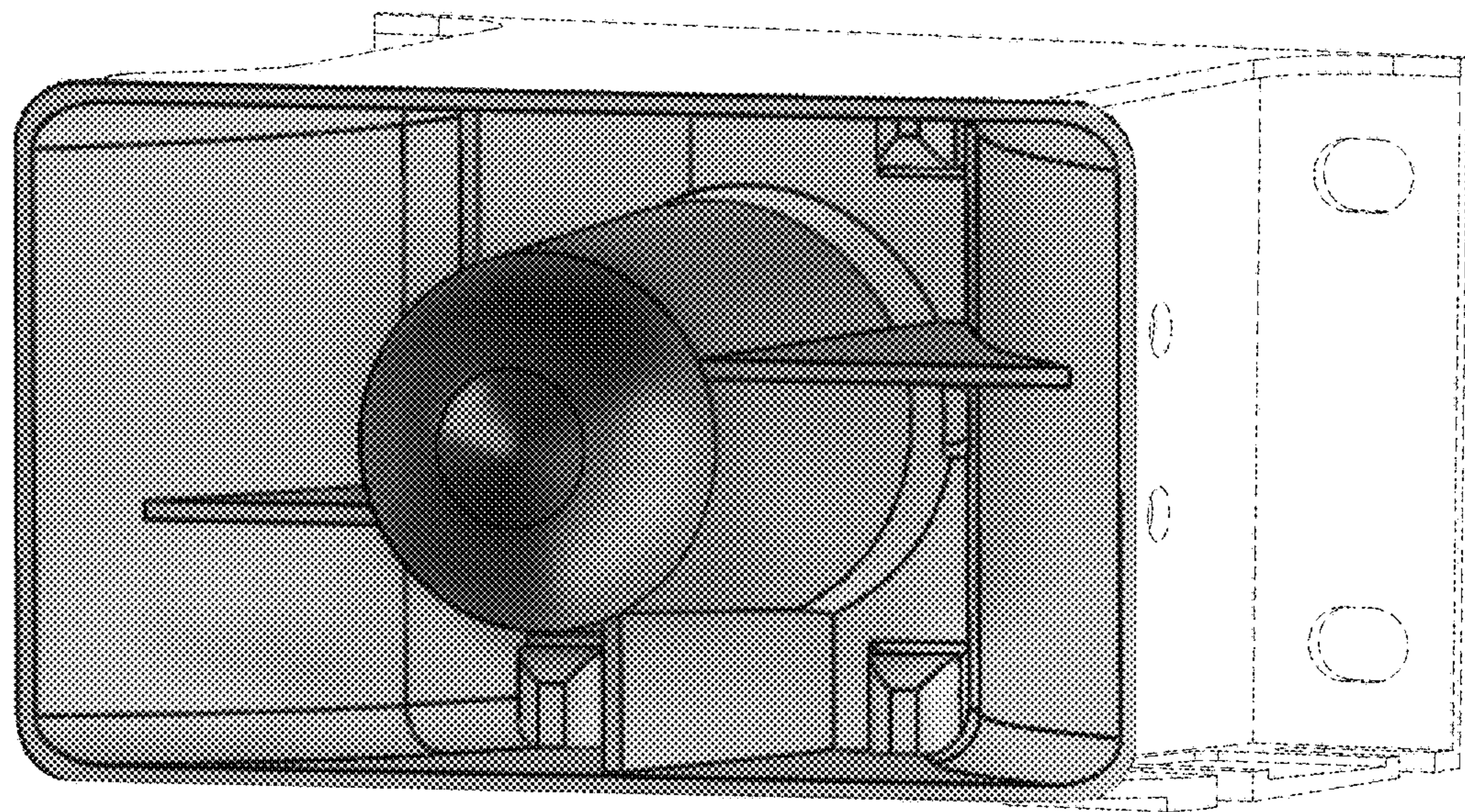


Figure 1

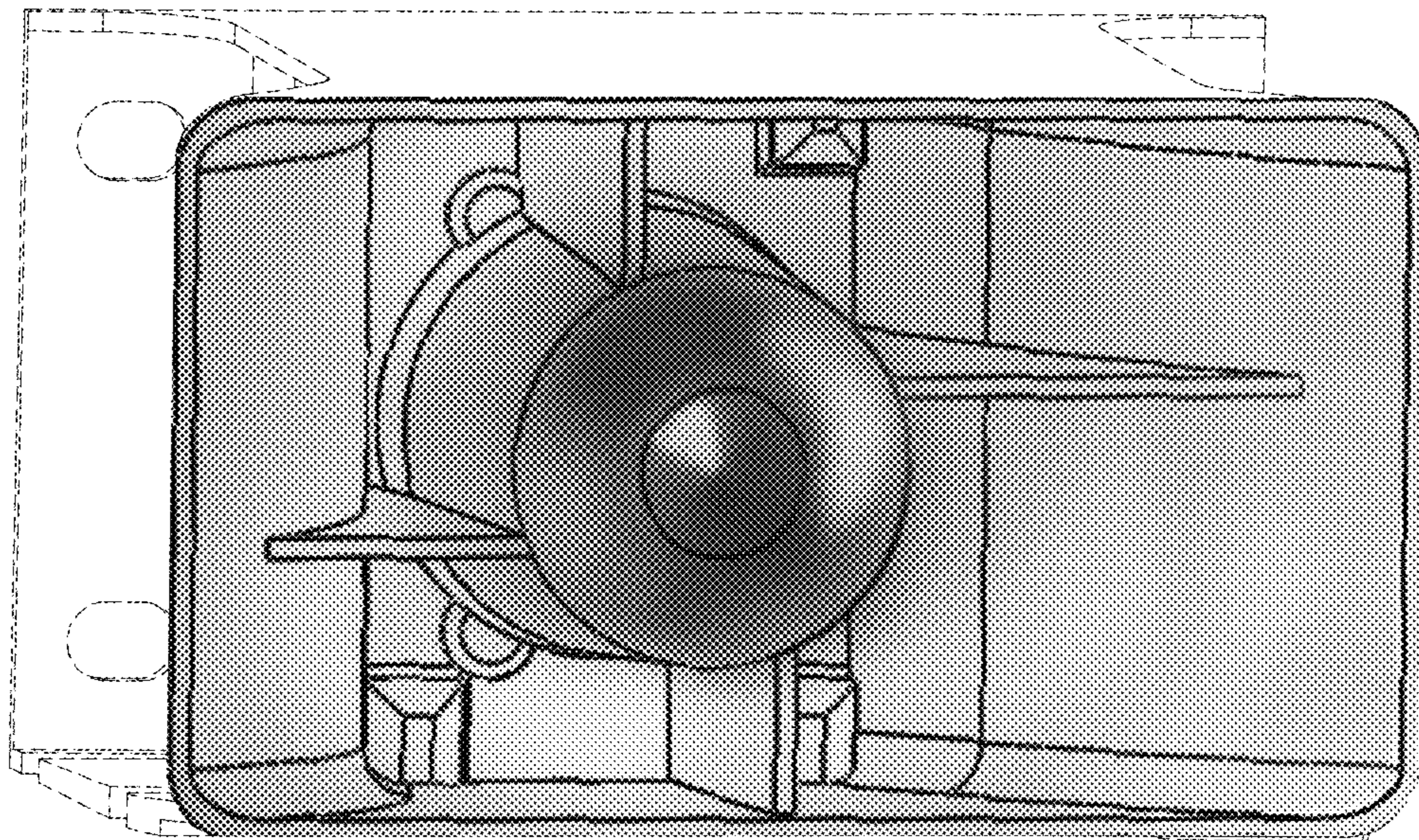


Figure 2

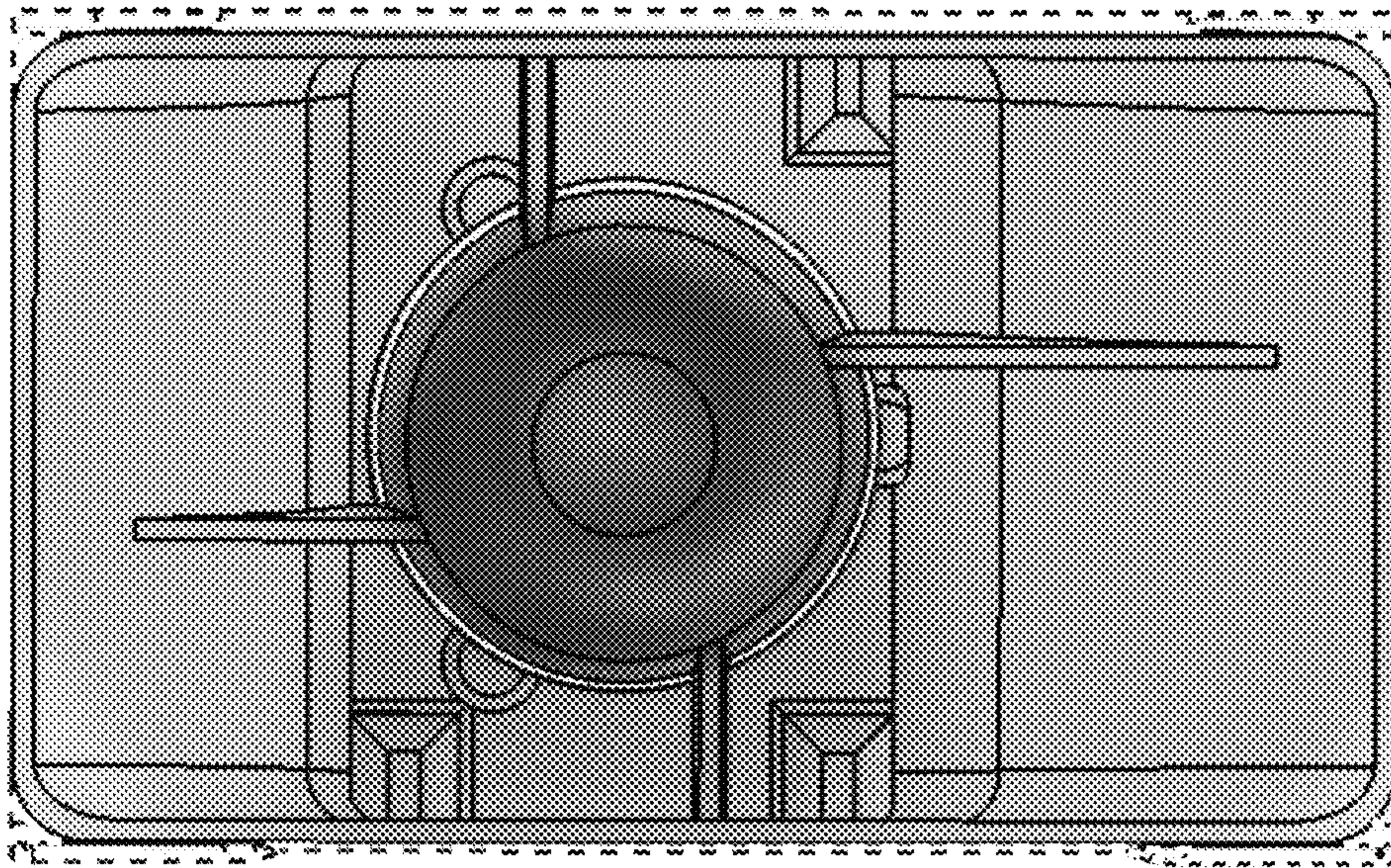


Figure 3