



US00D821239S

(12) **United States Design Patent**  
**Tong et al.**

(10) **Patent No.:** **US D821,239 S**  
(45) **Date of Patent:** **\*\* Jun. 26, 2018**

(54) **LED LIGHT BAR**

(71) Applicant: **NINGBO ZHONGXIN ELECTRONIC TECHNOLOGY CO., LTD.**, Ningbo (CN)

(72) Inventors: **Mingkui Tong**, Shaoxing (CN); **Beiwen Gong**, Loudi (CN)

(\*\*) Term: **15 Years**

(21) Appl. No.: **29/597,473**

(22) Filed: **Mar. 17, 2017**

(51) **LOC (11) Cl.** ..... **10-05**

(52) **U.S. Cl.**  
USPC ..... **D10/114.4**

(58) **Field of Classification Search**  
USPC ..... D10/104.1, 109.1, 109.2, 110, 111,  
D10/114.1–114.8; D26/28, 35, 36, 102,  
D26/104, 118, 120, 122  
CPC ..... F21W 2101/02; F21W 2101/10; F21W  
2101/14

See application file for complete search history.

(56) **References Cited**

**U.S. PATENT DOCUMENTS**

D653,783 S \* 2/2012 Biro ..... D26/31  
D656,258 S \* 3/2012 Georgitsis ..... B60Q 1/0483  
D26/31  
D676,990 S \* 2/2013 Adams ..... D26/31  
D713,574 S \* 9/2014 Adams ..... D26/31  
D729,677 S \* 5/2015 Aho ..... D10/114.4

D740,473 S \* 10/2015 Chen ..... D26/35  
D750,820 S \* 3/2016 Packard ..... D26/31  
D751,442 S \* 3/2016 Lv ..... D10/114.4  
D776,314 S \* 1/2017 Aho ..... D10/114.4  
D804,068 S \* 11/2017 Gong ..... D26/31  
D804,069 S \* 11/2017 Gong ..... D26/31  
D807,550 S \* 1/2018 Tong ..... D26/35  
2013/0278139 A1 \* 10/2013 Sievers ..... H05B 33/0821  
315/77

\* cited by examiner

*Primary Examiner* — George D Kirschbaum

*Assistant Examiner* — Joseph J Kukella

(74) *Attorney, Agent, or Firm* — Wayne & Ken, LLC;  
Tony Hom

(57) **CLAIM**

The ornamental design for an LED light bar, as shown.

**DESCRIPTION**

FIG. 1 is a front view of an LED light bar showing my new design;

FIG. 2 is a back view thereof;

FIG. 3 is a left view thereof;

FIG. 4 is a right view thereof;

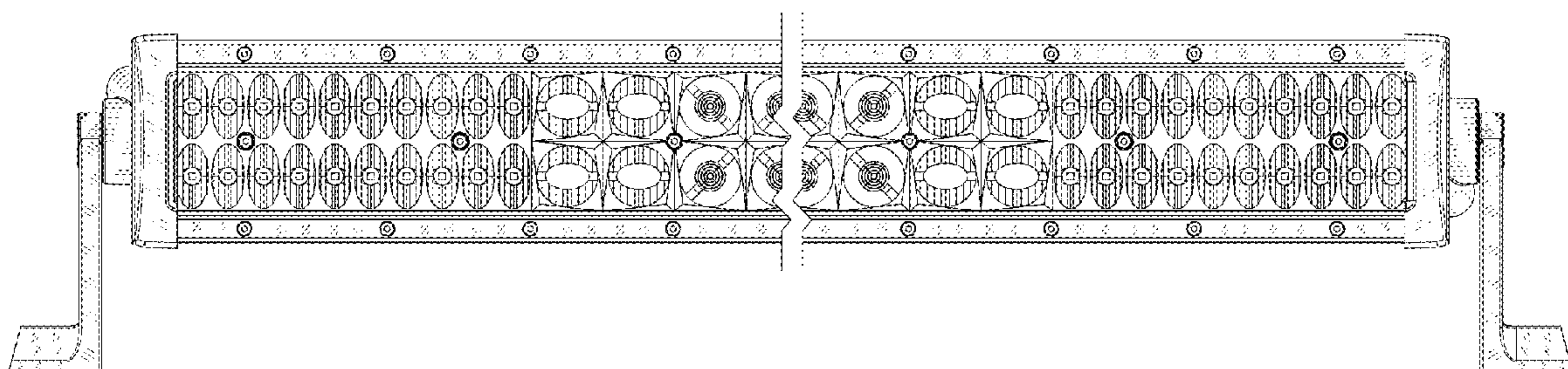
FIG. 5 is a top view thereof;

FIG. 6 is a bottom view thereof; and,

FIG. 7 is a perspective view thereof.

The LED light bar is shown with a symbolic break in its length. The appearance of any portion of the article between the break lines forms no part of the claimed design.

**1 Claim, 7 Drawing Sheets**



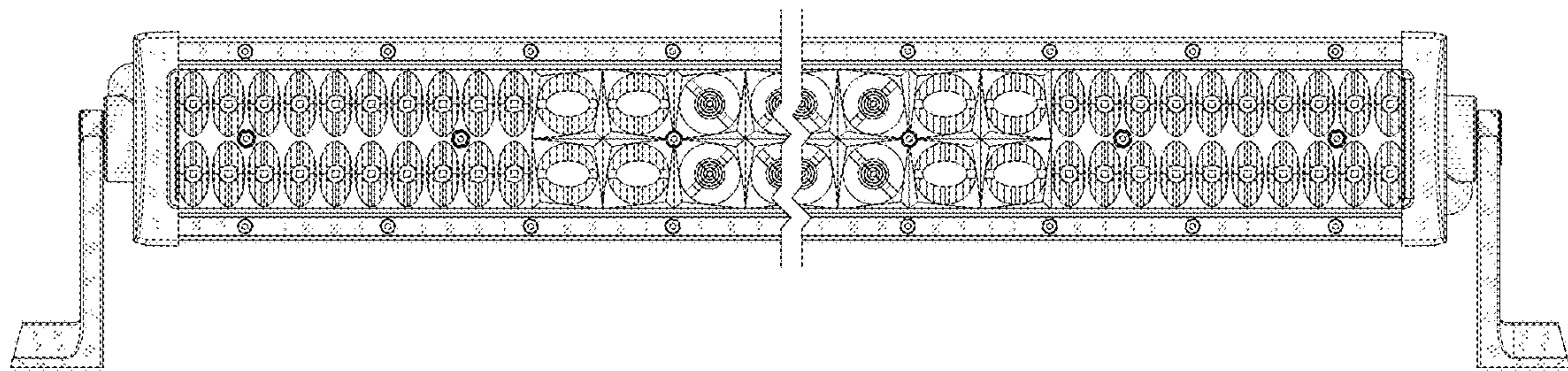


Fig. 1

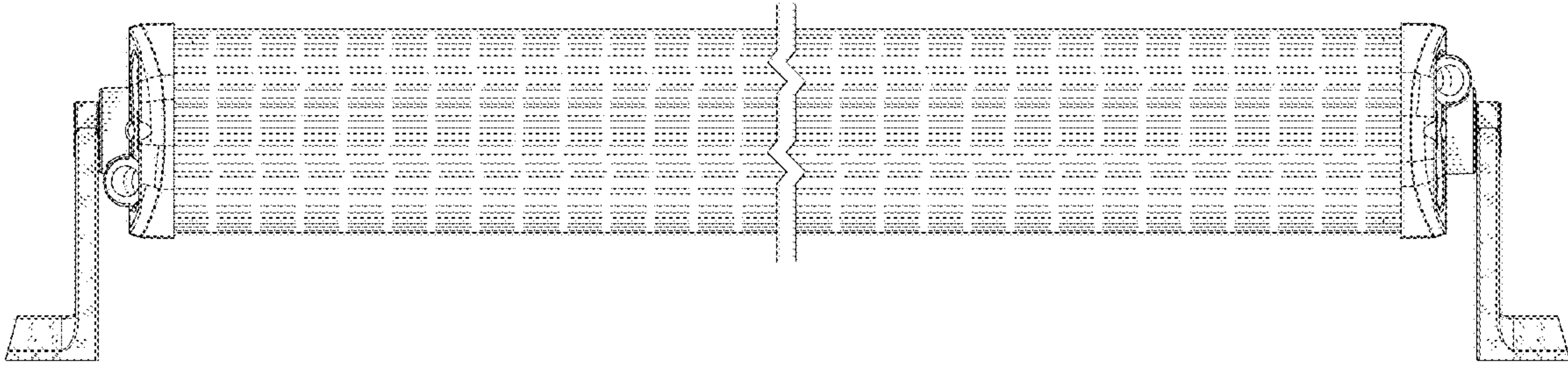


Fig. 2

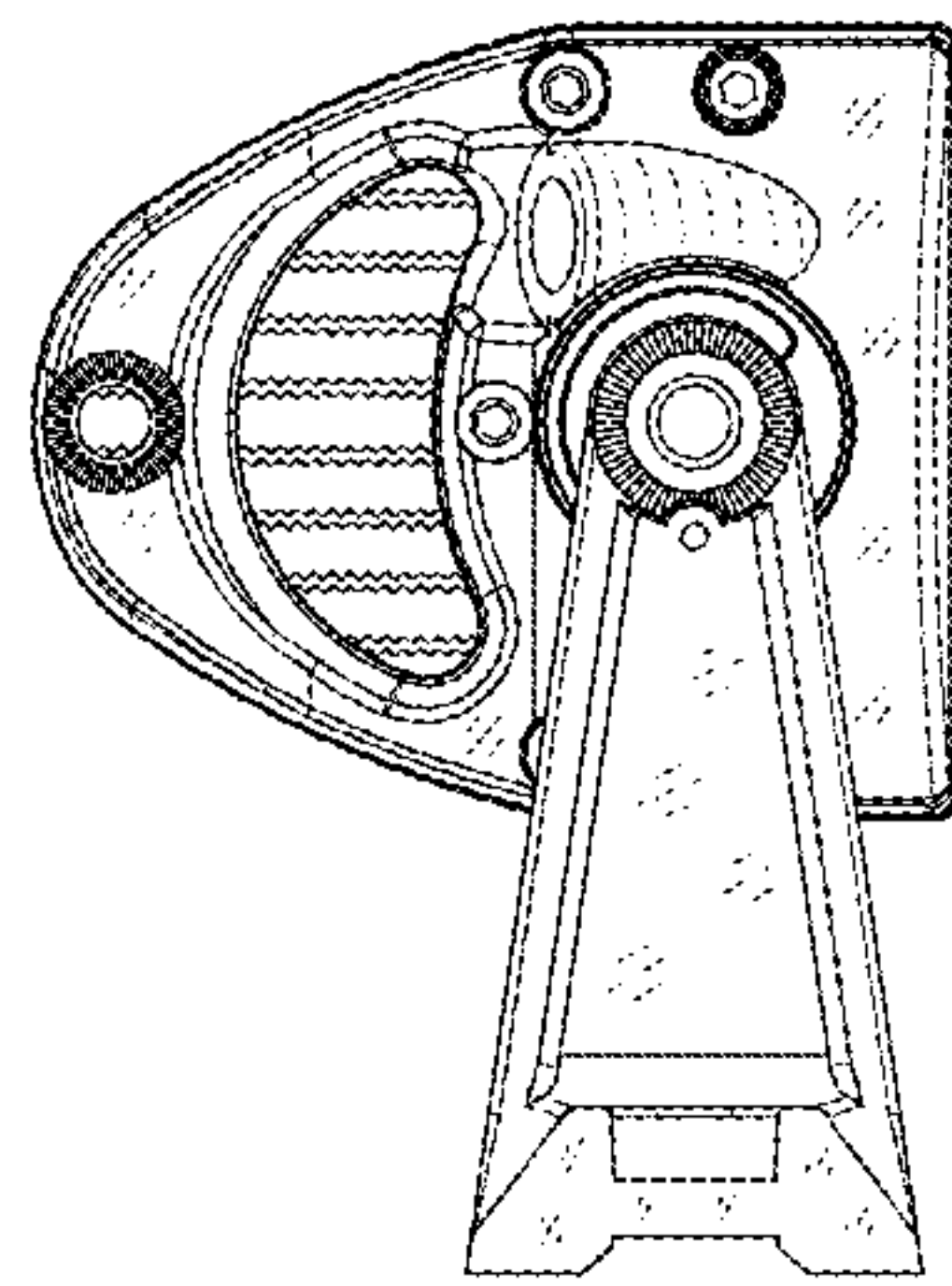


Fig. 3

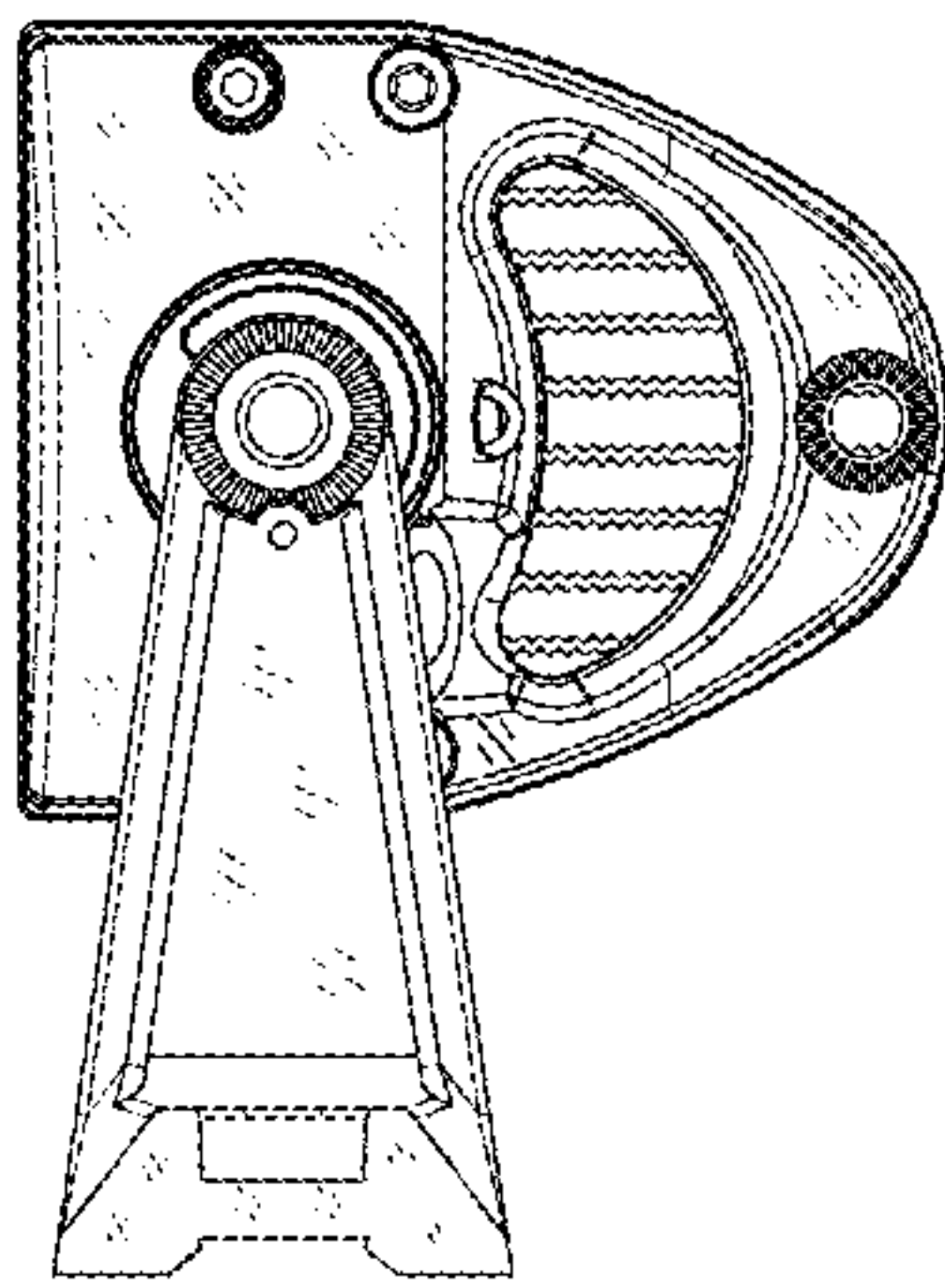


Fig. 4

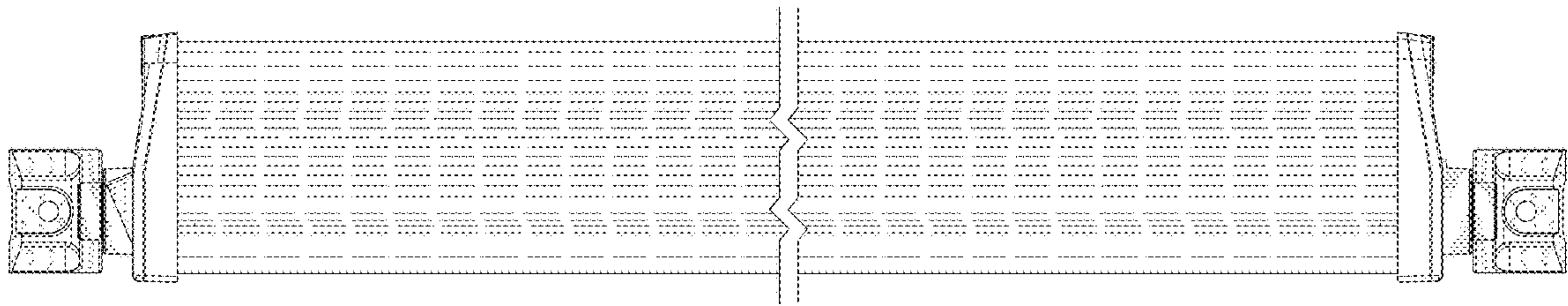


Fig. 5



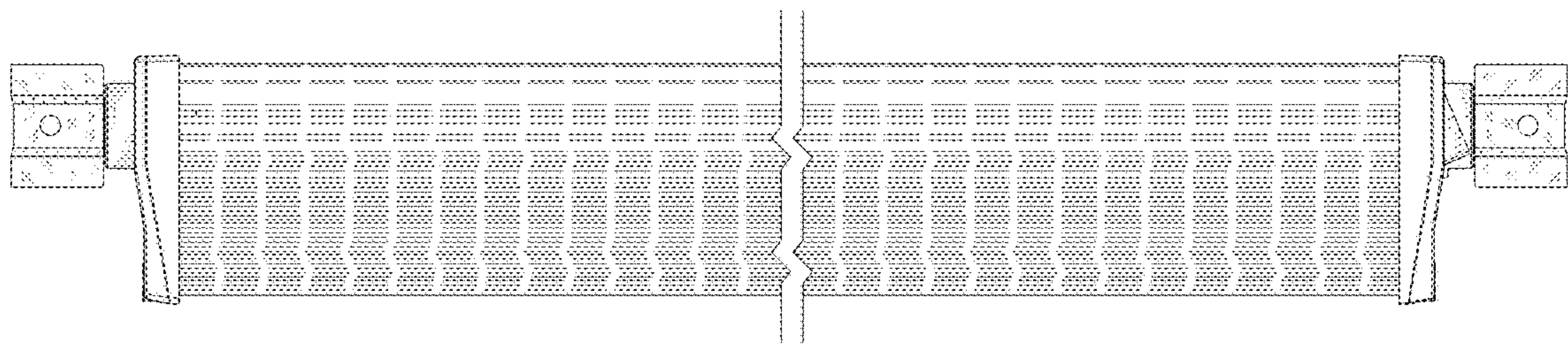


Fig. 6

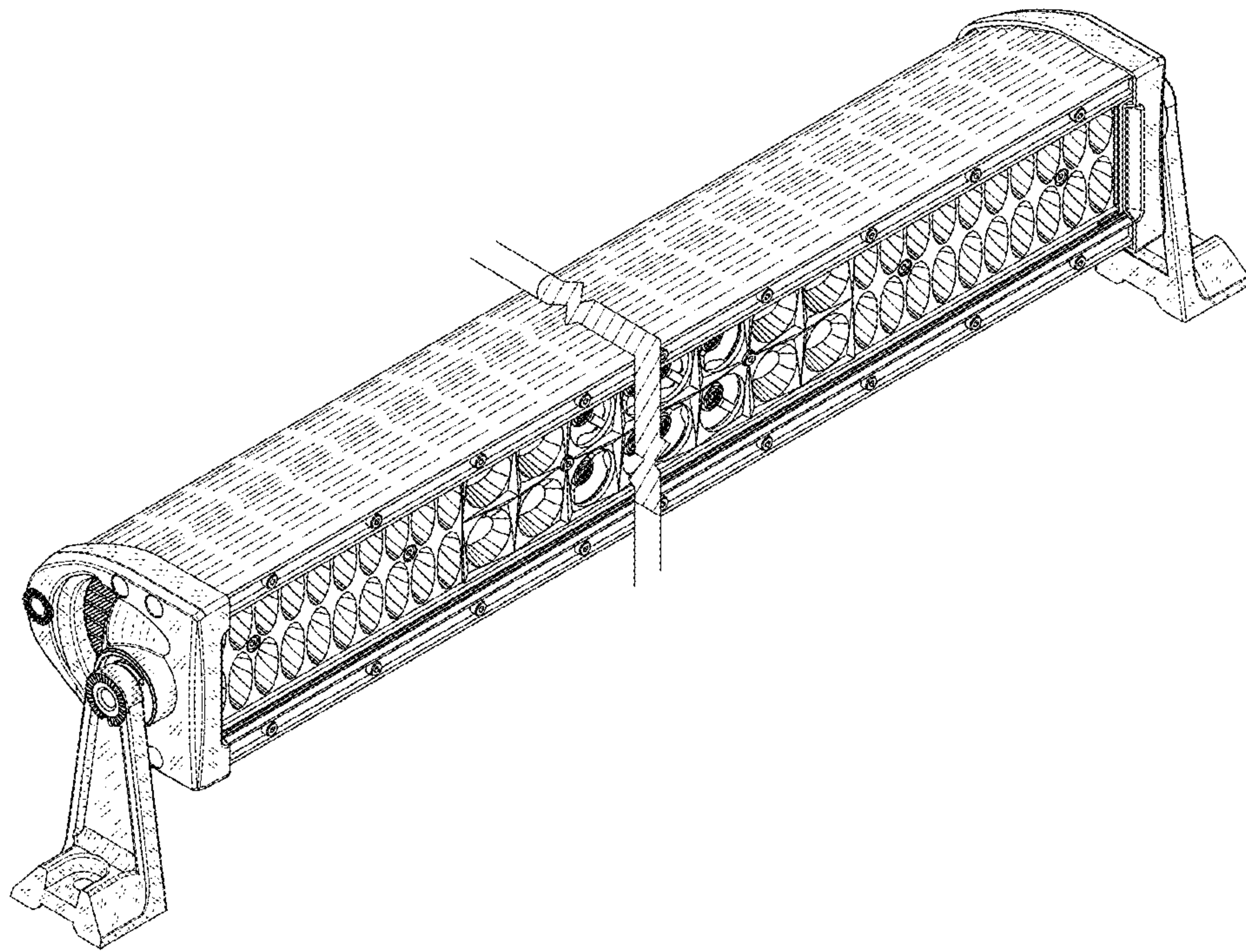


Fig. 7