



US00D821237S

(12) **United States Design Patent** (10) **Patent No.:** **US D821,237 S**
Hwang et al. (45) **Date of Patent:** **** Jun. 26, 2018**

(54) **VEHICLE TIRE PRESSURE MONITORING SYSTEM**

(71) Applicant: **LUMILEDS HOLDING B.V.**, Amsterdam (NL)
(72) Inventors: **Yong Jun Hwang**, Amsterdam (NL); **Gao Jie Yu**, Amsterdam (NL); **Bill Guo**, Amsterdam (NL); **Hai Ying Wang**, Amsterdam (NL); **Xiao Fang Mo**, Amsterdam (NL); **Xiang Long Gao**, Amsterdam (NL); **Elie Cai**, Amsterdam (NL)

(73) Assignee: **Lumileds Holding B.V.**, Amsterdam (NL)

(**) Term: **15 Years**

(21) Appl. No.: **35/502,498**

(22) Filed: **Aug. 1, 2016**

(80) **Hague Agreement Data**

Int. Filing Date: **Aug. 1, 2016**
Int. Reg. No.: **DM/094715**
Int. Reg. Date: **Aug. 1, 2016**
Int. Reg. Pub. Date: **Feb. 24, 2017**

(30) **Foreign Application Priority Data**

Apr. 28, 2016 (EM) 003098086-0001

(51) **LOC (11) Cl.** **10-04**

(52) **U.S. Cl.**
USPC **D10/86**

(58) **Field of Classification Search**
USPC D10/15, 24, 40, 86; D24/192
CPC G01L 19/14
See application file for complete search history.

(56) **References Cited**

U.S. PATENT DOCUMENTS

D275,082 S * 8/1984 Goodin D10/15
D366,846 S * 2/1996 Handfield D10/86
D488,393 S * 4/2004 Hsu D10/40
D528,027 S * 9/2006 Hung D10/86
D693,472 S * 11/2013 Huiner D24/192
D710,715 S * 8/2014 Bianco D10/24
D739,773 S * 9/2015 Kanenari D10/86
D780,603 S * 3/2017 Chism D10/40
2010/0224005 A1 * 9/2010 Chen G01L 19/14
73/756

FOREIGN PATENT DOCUMENTS

JP 1311309 S 8/2007

OTHER PUBLICATIONS

Notice of Allowance issued by Taiwan Intellectual Property Office in corresponding Taiwanese application No. 105306453, dated Mar. 16, 2017.

* cited by examiner

Primary Examiner — George D. Kirschbaum

(74) *Attorney, Agent, or Firm* — Baker & McKenzie LLP

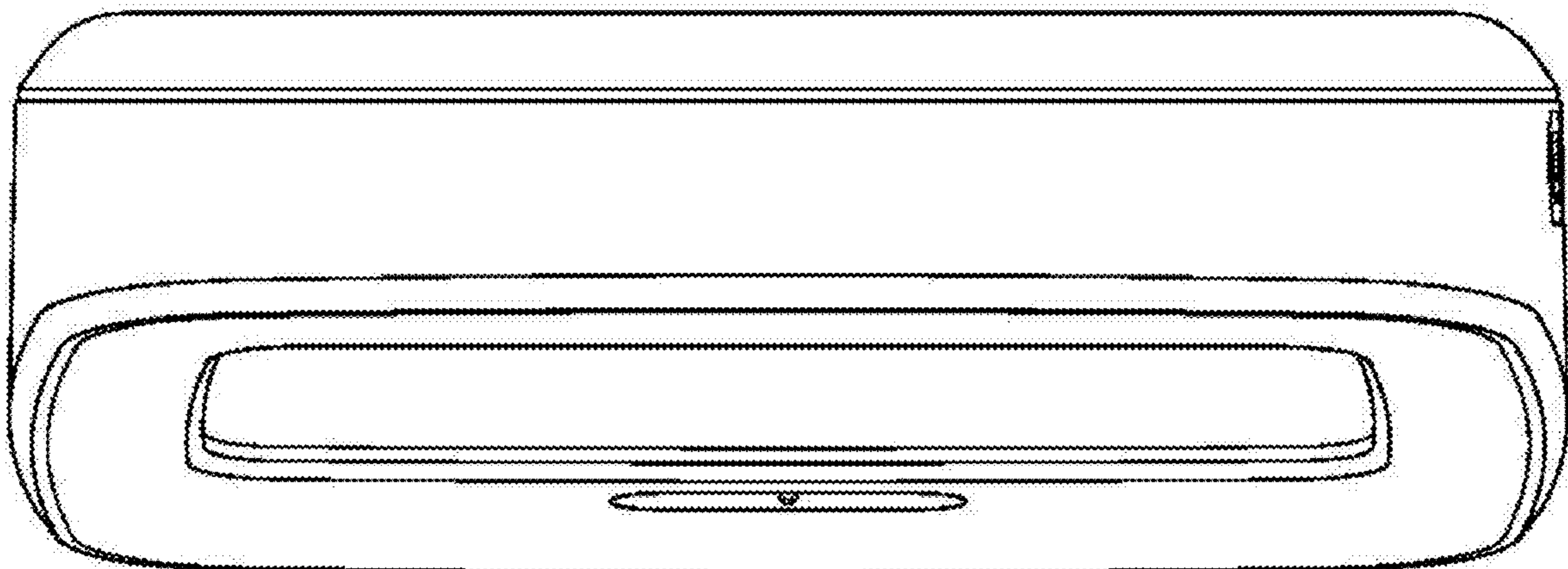
(57) **CLAIM**

The ornamental design for a vehicle tire pressure monitoring system, as shown and described.

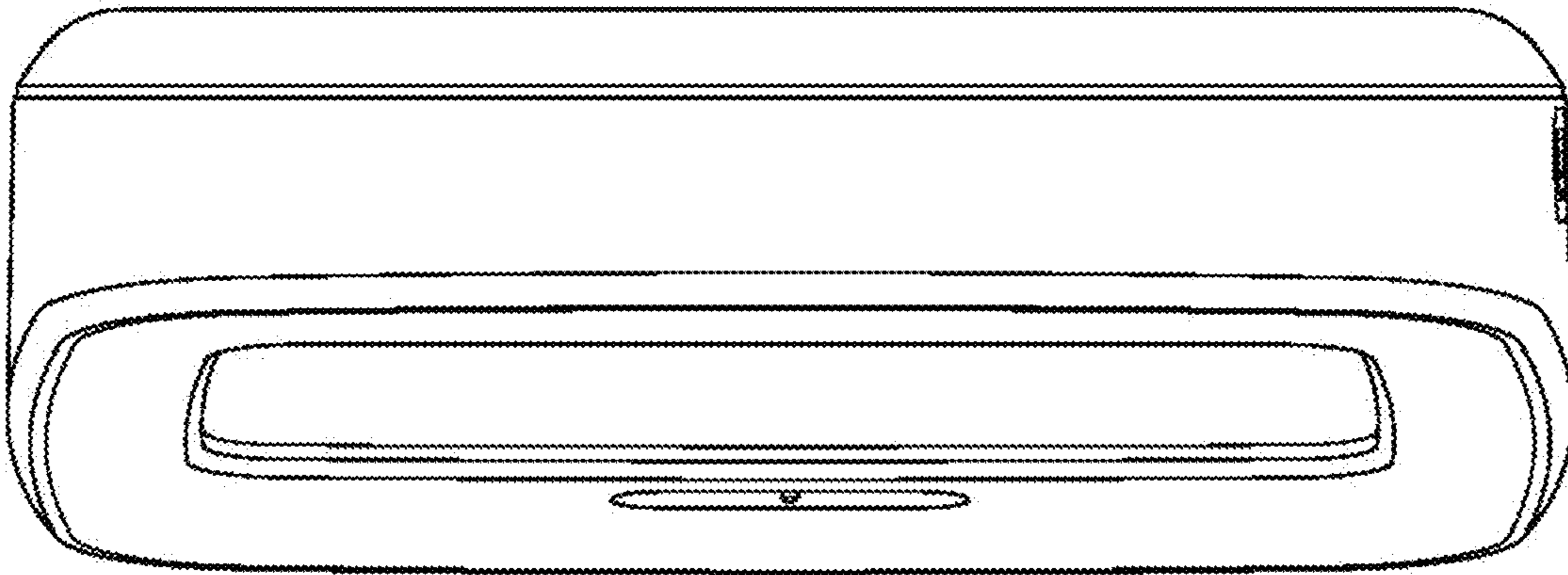
DESCRIPTION

- 1. Vehicle tire pressure monitoring system
- 1.1 is a perspective view.
- 1.2 is a side view.
- 1.3 is a front view.
- 1.4 is a side view.
- 1.5 is a left side view.
- 1.6 is a top view.
- 1.7 is a bottom view.

1 Claim, 7 Drawing Sheets



1.1



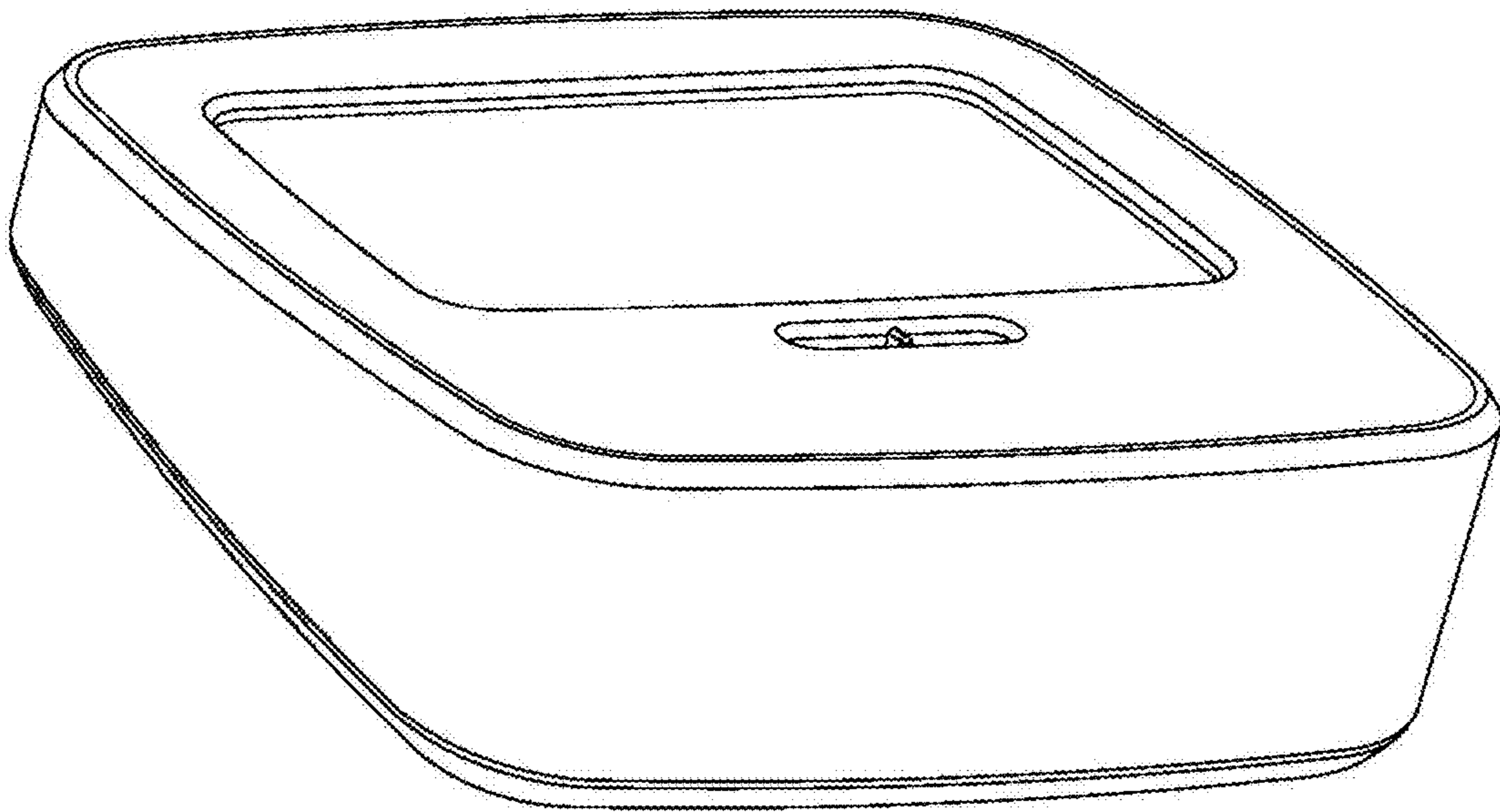
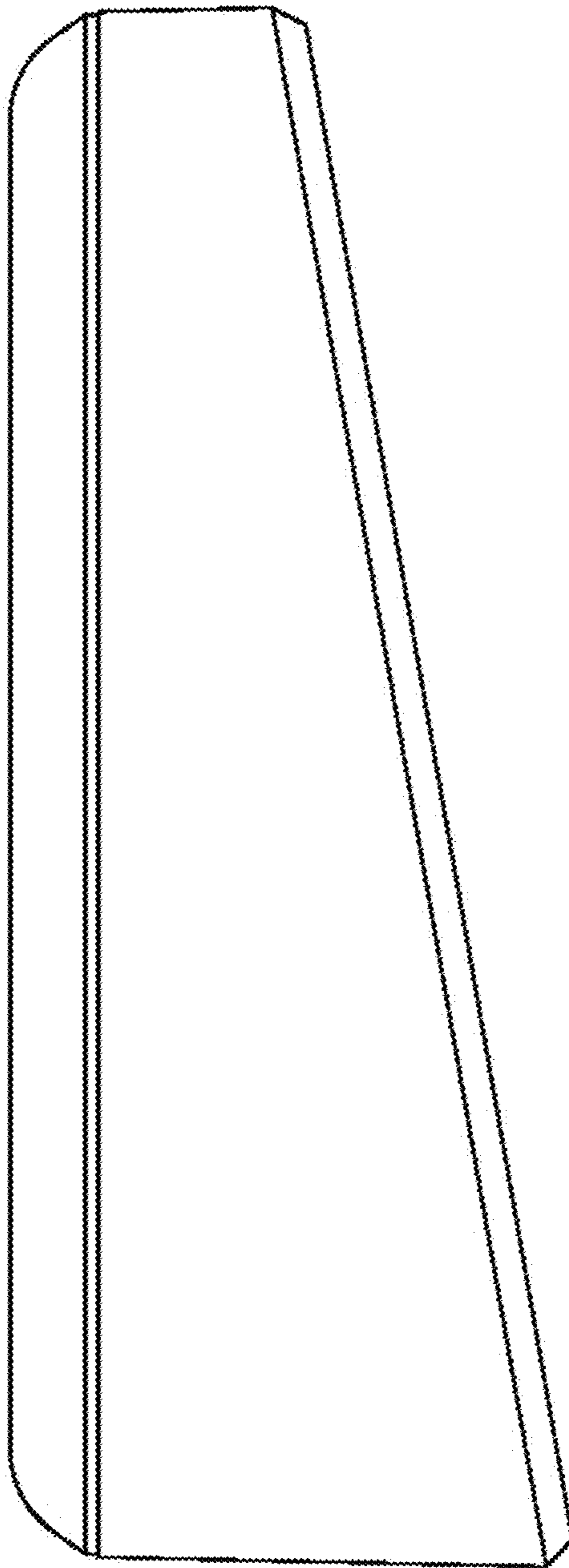
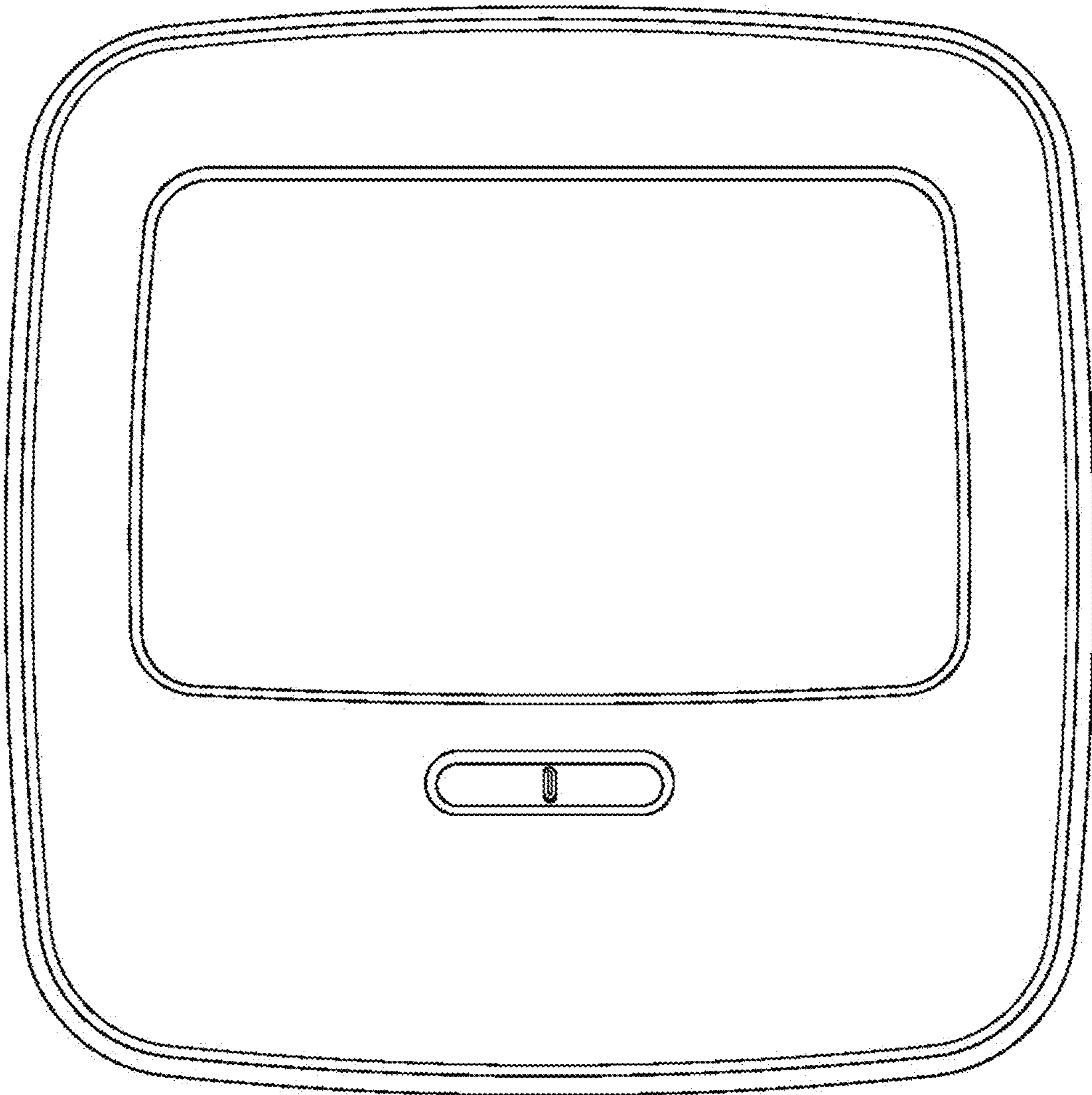


FIG. 1.2

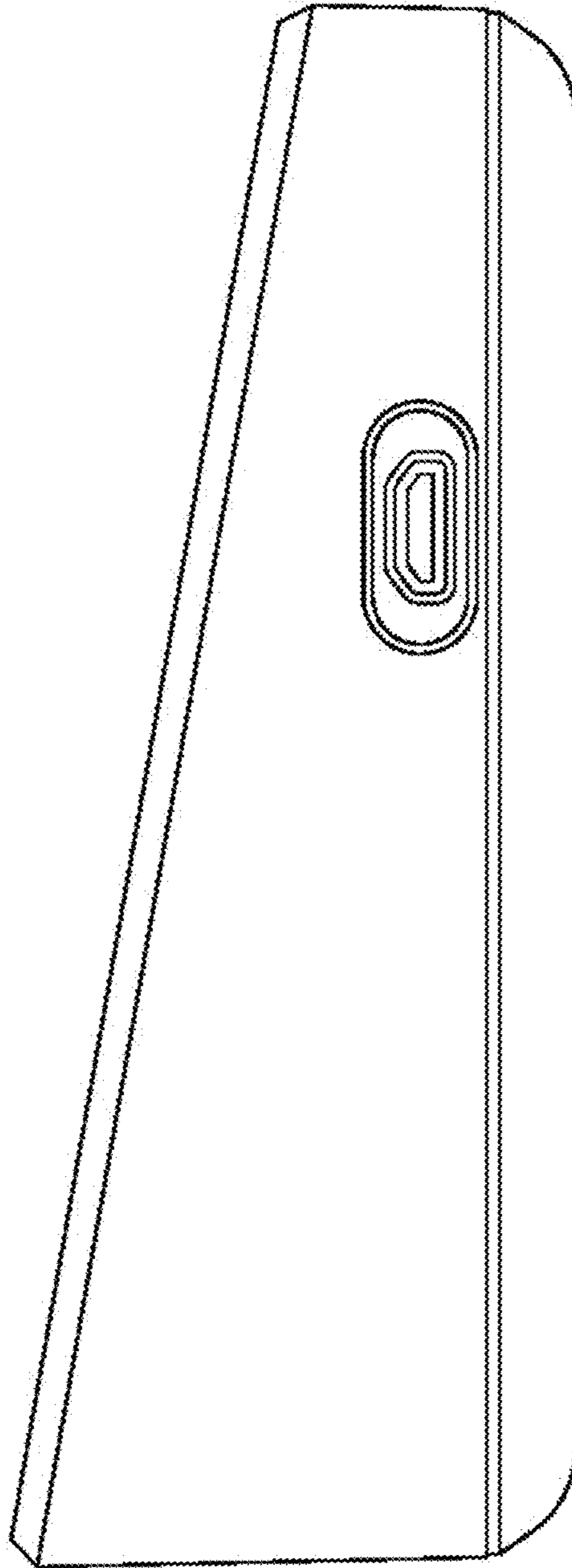
1.3



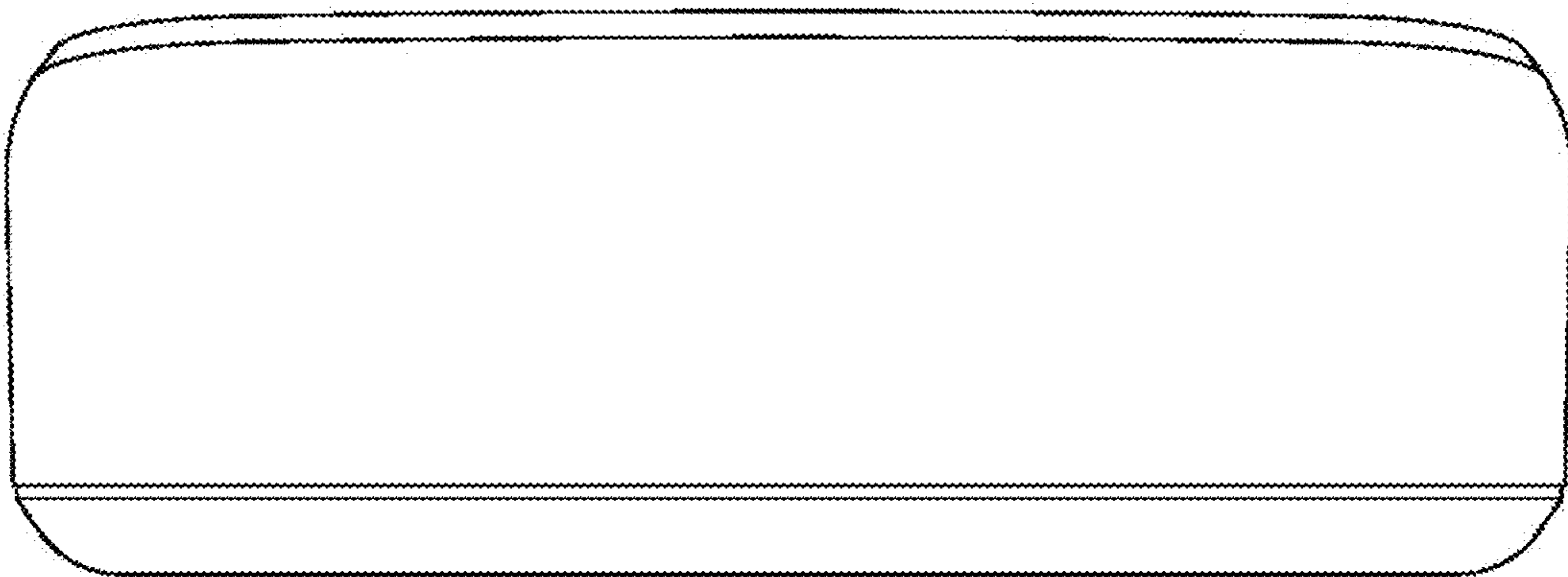
1.4



1.5



1.6



1.7

