



US00D821236S

(12) **United States Design Patent** (10) **Patent No.:** **US D821,236 S**
Knoell et al. (45) **Date of Patent:** **** Jun. 26, 2018**

(54) **WIRELESS PRESSURE TESTING UNIT**

(71) Applicant: **A & E Incorporated**, Racine, WI (US)

(72) Inventors: **Maximilian Knoell**, Racine, WI (US);
Timothy J. Alho, Pleasant Prairie, WI (US); **Bruce Engel**, Milwaukee, WI (US); **Jason Horner**, Burlington, WI (US); **Jin Kook Jeong**, Gyeonggi-Do (KR); **Myeong Geun Cheon**, Incheon (KR)

(73) Assignee: **A & E Incorporated**, Racine, WI (US)

(**) Term: **15 Years**

(21) Appl. No.: **29/588,536**

(22) Filed: **Dec. 21, 2016**

(51) **LOC (11) Cl.** **10-04**

(52) **U.S. Cl.**
 USPC **D10/86**

(58) **Field of Classification Search**
 USPC D10/85, 86
 CPC B60C 23/0408; B60C 23/041; B60C 23/0411; B60C 23/0413; B60C 23/0415; B60C 23/0416; B60C 23/0418; B60C 23/042; B60C 23/0422; B60C 23/0423; B60C 23/0425; B60C 23/0427; B60C 23/0428; B60C 23/043; B60C 23/0432; B60C 23/0433; B60C 23/0435; B60C 23/0437; B60C 23/0438; B60C 23/044; B60C 23/0442; B60C 23/0444; B60C 23/0445; B60C 23/0447; B60C 23/0449; B60C 23/045; B60C 23/0452; B60C 23/0454; B60C 23/0455; B60C 23/0457; B60C 23/0459; B60C 23/0461; B60C 23/0462; B60C 23/064; B60C 23/0466;

(Continued)

(56) **References Cited**

U.S. PATENT DOCUMENTS

5,663,493 A 9/1997 Gerbert et al.
 D390,140 S * 2/1998 Germanton D10/86
 (Continued)

FOREIGN PATENT DOCUMENTS

CA 2935592 A1 7/2015
 EP 0685723 A2 12/1995
 WO WO2015/109278 A1 7/2015

OTHER PUBLICATIONS

Parker Hannifin Corporation, Sporlan Smart Service Tool Kit brochure, dated 2014, 4 pages.
 (Continued)

Primary Examiner — Antoine Duval Davis
 (74) *Attorney, Agent, or Firm* — Ryan Kromholz & Manion, S.C.

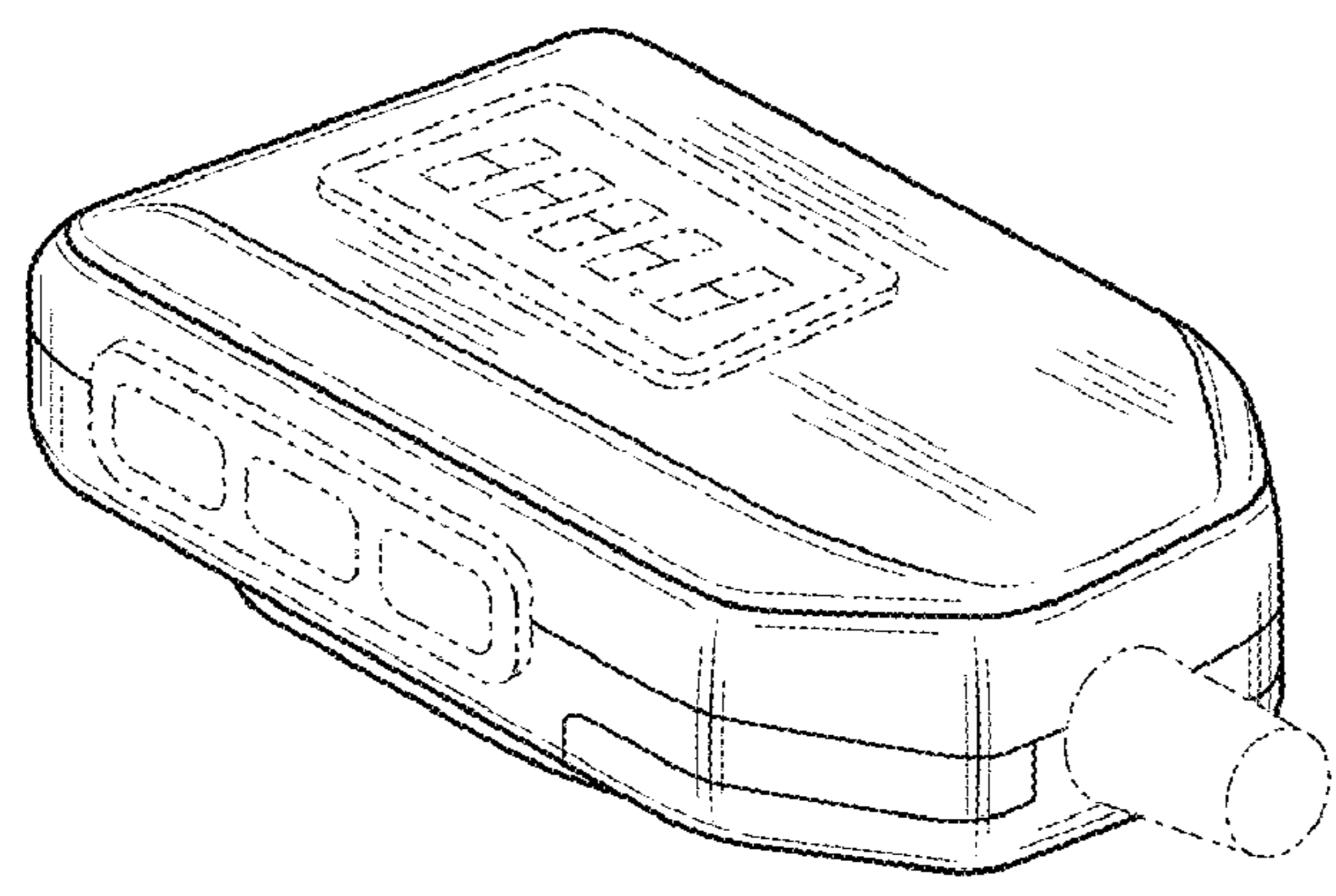
(57) **CLAIM**

The ornamental design for a wireless pressure testing unit, as shown and described.

DESCRIPTION

FIG. 1 is a perspective view of a wireless pressure testing unit;
 FIG. 2 is a top view of the wireless pressure testing unit;
 FIG. 3 is a bottom view of the wireless pressure testing unit;
 FIG. 4 is a first side view of the wireless pressure testing unit;
 FIG. 5 is a second side view of the wireless pressure testing unit;
 FIG. 6 is a back view of the wireless pressure testing unit;
 and,
 FIG. 7 is a front view of the wireless pressure testing unit. All broken lines illustrate portions of the wireless pressure testing unit that form no part of the claimed design.

1 Claim, 1 Drawing Sheet



(58) **Field of Classification Search**

CPC B60C 23/0467; B60C 23/0469; B60C 23/0471; B60C 23/0474; B60C 23/0476; B60C 23/0477; B60C 23/0479; B60C 23/0481; B60C 23/0483; B60C 23/0484; B60C 23/086; B60C 23/0488; B60C 23/0489; B60C 23/0491; B60C 23/0493; B60C 23/0472; B60C 23/0494; B60C 23/0496; B60C 23/098; G01L 19/0007; G01L 19/0084; G01L 19/0092; G01L 19/04; G01L 19/06; G01L 19/14; G01L 19/141; G01L 19/142; G01L 19/143; G01L 19/144; G01L 19/145; G01L 19/146; G01L 19/147; G01L 19/148; G01L 19/149

See application file for complete search history.

(56) **References Cited**

U.S. PATENT DOCUMENTS

5,875,413 A 2/1999 Vinci
5,884,202 A 3/1999 Arjomand

6,029,508 A 2/2000 Schoenbeck et al.
6,227,043 B1 5/2001 Schoenbeck et al.
6,701,232 B2 3/2004 Yamaki
6,968,733 B2 11/2005 Andreasen et al.
D648,236 S * 11/2011 Rodrig D10/86
D671,023 S * 11/2012 Stowers D10/86
D678,094 S * 3/2013 Rodrig D10/86
8,428,912 B2 4/2013 Neuwirth
D683,643 S * 6/2013 Stowers D10/86
D700,089 S * 2/2014 Sundheim D10/85
9,188,505 B2 11/2015 Martin
2002/0134150 A1 9/2002 Shih
2016/0209095 A1 7/2016 Parker et al.

OTHER PUBLICATIONS

Webpage https://www.amazon.com/STEELMAN-97202-Wireless-ChassisEAR-Diagnostic/dp/B00123J790/ref=sr_1_1?s=automotive&ie=UTF8&qid=1517330029&sr=1-1, dated Jan. 9, 2018, 1 page.

* cited by examiner

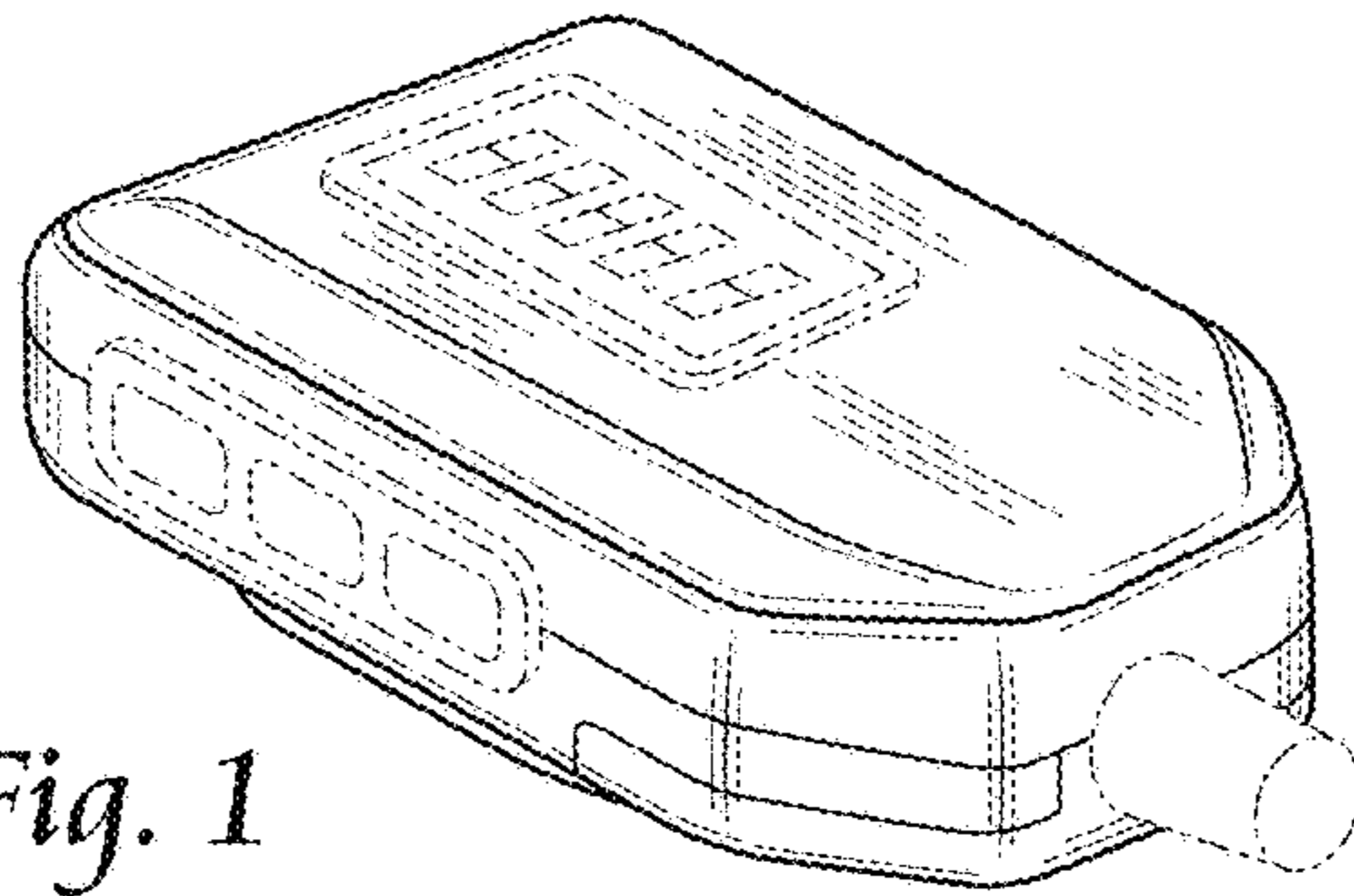


Fig. 1

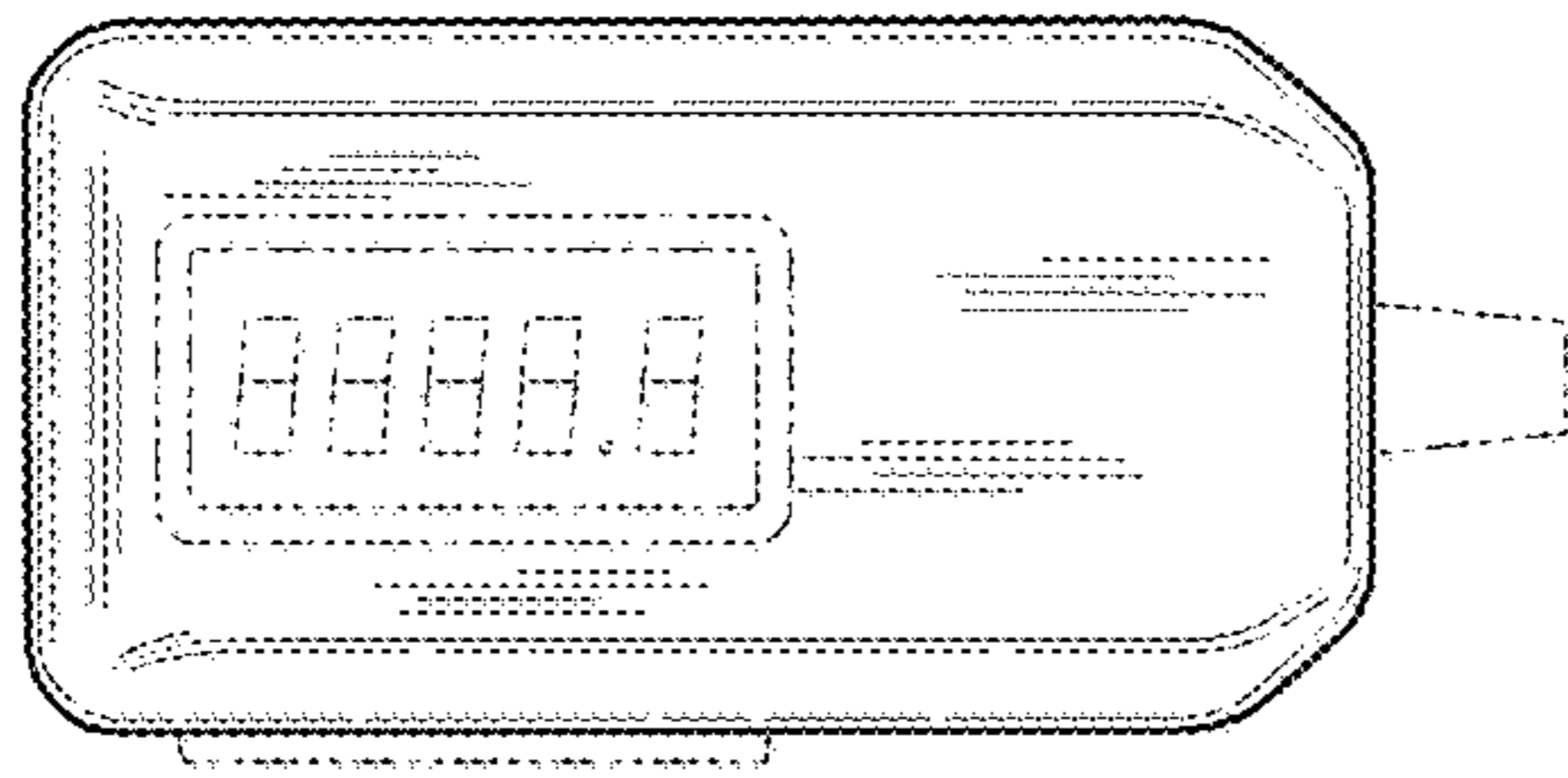


Fig. 2

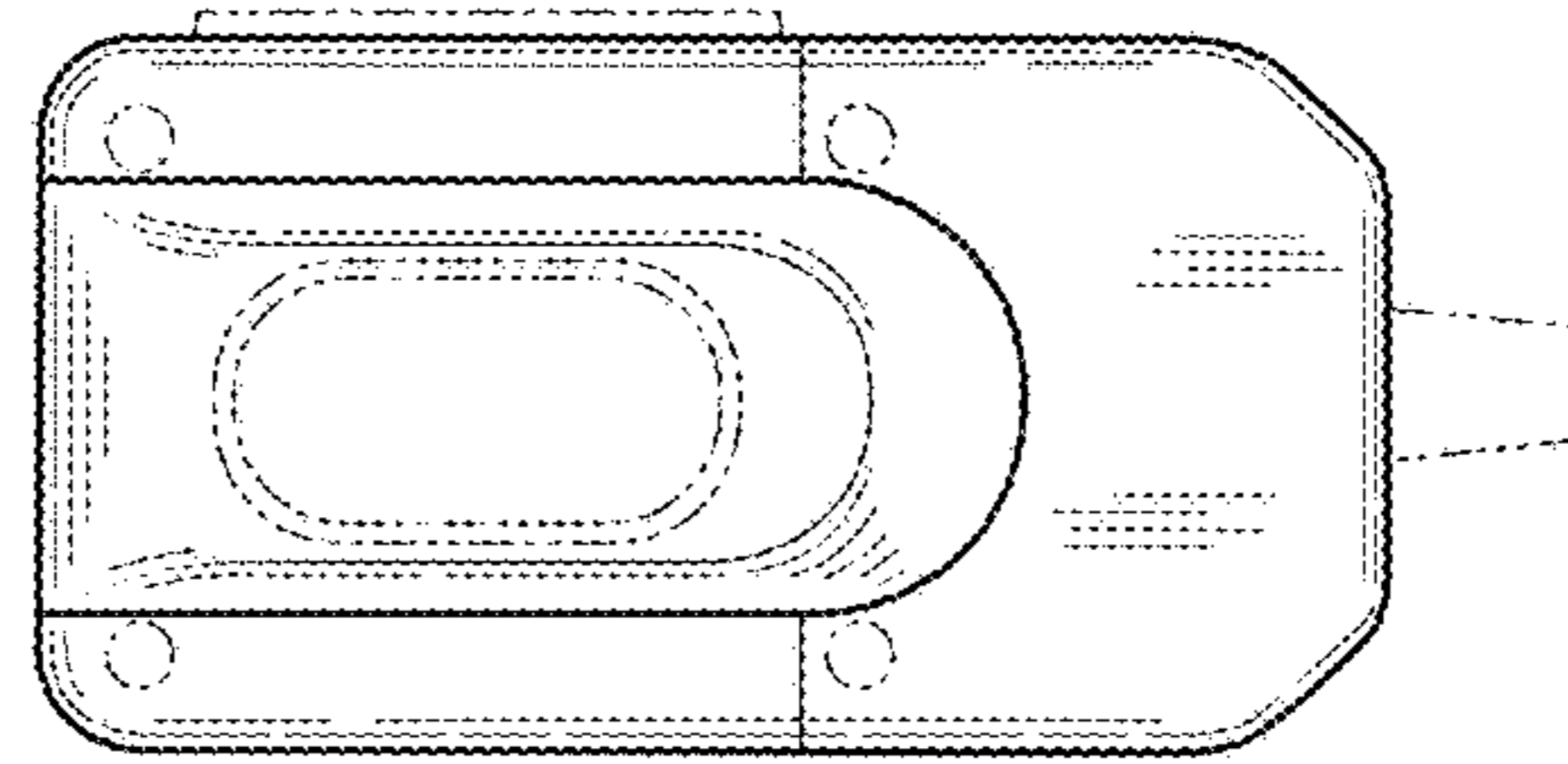


Fig. 3

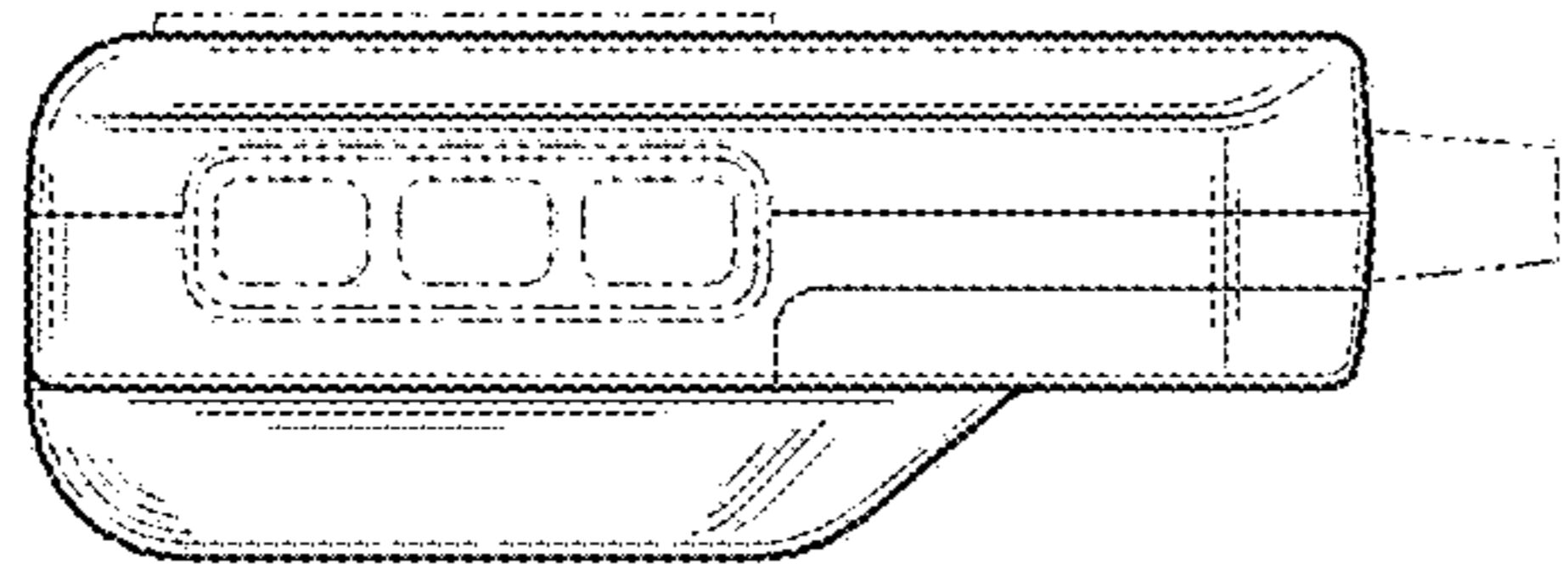


Fig. 4

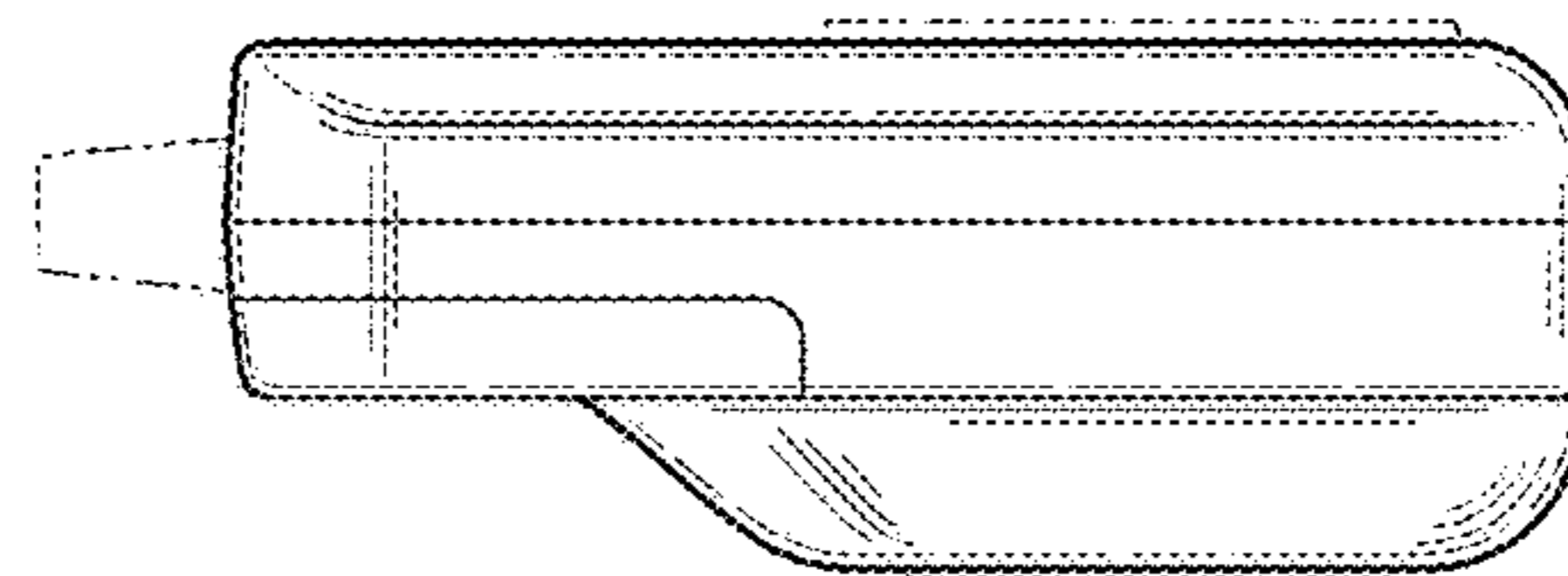


Fig. 5

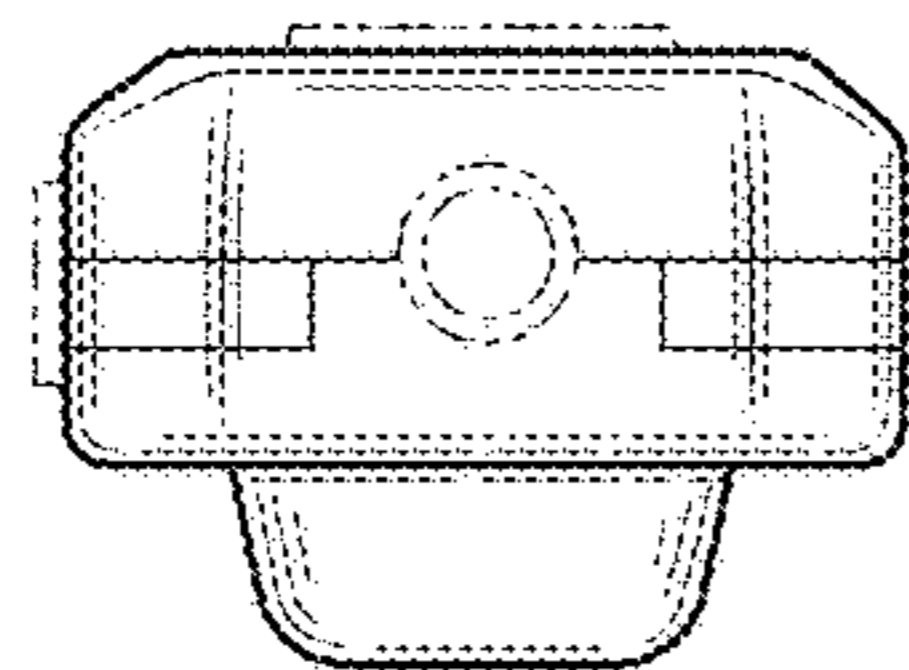


Fig. 6

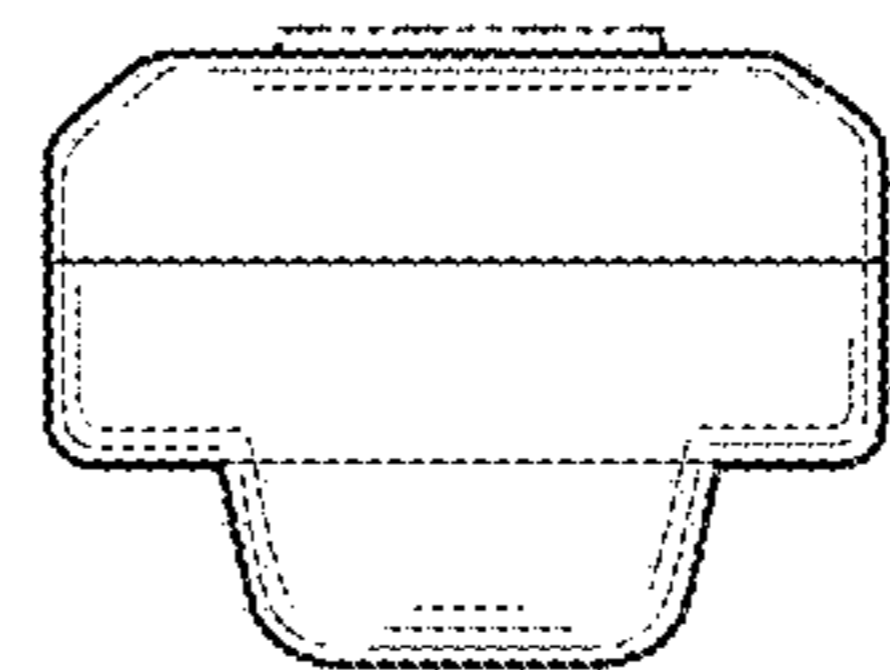


Fig. 7

UNITED STATES PATENT AND TRADEMARK OFFICE
CERTIFICATE OF CORRECTION

PATENT NO. : D821,236 S
APPLICATION NO. : 29/588536
DATED : June 26, 2018
INVENTOR(S) : Knoell et al.

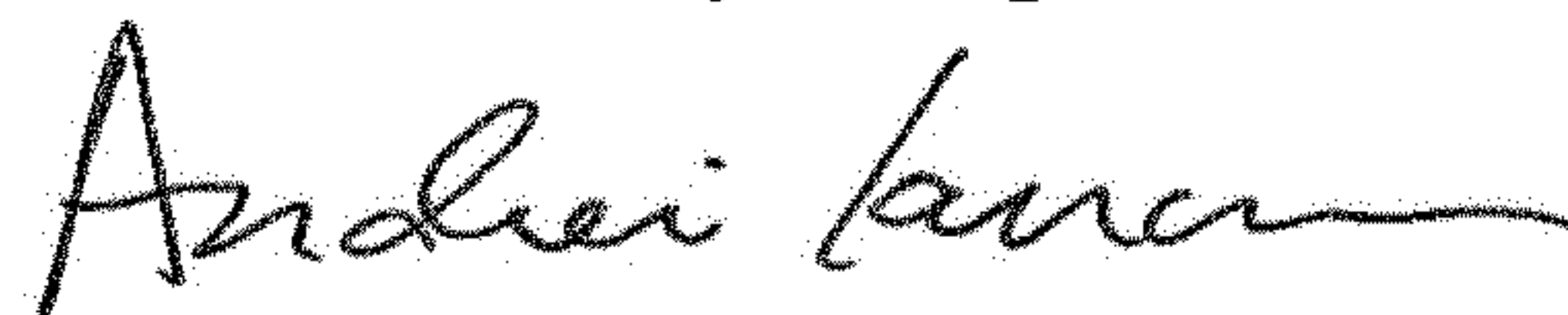
Page 1 of 1

It is certified that error appears in the above-identified patent and that said Letters Patent is hereby corrected as shown below:

On the Title Page

Item (72) Inventor is corrected to read:
-- Maximillian Knoell, Racine, WI (US);
Timothy J. Alho, Pleasant Prairie, WI (US);
Bruce Engel, Milwaukee, WI (US);
Jason Horner, Burlington, WI (US);
Jin Kook Jeong, Gyeonggi-Do (KR);
Myeong Geun Cheon, Incheon (KR);
David F. Brekke, Frankville, WI (US);
Michael Gordon Holden, Milwaukee, WI (US) --

Signed and Sealed this
Seventh Day of April, 2020



Andrei Iancu
Director of the United States Patent and Trademark Office