



US00D821234S

(12) **United States Design Patent**
Li et al.

(10) **Patent No.:** **US D821,234 S**
(45) **Date of Patent:** **** Jun. 26, 2018**

(54) **MULTI-CHANNEL MEASUREMENT INSTRUMENT HOUSING**

(71) Applicant: **TEKTRONIX, INC.**, Beaverton, OR (US)

(72) Inventors: **Wenqing Li**, Shanghai (CN);
Wengfang Chen, Shanghai (CN)

(73) Assignee: **Tektronix, Inc.**, Beaverton, OR (US)

(**) Term: **15 Years**

(21) Appl. No.: **29/570,688**

(22) Filed: **Jul. 11, 2016**

(51) **LOC (11) Cl.** **10-04**

(52) **U.S. Cl.**
USPC **D10/76**

(58) **Field of Classification Search**
USPC **D10/76**

(Continued)

(56) **References Cited**

U.S. PATENT DOCUMENTS

D472,171 S * 3/2003 Wisley D10/76
D514,004 S * 1/2006 Wisley D10/76

FOREIGN PATENT DOCUMENTS

CN 303207807 S 5/2015
TW D143729 11/2011

OTHER PUBLICATIONS

Search Report for Taiwan Design Patent Application No. 106302071, dated Sep. 21, 2017, 1 page.

* cited by examiner

Primary Examiner — Antoine Duval Davis

(74) *Attorney, Agent, or Firm* — Kevin D. Dothager;
Marger Johnson

(57) **CLAIM**

The ornamental design for a multi-channel measurement instrument housing, as shown and described.

DESCRIPTION

FIG. 1 is a perspective view of the multi-channel measurement instrument housing having two channels.

FIG. 2 is a front view of the multi-channel measurement instrument housing of FIG. 1.

FIG. 3 is a rear view of the multi-channel measurement instrument housing of FIG. 1.

FIG. 4 is a left side view of the multi-channel measurement instrument housing of FIG. 1.

FIG. 5 is a right side view of the multi-channel measurement instrument housing of FIG. 1.

FIG. 6 is a top view of the multi-channel measurement instrument housing of FIG. 1.

FIG. 7 is a bottom view of the multi-channel measurement instrument housing of FIG. 1.

FIG. 8 is a perspective view of an alternative embodiment of the multi-channel measurement instrument housing having two channels.

FIG. 9 is a front view of the multi-channel measurement instrument housing of FIG. 8.

FIG. 10 is a rear view of the multi-channel measurement instrument housing of FIG. 8.

FIG. 11 is a left side view of the multi-channel measurement instrument housing of FIG. 8.

FIG. 12 is a right side view of the multi-channel measurement instrument housing of FIG. 8.

FIG. 13 is a top view of the multi-channel measurement instrument housing of FIG. 8.

FIG. 14 is a bottom view of the multi-channel measurement instrument housing of FIG. 8.

FIG. 15 is a perspective view of an alternative embodiment of the multi-channel measurement instrument housing having four channels.

FIG. 16 is a front view of the multi-channel measurement instrument housing of FIG. 15.

FIG. 17 is a rear view of the multi-channel measurement instrument housing of FIG. 15.

(Continued)

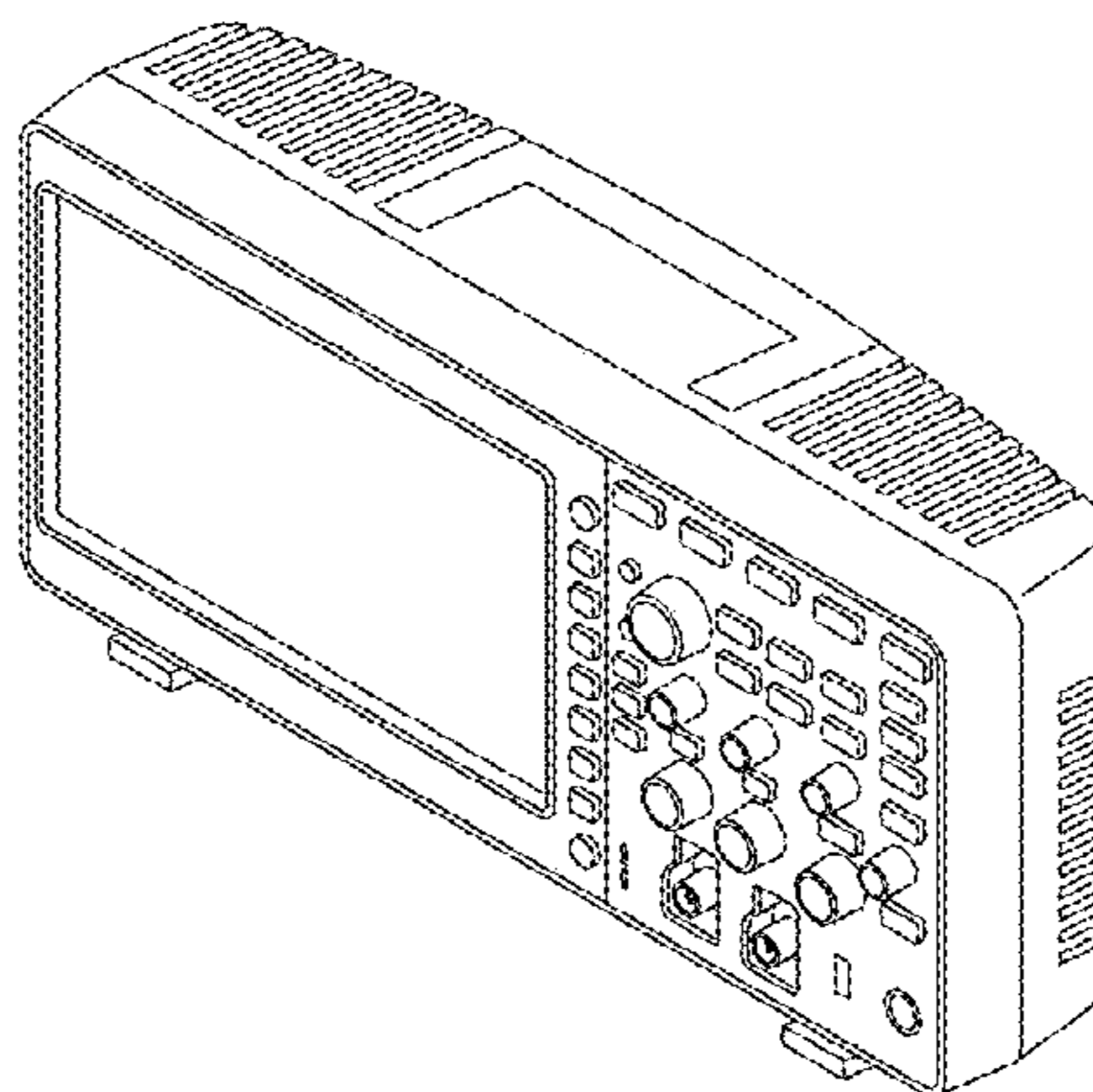


FIG. 18 is a left side view of the multi-channel measurement instrument housing of FIG. 15.

FIG. 19 is a right side view of the multi-channel measurement instrument housing of FIG. 15.

FIG. 20 is a top view of the multi-channel measurement instrument housing of FIG. 15.

FIG. 21 is a bottom view of the multi-channel measurement instrument housing of FIG. 15.

FIG. 22 is a perspective view of an alternative embodiment of the multi-channel measurement instrument housing having four channels.

FIG. 23 is a front view of the multi-channel measurement instrument housing of FIG. 22.

FIG. 24 is a rear view of the multi-channel measurement instrument housing of FIG. 22.

FIG. 25 is a left side view of the multi-channel measurement instrument housing of FIG. 22.

FIG. 26 is a right side view of the multi-channel measurement instrument housing of FIG. 22.

FIG. 27 is a top view of the multi-channel measurement instrument housing of FIG. 22; and,

FIG. 28 is a bottom view of the multi-channel measurement instrument housing of FIG. 22.

The portions of the multi-channel measurement instrument housing shown in broken lines form no part of the claimed design.

1 Claim, 24 Drawing Sheets

(58) **Field of Classification Search**

CPC G01R 13/20; G01R 13/202; G01R 13/405;
G01R 13/208; G01R 13/204; G01R
13/206; G01R 13/22; G01R 13/225;
G01R 13/24; G01R 13/2245; G01R
13/26; G01R 13/28; G01R 13/30; G01R
13/305; G01R 13/32; G01R 13/325;
G01R 13/34; G01R 13/347; G01R
13/342; G01R 13/345; G01R 13/36;
G01R 13/38; G01R 13/40; G01R 13/401;
G01R 13/402; G01R 13/403; G01R
13/404; G01R 13/406; G01R 13/407;
G01R 13/408; G01R 13/42; G01R
31/316; G01R 31/3161; G01R 31/3163;
G01R 31/3137

See application file for complete search history.

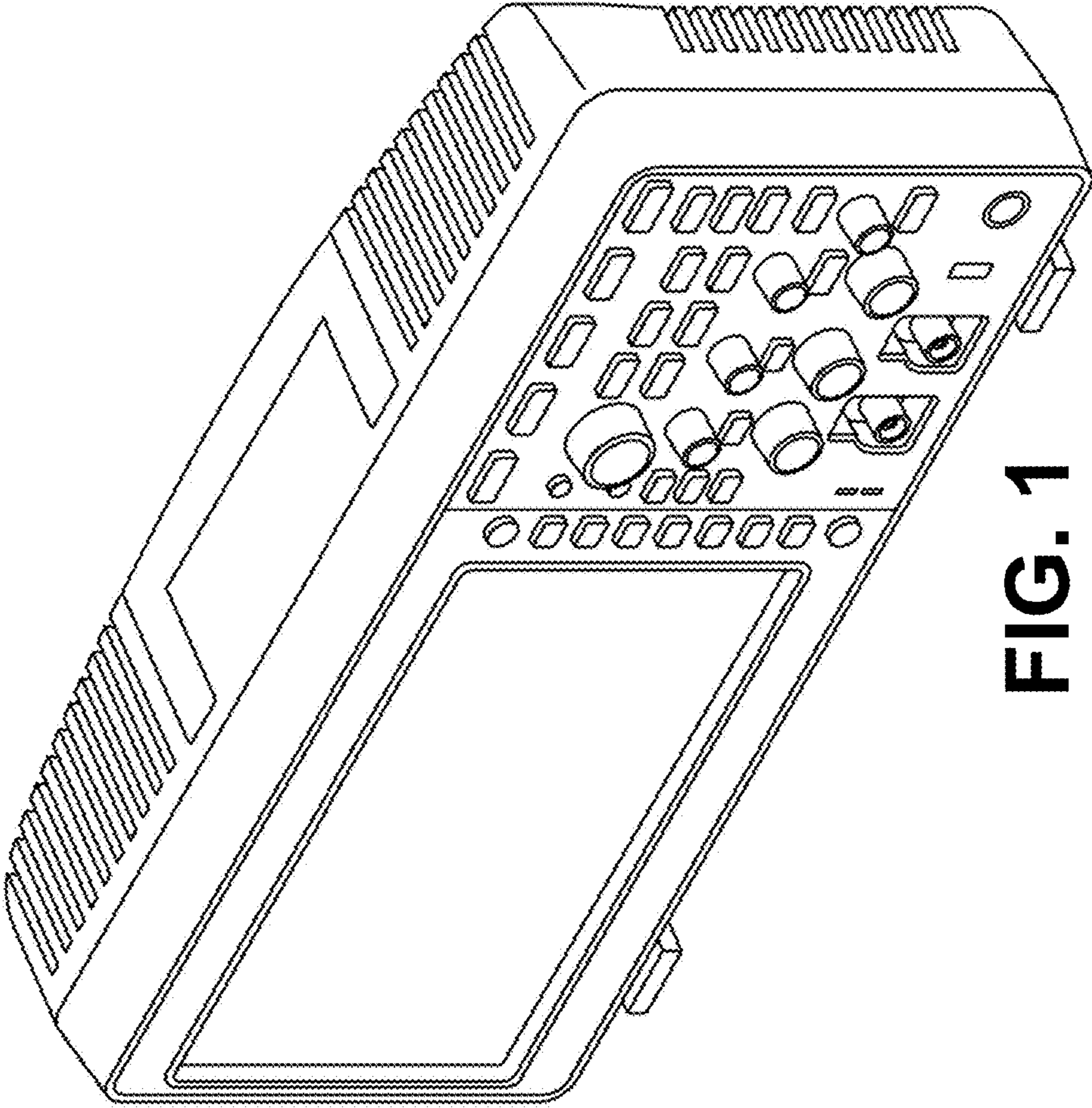


FIG. 1

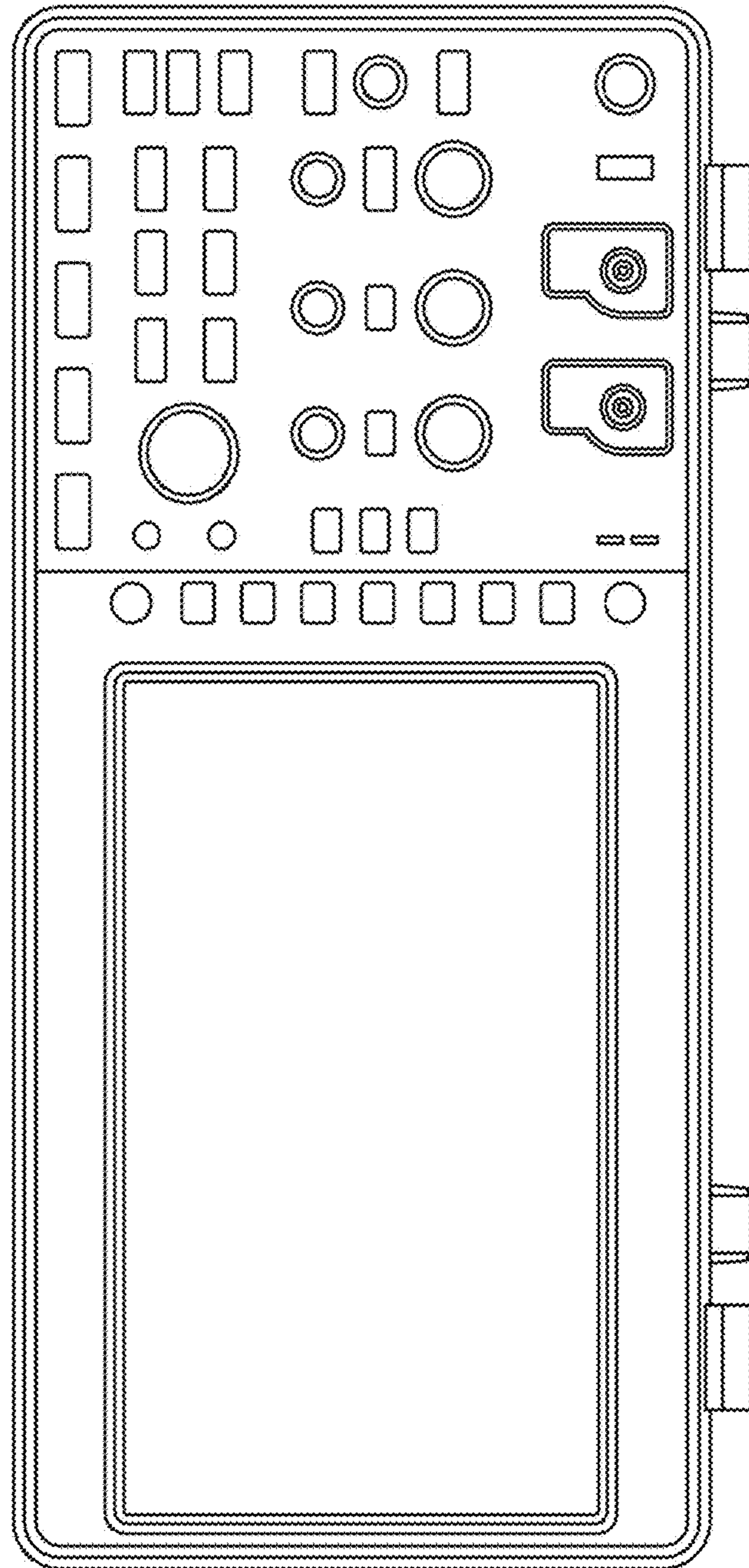


FIG. 2

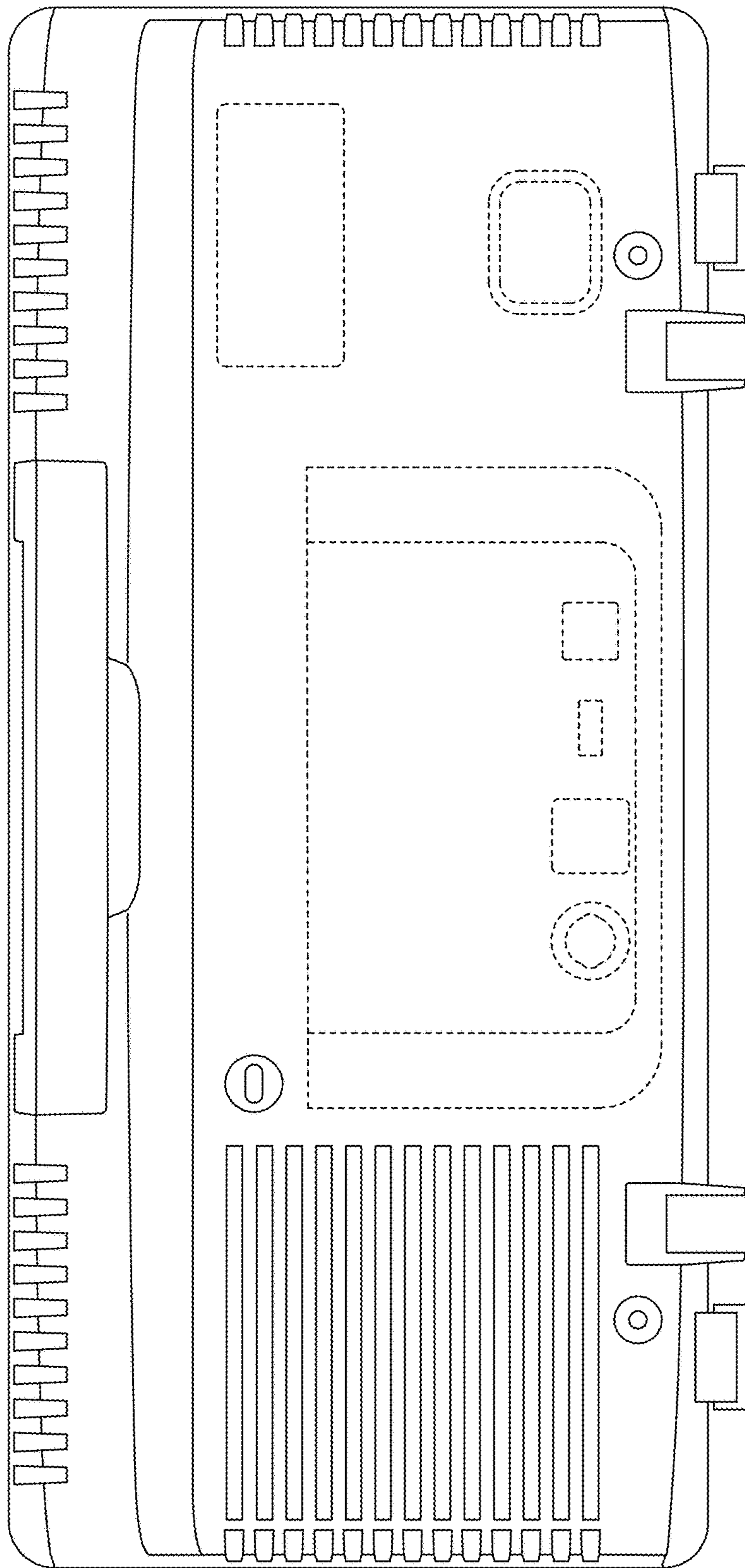


FIG. 3

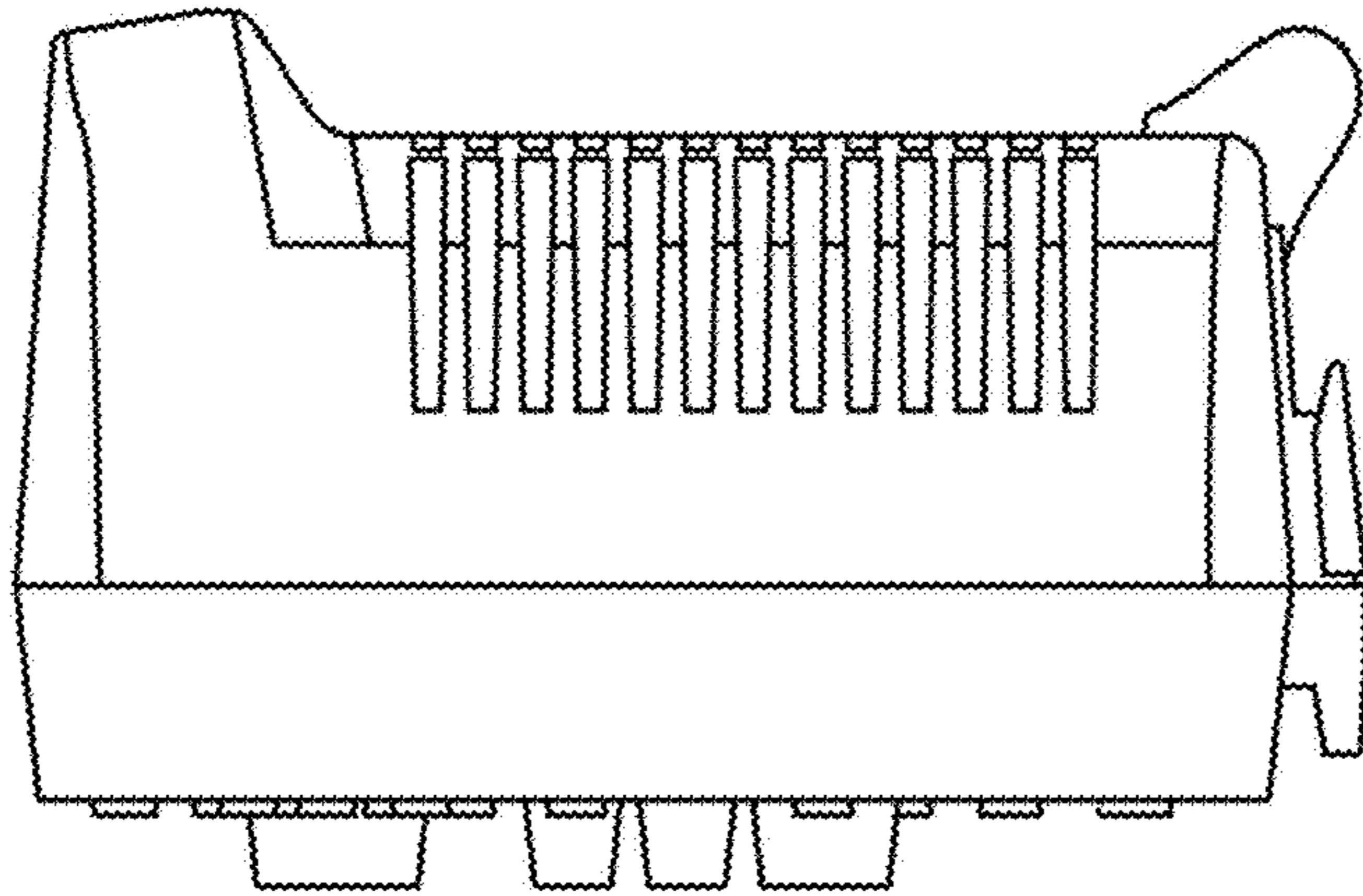


FIG. 5

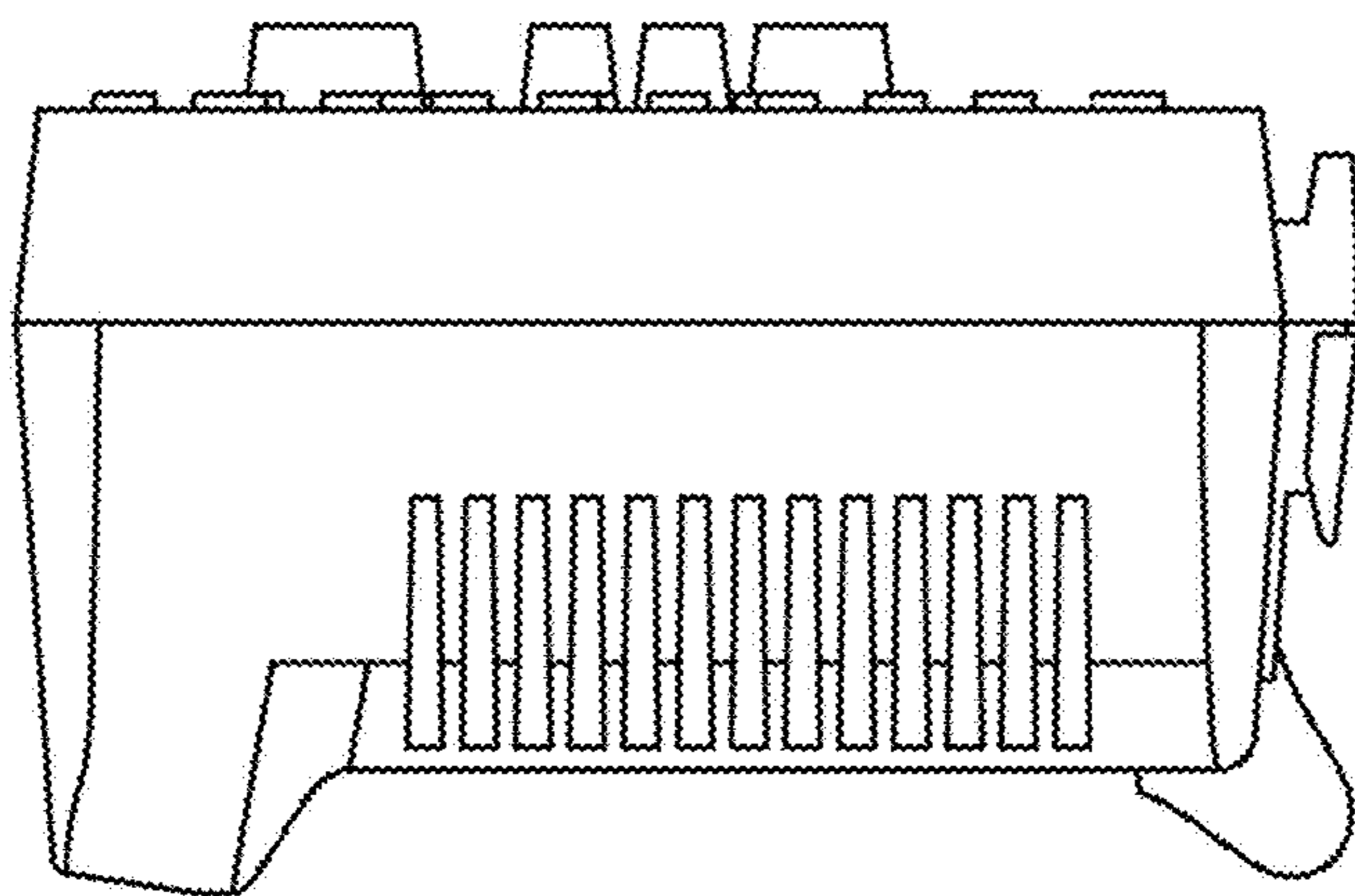


FIG. 4

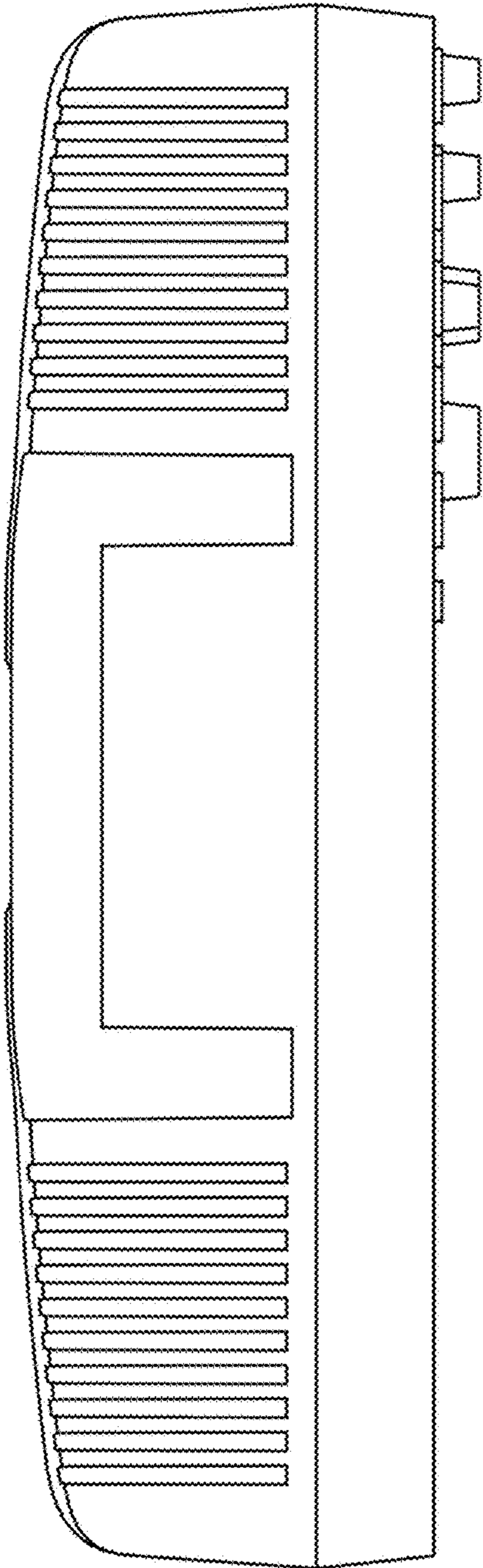


FIG. 6

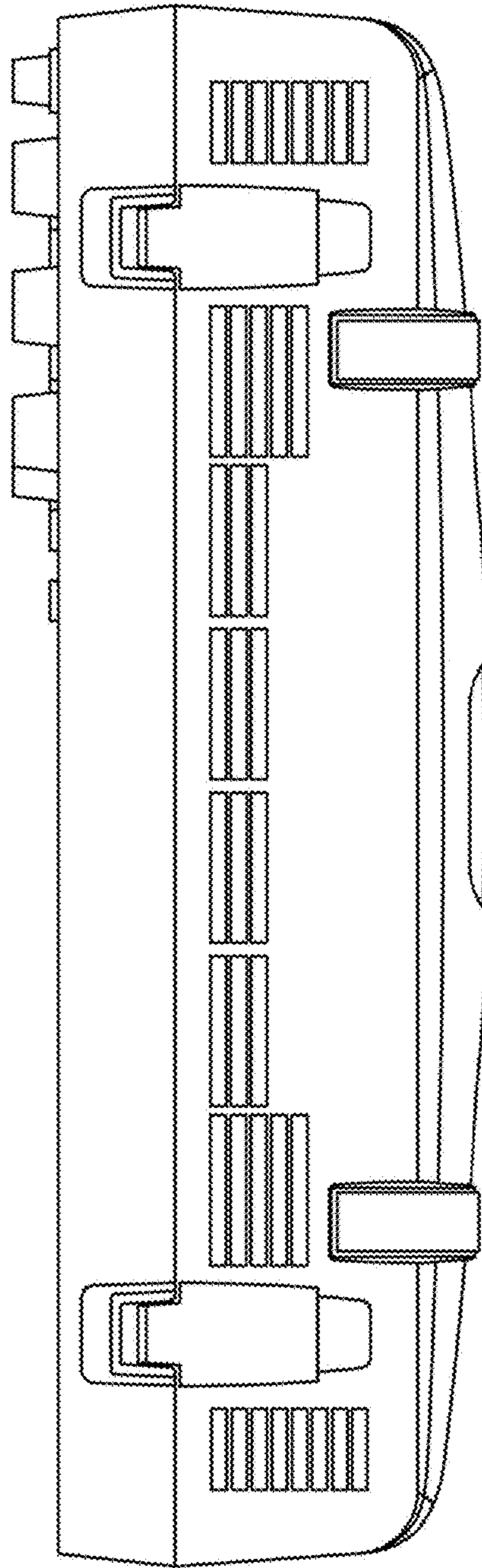


FIG. 7

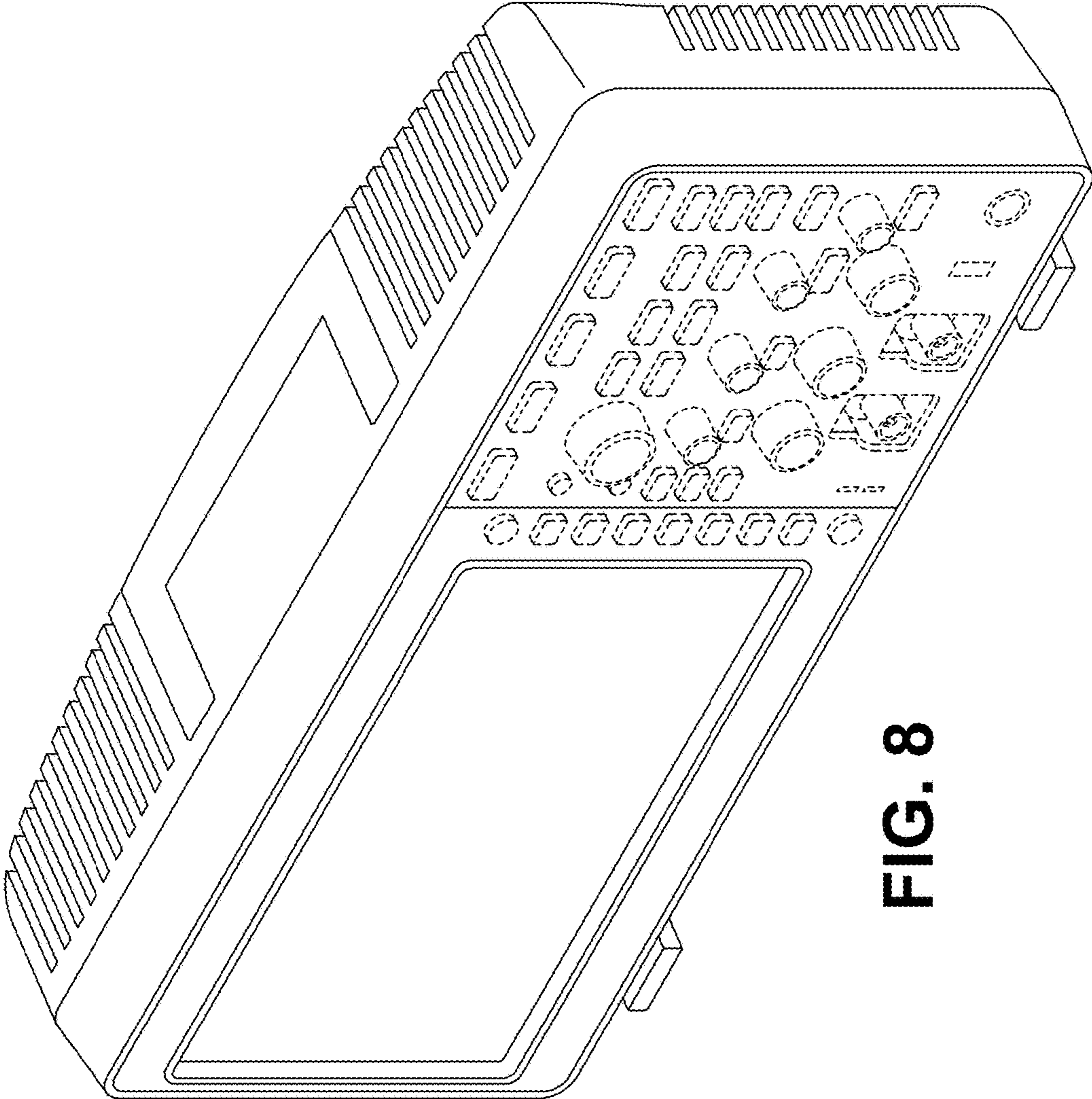


FIG. 8

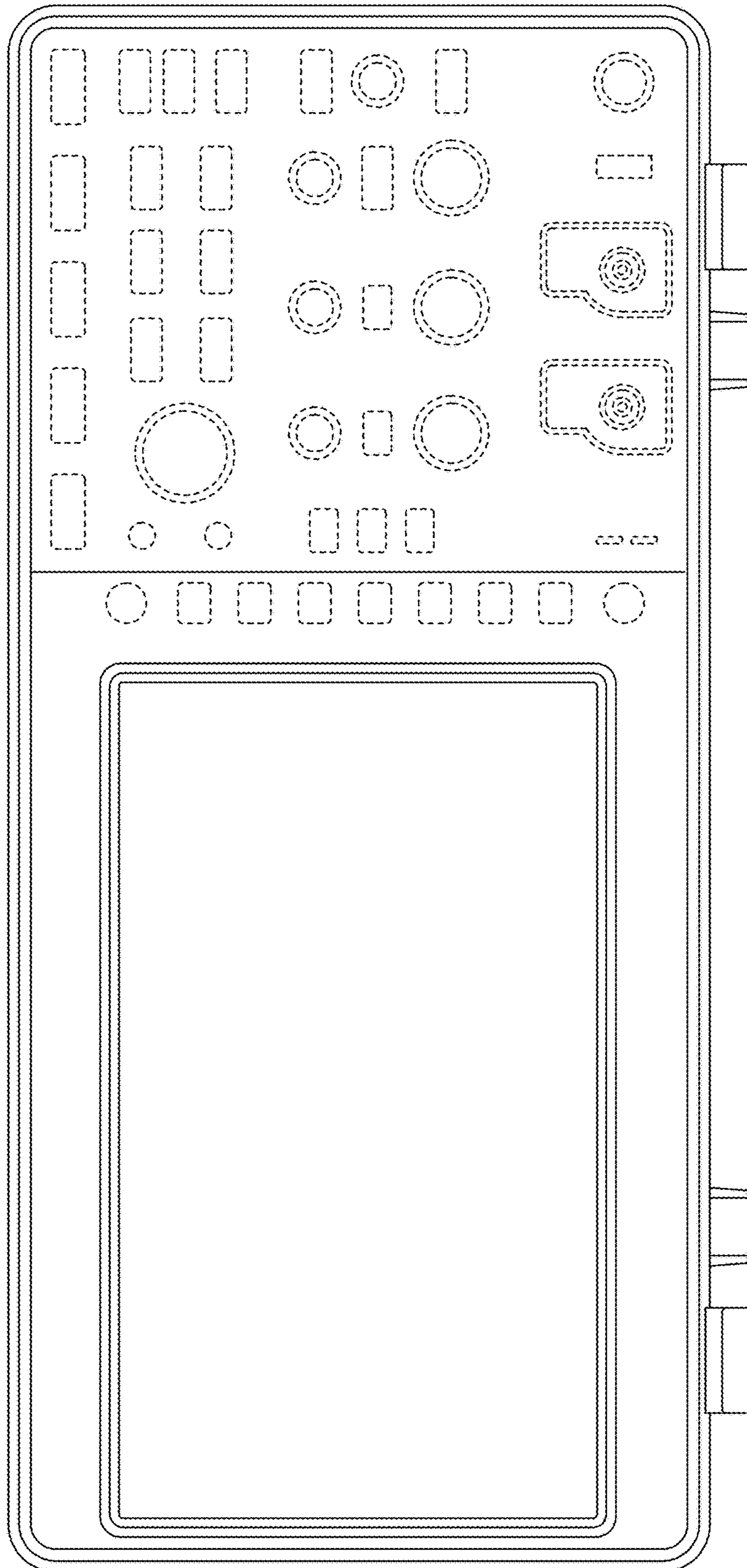


FIG. 9

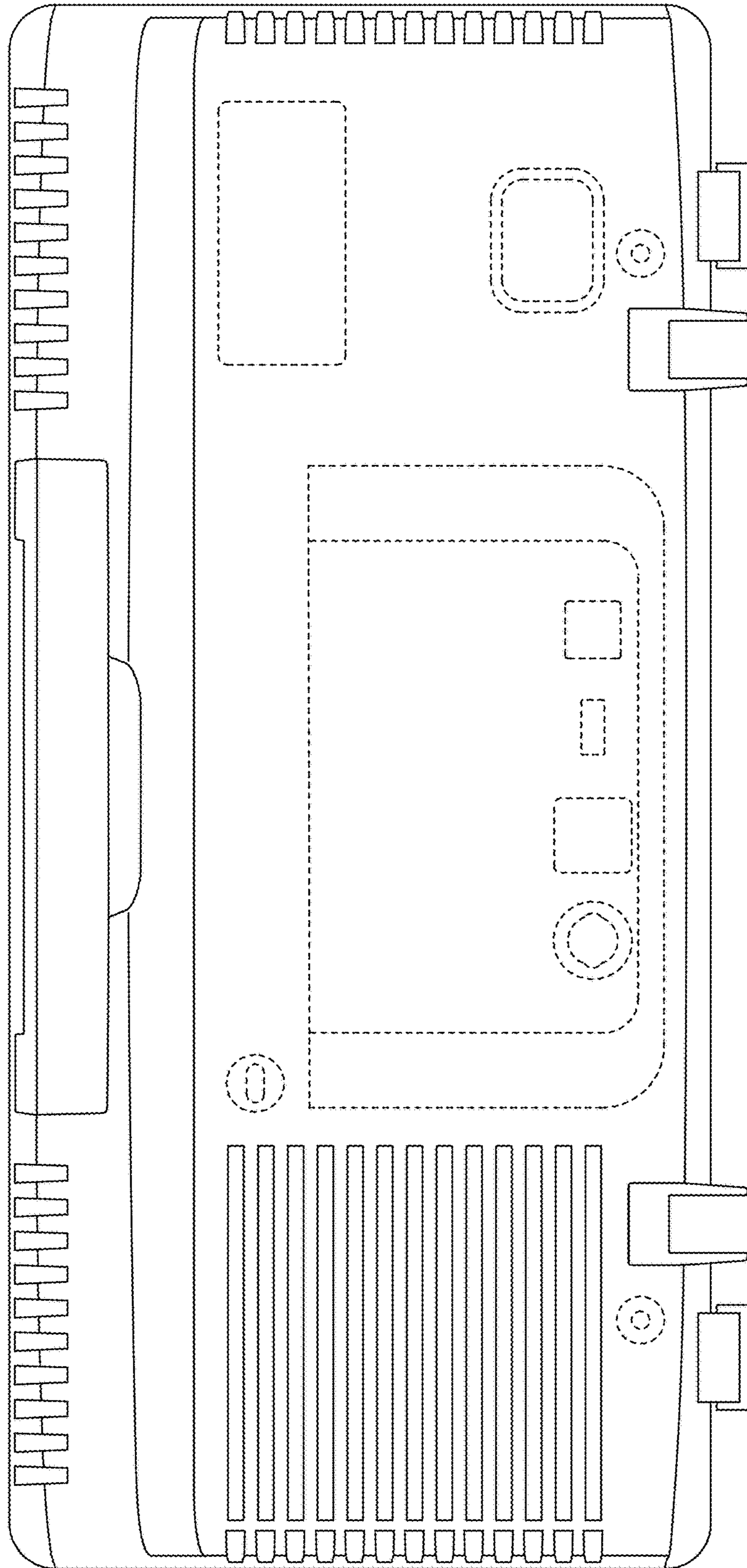


FIG. 10

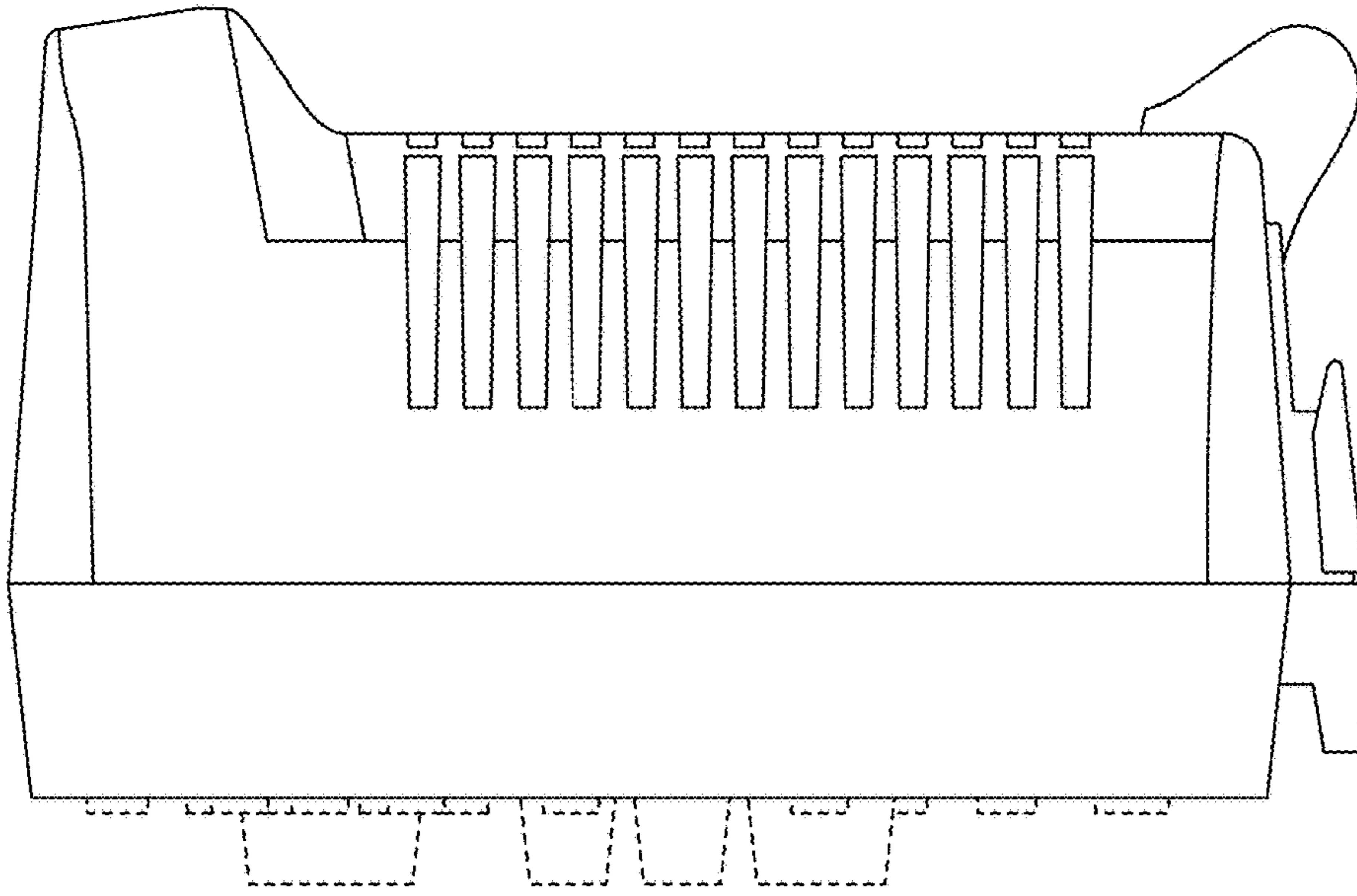


FIG. 12

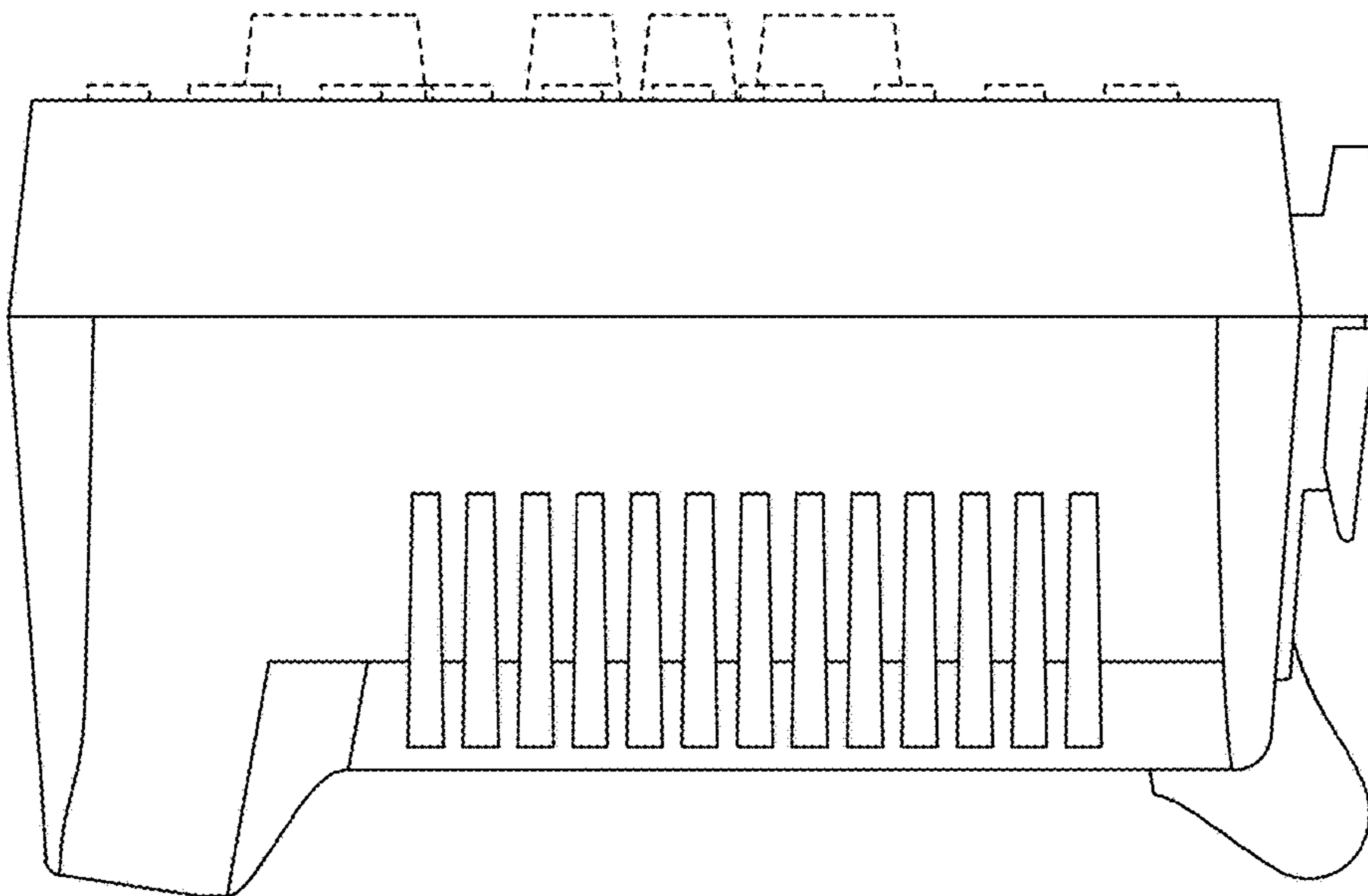


FIG. 11

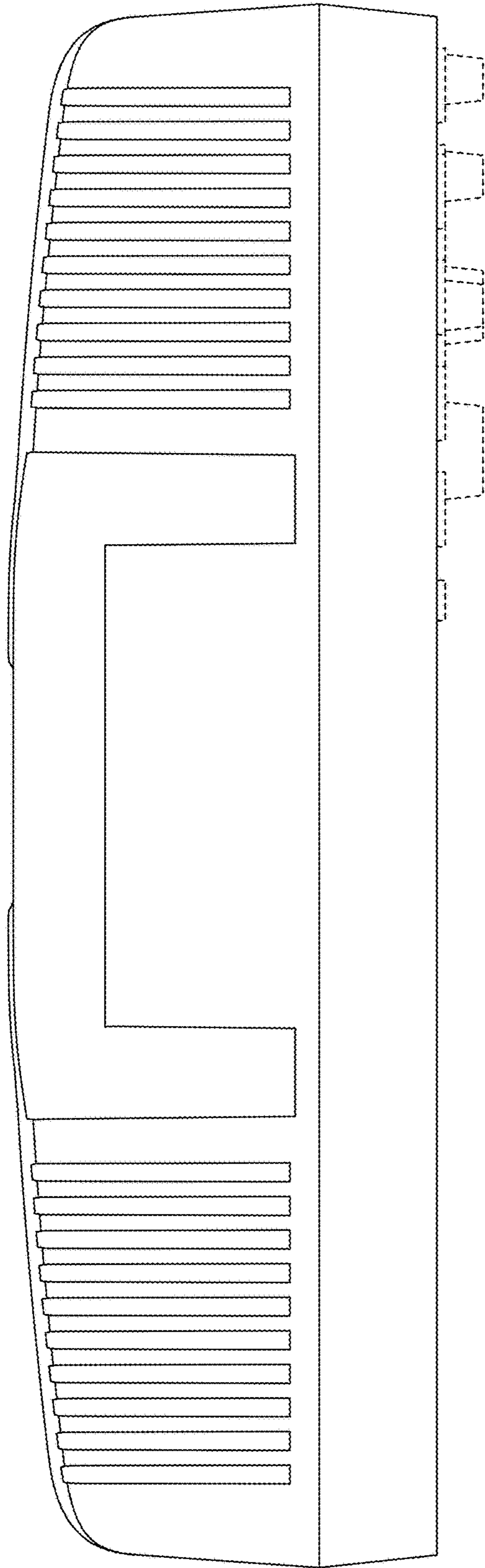


FIG. 13

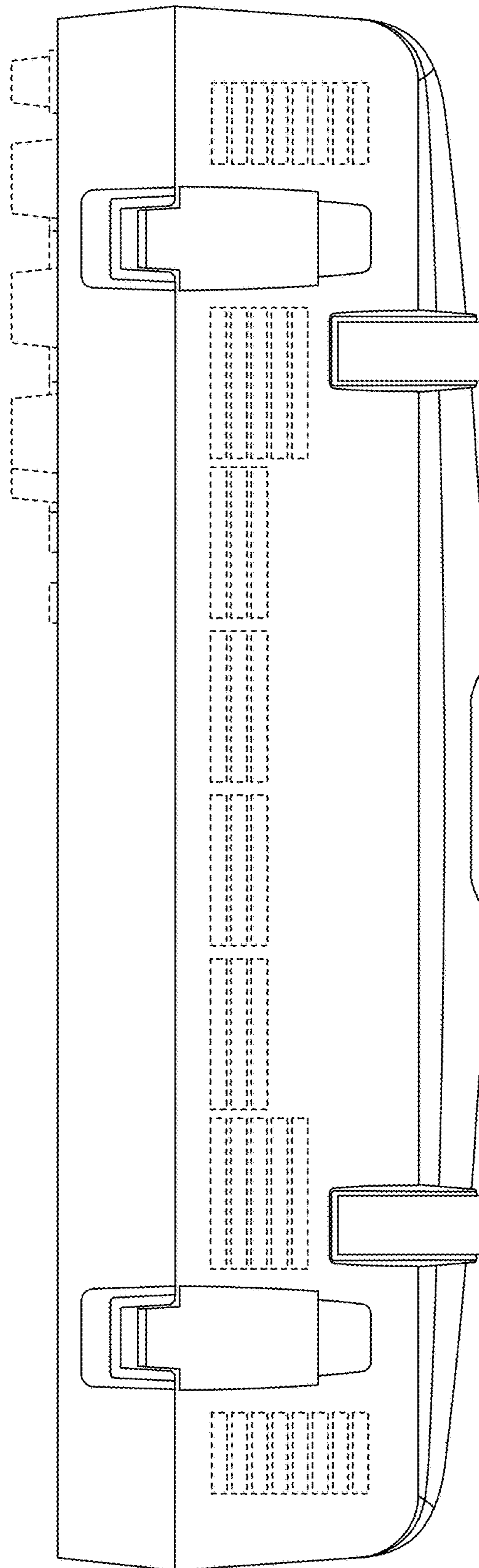


FIG. 14

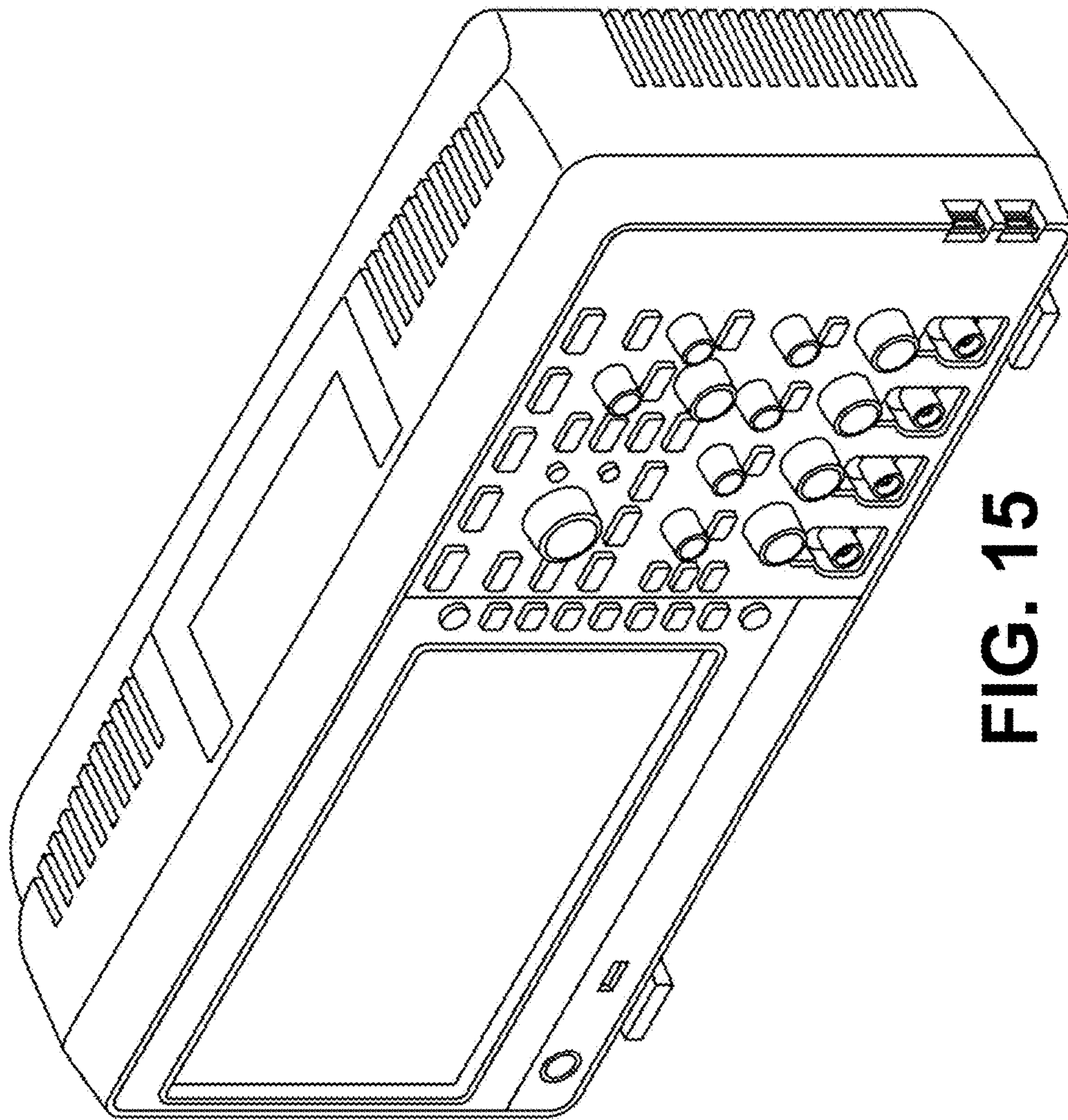


FIG. 15

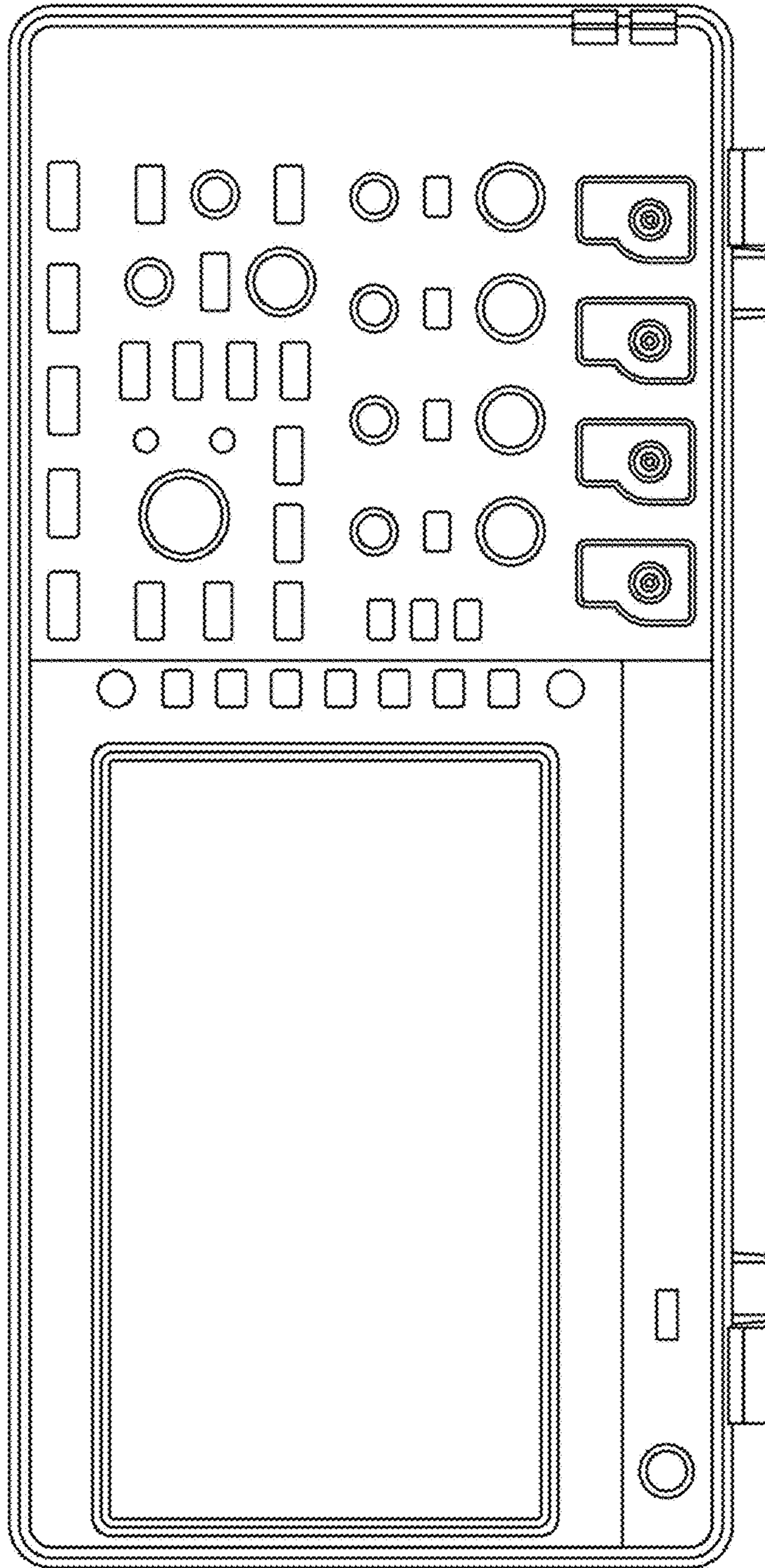


FIG. 16

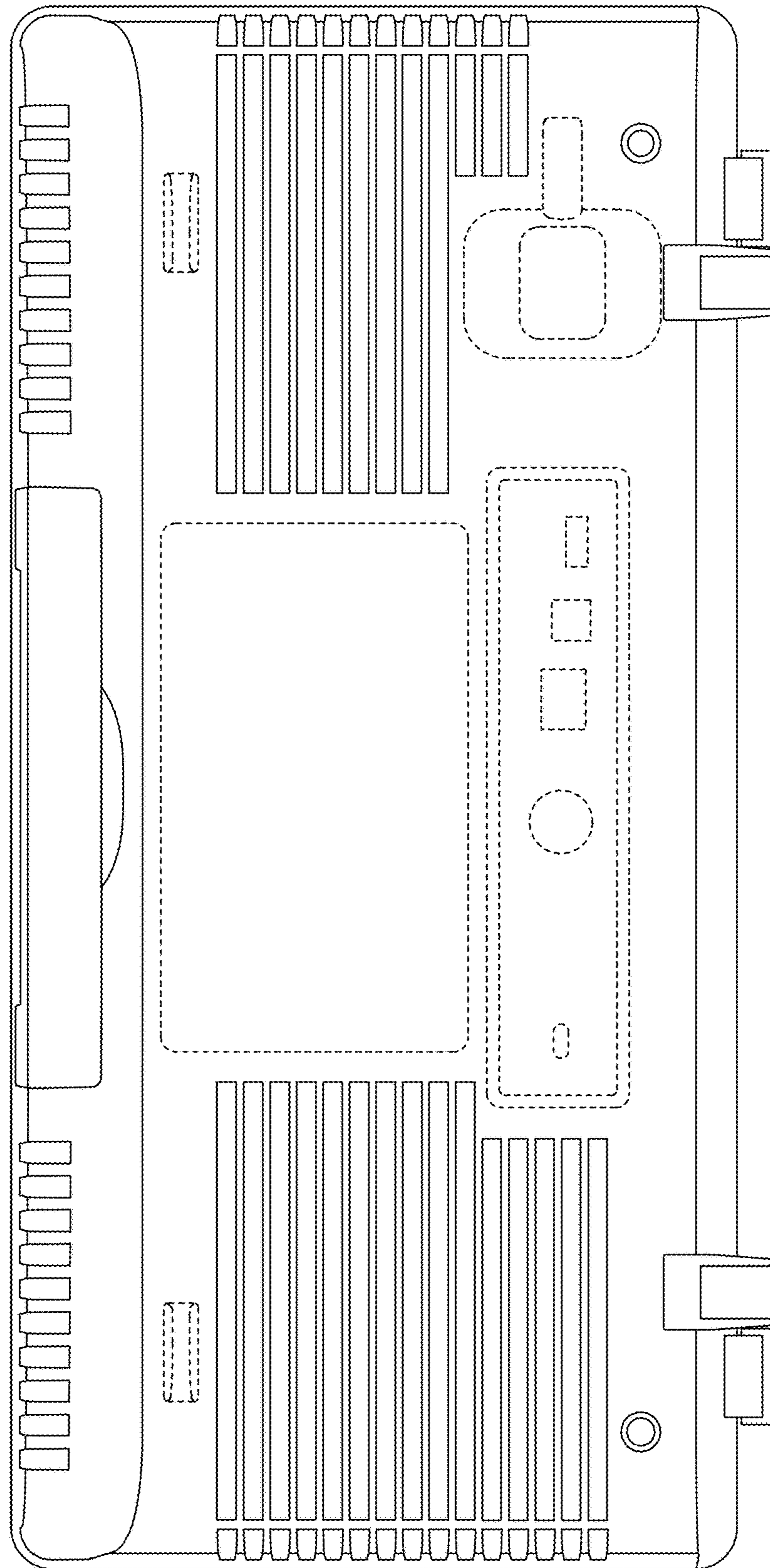


FIG. 17

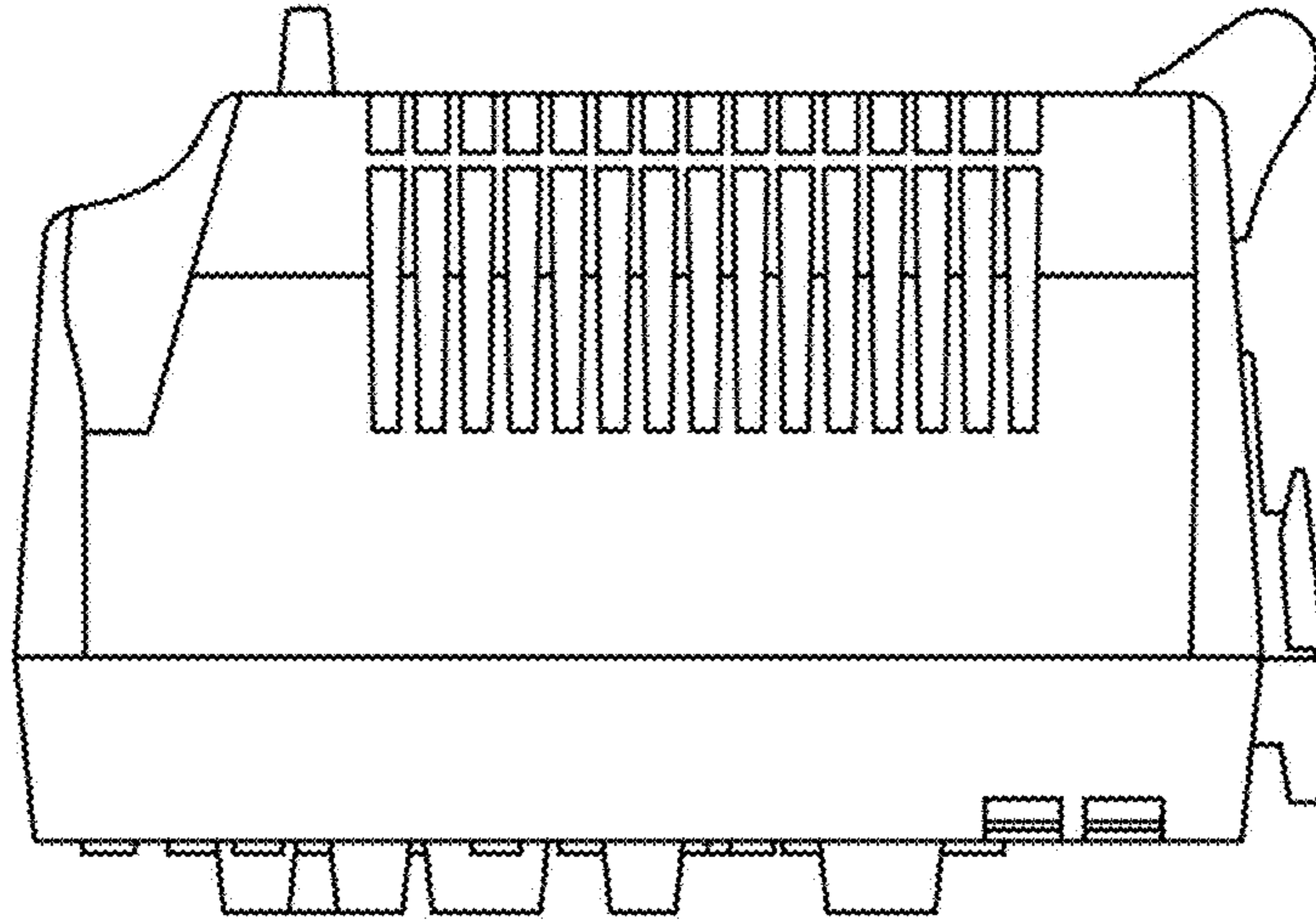


FIG. 19

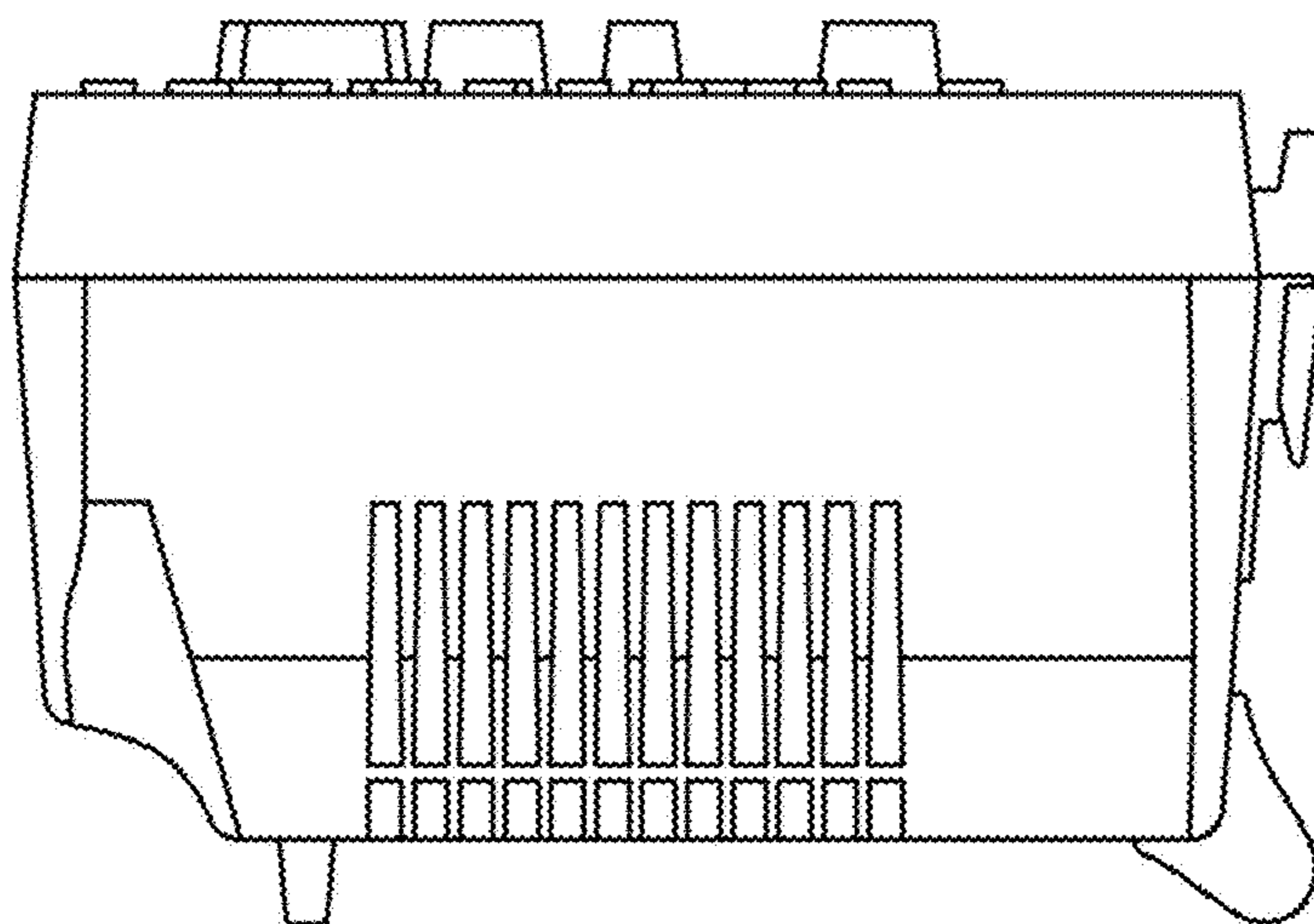


FIG. 18

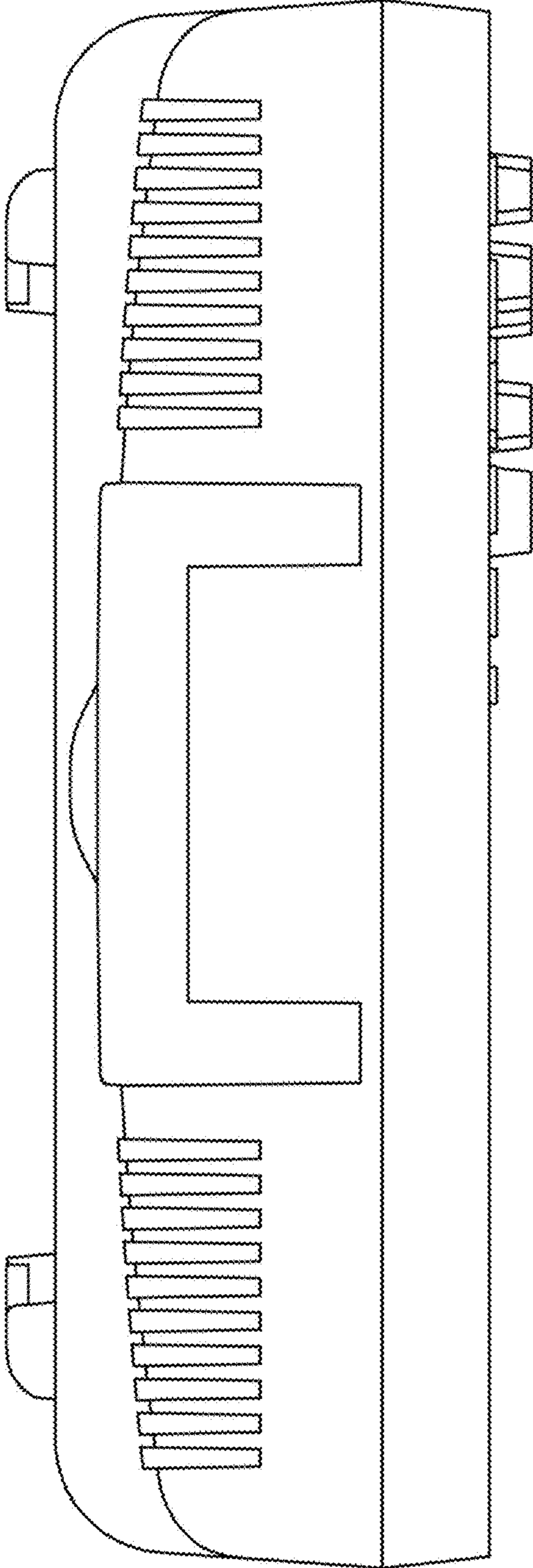


FIG. 20

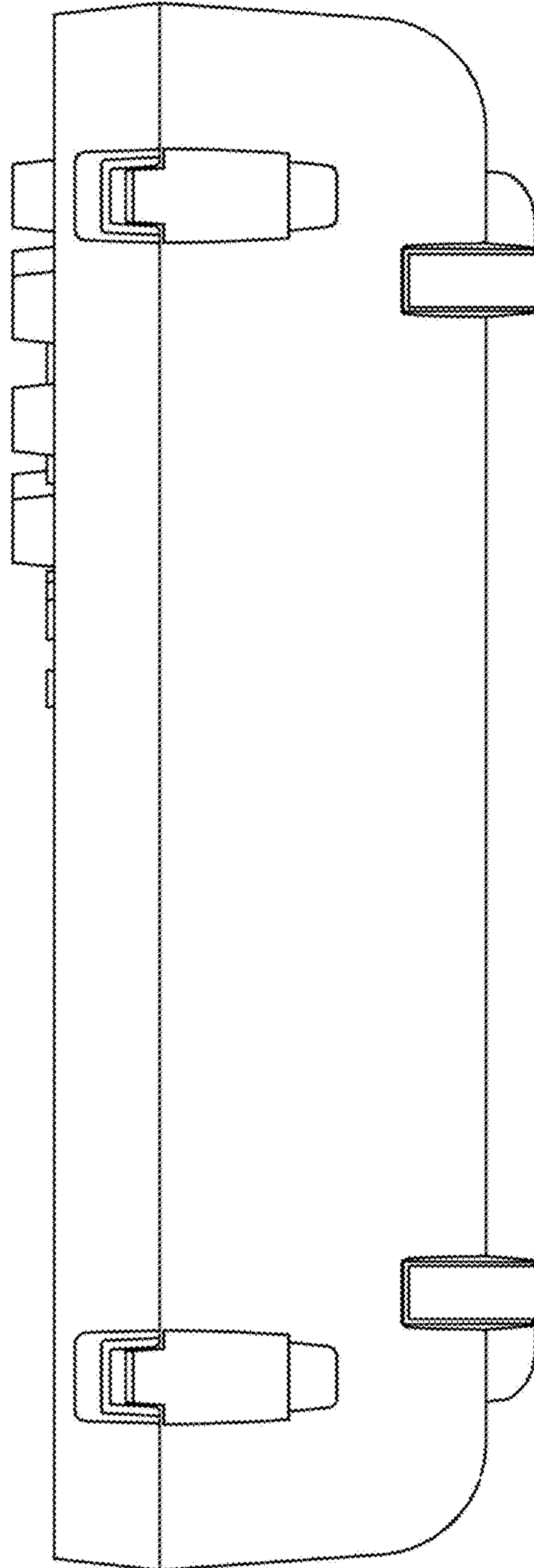


FIG. 21

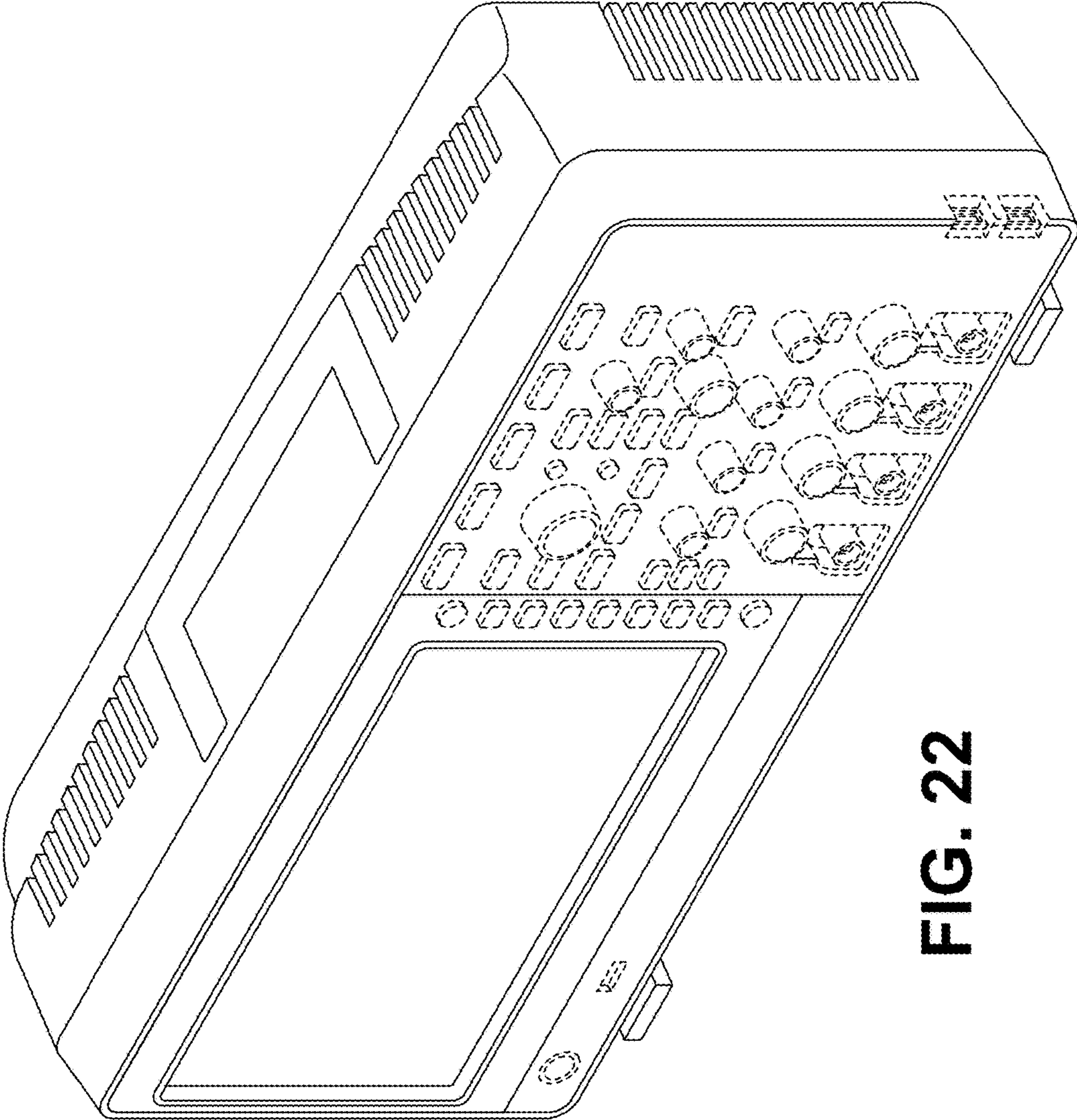


FIG. 22

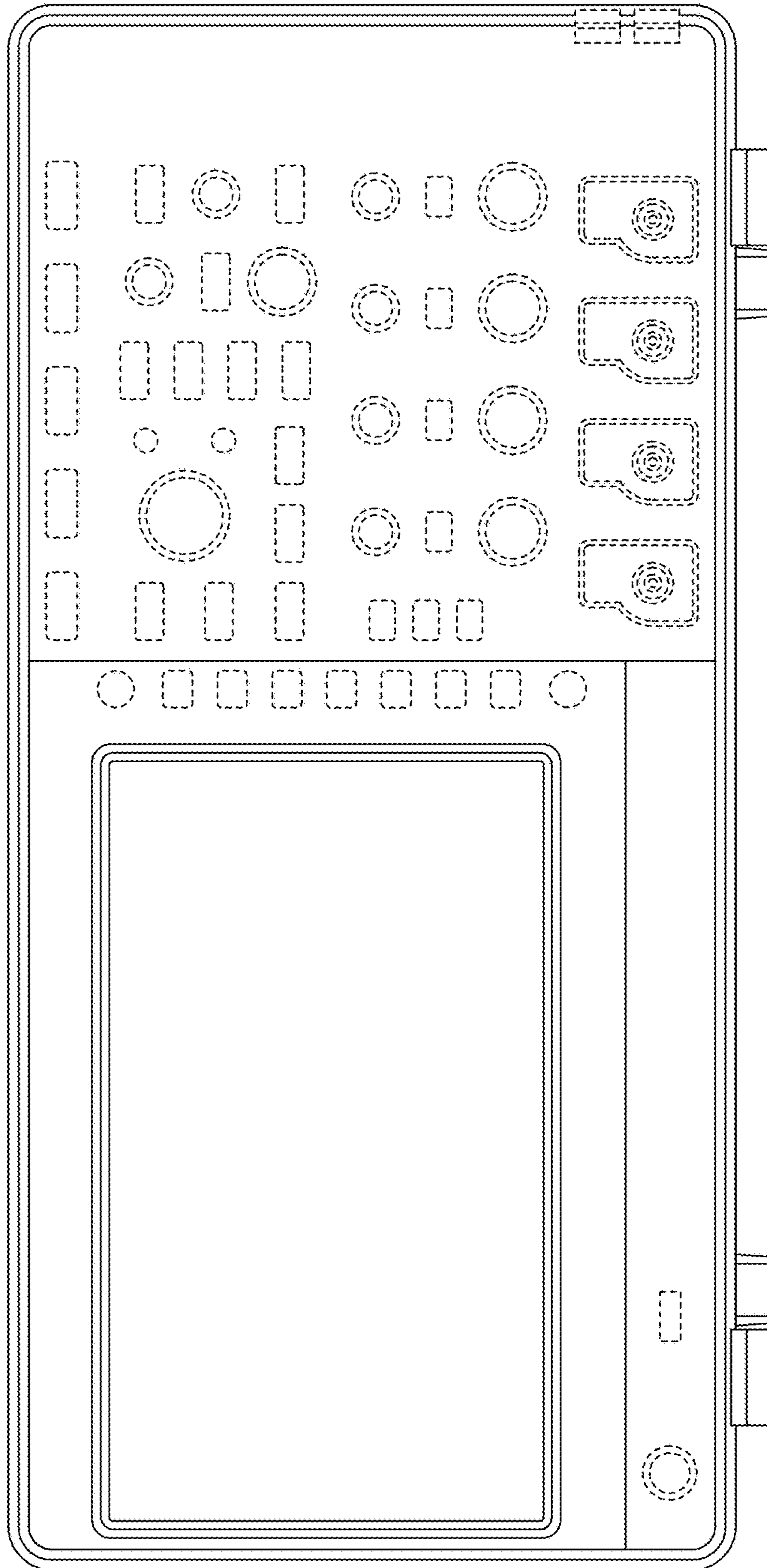


FIG. 23

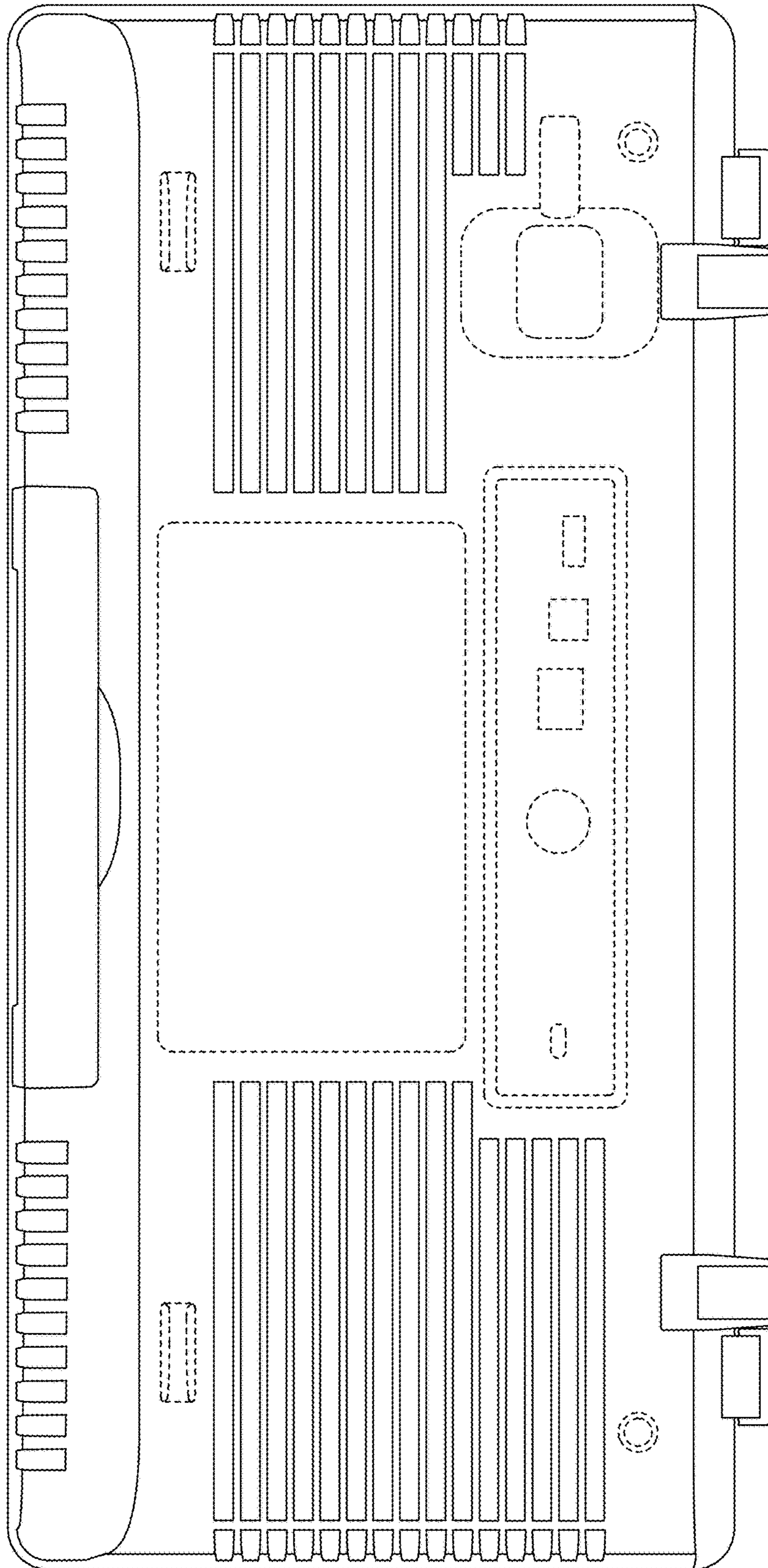


FIG. 24

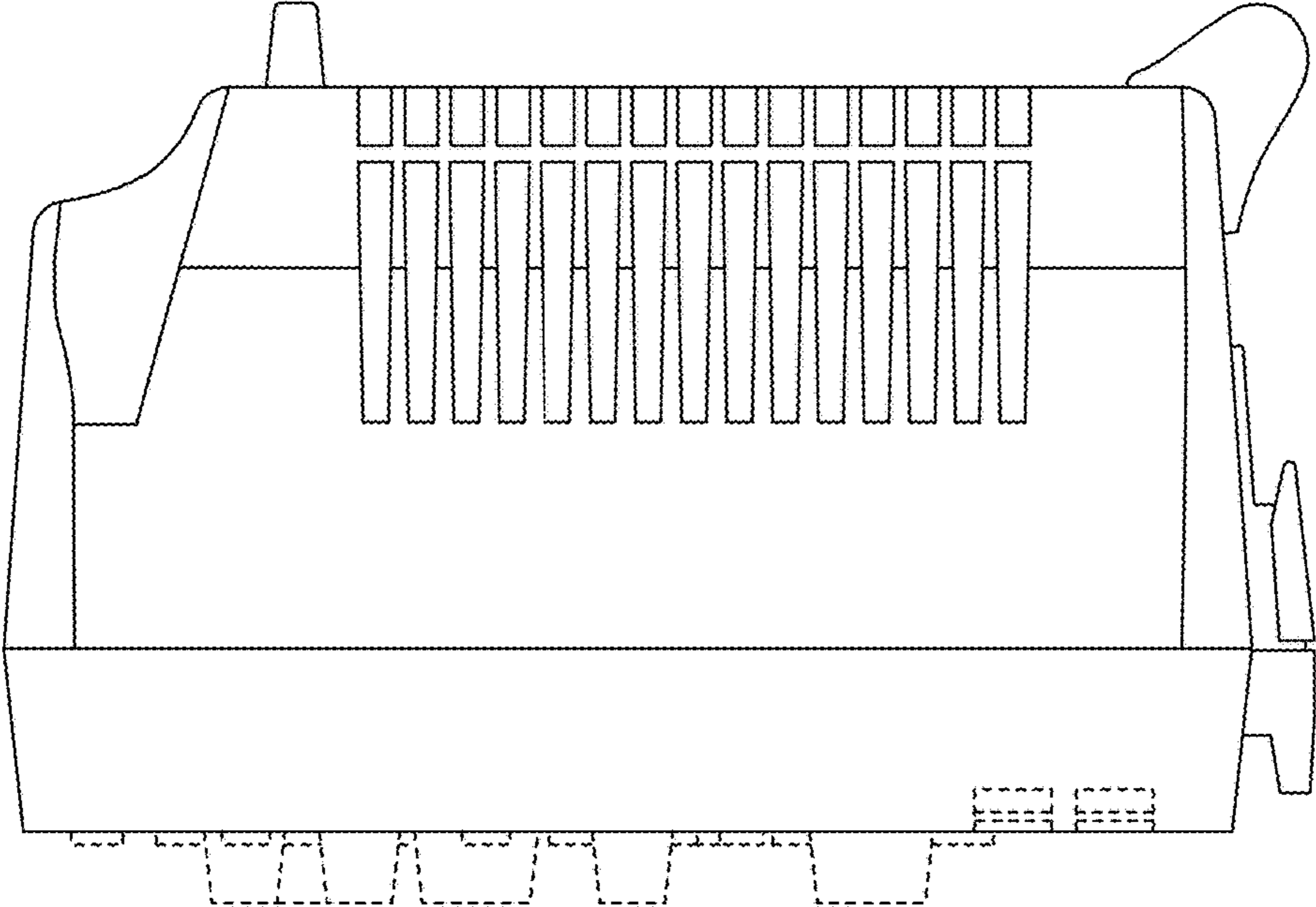


FIG. 26

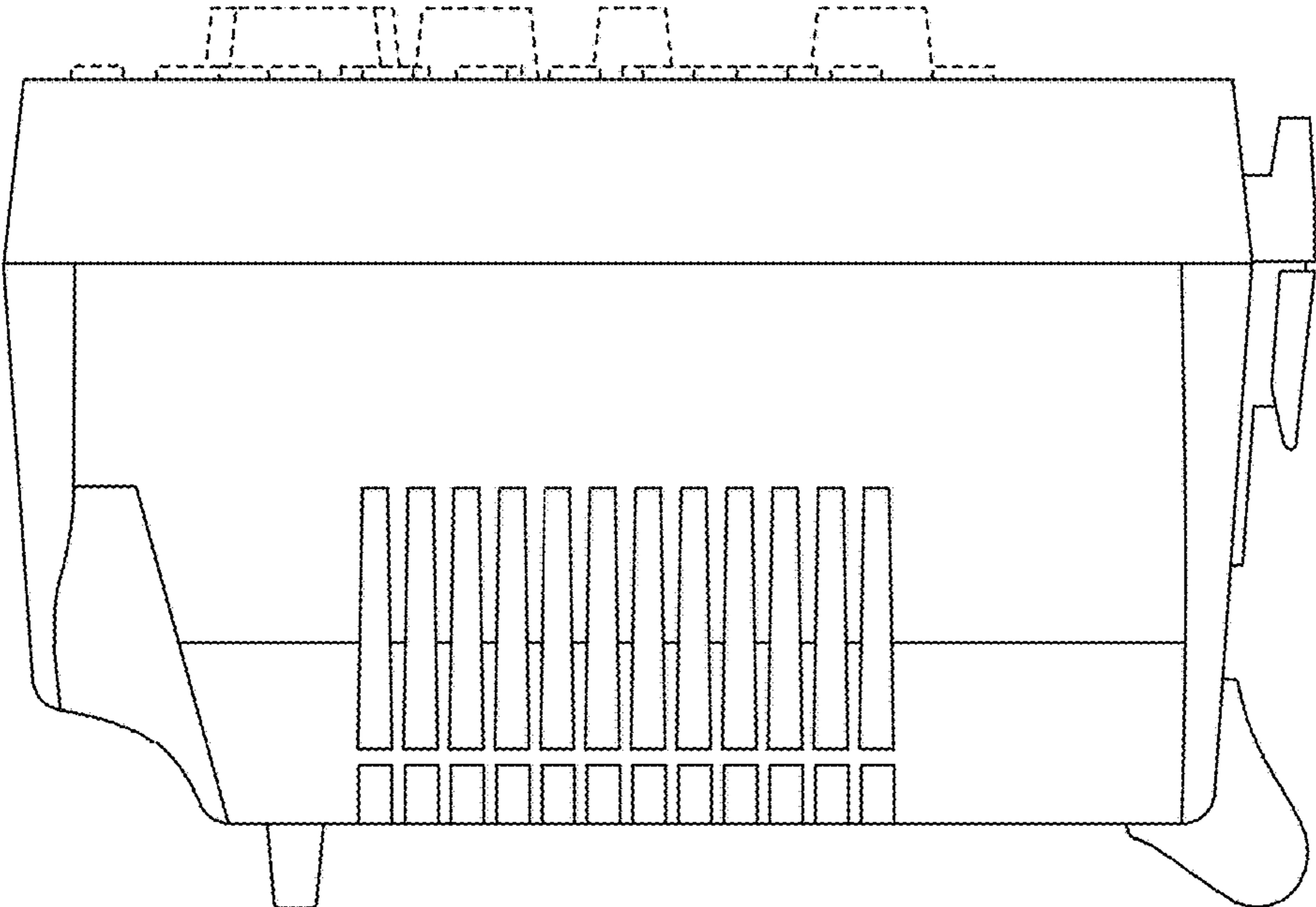


FIG. 25

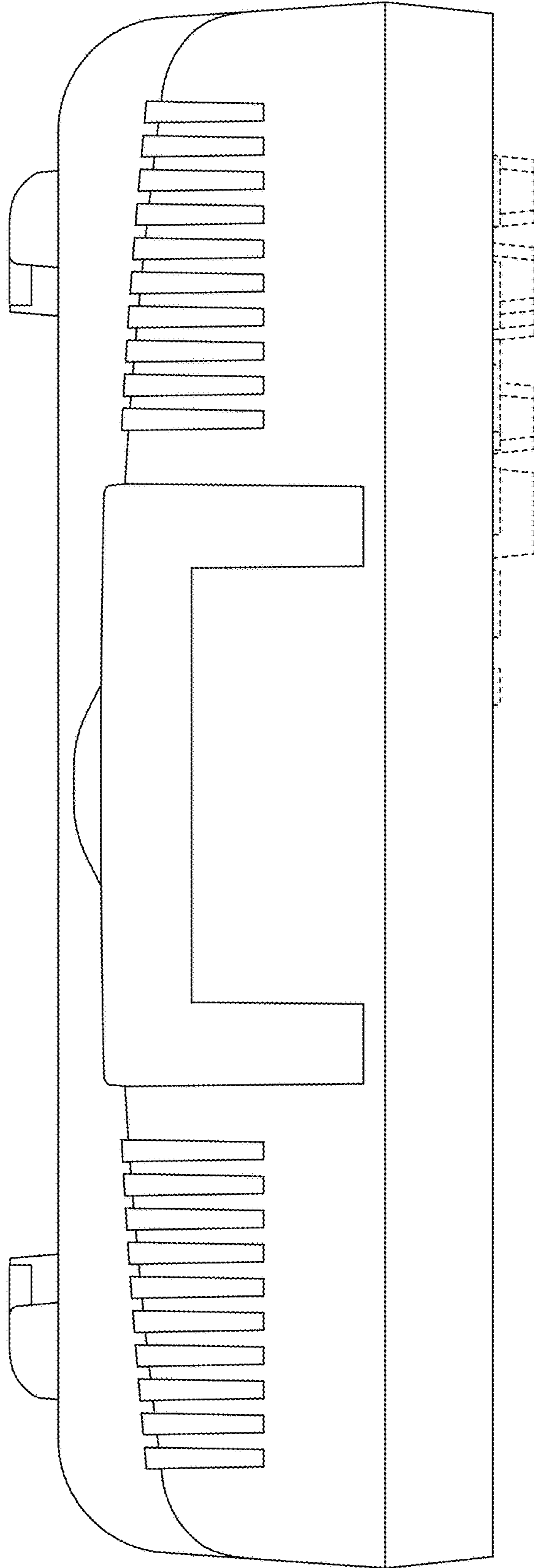


FIG. 27

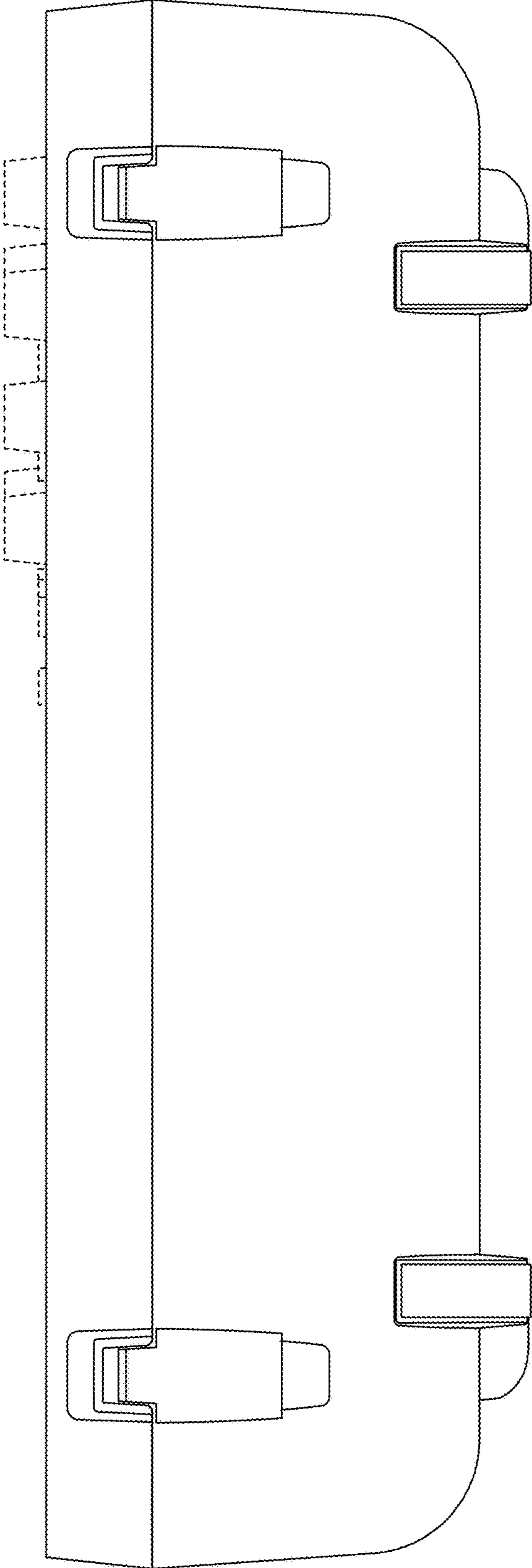


FIG. 28