



US00D821233S

(12) **United States Design Patent**
McGahee et al.

(10) **Patent No.:** **US D821,233 S**
(45) **Date of Patent:** **** Jun. 26, 2018**

- (54) **TREE DIAMETER CALIPER**
- (71) Applicants: **Danny Michael McGahee**, Tignall, GA (US); **Phillip Gregory McGahee**, Lincolnton, GA (US)
- (72) Inventors: **Danny Michael McGahee**, Tignall, GA (US); **Phillip Gregory McGahee**, Lincolnton, GA (US)
- (**) Term: **15 Years**
- (21) Appl. No.: **29/600,824**
- (22) Filed: **Apr. 17, 2017**
- (51) **LOC (11) Cl.** **10-04**
- (52) **U.S. Cl.**
USPC **D10/74**
- (58) **Field of Classification Search**
USPC D10/73, 74
CPC G01B 3/205; G01B 5/0035
See application file for complete search history.

- 4,606,120 A * 8/1986 McAndrew H05K 3/301
174/138 G
- 5,809,660 A * 9/1998 Bitterlich G01B 5/0035
33/555.1
- D678,789 S * 3/2013 Zhang D10/71

* cited by examiner

Primary Examiner — Antoine Duval Davis
(74) *Attorney, Agent, or Firm* — Withers & Keys, LLC

(57) **CLAIM**

The ornamental design for a tree diameter caliper, as shown and described.

DESCRIPTION

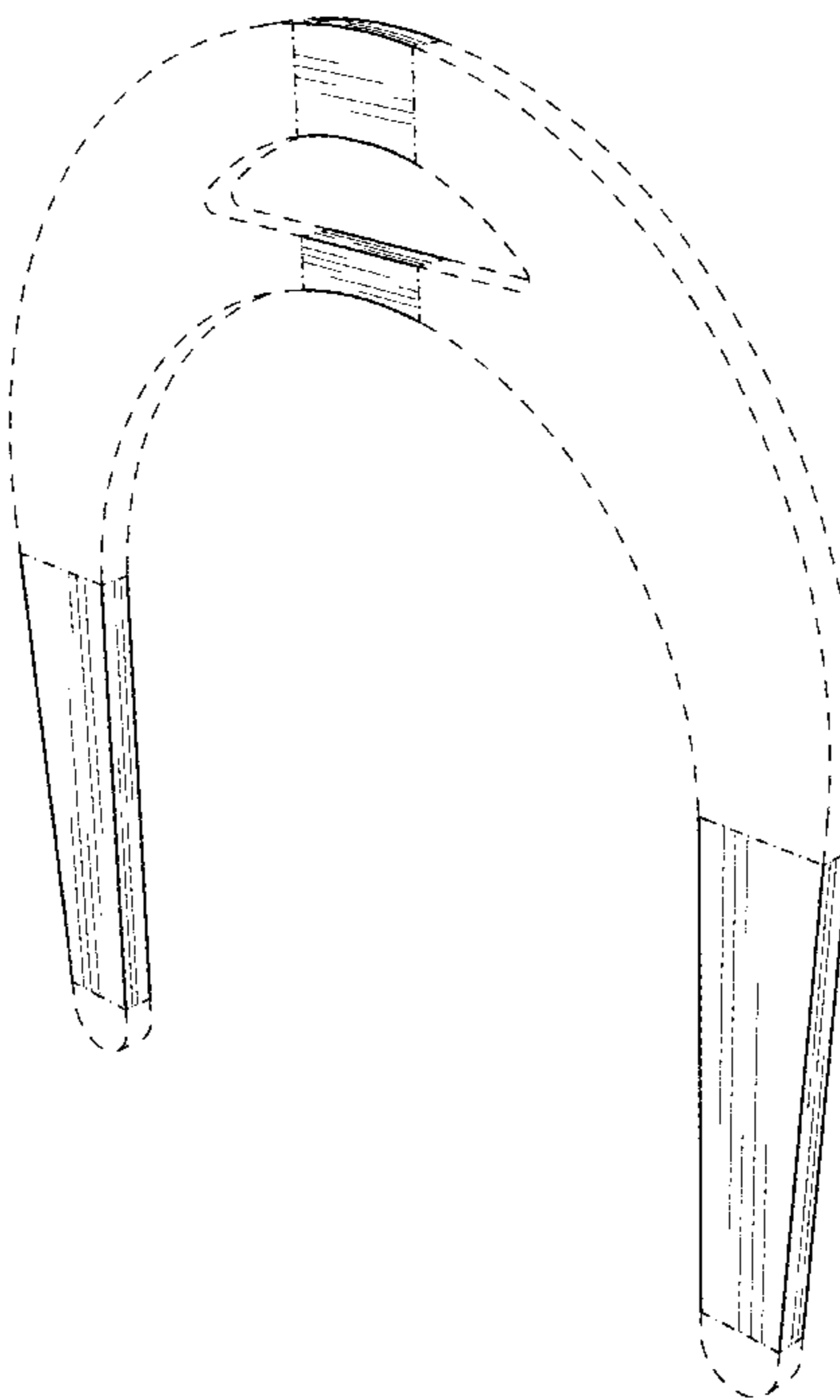
FIG. 1 is a perspective view of a tree diameter caliper showing our new design;
 FIG. 2 is a frontal view of the tree diameter caliper shown in FIG. 1;
 FIG. 3 is rear view of the tree diameter caliper shown in FIG. 1;
 FIG. 4 is a left-side view of the tree diameter caliper shown in FIG. 2;
 FIG. 5 is a right-side view of the tree diameter caliper shown in FIG. 2;
 FIG. 6 is a top view of the tree diameter caliper shown in FIG. 2; and,
 FIG. 7 is a bottom view of the tree diameter caliper shown in FIG. 2.
 The dashed broken lines shown in the drawings illustrate portions of the tree diameter caliper that forms no part of the claimed design.

1 Claim, 7 Drawing Sheets

(56) **References Cited**

U.S. PATENT DOCUMENTS

- 2,834,114 A * 5/1958 Dahlberg G01B 5/0035
33/797
- 2,877,559 A * 3/1959 Dahlberg G01B 5/0035
33/797
- 3,437,022 A * 4/1969 Hamonds, Jr. G01B 5/0035
356/389
- 3,500,547 A * 3/1970 Haagen G01B 3/205
33/783
- D258,942 S * 4/1981 Simon D10/73
- 4,277,237 A * 7/1981 Dermer A61C 19/04
33/514



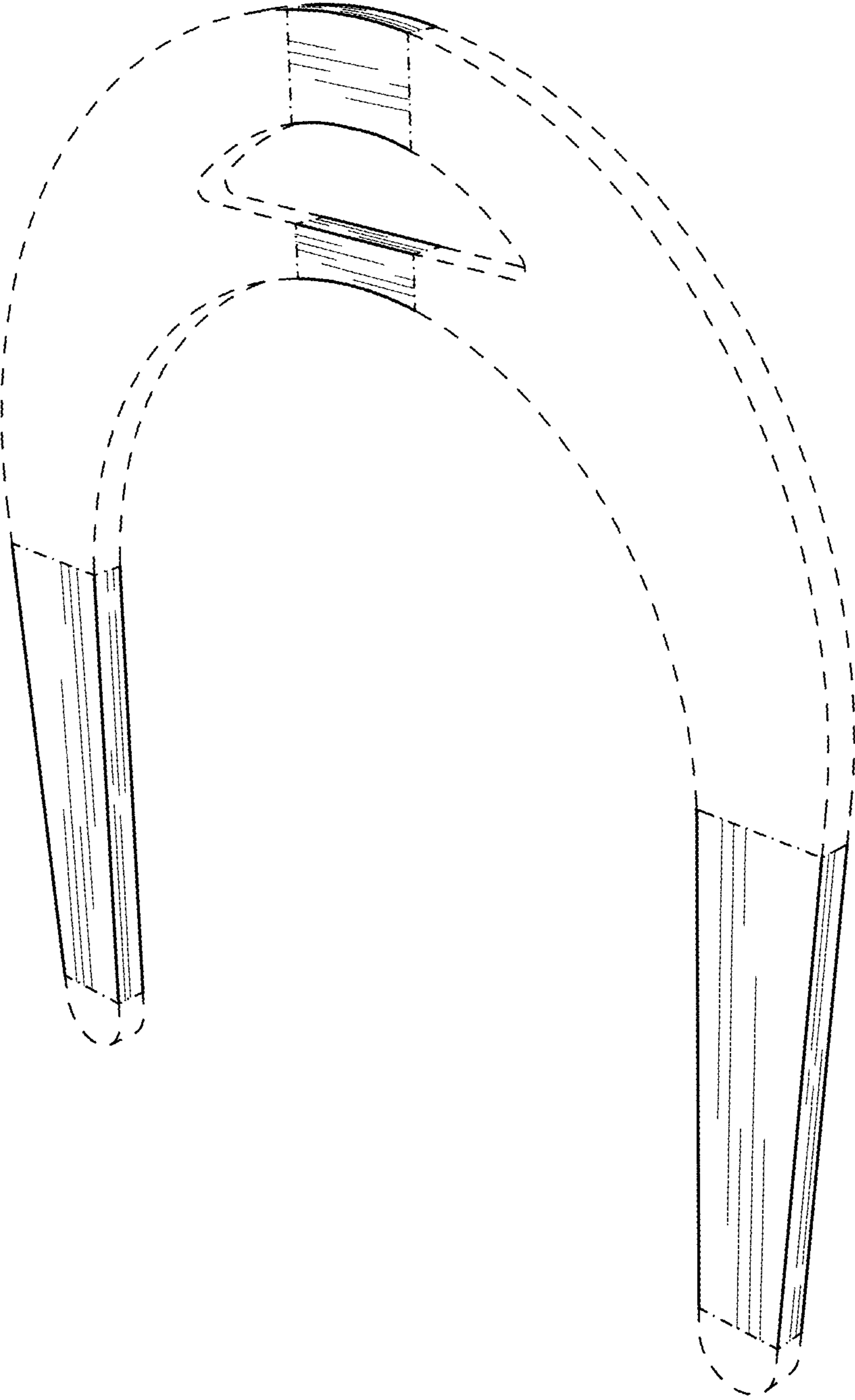


FIG. 1

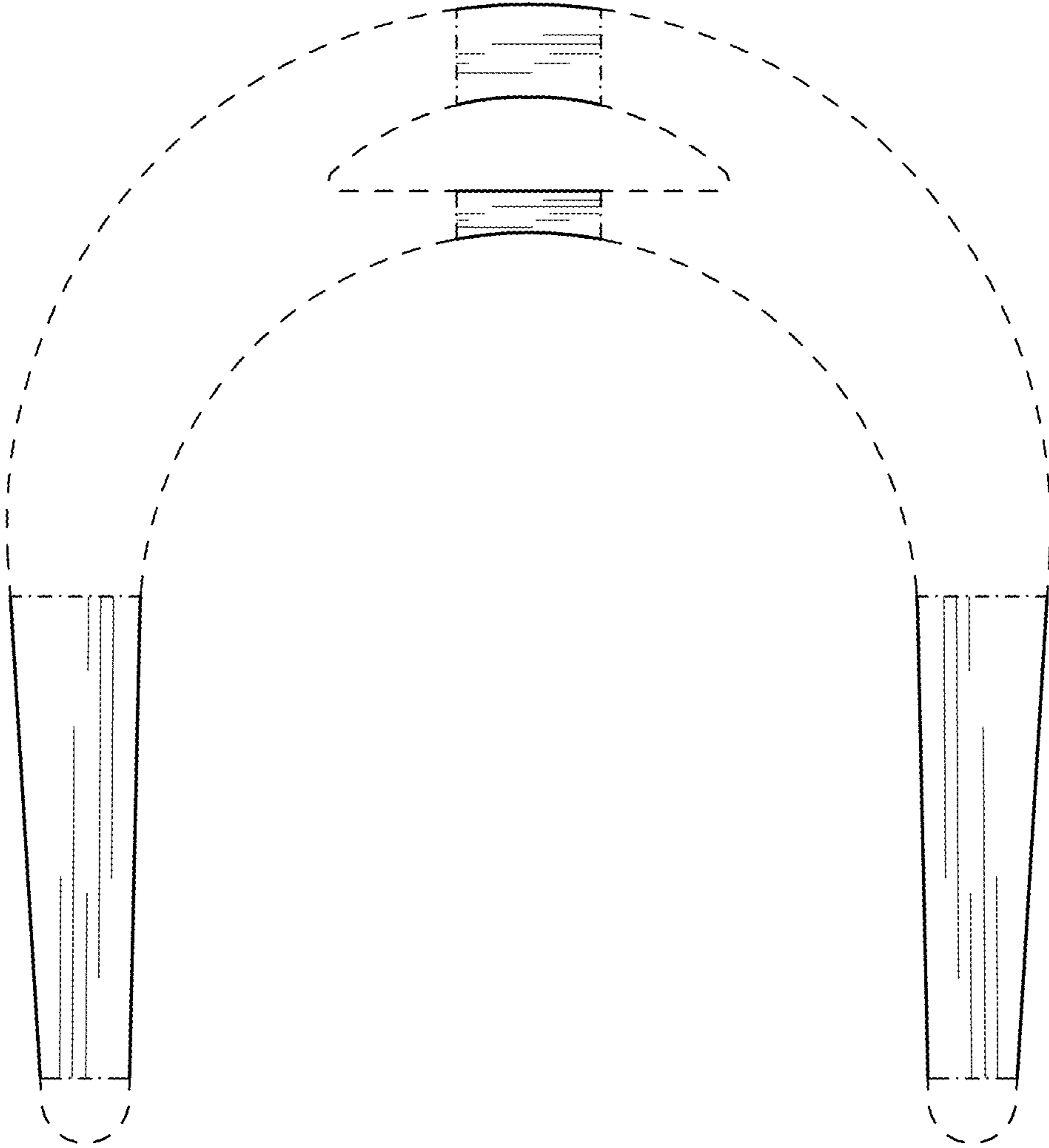


FIG. 2

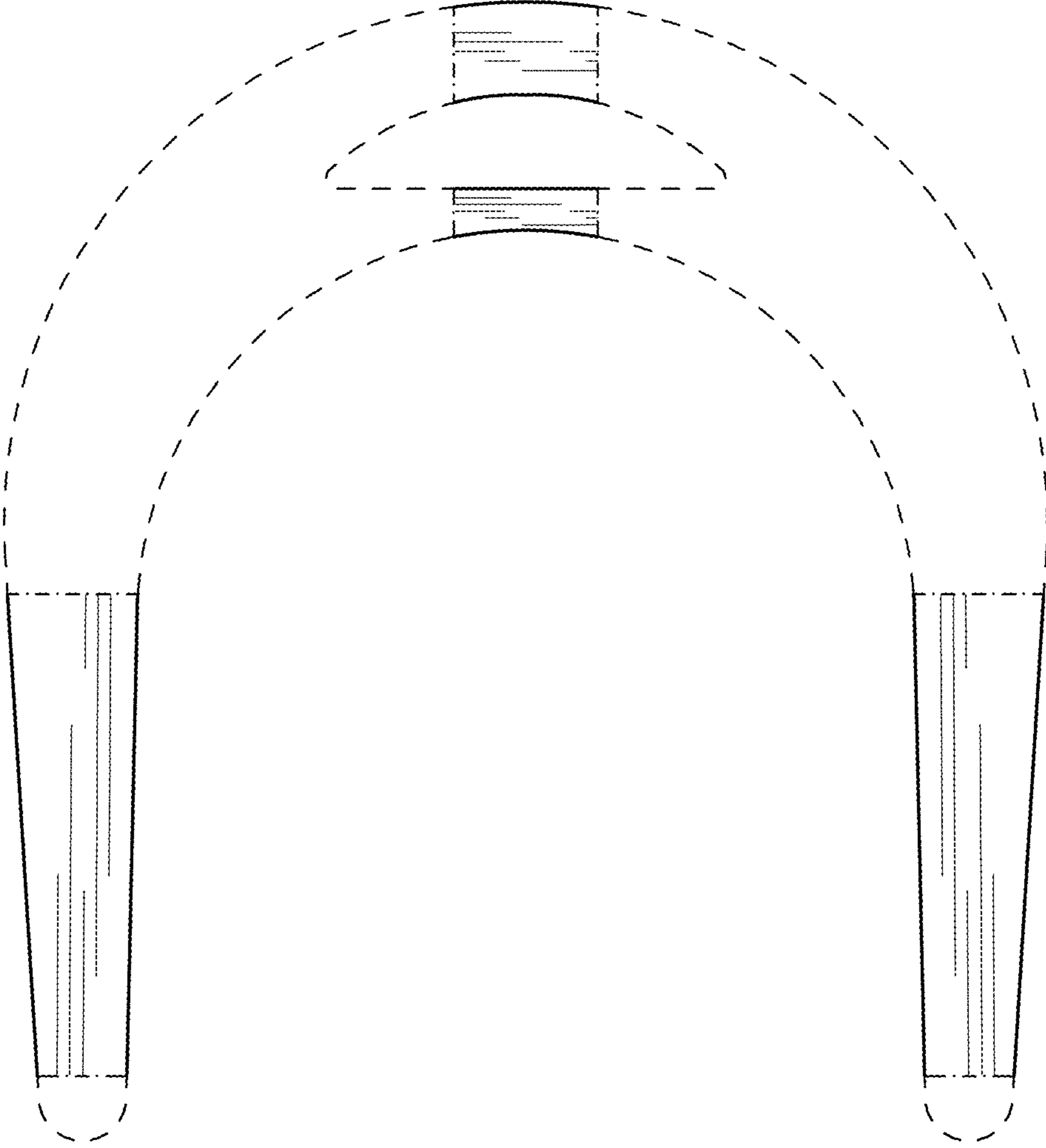


FIG. 3

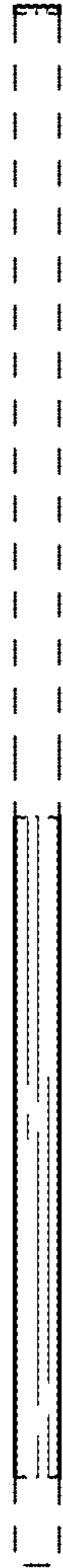


FIG. 4



FIG. 5

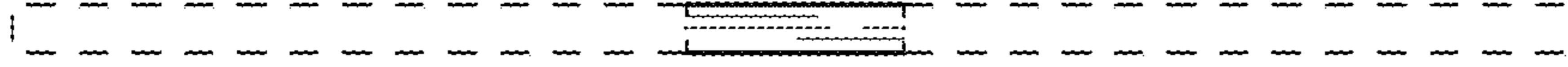


FIG. 6

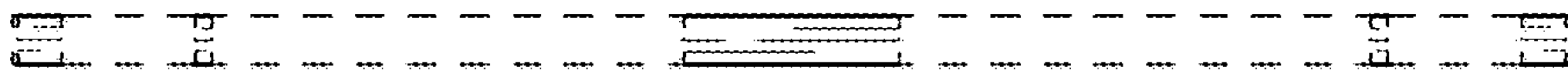


FIG. 7