



US00D821231S

(12) **United States Design Patent** (10) **Patent No.:** **US D821,231 S**
Pan et al. (45) **Date of Patent:** **** Jun. 26, 2018**

(54) **WEARABLE DEVICE**

A63C 11/02; A61B 5/681; A61B 5/6824;
A61B 5/6825; A61B 5/6826

(71) Applicant: **HUAWEI TECHNOLOGIES CO., LTD.**, Shenzhen (CN)

See application file for complete search history.

(72) Inventors: **Dinglong Pan**, Shenzhen (CN); **Xiang Yuan**, Shenzhen (CN); **Yanjie Chen**, Shenzhen (CN); **Hon Wing Chan**, Shenzhen (CN)

(56) **References Cited**

U.S. PATENT DOCUMENTS

D754,549 S *	4/2016	Takahashi	D10/128
D755,061 S *	5/2016	Nakai	D10/32
D758,886 S *	6/2016	Kimura	D10/128
D758,887 S *	6/2016	Sasaki	D10/128
D776,550 S *	1/2017	Nakai	D10/132
D793,878 S *	8/2017	Blotacker	D10/38
D793,880 S *	8/2017	Takahashi	D10/30

(73) Assignee: **Huawei Technologies Co., Ltd.** (CN)

(**) Term: **15 Years**

* cited by examiner

(21) Appl. No.: **29/600,551**

Primary Examiner — Antoine Duval Davis

(22) Filed: **Apr. 13, 2017**

(74) *Attorney, Agent, or Firm* — Design IP

(30) **Foreign Application Priority Data**

Oct. 14, 2016 (CN) 2016 3 0503219

(51) **LOC (11) Cl.** **10-04**

(52) **U.S. Cl.**
USPC **D10/70**; D10/39; D14/344; D24/167

(58) **Field of Classification Search**
USPC D10/30–39, 65, 70, 78, 97, 98; D11/3, D11/86; D14/138 R, 203.5, 203.6, 341, D14/344, 347; D24/167, 168, 186
CPC G04B 19/00–19/34; G04B 21/12; G04B 23/12; G04B 37/00–37/228; G04B 47/00–47/068; G01C 17/00; G01C 21/00–21/3697; G01C 22/00–22/025; G01C 23/00–23/005; G01C 21/16; G06F 19/3481; G06F 3/00–3/027; G01P 1/00–1/26; G01P 15/00–15/18; A63B 24/00–2024/0096; A63B 2213/00; A63B 69/0028; A63B 2071/0658–2071/0666; A63B 2220/00–2220/89; A63B 2225/02;

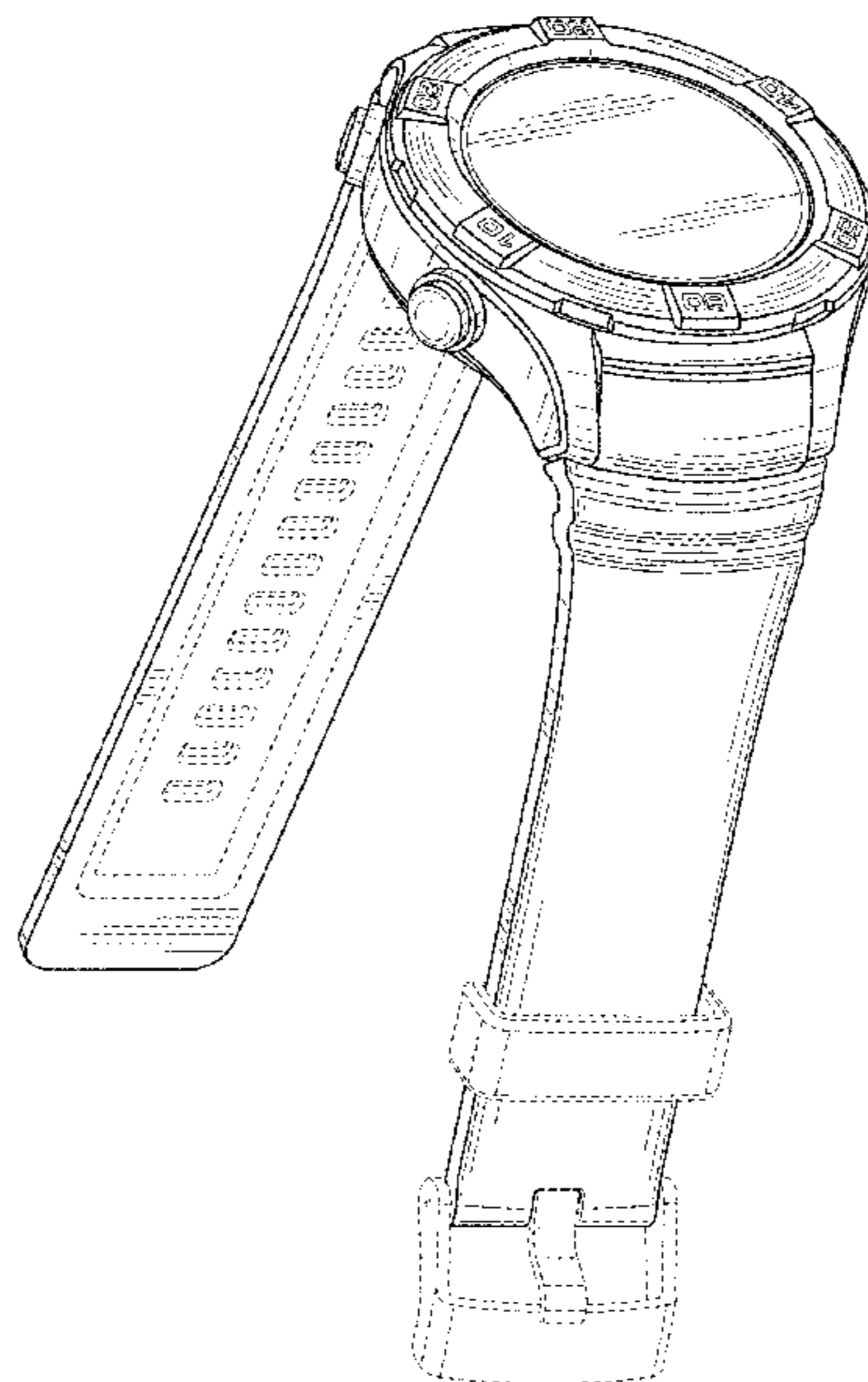
(57) **CLAIM**

The ornamental design for a wearable device, as shown and described.

DESCRIPTION

FIG. 1 is a front perspective view of a wearable device showing our new design;
FIG. 2 is a front view thereof;
FIG. 3 is a rear view thereof;
FIG. 4 is a left side view thereof;
FIG. 5 is a right side view thereof;
FIG. 6 is a top view thereof; and,
FIG. 7 is a bottom view thereof.
The broken line showing of portions of the wearable device in FIGS. 1 through 7 is for the purpose of illustrating environmental structure and forms no part of the claimed design. The oblique line shading shown in FIGS. 1 and 6 represents a transparent surface.

1 Claim, 7 Drawing Sheets



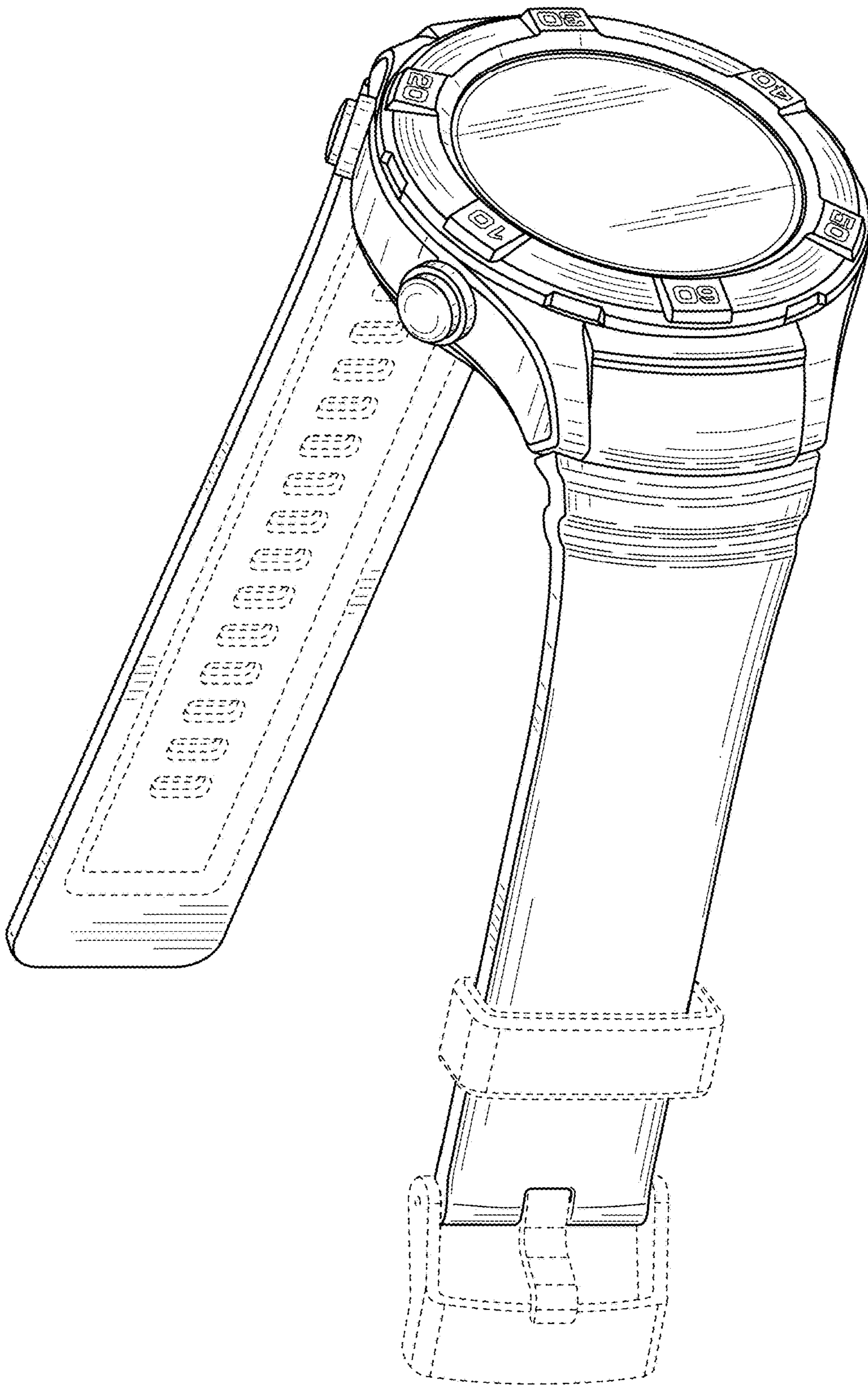


FIG. 1

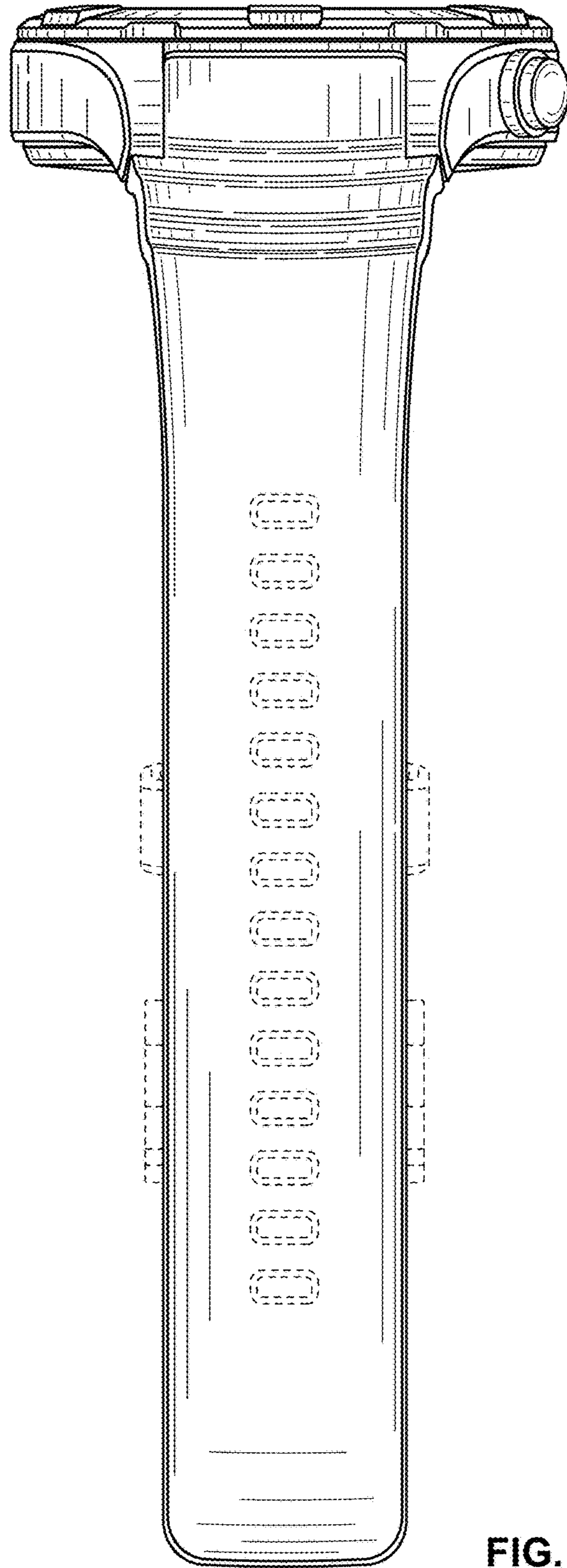


FIG. 2

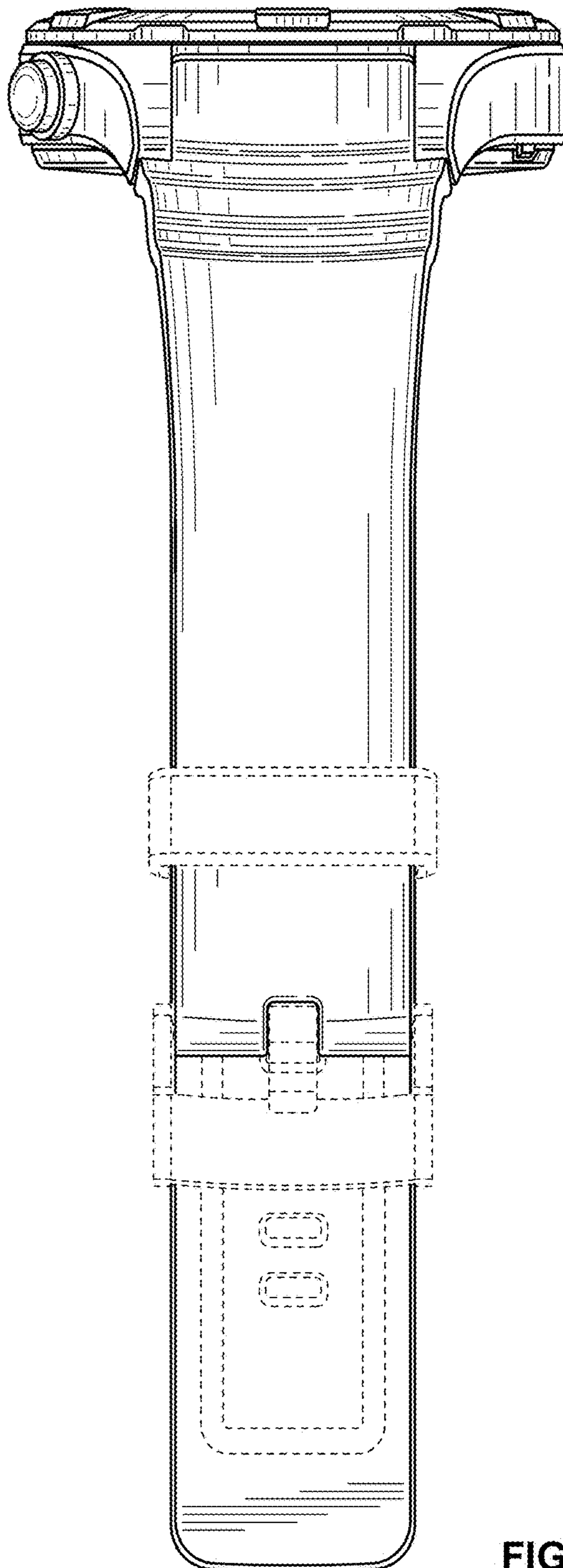


FIG. 3

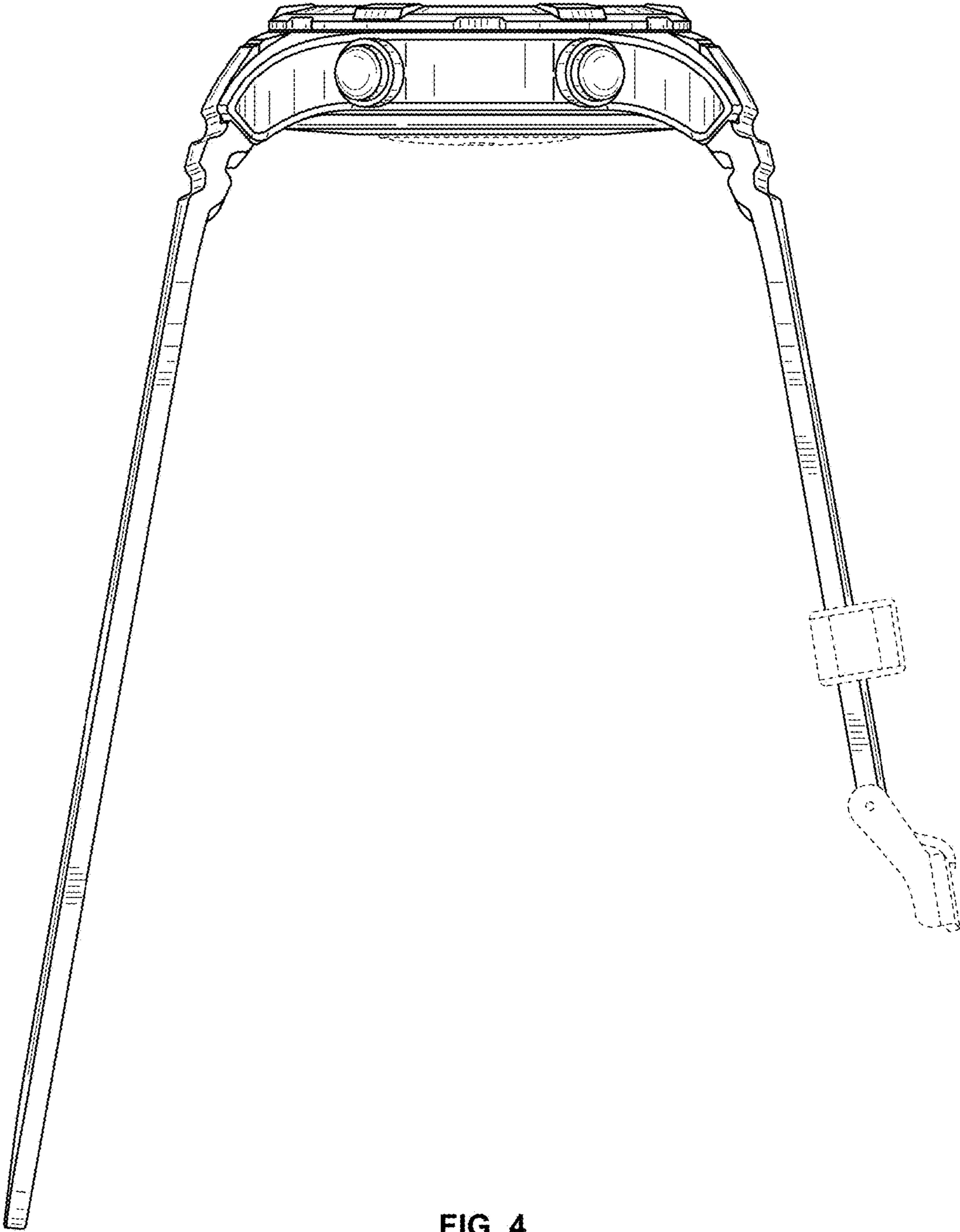


FIG. 4

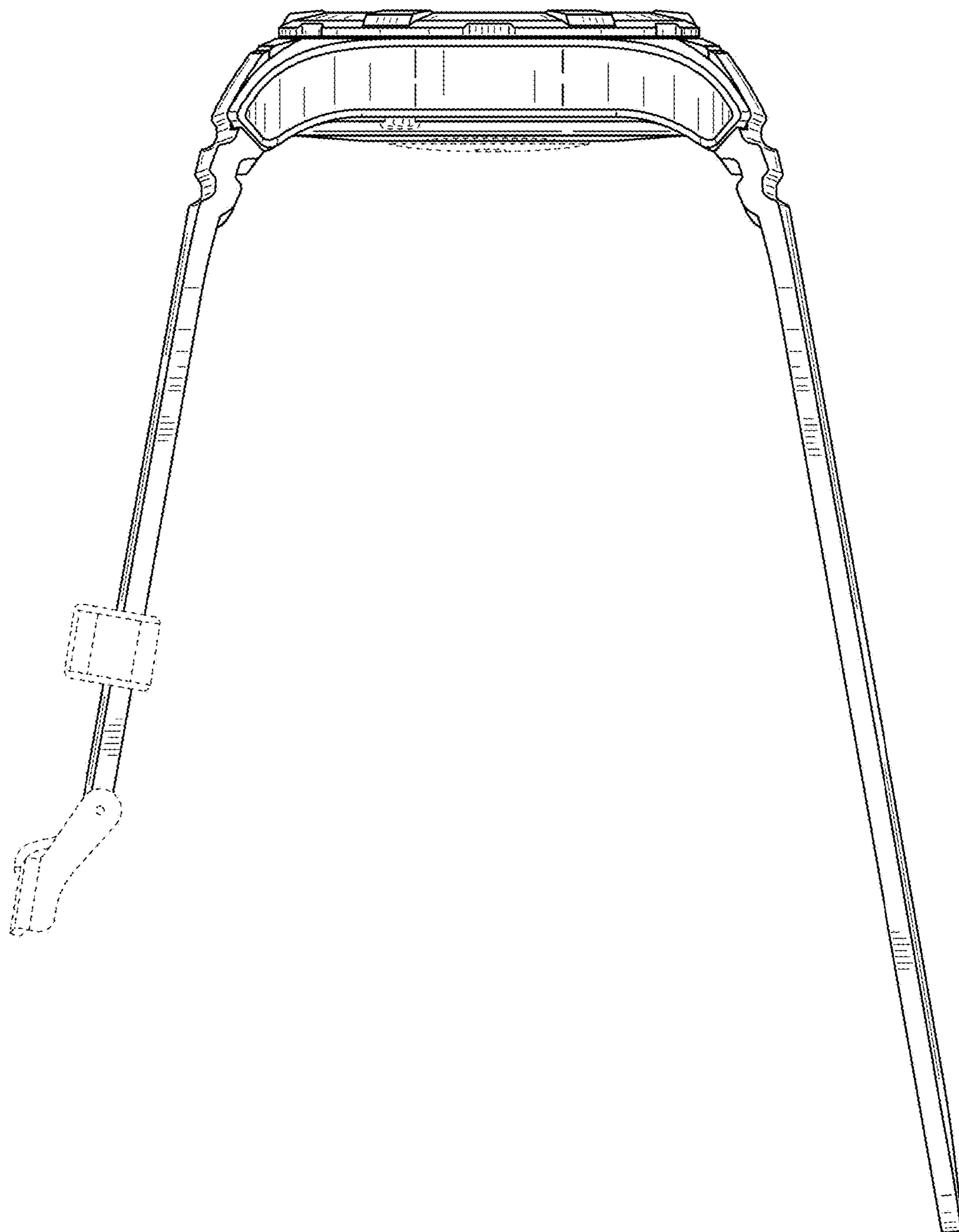


FIG. 5

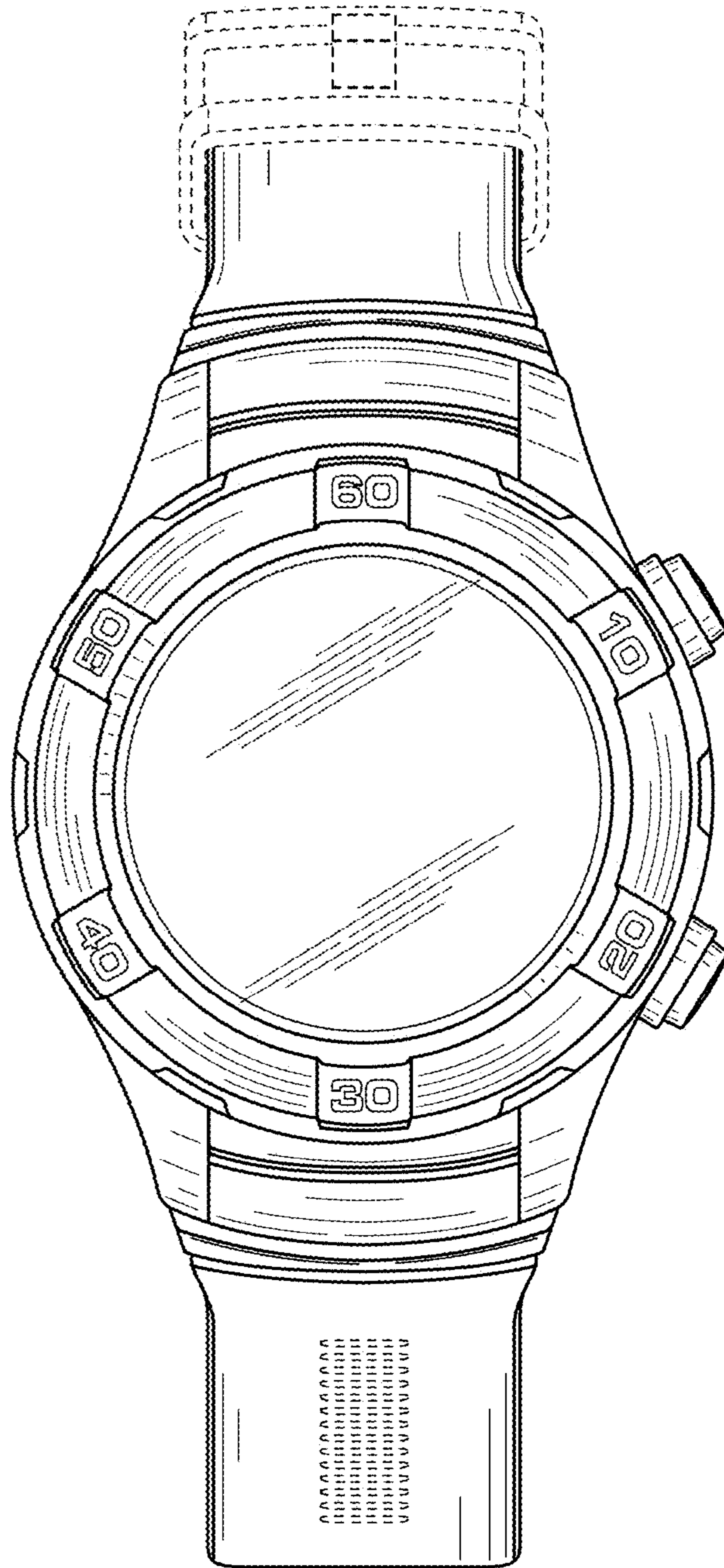


FIG. 6

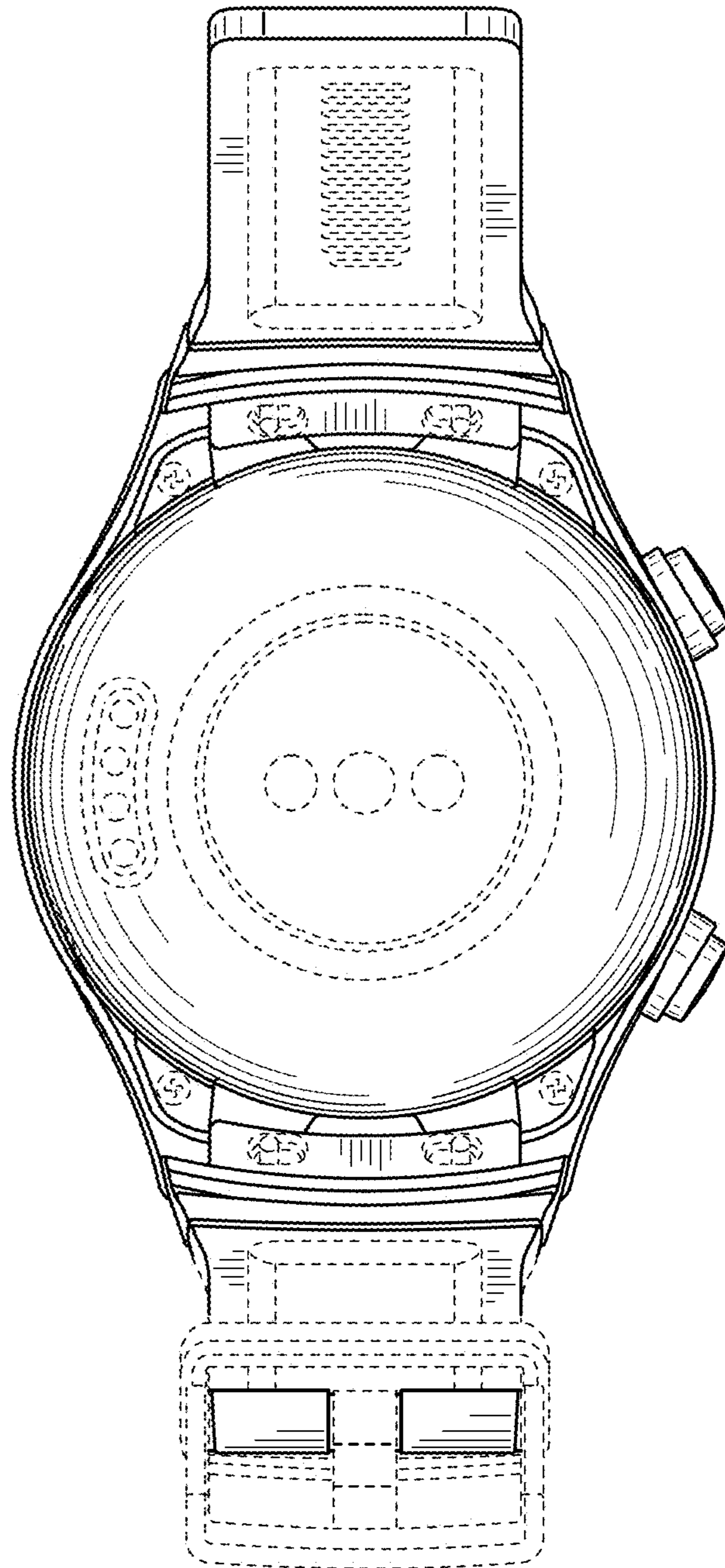


FIG. 7