



US00D821230S

(12) **United States Design Patent**
Murphy et al.

(10) **Patent No.:** **US D821,230 S**
(45) **Date of Patent:** **** Jun. 26, 2018**

(54) **OUTDOOR WEATHER SENSOR**

- (71) Applicant: **COMBEX, INC.**, Lake Geneva, WI (US)
- (72) Inventors: **Matthew T. Murphy**, Elkhorn, WI (US); **Ryan Torgerson**, Burlington, WI (US)
- (73) Assignee: **COMBEX, INC.**, Lake Geneva, WI (US)

(**) Term: **15 Years**

(21) Appl. No.: **29/587,003**

(22) Filed: **Dec. 8, 2016**

(51) **LOC (11) Cl.** **10-04**

(52) **U.S. Cl.**
USPC **D10/53**

(58) **Field of Classification Search**
USPC D10/52, 53
CPC G01S 5/0009; G01S 5/0018; G01S 5/0036;
G01W 1/02; G01W 1/04; G01W 1/06;
G01W 1/10; G01W 1/11; G01W 1/12;
G01W 1/14; G01W 1/16; G01W 1/17;
G01W 1/18; G01W 2001/006; G01W
2201/00; G01W 2203/00
See application file for complete search history.

(56) **References Cited**

U.S. PATENT DOCUMENTS

- D675,944 S * 2/2013 Murphy D10/53
- 9,696,459 B1 * 7/2017 Murphy G01W 1/10

* cited by examiner

Primary Examiner — Antoine Duval Davis
(74) *Attorney, Agent, or Firm* — Michael Best & Friedrich LLP

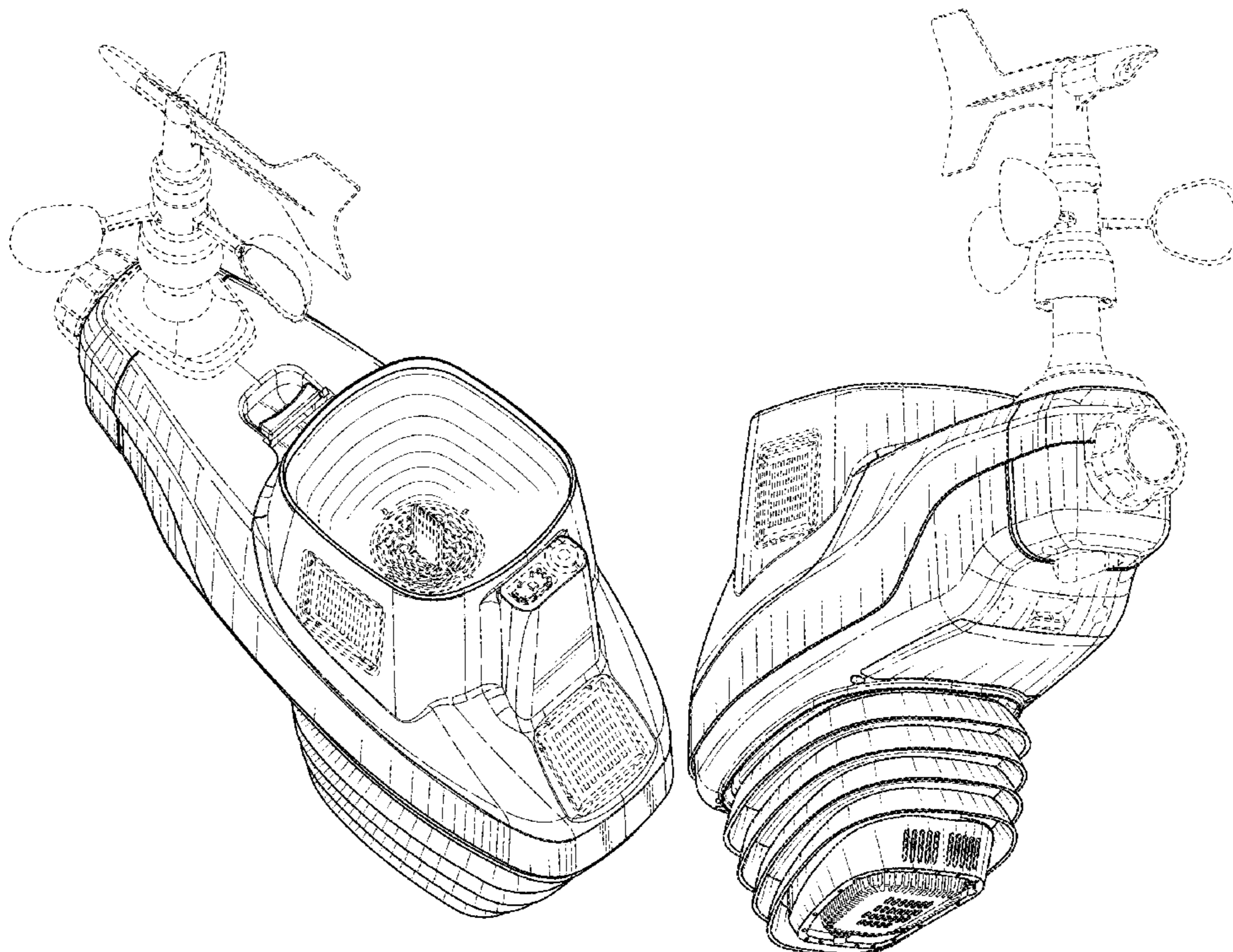
(57) **CLAIM**

The ornamental design for an outdoor weather sensor, as shown and described.

DESCRIPTION

FIG. 1 is a front perspective view of a first embodiment of the outdoor weather sensor of the present design; FIG. 2 is a rear perspective view of the embodiment of FIG. 1; FIG. 3 is a front elevation view of the embodiment of FIGS. 1 and 2; FIG. 4 is a rear elevation view of the embodiment of FIGS. 1 and 2; FIG. 5 is a left side elevation view of the embodiment of FIGS. 1 and 2; FIG. 6 is a right side elevation view of the embodiment of FIGS. 1 and 2; FIG. 7 is a top plan view of the embodiment of FIGS. 1 and 2; and, FIG. 8 is a bottom plan view of the embodiment of FIGS. 1 and 2. The broken lines in FIGS. 1-8 illustrate portions of the outdoor weather sensor and form no part of the claimed design.

1 Claim, 6 Drawing Sheets



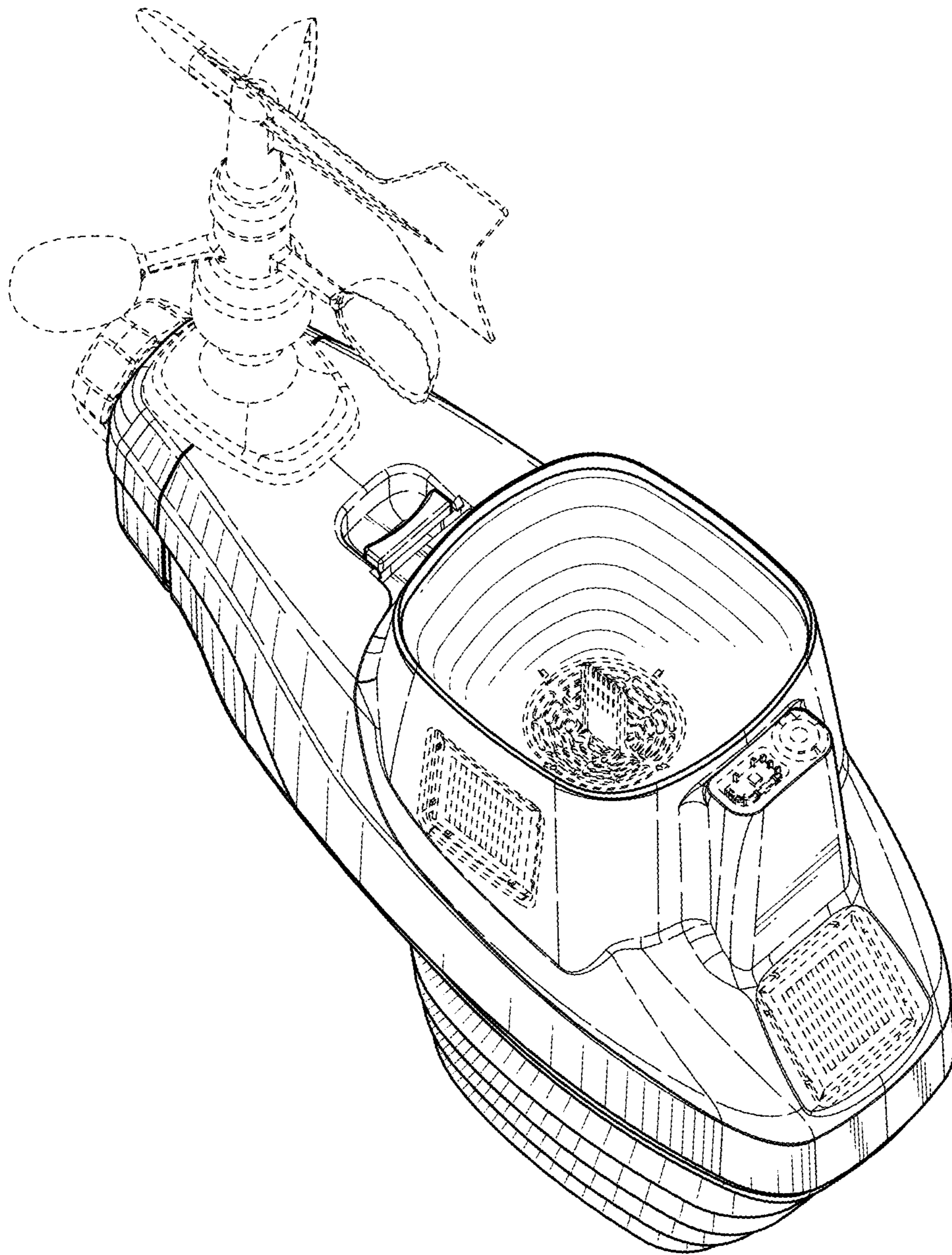


FIG. 1

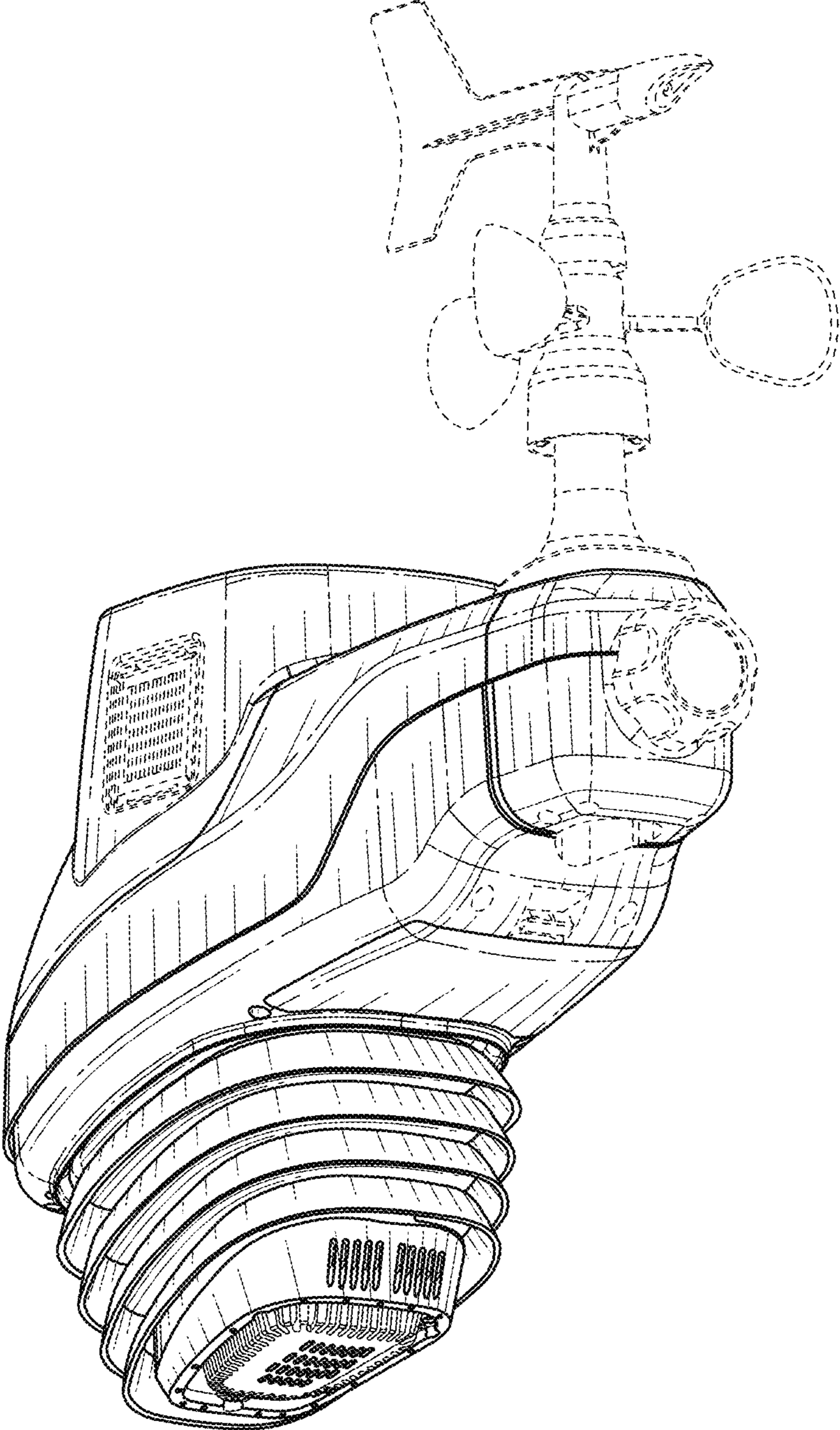


FIG. 2

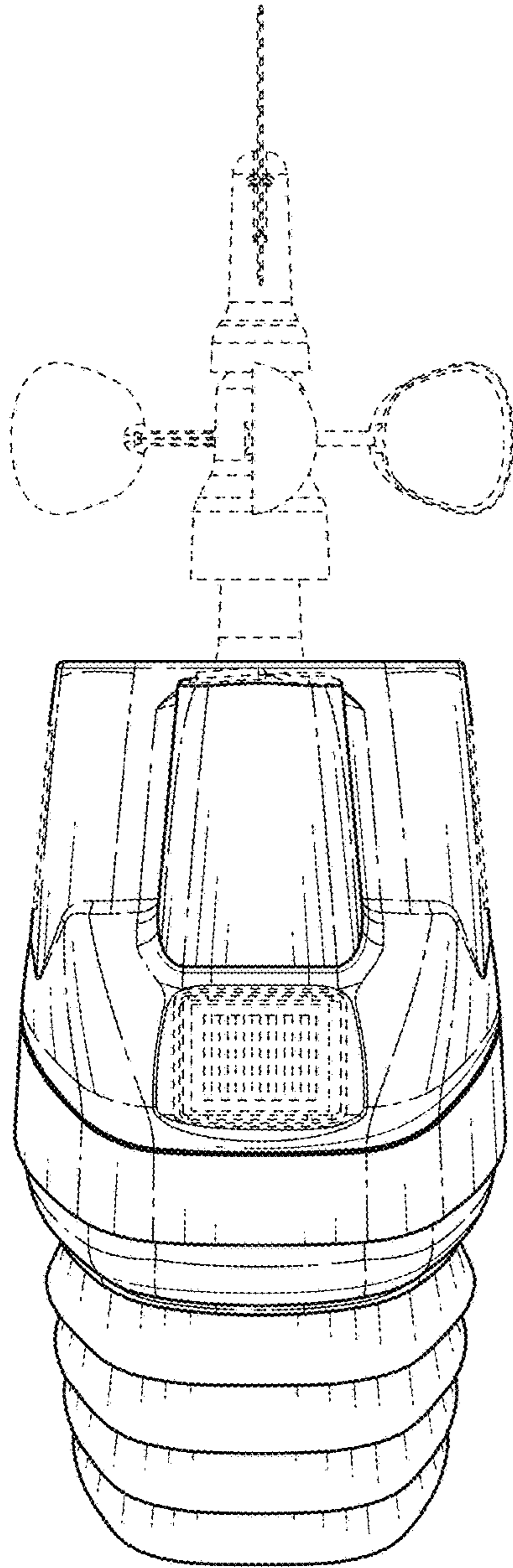


FIG. 3

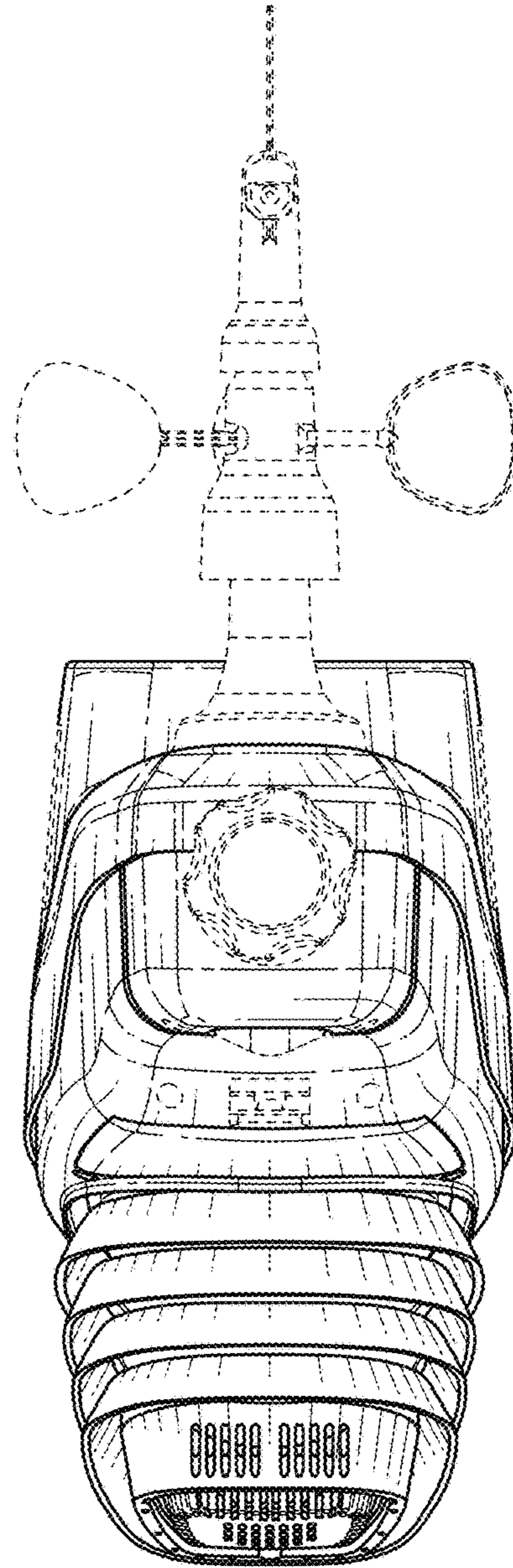


FIG. 4

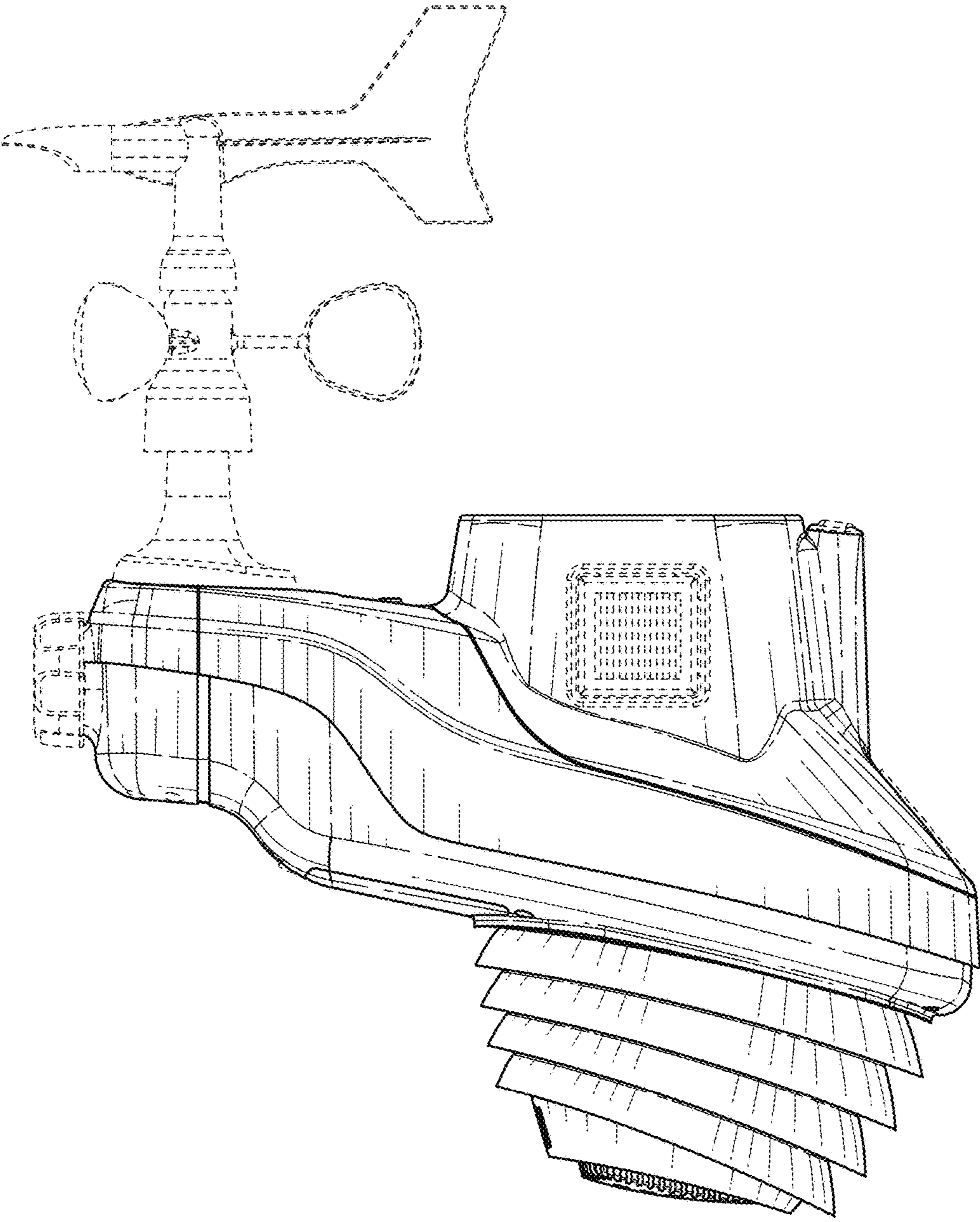


FIG. 5

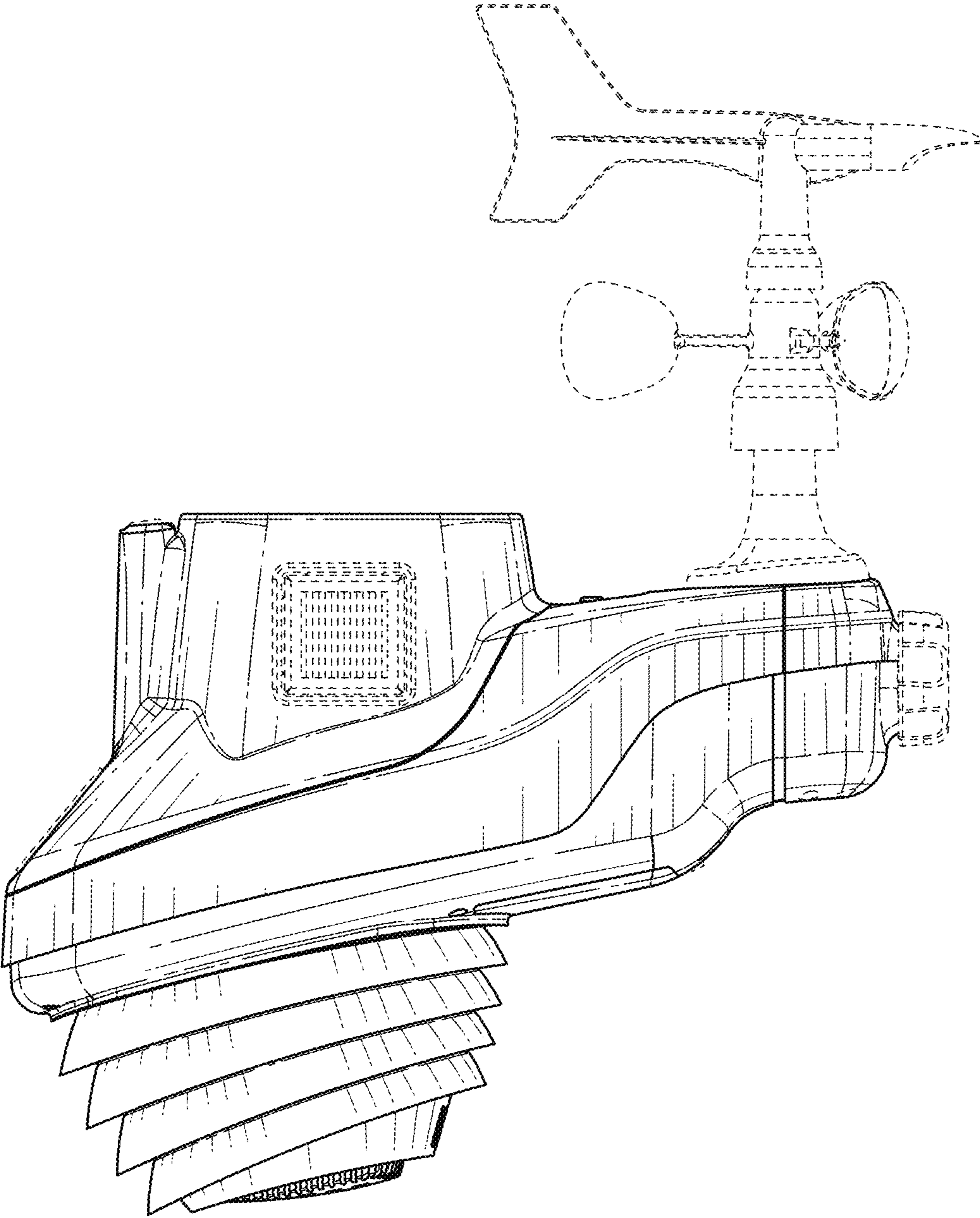


FIG. 6

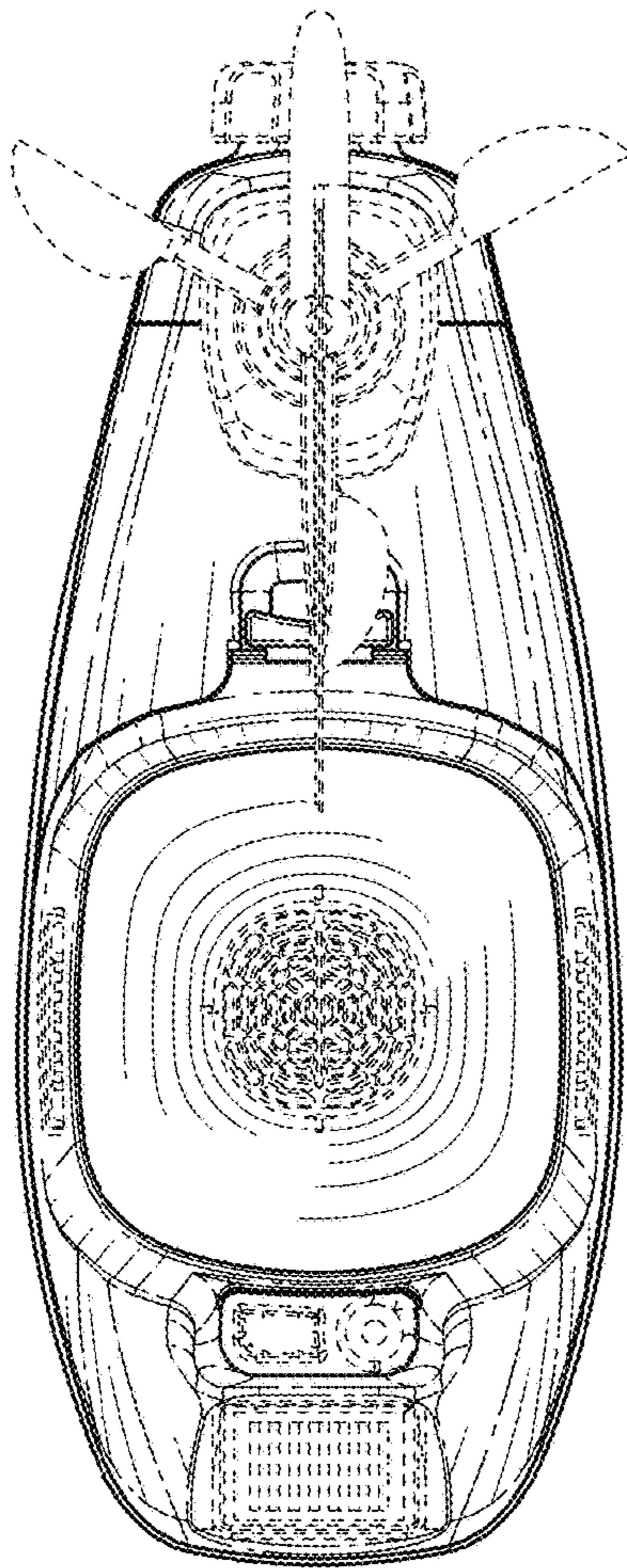


FIG. 7

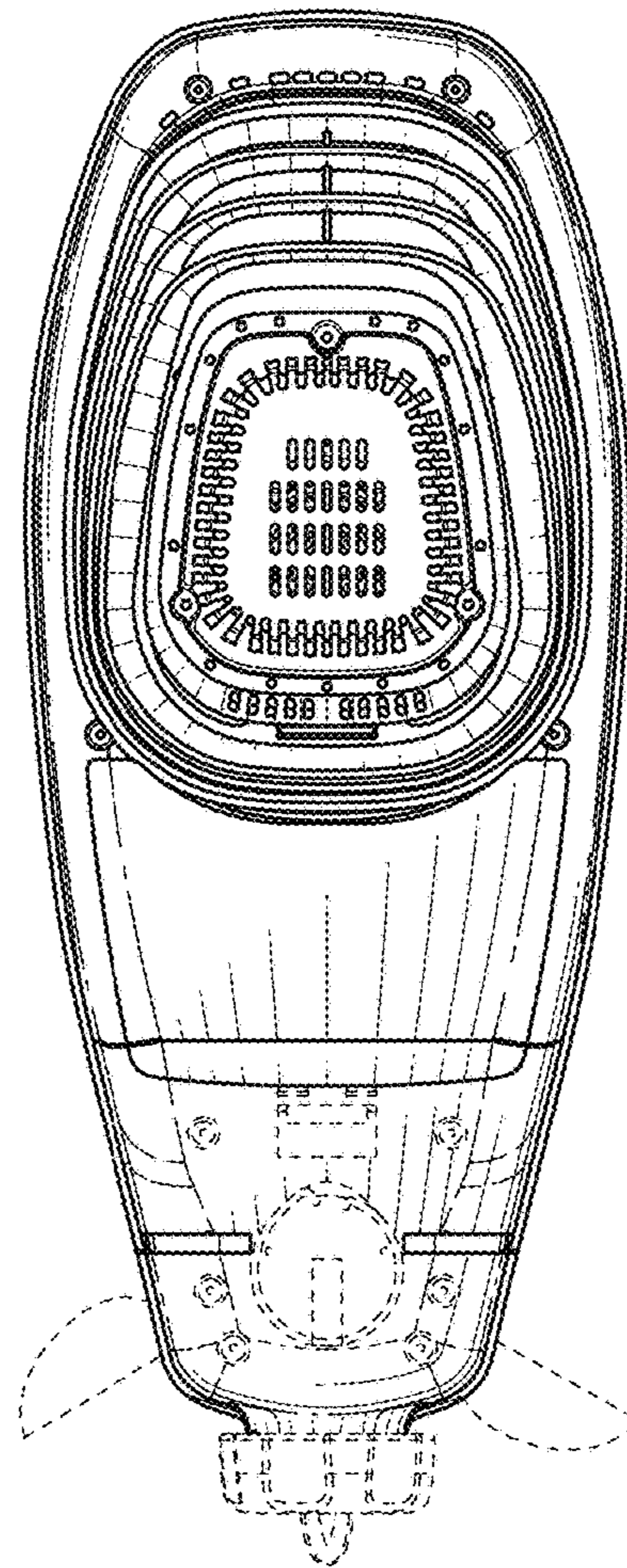


FIG. 8