



US00D821229S

(12) **United States Design Patent**
Ruffieux

(10) **Patent No.:** **US D821,229 S**
(45) **Date of Patent:** **** Jun. 26, 2018**

- (54) **WATCH**
- (71) Applicant: **Montblanc-Simplo GmbH**, Hamburg (DE)
- (72) Inventor: **Leila Ruffieux**, Neuchatel (CH)
- (73) Assignee: **Montblanc-Simplo GmbH**, Hamburg (DE)
- (**) Term: **15 Years**
- (21) Appl. No.: **29/587,791**
- (22) Filed: **Dec. 15, 2016**
- (51) **LOC (11) Cl.** **10-02**
- (52) **U.S. Cl.**
USPC **D10/38**
- (58) **Field of Classification Search**
USPC D10/14, 30-39, 65, 70, 122-132;
D14/344, 138 R; 368/127
CPC ... G04F 1/00; G04F 1/06; G04F 1/063; G04F 7/06; G04F 7/0861; G04F 7/0871; G04F 7/08; G04F 7/0804; G04F 7/0842; G04F 7/0876; G04B 19/00; G04B 19/02; G04B 19/04; G04B 19/06; G04B 19/08; G04B 19/26; G04B 19/24; G04B 39/00; G04B 39/002; G04B 39/004; G04B 39/006; A01G 25/165; B05B 12/02
See application file for complete search history.

D539,688 S *	4/2007	Bolt	D10/126
D559,131 S *	1/2008	Laucella	D10/39
D594,352 S *	6/2009	Belamich	D10/39
D611,377 S *	3/2010	Nataf	D10/126
D616,782 S *	6/2010	Chastaingt	D10/126
D650,296 S *	12/2011	Laucella	D10/39
D664,879 S *	8/2012	Behling	D10/126
D685,280 S *	7/2013	Muller	D10/126
D685,281 S *	7/2013	Hamel	D10/126
D725,834 S *	3/2015	Ruffieux	D30/126
D726,555 S *	4/2015	Ruffieux	D10/126
D734,177 S *	7/2015	Kamilindi	D10/126
D734,677 S *	7/2015	Ruffieux	D10/38
D736,656 S *	8/2015	Ruffieux	D10/126
D752,468 S *	3/2016	Schneider	D10/126
D761,680 S *	7/2016	Plange	D10/126
D762,127 S *	7/2016	Jeannet	D10/126
D768,019 S *	10/2016	Lasserre	D10/126

* cited by examiner

Primary Examiner — Sandra S Snapp
Assistant Examiner — Katherine Glennon
(74) *Attorney, Agent, or Firm* — Taft Stettinius & Hollister LLP

(57) **CLAIM**

The ornamental design for a watch, as shown and described.

DESCRIPTION

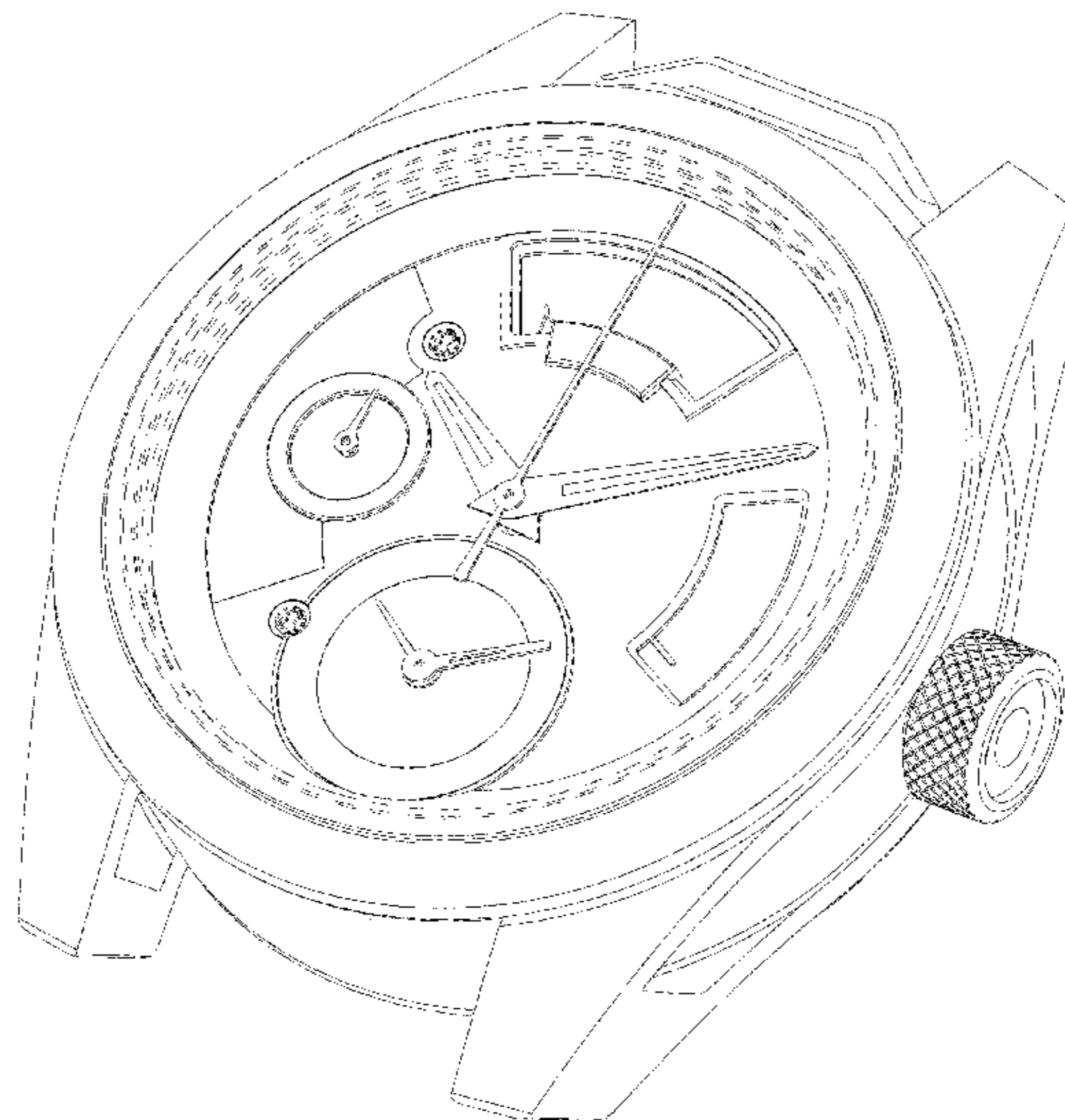
FIG. 1 is a top plan view of a watch showing my new design; FIG. 2 is a bottom plan view thereof; FIG. 3 is a right side elevational view thereof; FIG. 4 is a left side elevational view thereof; FIG. 5 is a front elevational view thereof; FIG. 6 is a rear elevational view thereof; and, FIG. 7 is a right, top perspective view thereof. The broken lines in the drawing figures depict unclaimed subject matter that form no part of the claimed design.

1 Claim, 7 Drawing Sheets

(56) **References Cited**

U.S. PATENT DOCUMENTS

3,258,907 A *	7/1966	Hamblin	G04B 19/25373 368/35
5,181,190 A *	1/1993	Kanzaki	G04C 17/00 368/228
7,120,091 B1 *	10/2006	Lizzi	G04B 19/247 368/37



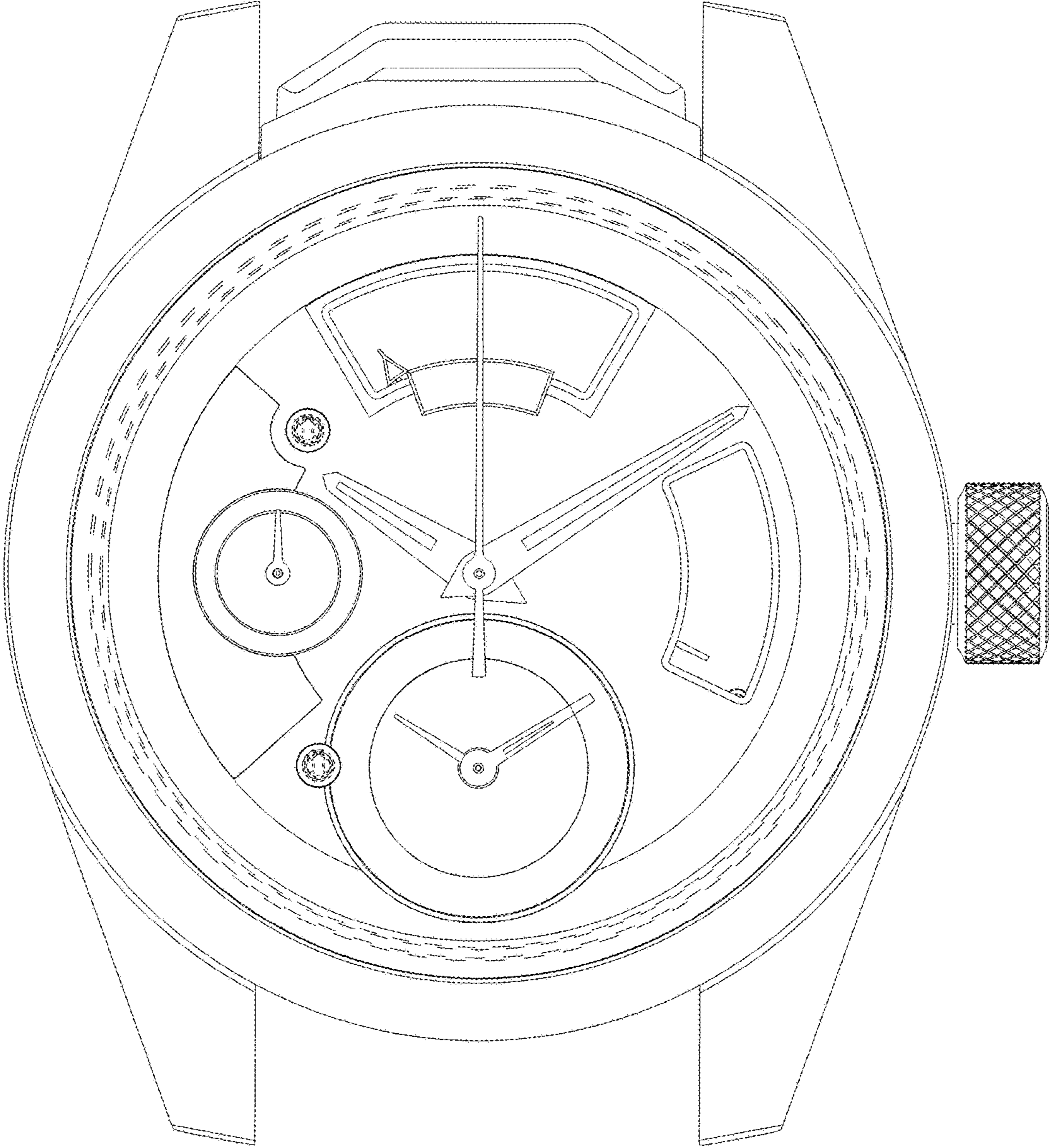


Fig. 1

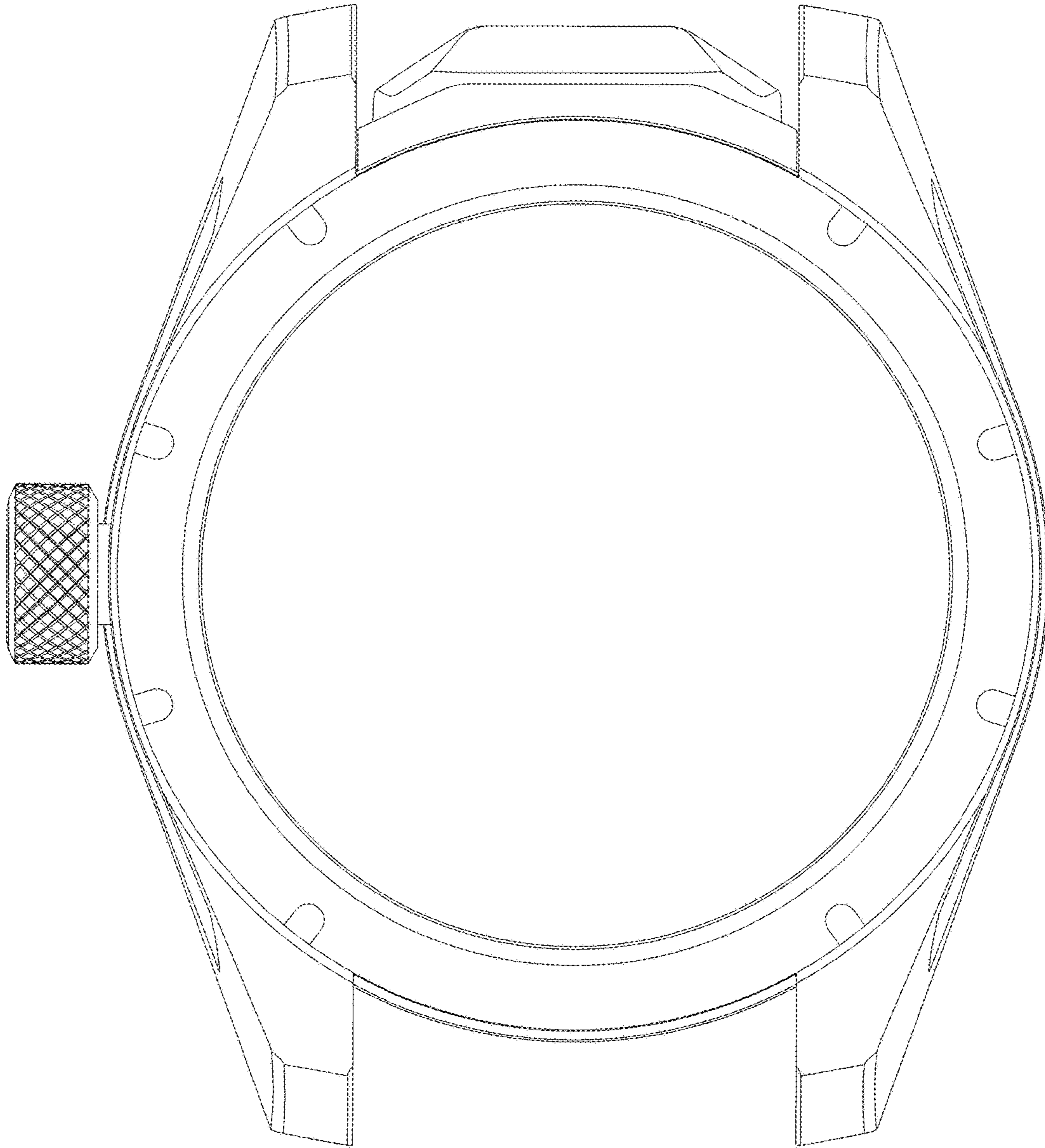


Fig. 2

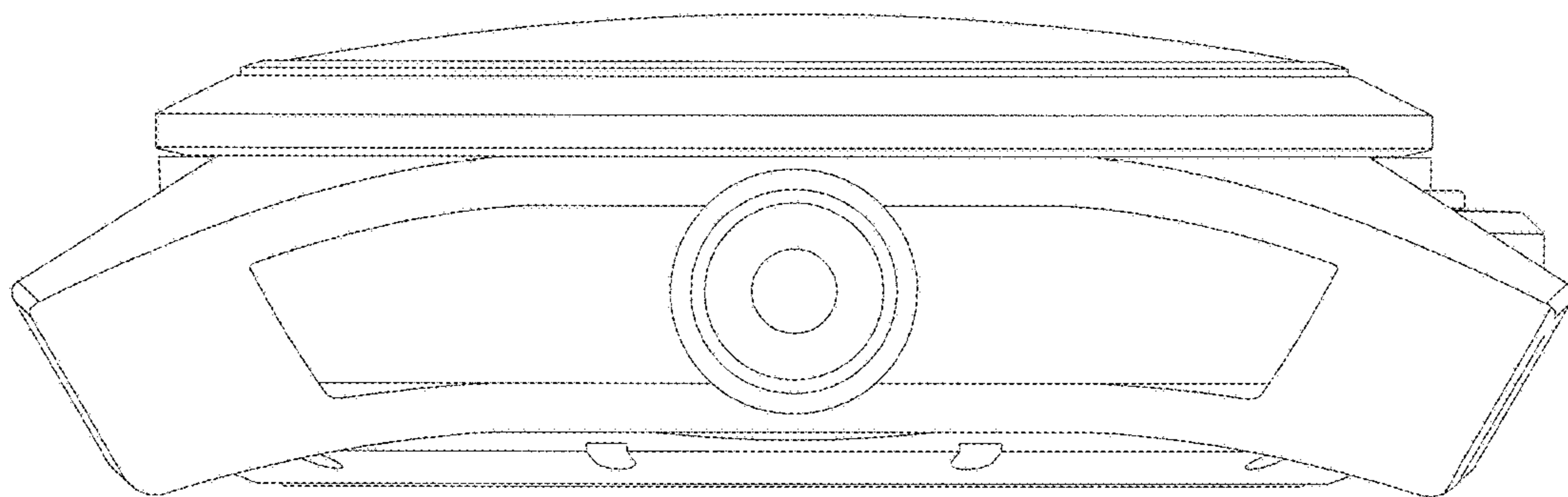


Fig. 3

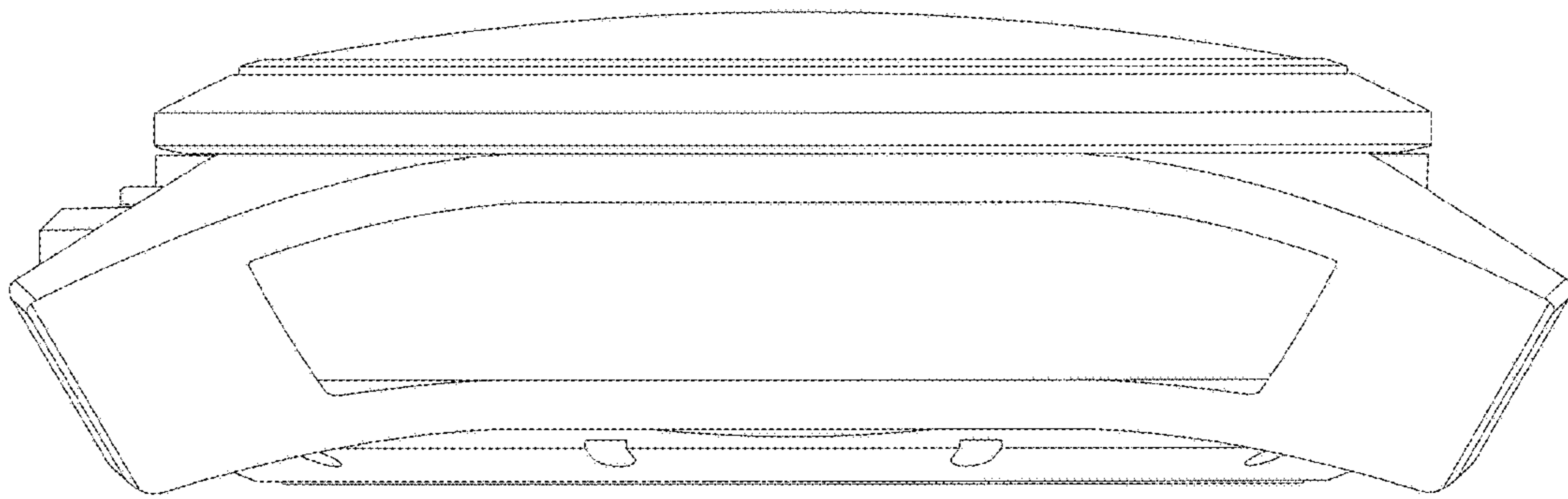


Fig. 4

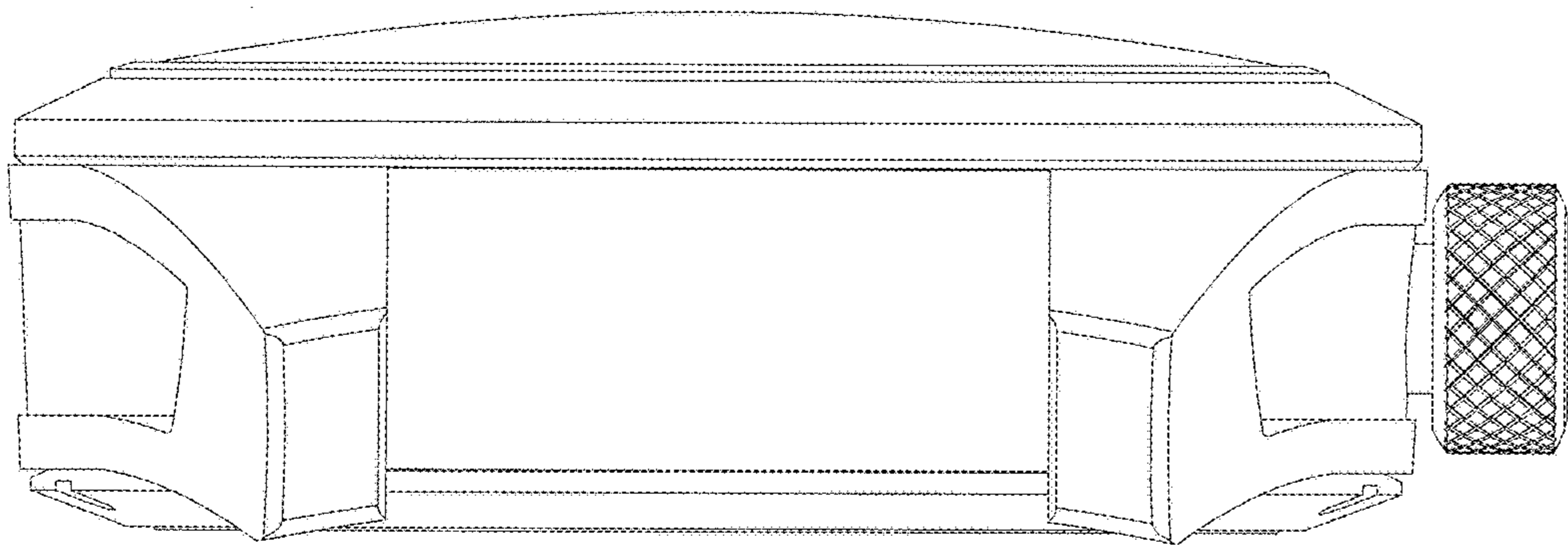


Fig. 5

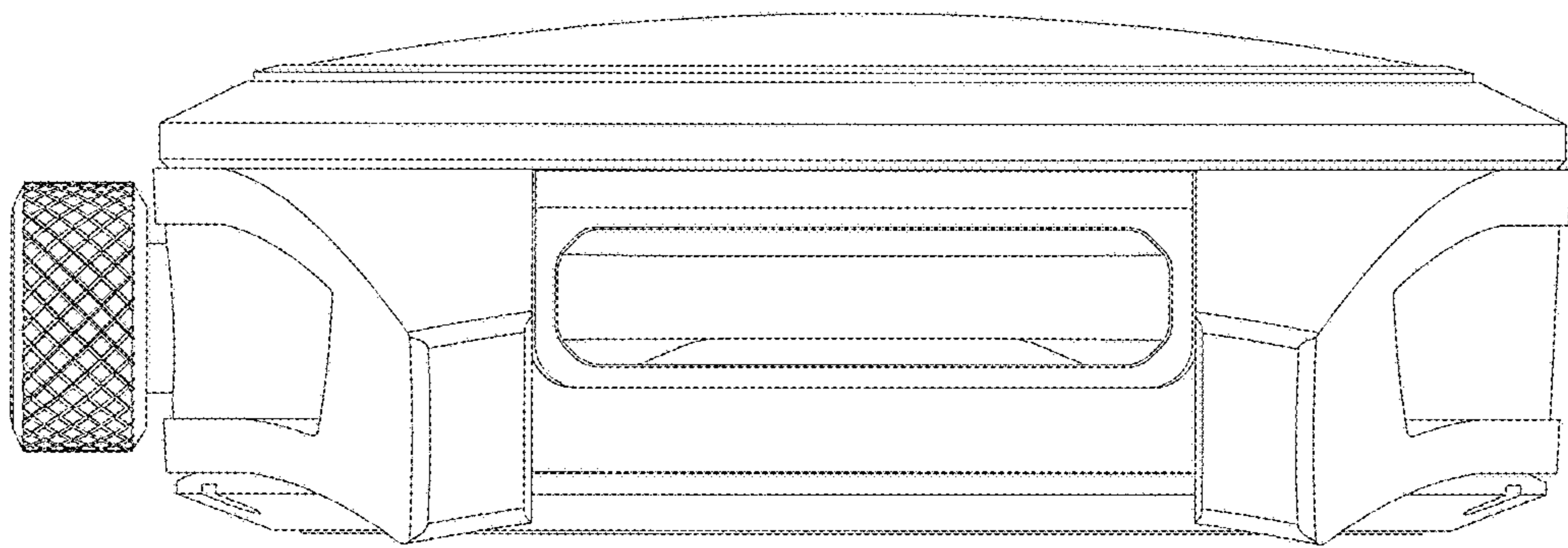


Fig. 6

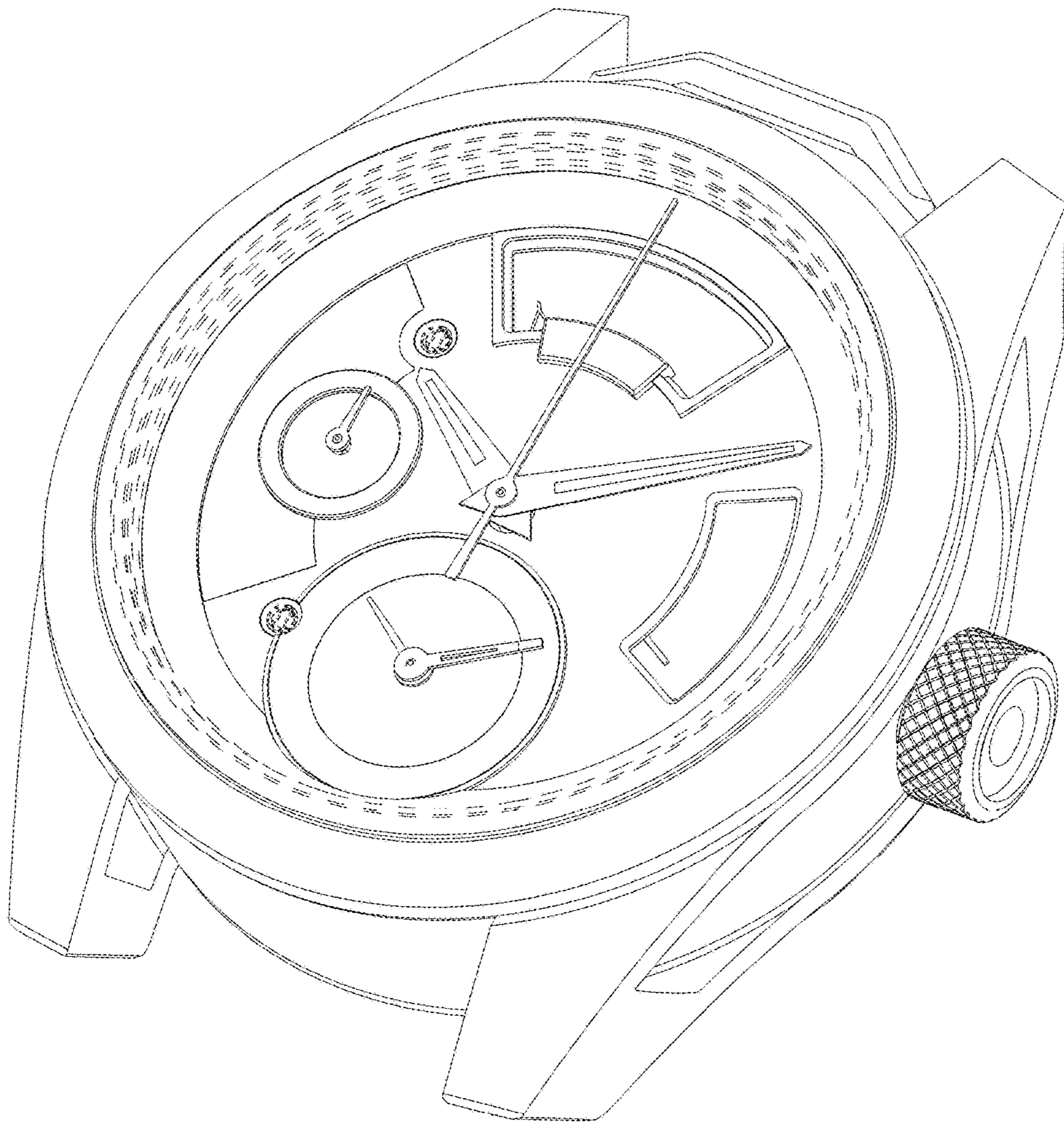


Fig. 7