



US00D821228S

(12) **United States Design Patent** (10) **Patent No.:** **US D821,228 S**  
**Antifora et al.** (45) **Date of Patent:** **\*\* Jun. 26, 2018**

(54) **WATCH CASE**

(71) Applicant: **Montblanc-Simplo GmbH**, Hamburg (DE)

(72) Inventors: **Valerie Antifora**, La Chaux-de-Fonds (CH); **Eric Pillot**, Orchamps-Vennes (FR)

(73) Assignee: **Montblanc-Simplo GmbH**, Hamburg (DE)

(\*\*) Term: **15 Years**

(21) Appl. No.: **29/587,756**

(22) Filed: **Dec. 15, 2016**

(51) **LOC (11) Cl.** ..... **10-02**

(52) **U.S. Cl.**  
USPC ..... **D10/38**

(58) **Field of Classification Search**  
USPC ..... D10/14, 30-39, 65, 70, 122-132;  
D14/344, 138 R; 368/127  
CPC ... G04F 1/00; G04F 1/06; G04F 1/063; G04F 7/06; G04F 7/0861; G04F 7/0871; G04F 7/08; G04F 7/0804; G04F 7/0842; G04F 7/0876; G04B 19/00; G04B 19/02; G04B 19/04; G04B 19/06; G04B 19/08; G04B 19/26; G04B 19/24; G04B 39/00; G04B 39/002; G04B 39/004; G04B 39/006; A01G 25/165; B05B 12/02

See application file for complete search history.

(56) **References Cited**

**U.S. PATENT DOCUMENTS**

D378,498 S *	3/1997	Wettstein	.....	D10/39
D380,969 S *	7/1997	Houlihan	.....	D10/30
D394,214 S *	5/1998	Sang	.....	D10/30
D398,544 S *	9/1998	Lai	.....	D10/31
D436,044 S *	1/2001	Subilia	.....	D10/30
D445,344 S *	7/2001	Haquet	.....	D10/30
D504,624 S *	5/2005	Bodino	.....	D10/39

D527,655 S *	9/2006	Dias	.....	D10/38
D593,425 S *	6/2009	Weiss	.....	D10/33
D609,587 S *	2/2010	Lalo	.....	D10/38
D628,908 S *	12/2010	Giannini	.....	D10/32
D635,867 S *	4/2011	Nunes	.....	D10/38
D640,146 S *	6/2011	Tedeschi	.....	D10/39
D649,889 S *	12/2011	Giannini	.....	D10/32
D659,554 S *	5/2012	Yurman	.....	D10/32
D680,884 S *	4/2013	Bernard	.....	D10/32
D684,486 S *	6/2013	Messmer	.....	D10/39

(Continued)

**OTHER PUBLICATIONS**

Tudor Heritage Chronograph Blue 2013 | posted at watchinghorology.blogspot.com Sep. 15, 2013 [online][site visited Sep. 25, 2017]. Available from Internet: <<http://watchinghorology.blogspot.com/2013/09/tudor-heritage-chronograph-blue-most.html>>.\*

(Continued)

*Primary Examiner* — Sandra S Snapp  
*Assistant Examiner* — Katherine Glennon  
(74) *Attorney, Agent, or Firm* — Taft Stettinius & Hollister LLP

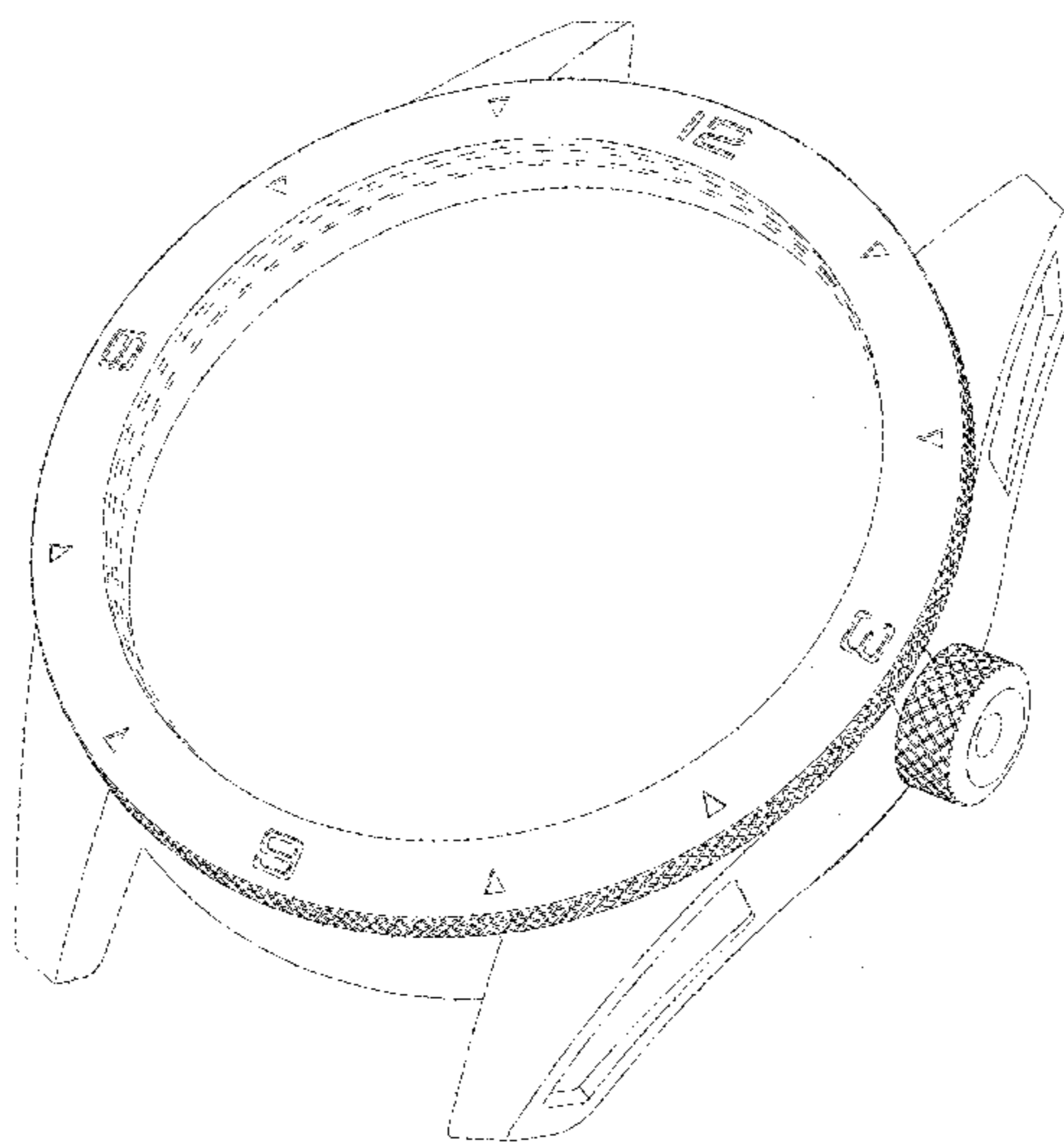
(57) **CLAIM**

The ornamental design for a watch case, as shown and described.

**DESCRIPTION**

FIG. 1 is a top plan view of a watch case showing our new design;  
FIG. 2 is a bottom plan view thereof;  
FIG. 3 is a right side elevational view thereof;  
FIG. 4 is a left side elevational view thereof;  
FIG. 5 is a front elevational view thereof;  
FIG. 6 is a rear elevational view thereof; and,  
FIG. 7 is a right, top perspective view thereof.  
The broken lines in the drawing figures depict unclaimed subject matter that form no part of the claimed design.

**1 Claim, 7 Drawing Sheets**



(56)

**References Cited**

U.S. PATENT DOCUMENTS

D702,136 S \* 4/2014 Monachon ..... D10/39  
D704,574 S \* 5/2014 Lasserre ..... D10/39  
D725,529 S \* 3/2015 Gueit ..... D10/128  
D729,638 S \* 5/2015 Favre ..... D10/38  
D730,201 S \* 5/2015 Giannini ..... D10/39  
9,411,320 B1 \* 8/2016 Liang ..... G04R 20/26  
D797,576 S \* 9/2017 Monachon ..... D10/30  
2002/0155407 A1 \* 10/2002 Li ..... B26B 17/00  
431/120  
2017/0045860 A1 \* 2/2017 Kwok ..... G04B 19/283

OTHER PUBLICATIONS

Rolex Explorer II | posted at bobswatches.com No posting date given; Serial/year 2007/2008 Copyright Bob's Watches [online][site visited Sep. 25, 2017]. Available from Internet: <<https://www.bobswatches.com/rolex-explorer-ii-stainless-steel.html>>.\*

\* cited by examiner

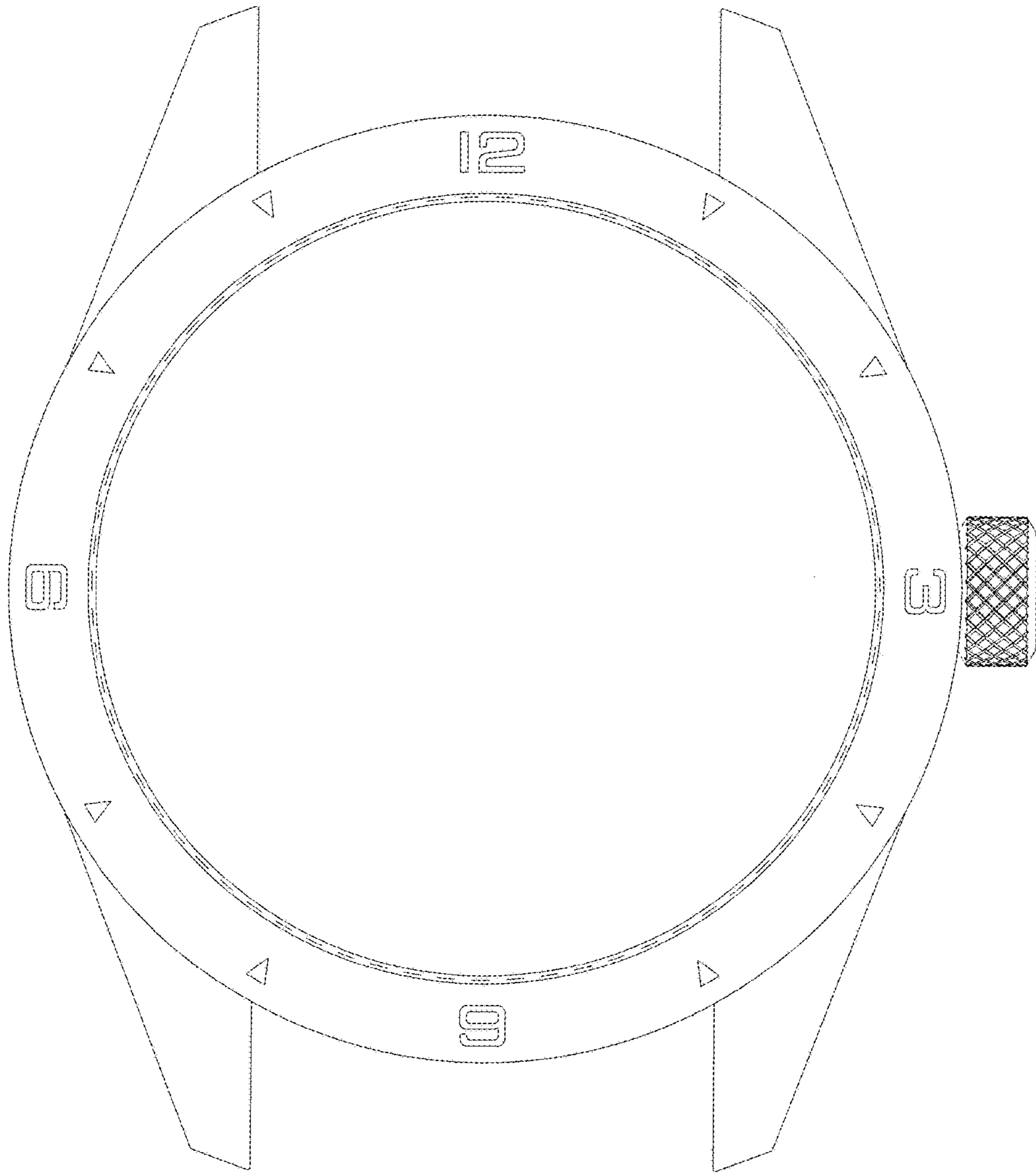


Fig. 1

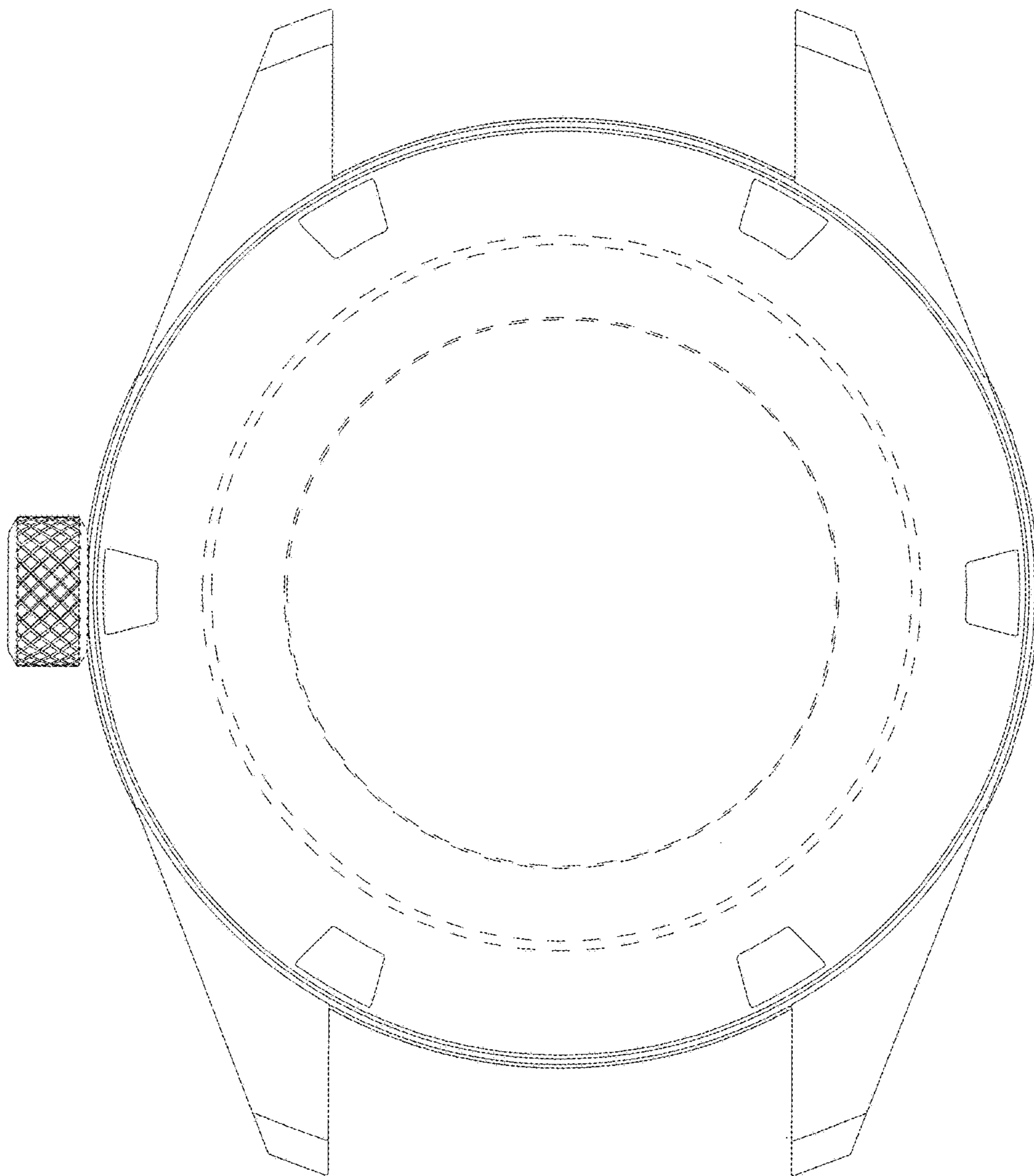


Fig. 2

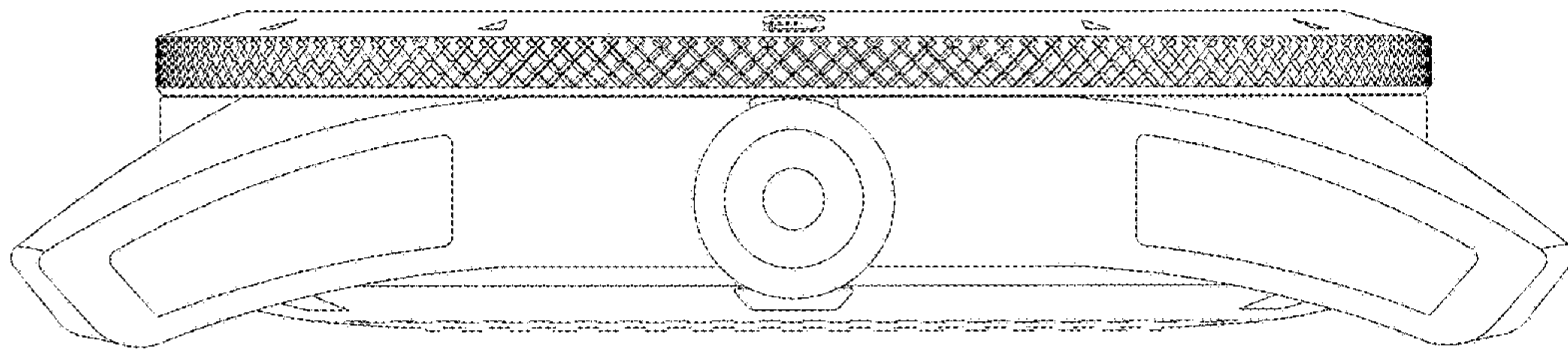


Fig. 3

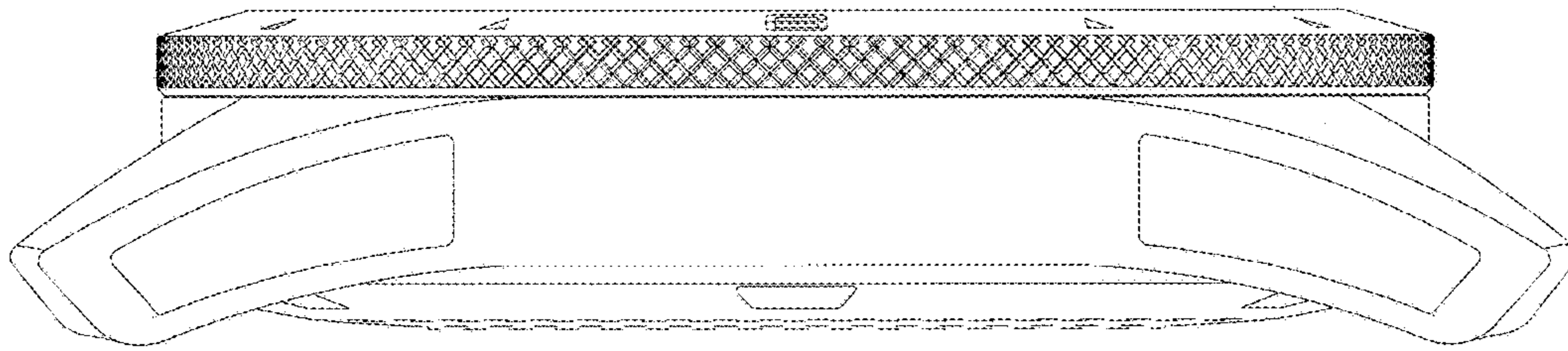


Fig. 4

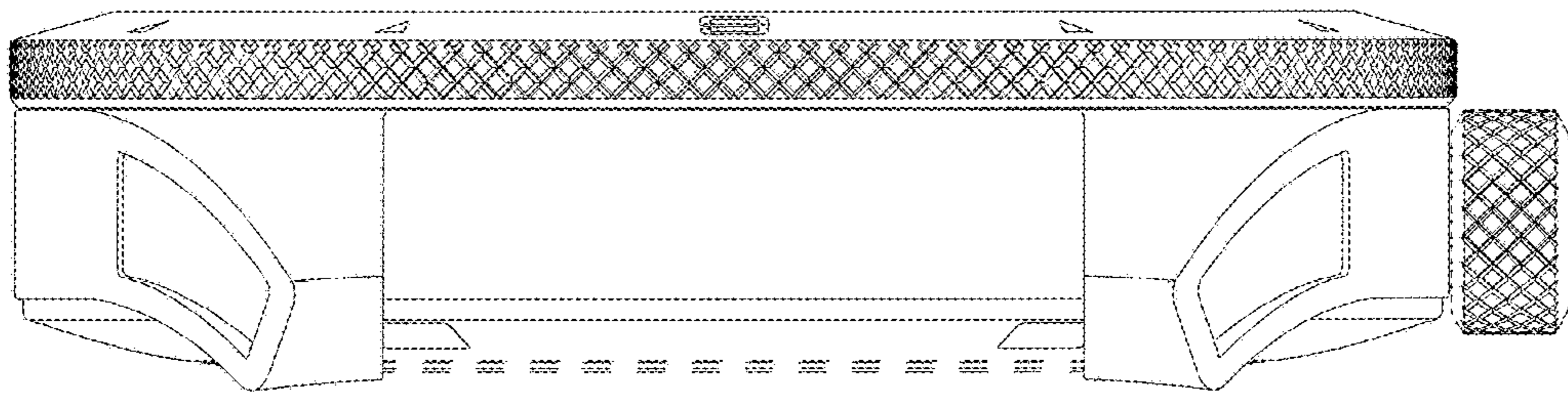


Fig. 5

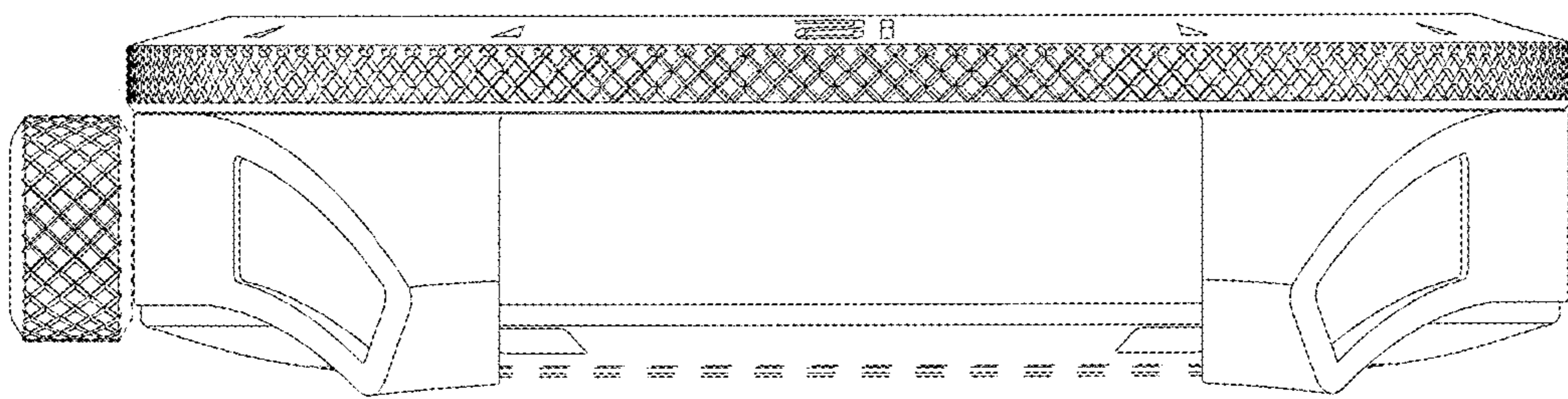


Fig. 6



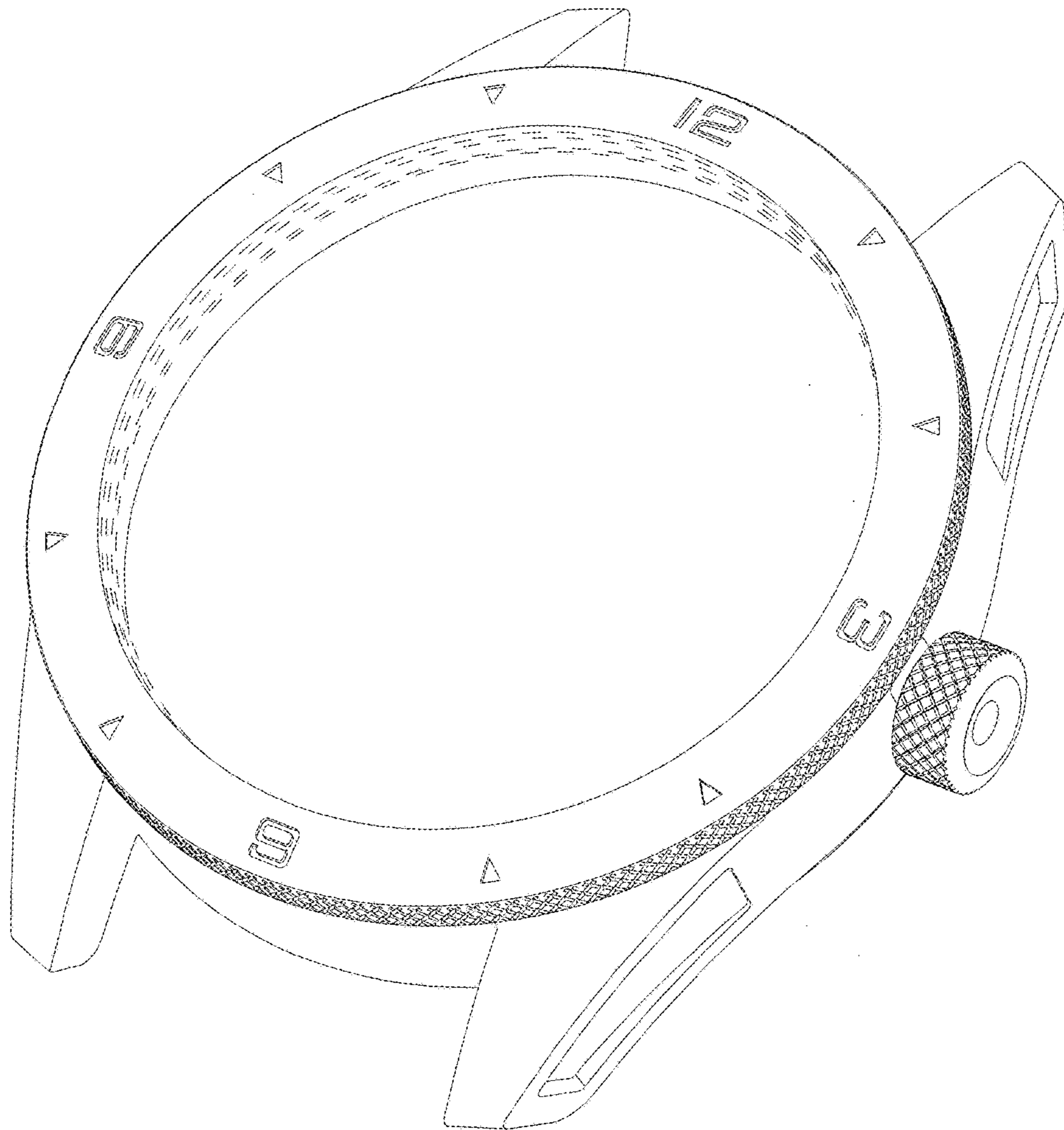


Fig. 7