



US00D821227S

(12) **United States Design Patent**  
**Colman**

(10) **Patent No.:** **US D821,227 S**

(45) **Date of Patent:** **\*\* Jun. 26, 2018**

(54) **WATCH**

(71) Applicant: **LILIENTHAL LIFESTYLE GMBH,**  
Berlin (DE)

(72) Inventor: **Jacques Colman,** Berlin (DE)

(73) Assignee: **LILIENTHAL LIFESTYLE GMBH,**  
Berlin (DE)

(\*\*) Term: **15 Years**

(21) Appl. No.: **35/502,003**

(22) Filed: **Jun. 2, 2016**

(80) **Hague Agreement Data**

Int. Filing Date: **Jun. 2, 2016**

Int. Reg. No.: **DM/091581**

Int. Reg. Date: **Jun. 2, 2016**

Int. Reg. Pub. Date: **Dec. 2, 2016**

(51) **LOC (11) Cl.** ..... **10-02**

(52) **U.S. Cl.**  
USPC ..... **D10/32**

(58) **Field of Classification Search**  
USPC ..... D10/1, 30, 32, 38, 39  
CPC ..... G04B 19/00  
See application file for complete search history.

(56) **References Cited**

U.S. PATENT DOCUMENTS

D53,110 S \* 3/1919 Bliss ..... D10/1  
D317,413 S \* 6/1991 Veronesi ..... D10/32

\* cited by examiner

*Primary Examiner* — George D. Kirschbaum

(74) *Attorney, Agent, or Firm* — Lucas & Mercanti, LLP

(57) **CLAIM**

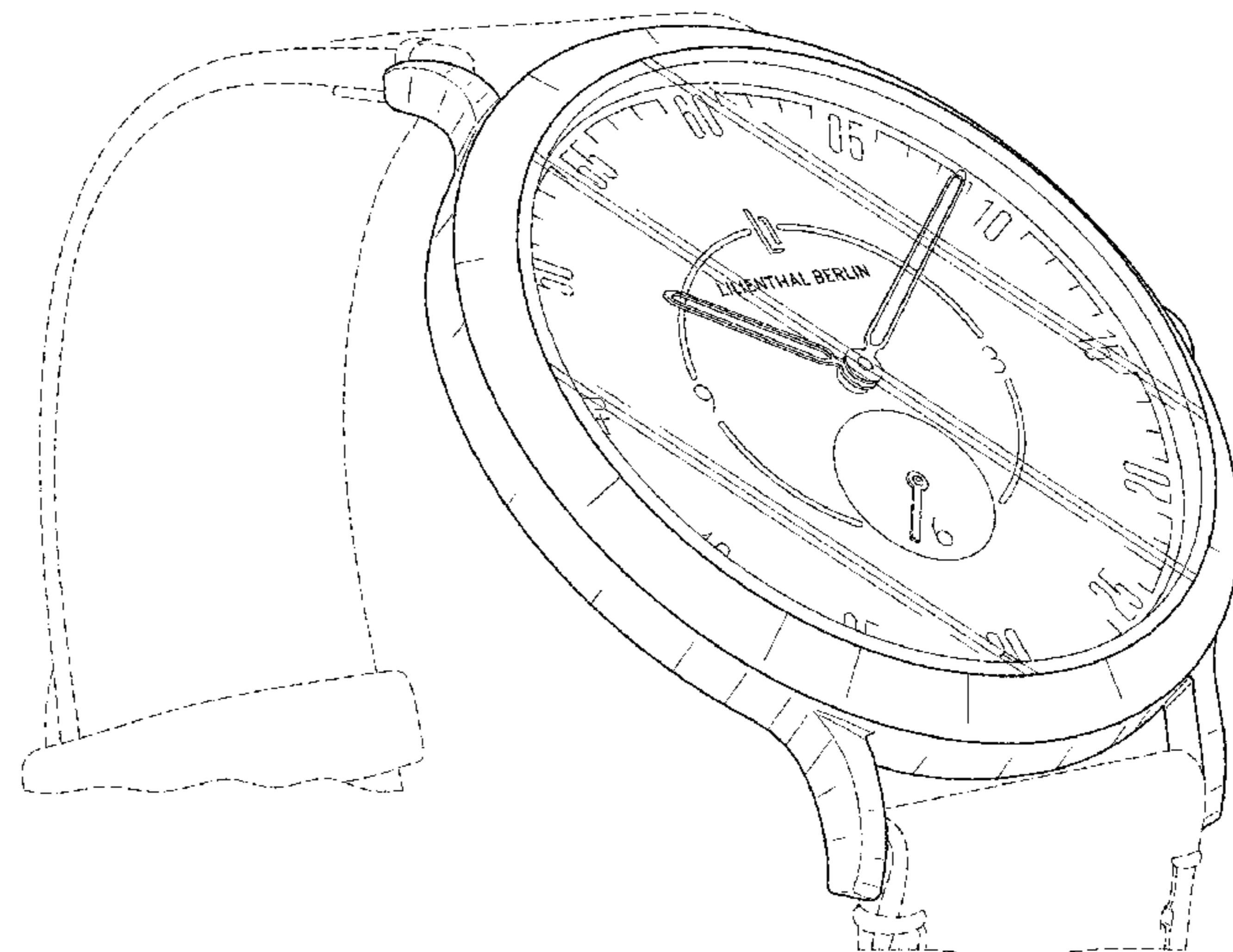
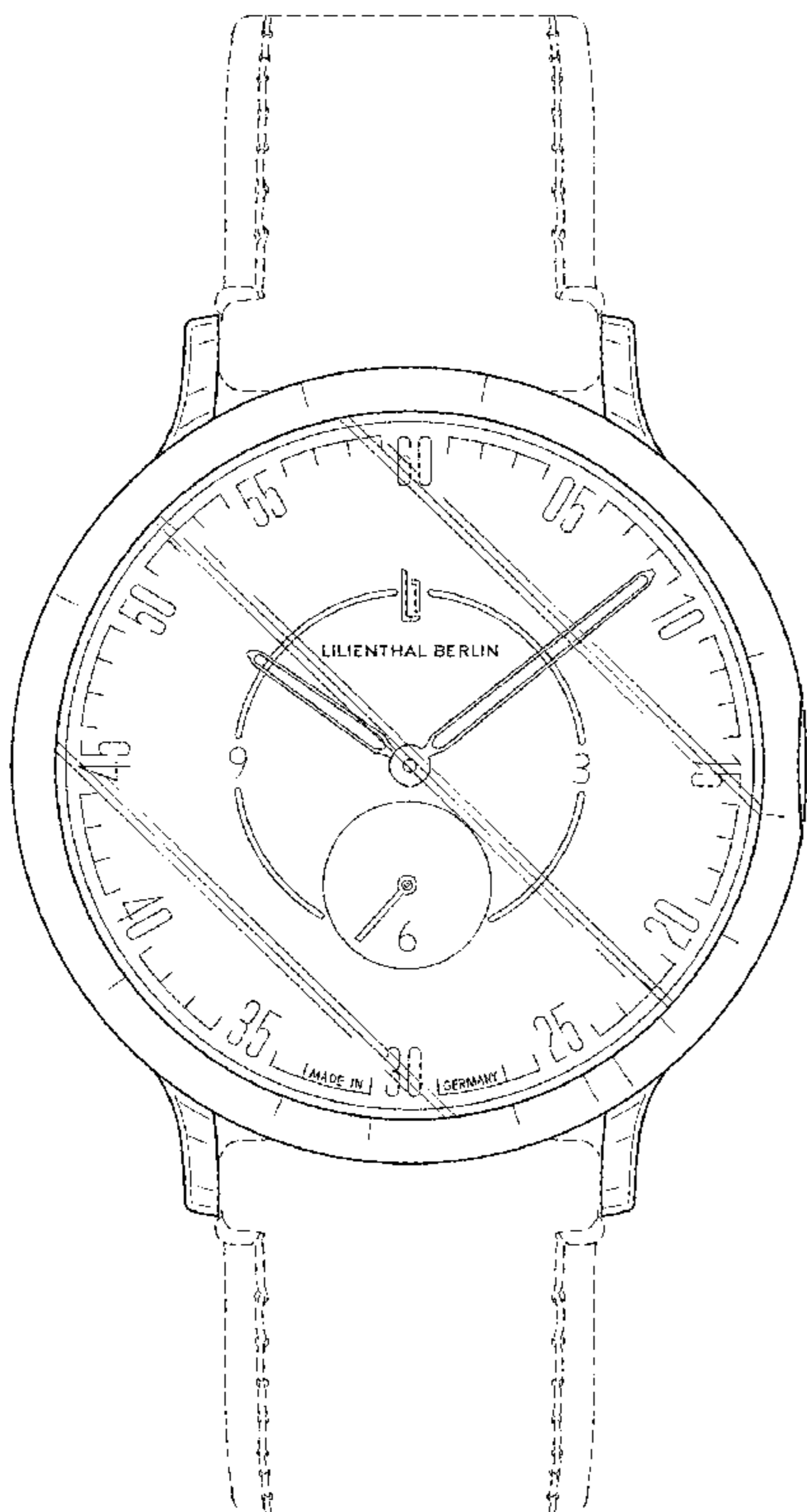
The ornamental design for a watch, as shown and described.

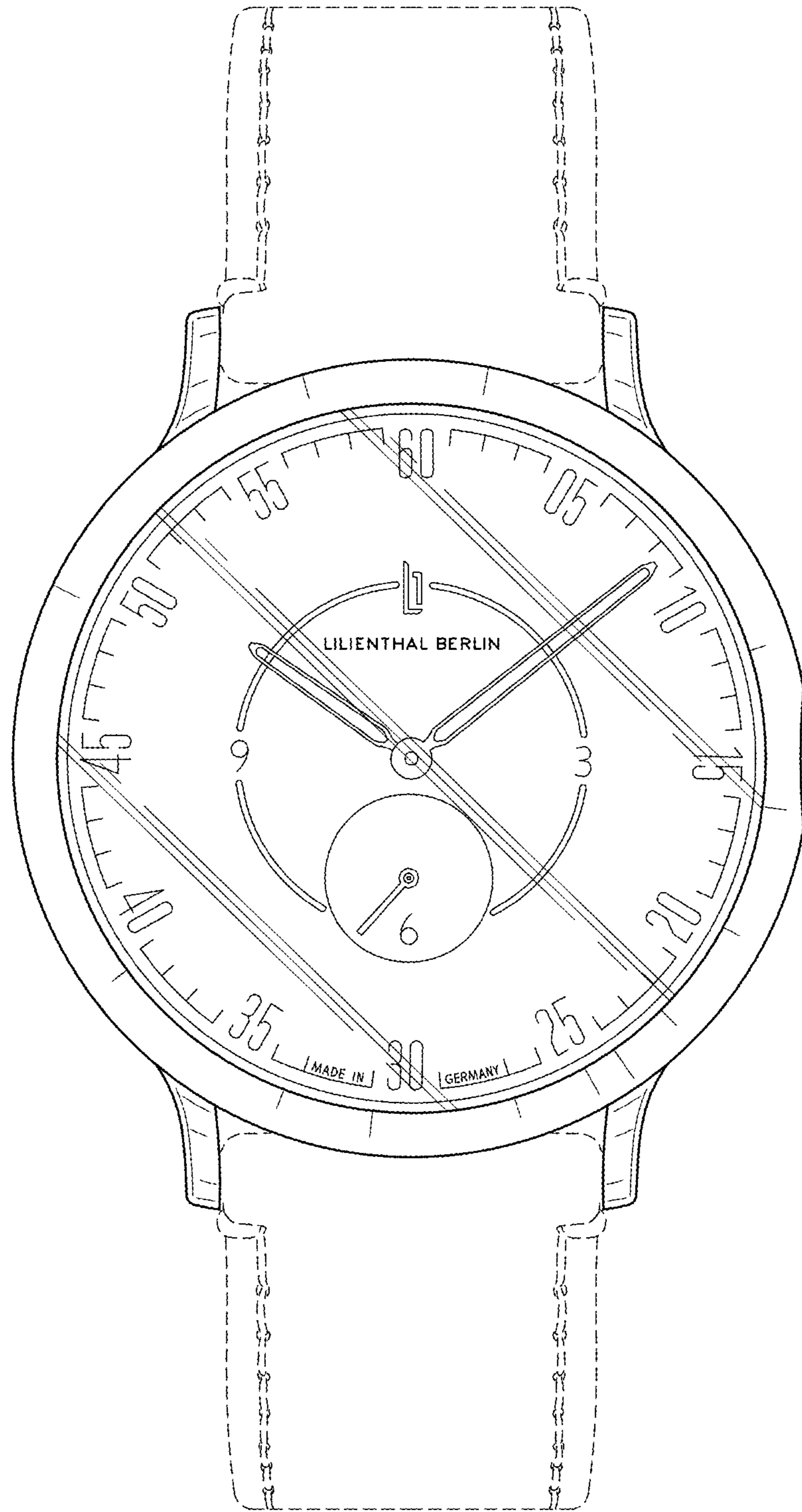
**DESCRIPTION**

- 1.-6. Watches
- 1.1 : Front
- 1.2 : Perspective
- 2.1 : Front
- 2.2 : Perspective
- 3.1 : Front
- 3.2 : Perspective
- 4.1 : Front
- 4.2 : Perspective
- 5.1 : Front
- 5.2 : Perspective
- 6.1 : Front
- 6.2 : Perspective

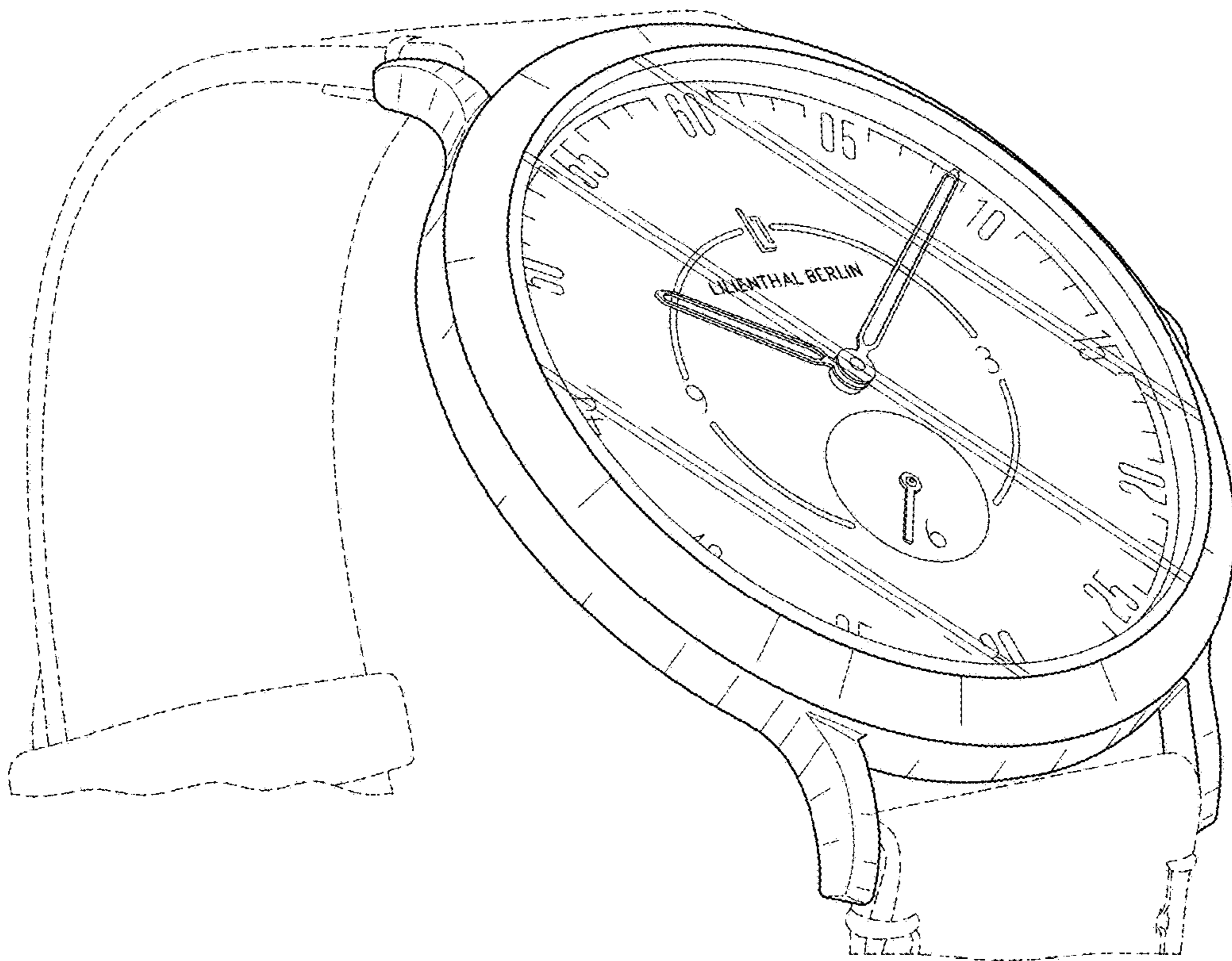
The broken line showing of a watchband and stitching is included for the purpose of illustrating portions of the watch and forms no part of the claimed design.

**1 Claim, 12 Drawing Sheets**



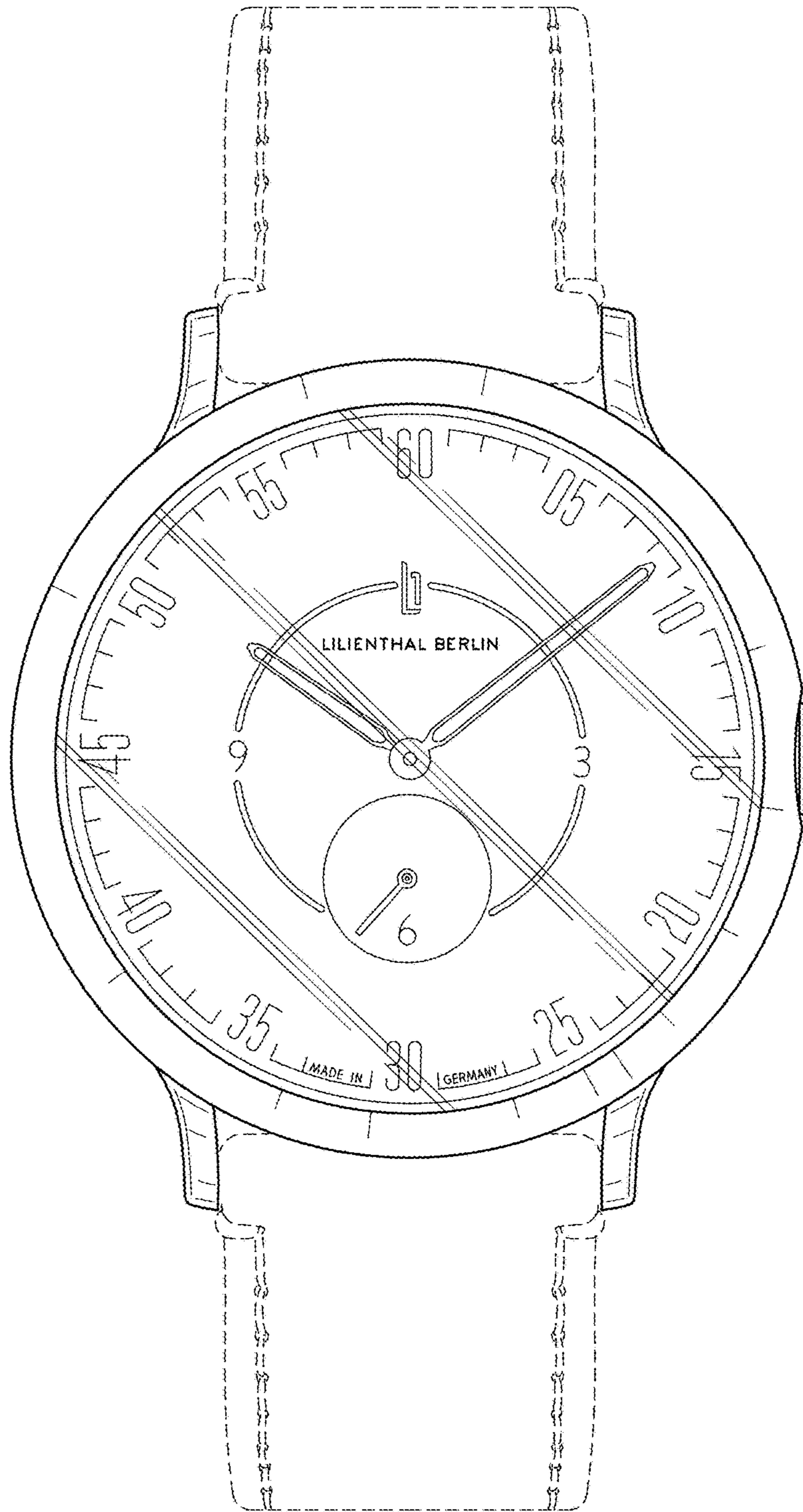


1.1

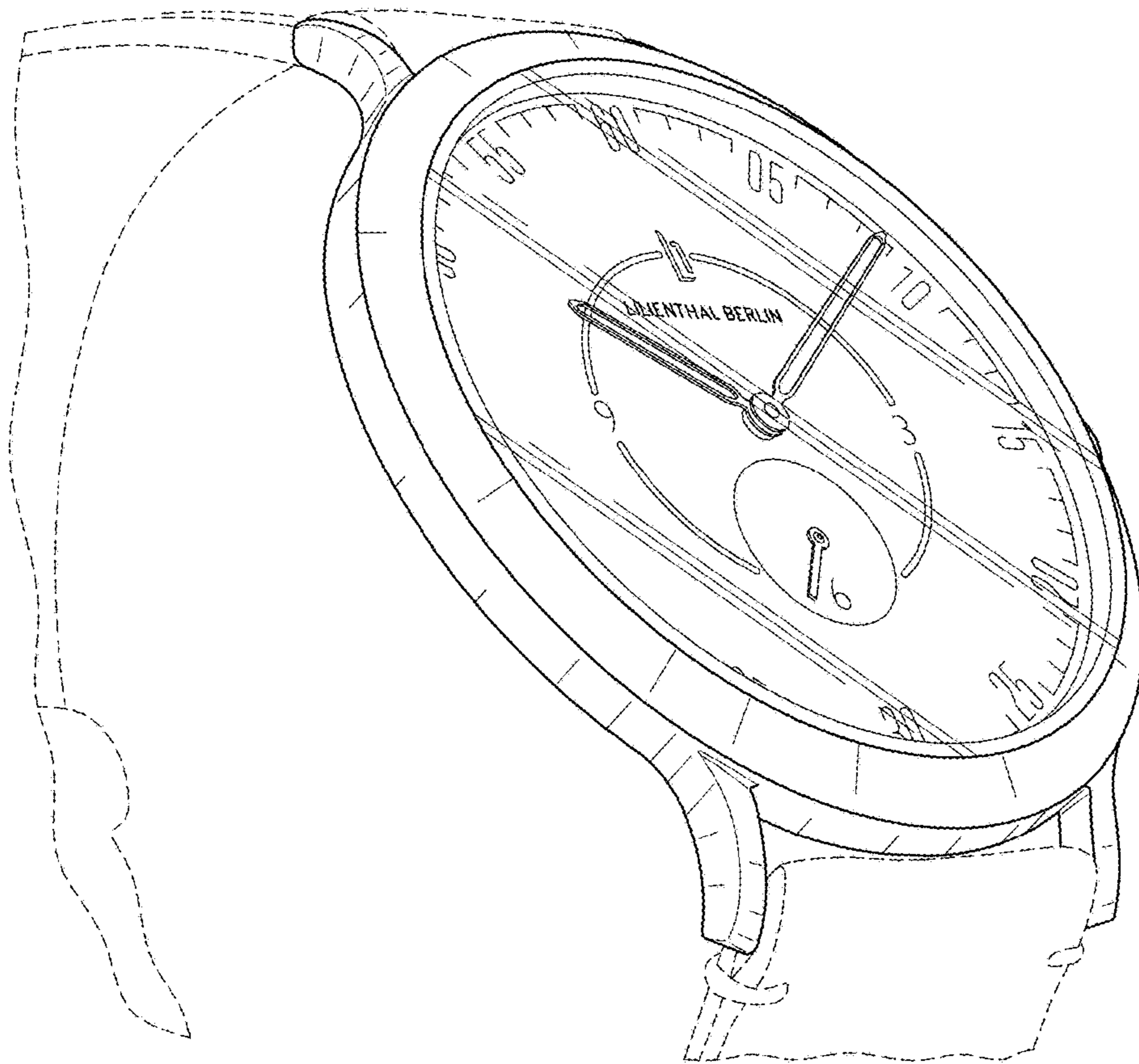


1.2





2.1

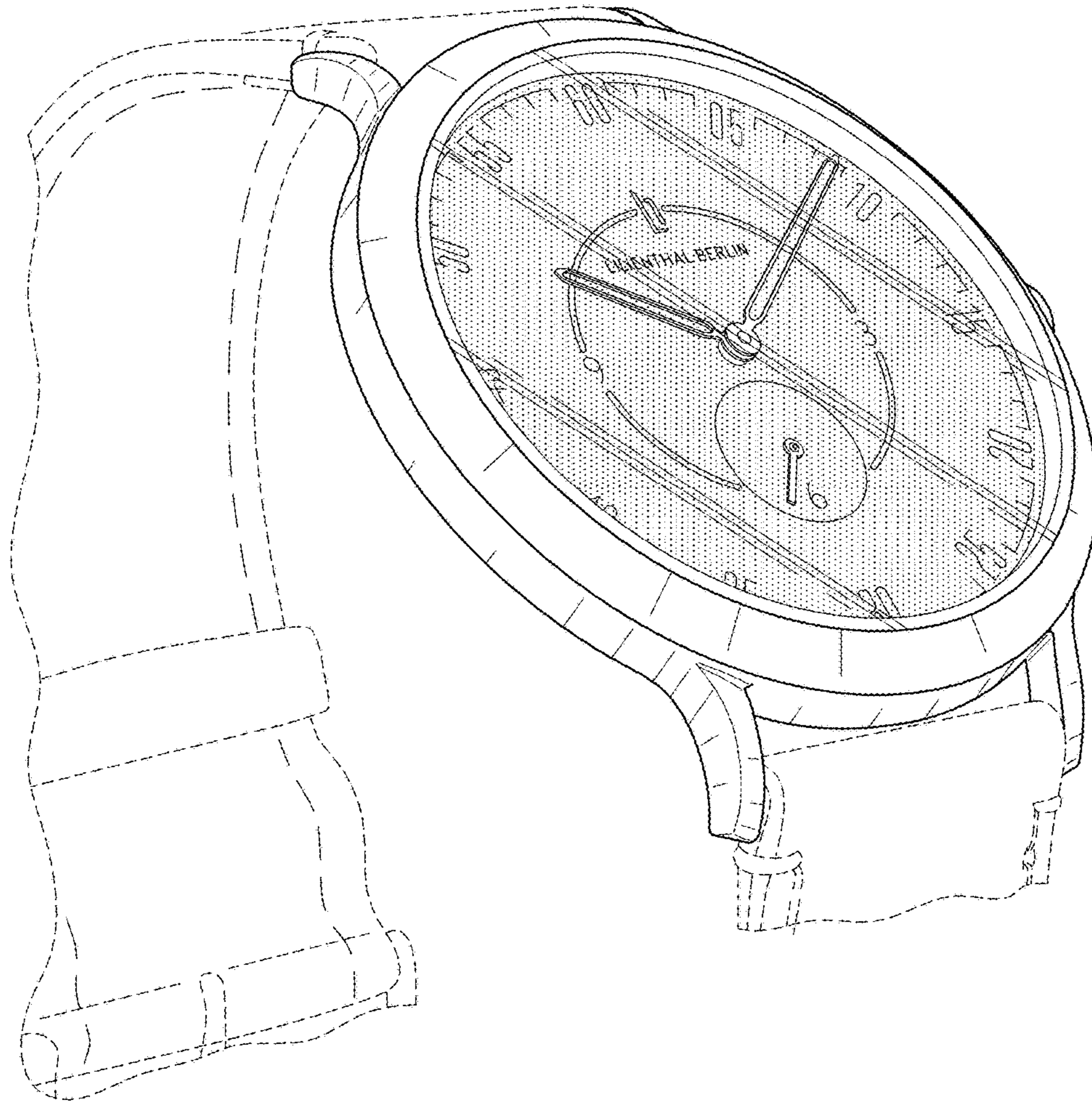


2.2

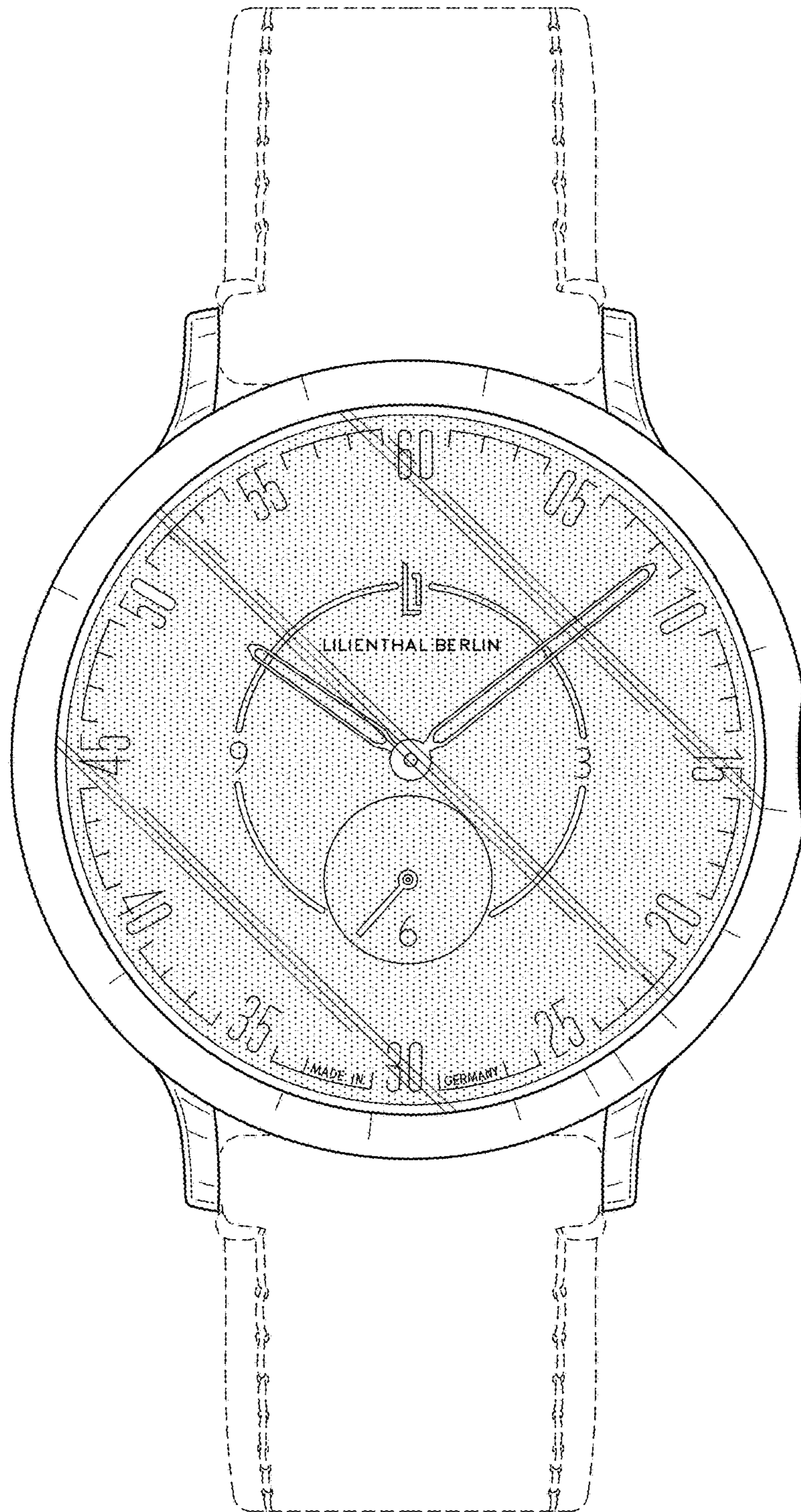


3.1



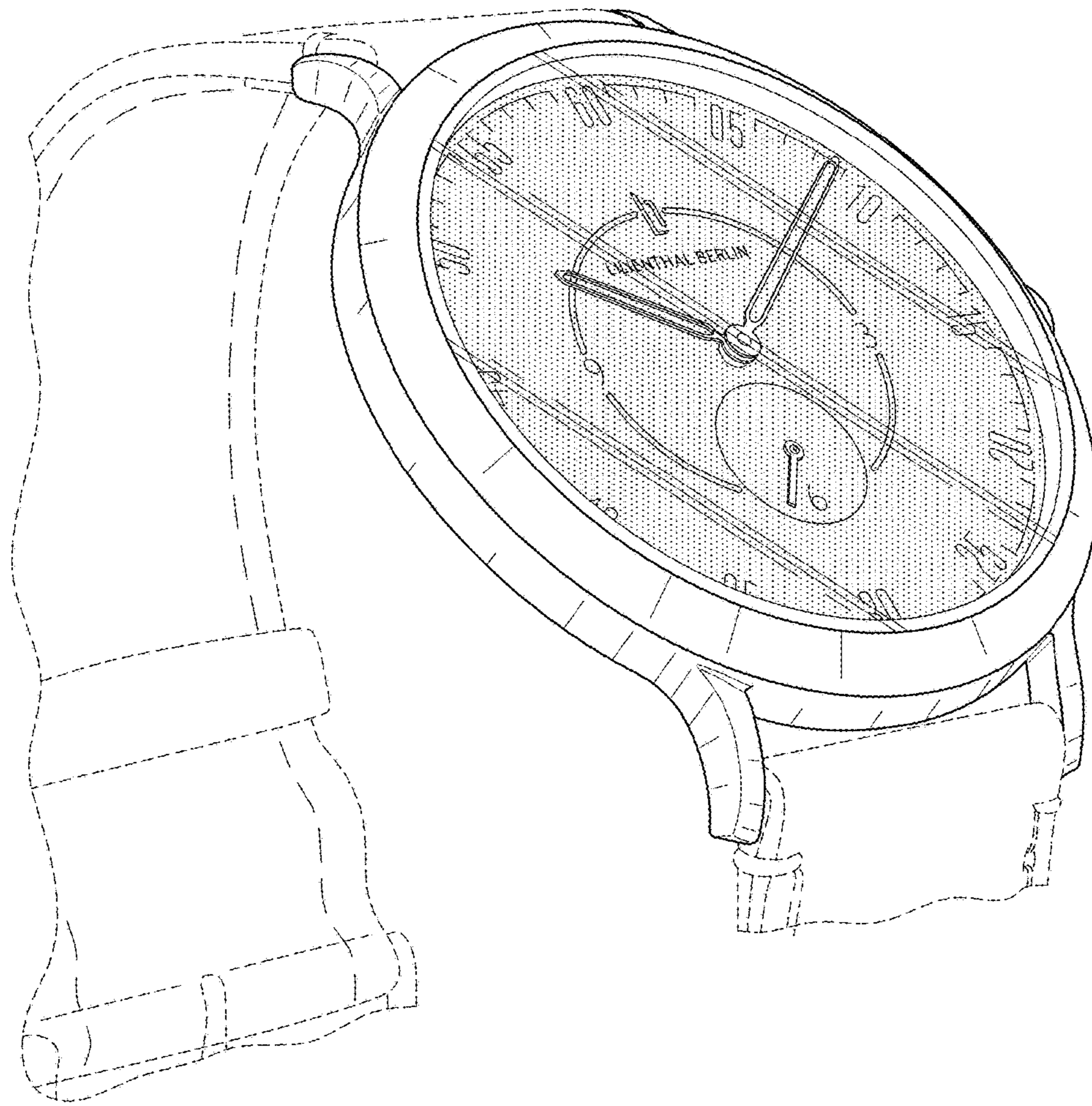


3.2



4.1



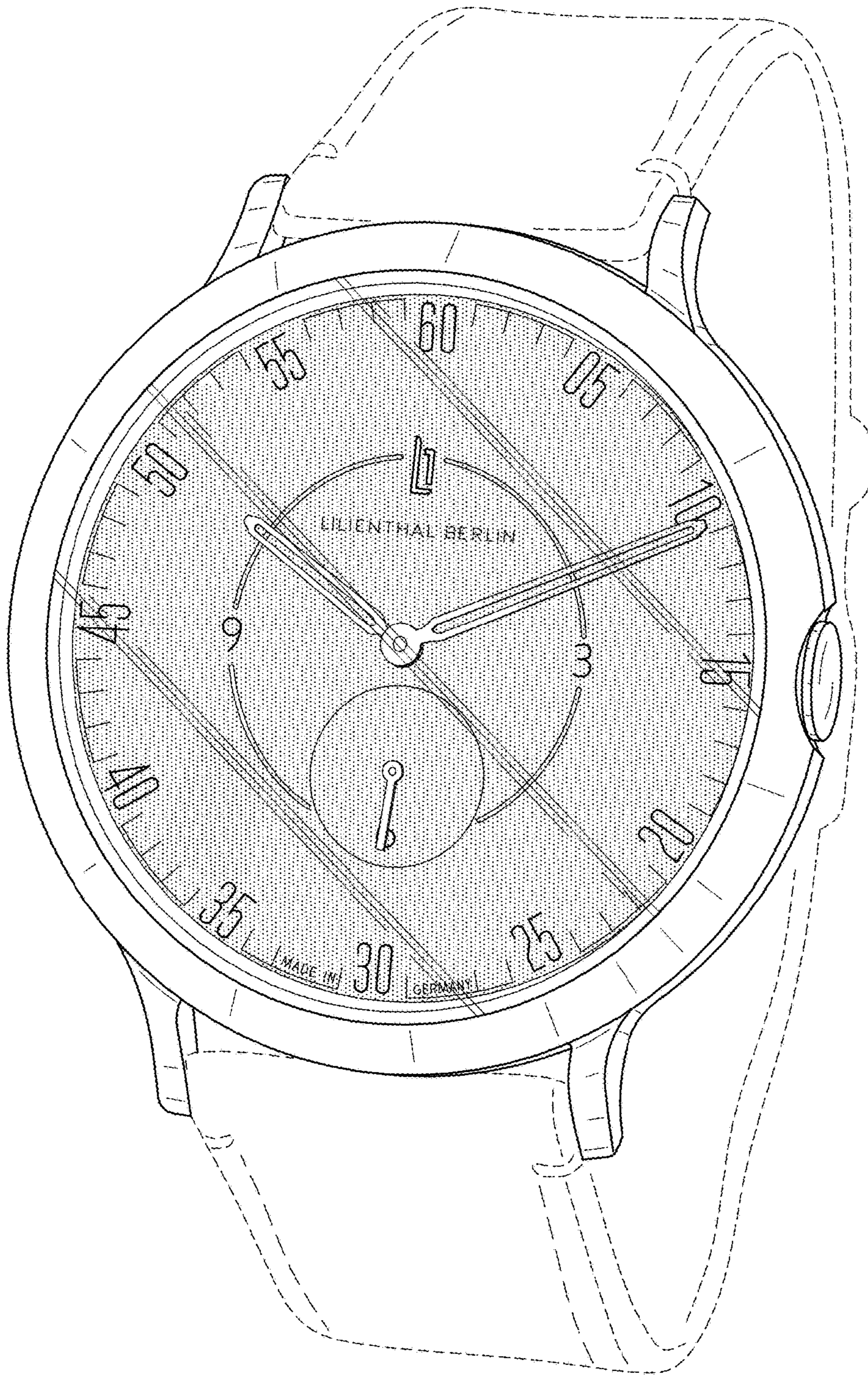


4.2



5.1





5.2





6.1





6.2