



US00D821226S

(12) **United States Design Patent**  
**McCormack et al.**

(10) **Patent No.:** **US D821,226 S**  
(45) **Date of Patent:** **\*\* Jun. 26, 2018**

- (54) **CONTAINER**
- (71) Applicants: **Bayer HealthCare LLC**, Whippany, NJ  
(US); **OraLabs, Inc.**, Parker, CO (US)
- (72) Inventors: **Kimberly McCormack**, Summit, NJ  
(US); **Chris P. Turner**, Parker, CO  
(US)
- (73) Assignees: **Bayer HealthCare LLC**, Whippany, NJ  
(US); **OraLabs, Inc.**, Parker, CO (US)

6,386,778	B1 *	5/2002	Guay	.....	A45D 33/02
					206/219
D484,806	S *	1/2004	Cummings	.....	D9/529
6,688,793	B2 *	2/2004	Goyet	.....	A45D 40/04
					401/172
D503,892	S *	4/2005	Storz	.....	D9/729
D505,319	S *	5/2005	Cummings	.....	D9/729
D518,104	S *	3/2006	Simmering	.....	D19/66
D528,012	S *	9/2006	Snyder	.....	D9/529
D542,673	S *	5/2007	Shurtleff	.....	D9/729
D623,960	S *	9/2010	Kathofer	.....	D9/729
D657,694	S *	4/2012	Floyd	.....	D9/553
D657,696	S *	4/2012	Floyd	.....	D9/729

(\*\*) Term: **15 Years**

(21) Appl. No.: **29/562,329**

(22) Filed: **Apr. 25, 2016**

(51) **LOC (11) Cl.** ..... **09-01**

(52) **U.S. Cl.**  
USPC ..... **D9/729**

(58) **Field of Classification Search**  
USPC ..... D9/522, 529-530, 539, 549, 558, 723,  
D9/724, 726-729; 222/386, 390;  
401/68, 75, 172, 175  
CPC ..... A45D 40/04; A45D 40/16; A61K 8/28;  
A61K 8/342; A61K 8/732  
See application file for complete search history.

(56) **References Cited**

**U.S. PATENT DOCUMENTS**

D53,386	S *	5/1919	Thomas	.....	D27/189
D438,790	S *	3/2001	Holthaus	.....	D9/728

\* cited by examiner

*Primary Examiner* — Derrick E Holland  
*Assistant Examiner* — Janice Julia Patyk  
(74) *Attorney, Agent, or Firm* — Lowenstein Sandler LLP

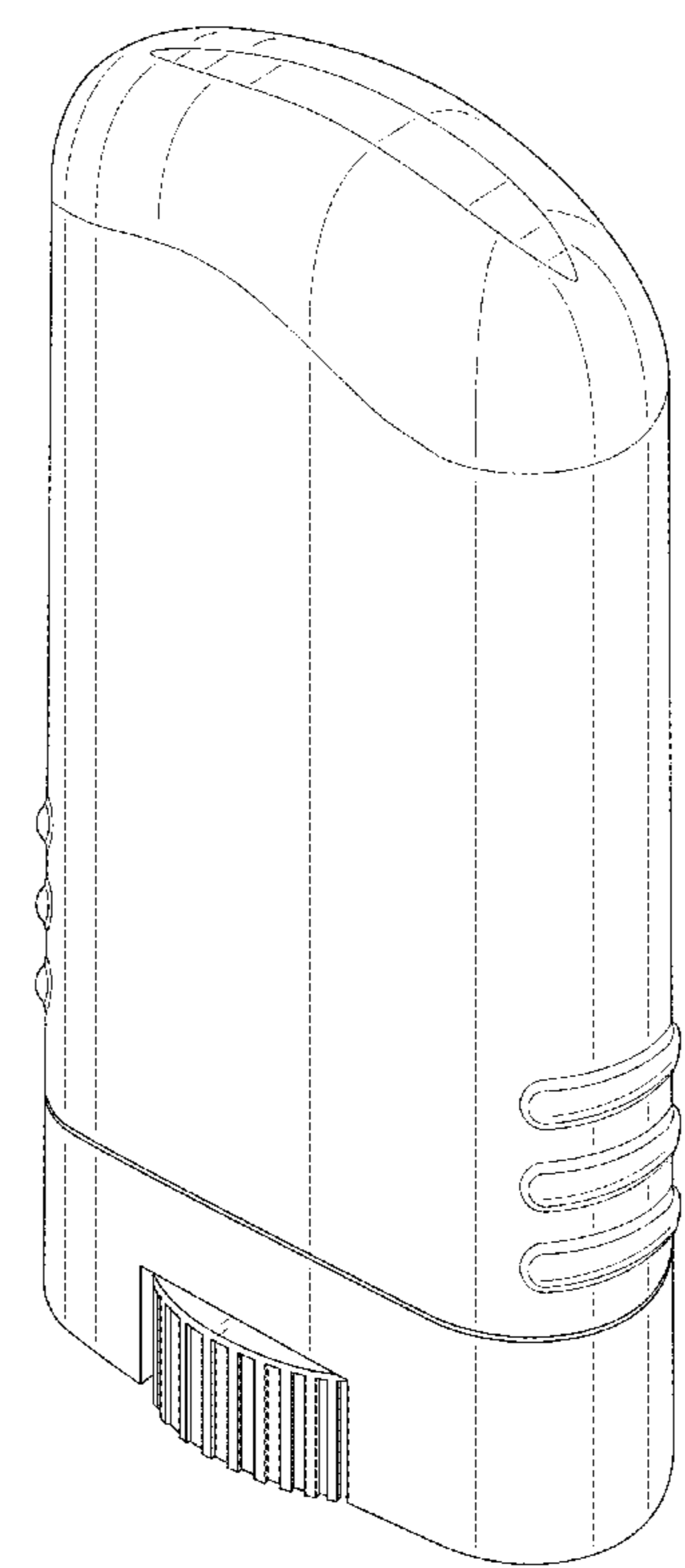
(57) **CLAIM**

The ornamental design for a container, as shown and described.

**DESCRIPTION**

FIG. 1 is a perspective view of a container;  
FIG. 2 is a front elevation view of the container;  
FIG. 3 is a rear elevation view of the container;  
FIG. 4 is a left side elevation view of the container;  
FIG. 5 is a right side elevation view of the container;  
FIG. 6 is a top plan view of the container; and,  
FIG. 7 is a bottom plan view of the container.  
The broken lines in the figures illustrate portions of the design that form no part of the claimed design.

**1 Claim, 7 Drawing Sheets**



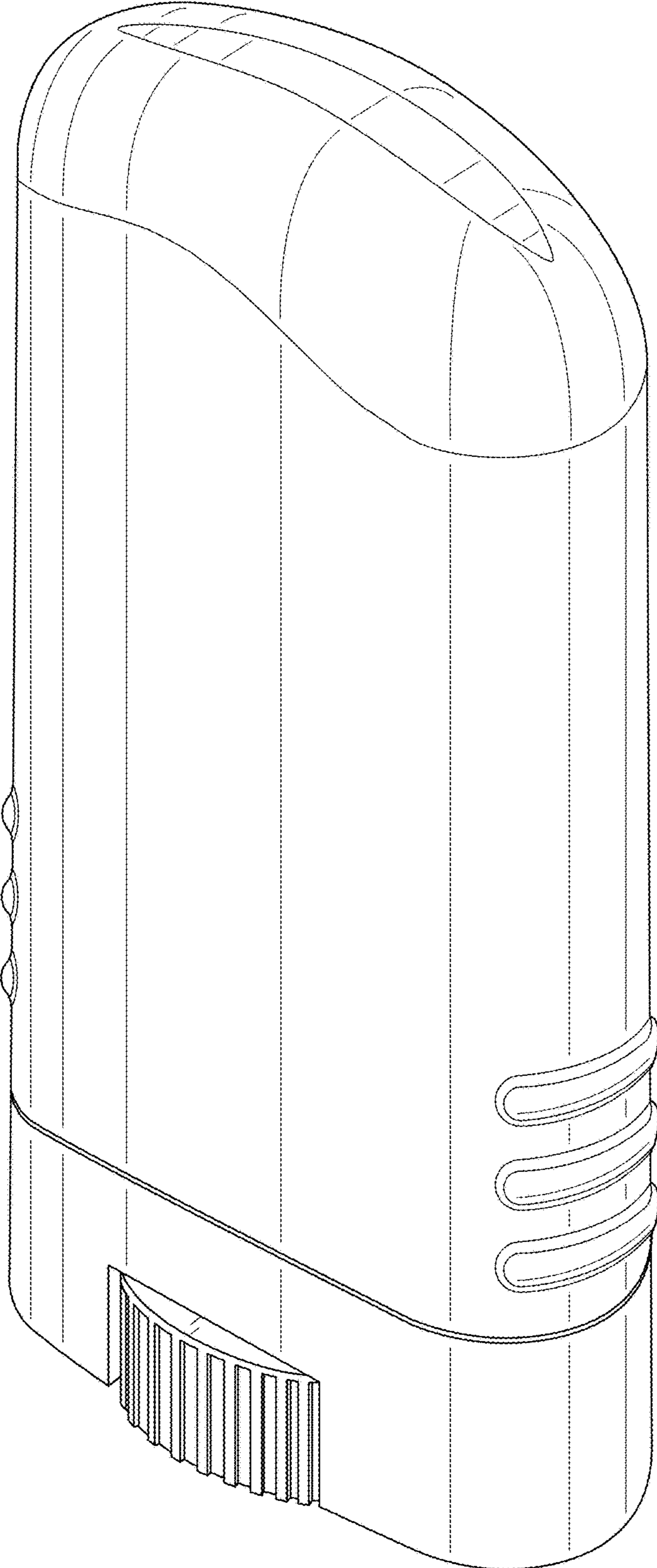


FIG. 1

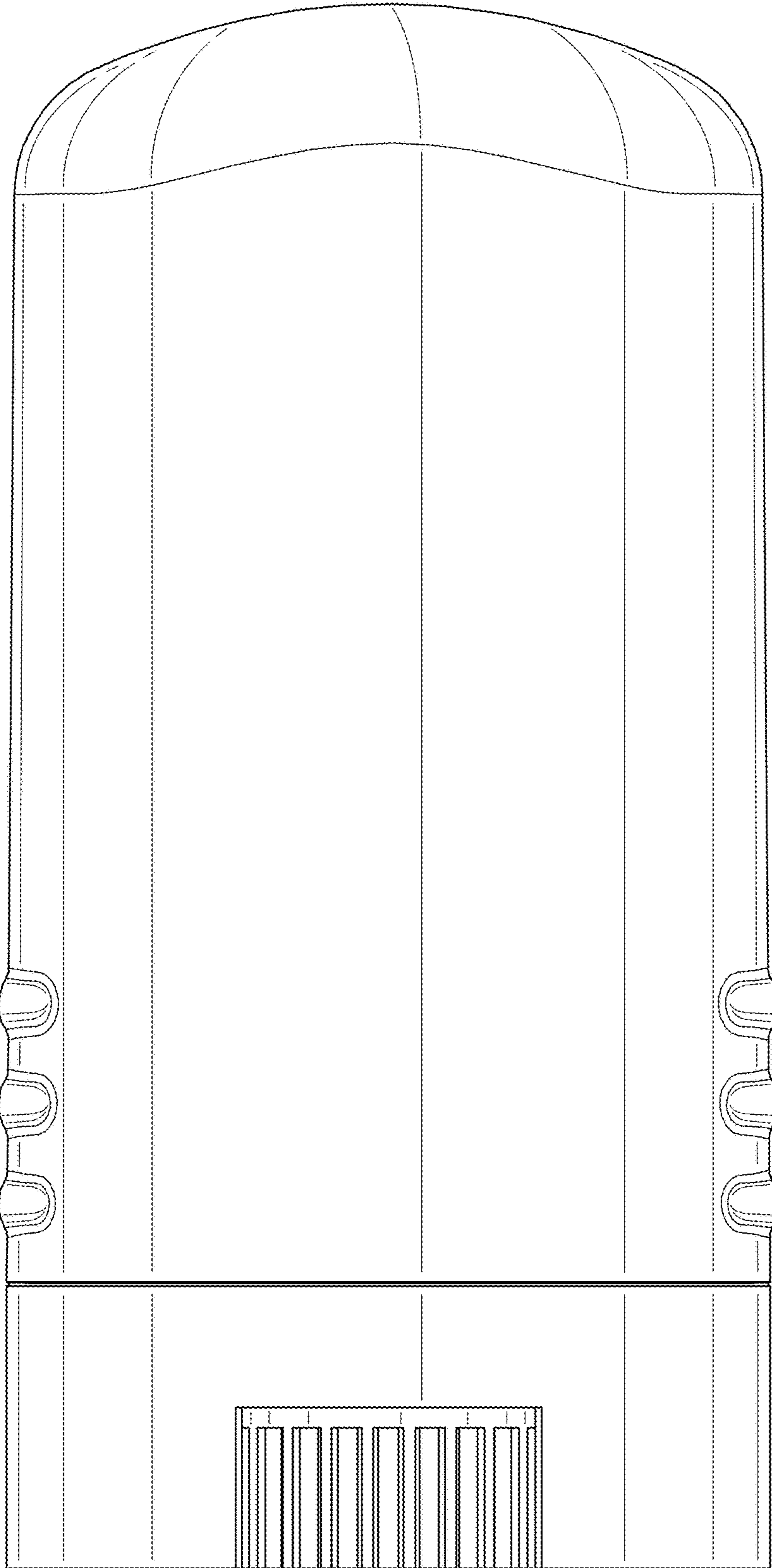


FIG. 2

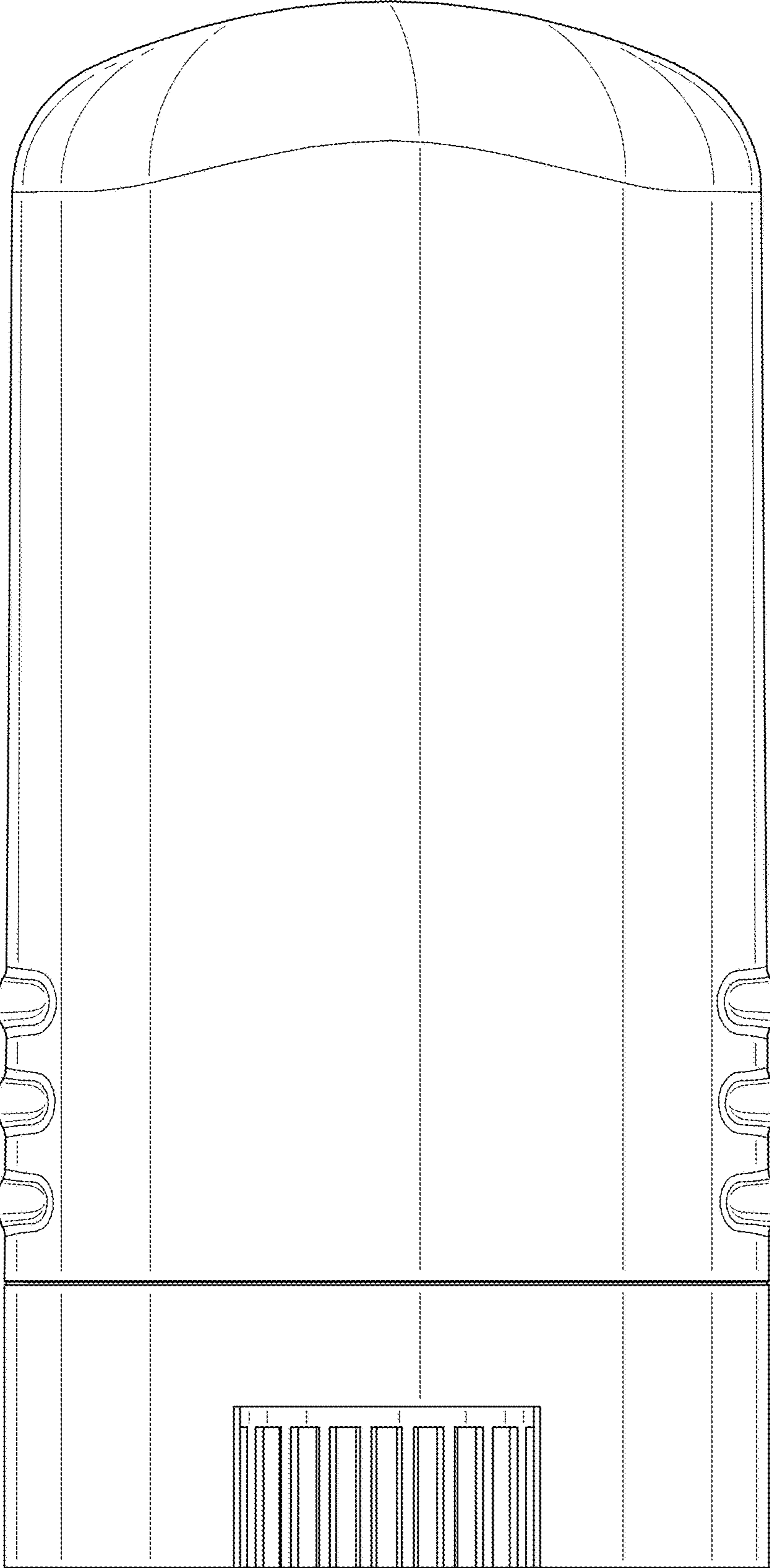


FIG. 3

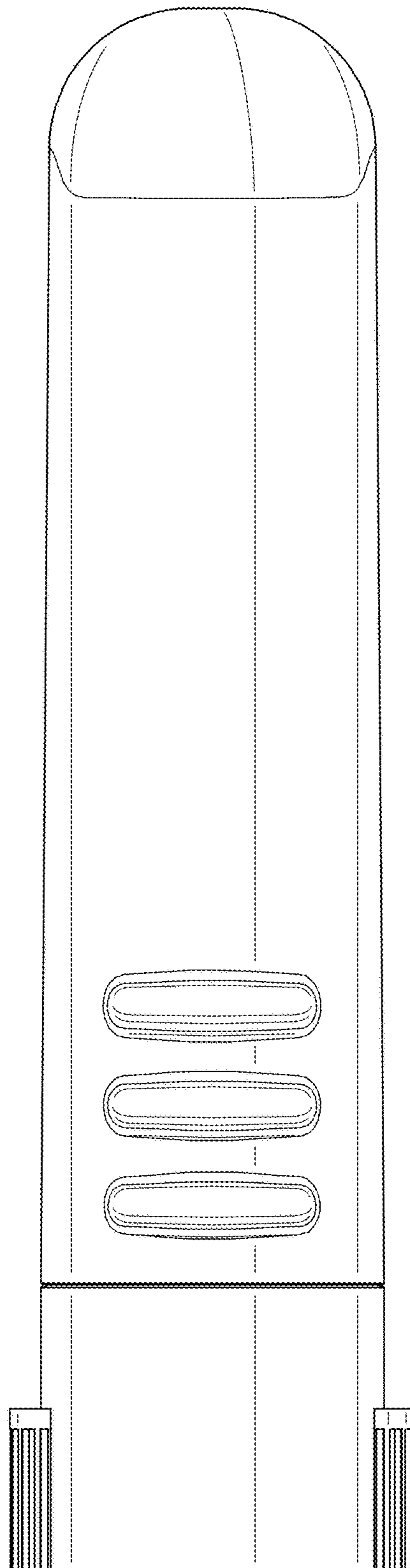


FIG. 4

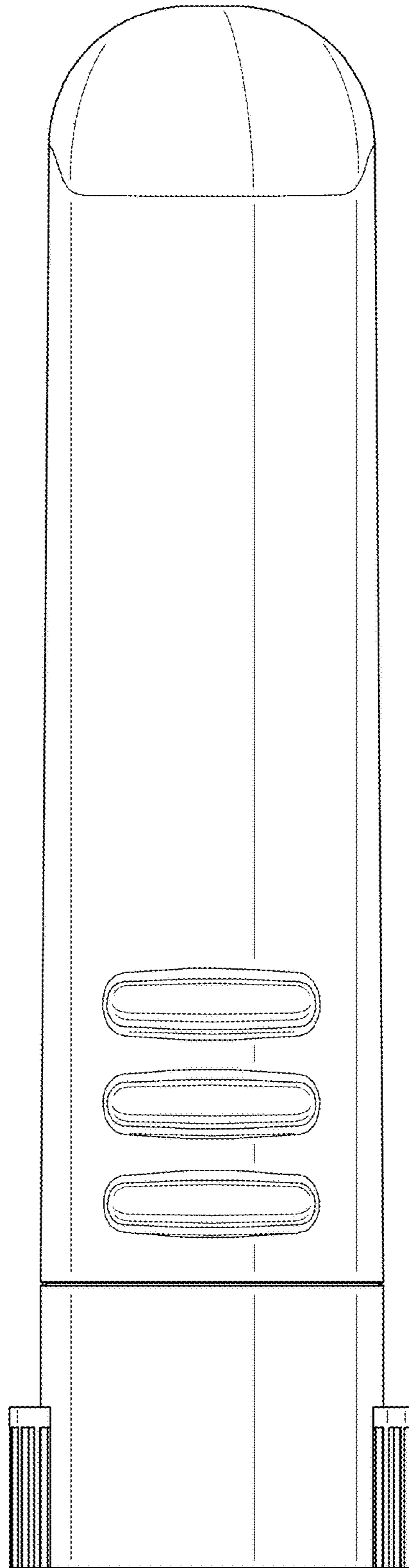


FIG. 5

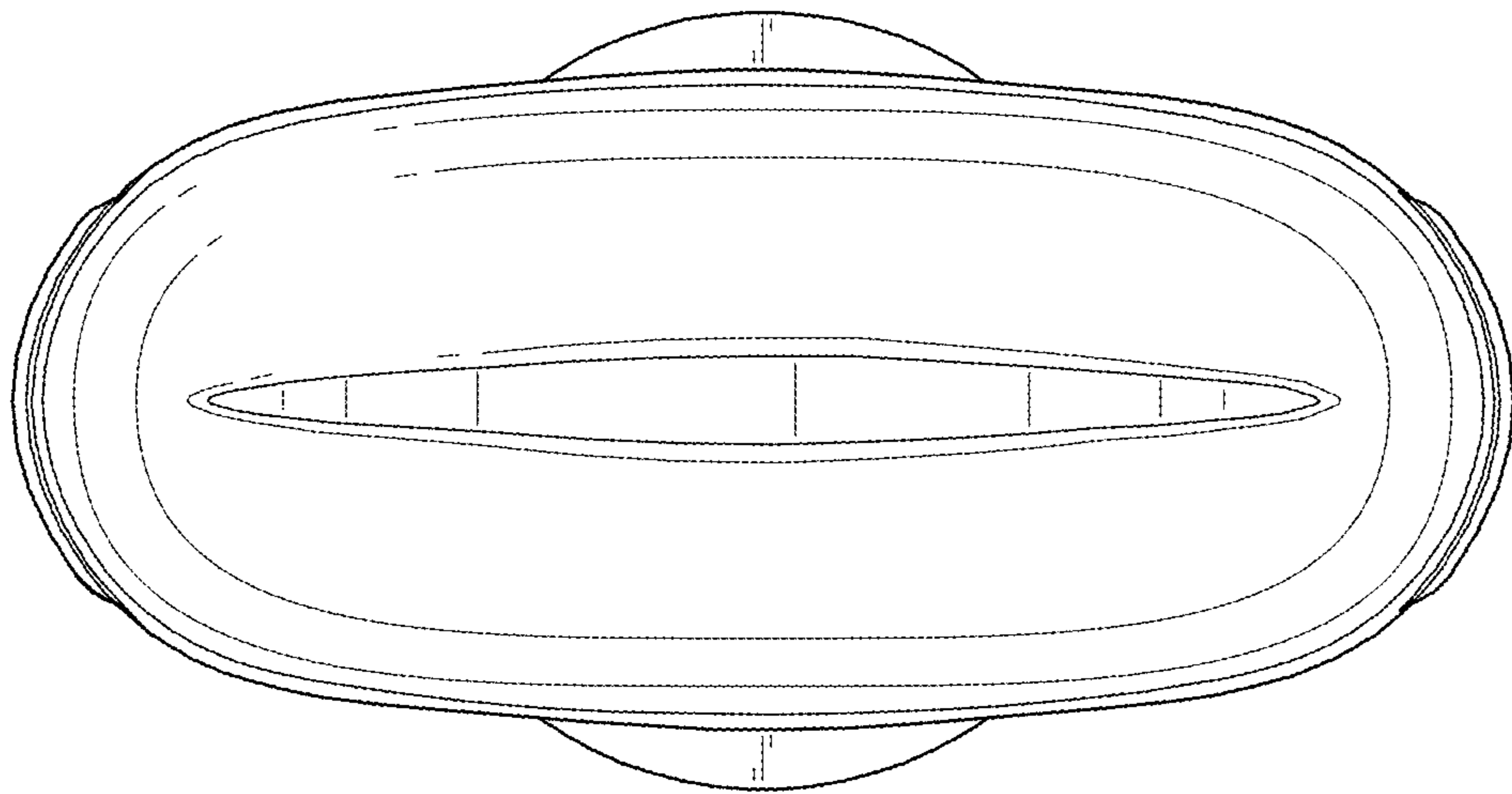


FIG. 6

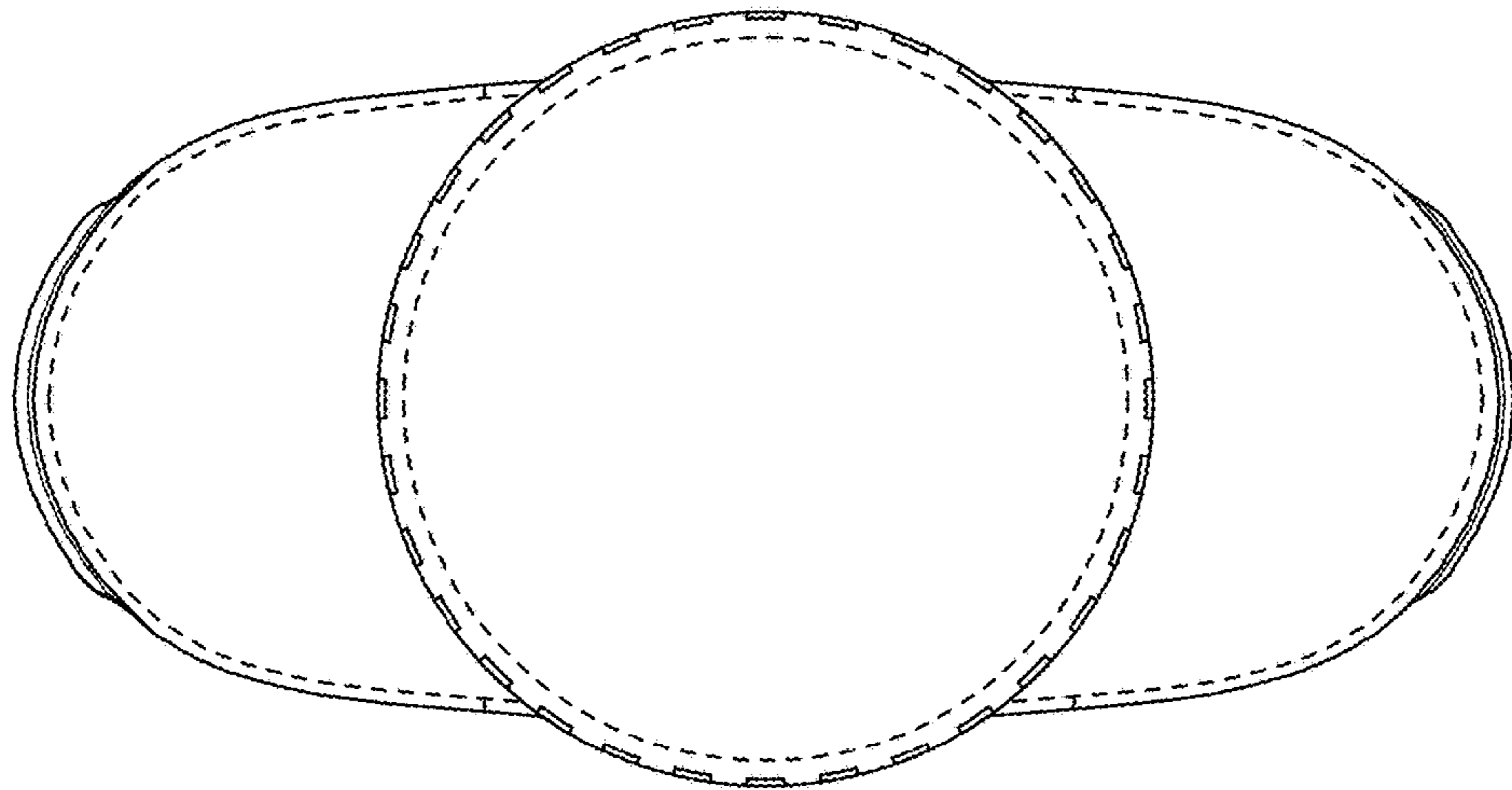


FIG. 7