

US00D821225S

(12) **United States Design Patent** (10) **Patent No.:** **US D821,225 S**
Andochick (45) **Date of Patent:** **** Jun. 26, 2018**

(54) **WATER BAG**

(71) Applicant: **Scott E. Andochick**, Potomac, MD
(US)

(72) Inventor: **Scott E. Andochick**, Potomac, MD
(US)

(**) Term: **15 Years**

(21) Appl. No.: **29/601,957**

(22) Filed: **Apr. 27, 2017**

Related U.S. Application Data

(60) Division of application No. 29/533,765, filed on Jul. 22, 2015, now Pat. No. Des. 787,949, which is a continuation-in-part of application No. 12/543,040, filed on Aug. 18, 2009, now Pat. No. 9,463,914, which is a continuation-in-part of application No. 12/165,561, filed on Apr. 1, 2009, now Pat. No. 8,672,544.

(51) **LOC (11) Cl.** **09-05**

(52) **U.S. Cl.**
USPC **D9/707; D7/313; D7/300; D24/207;**
D9/709

(58) **Field of Classification Search**

USPC D7/514, 515, 516, 517, 519, 520, 536,
D7/513, 300.2, 518, 521, 510, 507, 531,
D7/300, 313; D9/607, 611, 624, 645,
D9/680, 707, 709; 220/700; D30/129;
383/38, 37, 41, 906, 93, 108, 6;
D24/207, 118; 224/148.2; D23/202
CPC A47G 19/2227; A47G 21/145; A47G
23/0208; A45D 27/14; A45F 3/16; A45F
3/20; A45F 5/00; B65D 75/42; B65D
47/2031; B65D 73/02; A61F 13/55145;
A41F 9/002

See application file for complete search history.

(56) **References Cited**

U.S. PATENT DOCUMENTS

2,273,128	A *	2/1942	Madsen	A61F 7/08 251/149.3
D207,068	S *	2/1967	Smith	D9/707
D237,018	S *	9/1975	Betka et al.	D24/118
4,139,130	A *	2/1979	Glusker	A45F 3/16 2/312
4,265,381	A *	5/1981	Muscattell	A41F 9/002 2/312

(Continued)

Primary Examiner — Marianne Pandozzi

(74) *Attorney, Agent, or Firm* — Leveque IP Law, P.C.

(57) **CLAIM**

The ornamental design for a water bag, substantially as shown and described.

DESCRIPTION

FIG. 1 is a perspective view of a water bag showing my new design;

FIG. 2 is a front view thereof;

FIG. 3 is a rear view thereof;

FIG. 4 is a left side view thereof;

FIG. 5 is a right side view thereof;

FIG. 6 is a top plan view thereof;

FIG. 7 is a bottom plan view thereof;

FIG. 8 is an enlarged bottom portion of FIG. 1, broken away for ease of illustration;

FIG. 9 is an enlarged bottom portion of FIG. 2, broken away for ease of illustration;

FIG. 10 is an enlarged bottom portion of FIG. 4, broken away for ease of illustration;

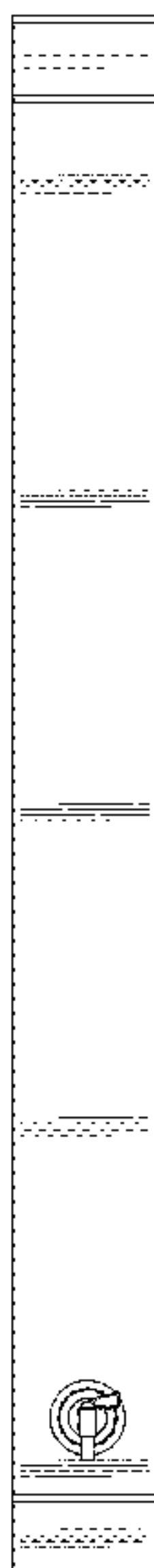
FIG. 11 is an enlarged bottom portion of FIG. 5, broken away for ease of illustration;

FIG. 12 is an enlarged view of FIG. 6; and,

FIG. 13 is an enlarged view of FIG. 7.

The broken lines in the drawings depict environmental subject matter only and form no part of the claimed design.

1 Claim, 4 Drawing Sheets



(56)

References Cited

U.S. PATENT DOCUMENTS

D261,948 S * 11/1981 McConville D23/202
4,634,031 A * 1/1987 Frankhouse A45C 1/04
224/602
4,676,247 A * 6/1987 Van Cleve A61F 7/02
607/112
D300,207 S * 3/1989 Desbiens D9/709
D325,089 S * 3/1992 Shaw D24/206
D331,460 S * 12/1992 Mulder D24/118
D344,016 S * 2/1994 Jacobson D9/709
D352,359 S * 11/1994 Vorhis D24/207
D436,491 S * 1/2001 Anderson D7/300
6,176,394 B1 * 1/2001 Shimko B65D 33/2541
222/185.1
6,454,132 B2 * 9/2002 Champion A45C 11/22
222/105
D468,195 S * 1/2003 Bell D9/707
D478,504 S * 8/2003 Crozet D9/708
6,644,854 B2 * 11/2003 Lien A45F 3/20
222/175
D497,798 S * 11/2004 Doezema D28/7
6,883,683 B1 * 4/2005 Cunningham B65D 75/58
222/107
D541,414 S * 4/2007 Wallace D24/118
D582,788 S * 12/2008 Smith D9/708

D603,957 S * 11/2009 Sato D24/118
D630,335 S * 1/2011 Wise D24/206
D644,534 S * 9/2011 Stengel D9/707
D680,446 S * 4/2013 Moynihan D9/709
D680,880 S * 4/2013 Johnson D9/709
D685,484 S * 7/2013 Brambilla D24/190
D699,128 S * 2/2014 Moynihan D9/707
D707,134 S * 6/2014 Simpson D9/709
D716,667 S * 11/2014 James D9/709
D719,775 S * 12/2014 Price D7/301
D724,953 S * 3/2015 Epstein D9/707
D727,672 S * 4/2015 Price D11/126
D749,427 S * 2/2016 Sorbatti D9/707
D751,848 S * 3/2016 Price D7/300
D770,915 S * 11/2016 James D9/707
2003/0194156 A1 * 10/2003 Lien A45F 3/20
383/66
2007/0127854 A1 * 6/2007 Smith B65D 75/30
383/66
2008/0230429 A1 * 9/2008 Anderson B65D 81/2038
206/524.8
2010/0032458 A1 * 2/2010 Shitaye A45F 5/00
224/148.2
2013/0195382 A1 * 8/2013 Murray B65D 75/008
383/10
2017/0367465 A1 * 12/2017 Hopmeier A45F 3/16

* cited by examiner

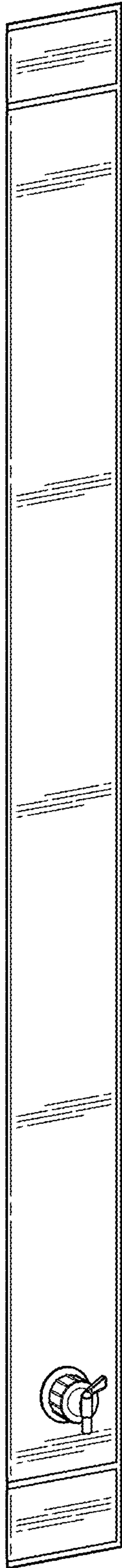


FIG. 1

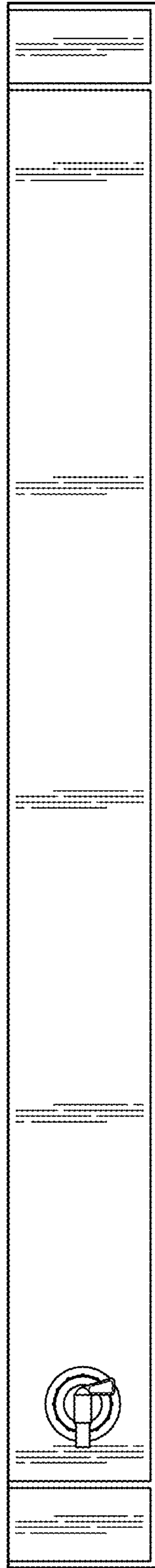


FIG. 2

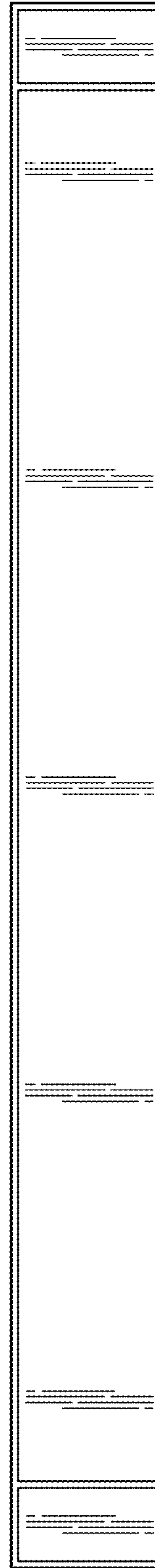


FIG. 3

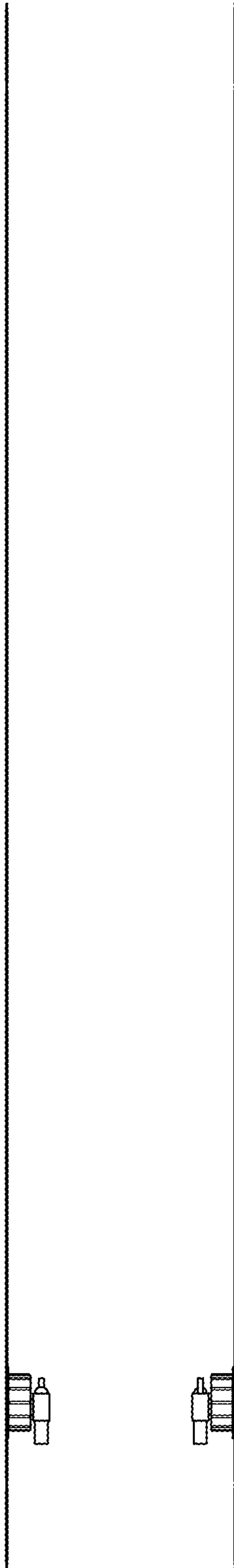


FIG. 4

FIG. 5



FIG. 6

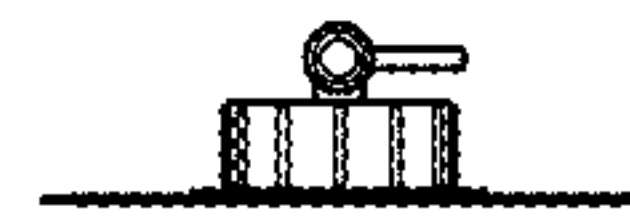


FIG. 7

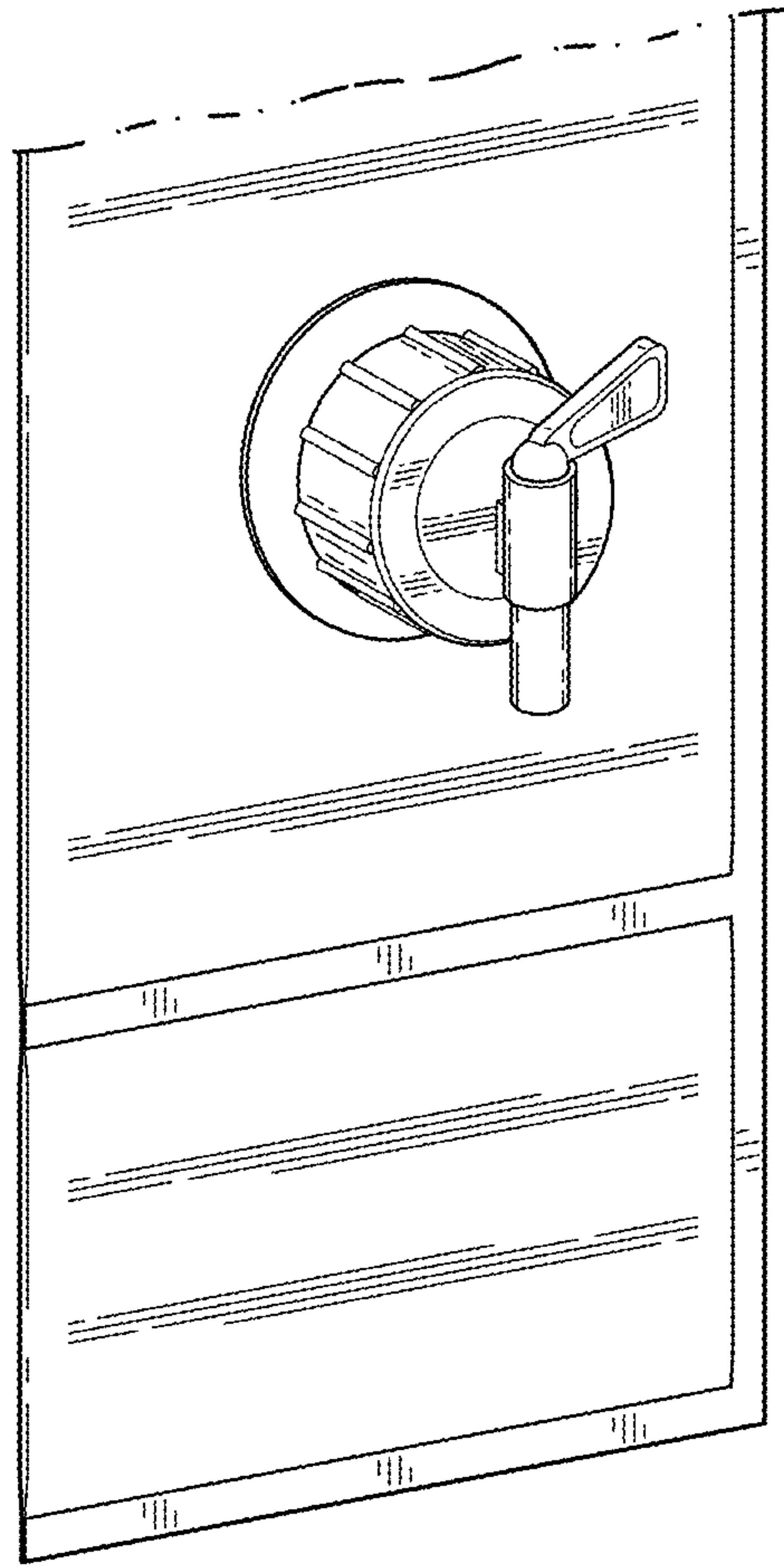


FIG. 8

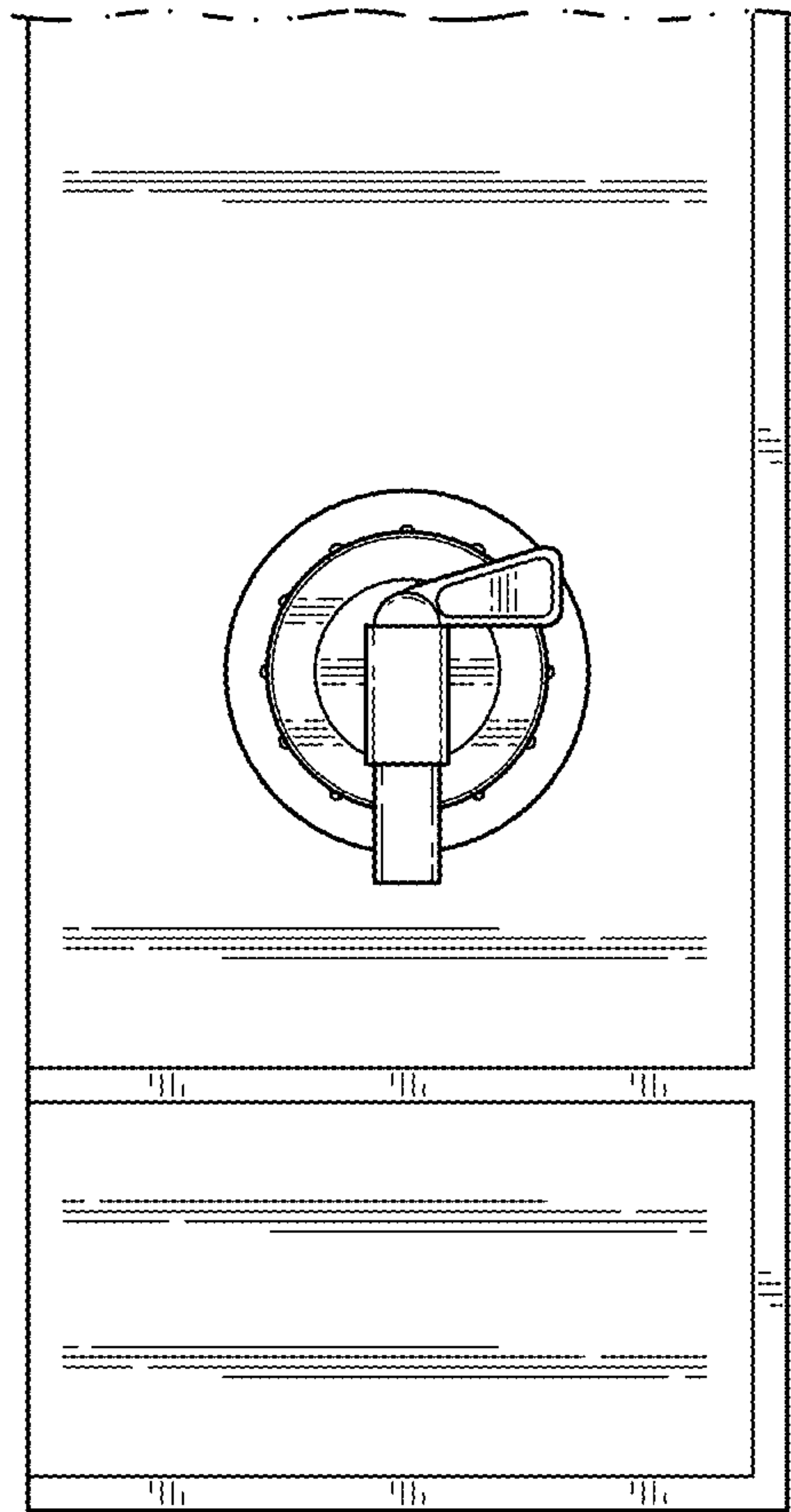


FIG. 9

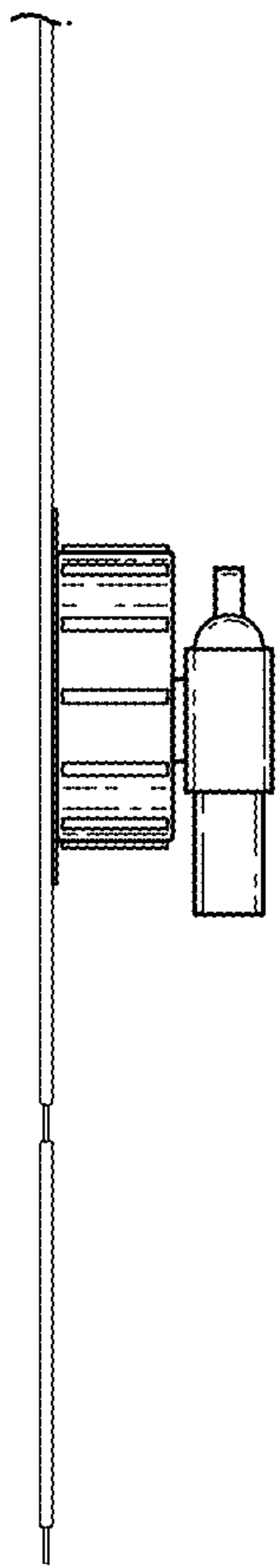


FIG. 10

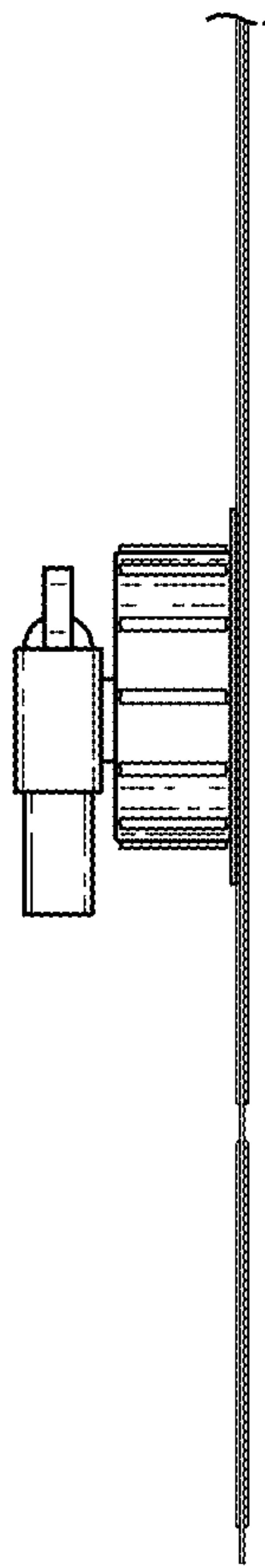


FIG. 11

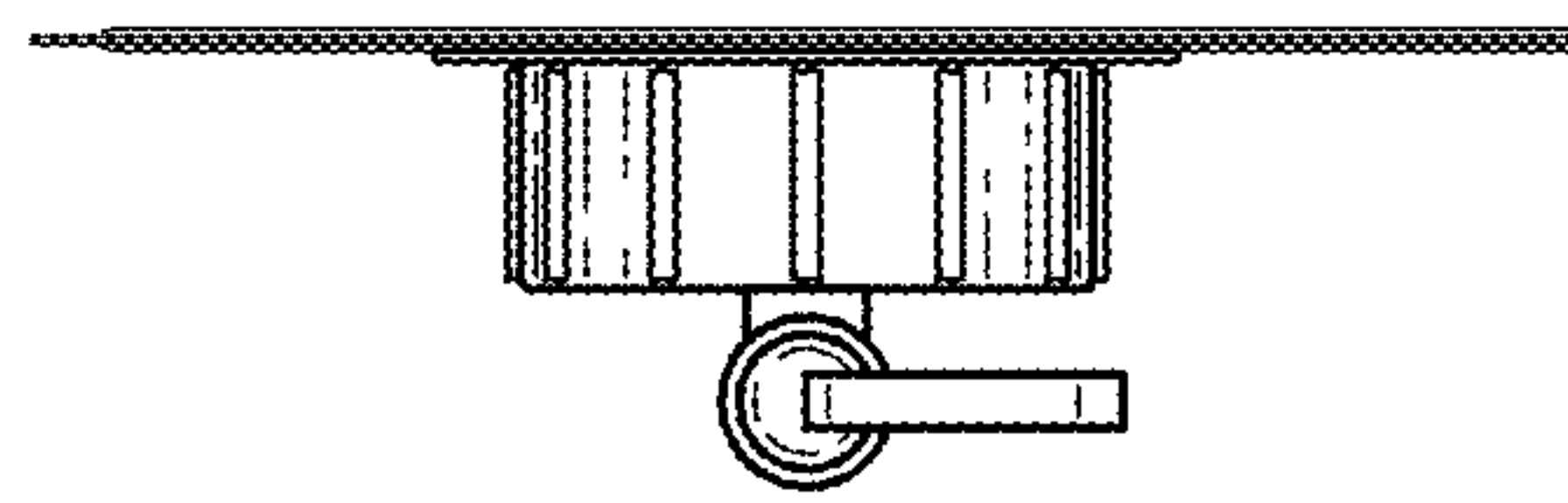


FIG. 12

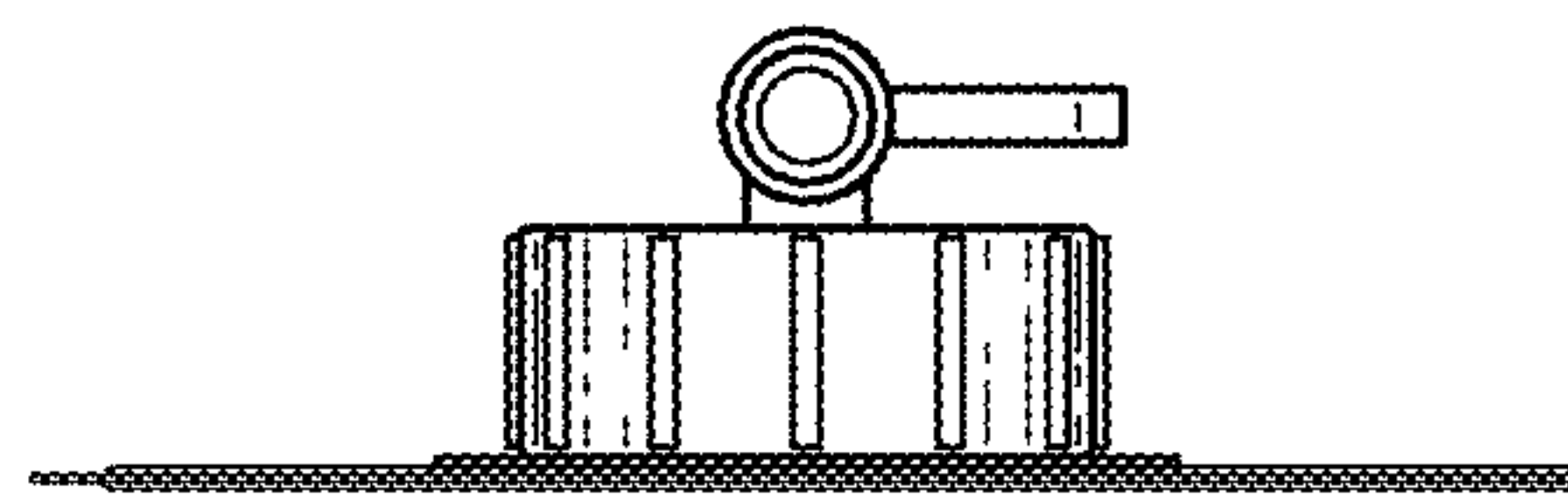


FIG. 13

UNITED STATES PATENT AND TRADEMARK OFFICE
CERTIFICATE OF CORRECTION

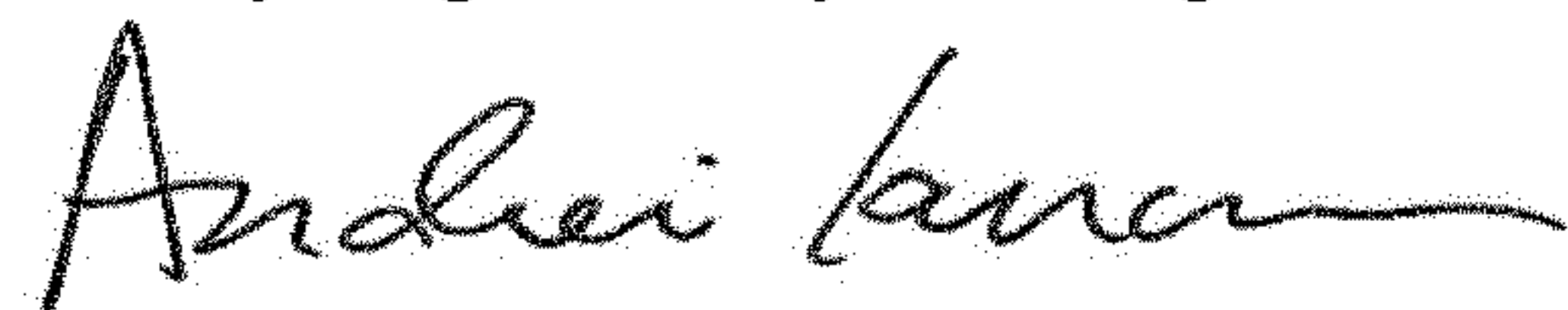
PATENT NO. : D821,225 S
APPLICATION NO. : 29/601957
DATED : June 26, 2018
INVENTOR(S) : Scott E. Andochick

Page 1 of 1

It is certified that error appears in the above-identified patent and that said Letters Patent is hereby corrected as shown below:

The Related U.S. Application Data item (60) should be replaced with the following:
(60) Division of application No. 29/533,765, filed on Jul. 22, 2015, now Pat. No. Des. 787,949, which is a continuation-in-part of application No. 12/543,040, filed on Aug. 18, 2009, now Pat. No. 9,463,914, which is a continuation-in-part of application No. 12/416,561, filed on Apr. 1, 2009, now Pat. No. 8,672,544.

Signed and Sealed this
Twenty-eighth Day of August, 2018



Andrei Iancu
Director of the United States Patent and Trademark Office