



US00D821224S

(12) **United States Design Patent**
Mecker et al.

(10) **Patent No.:** **US D821,224 S**
(45) **Date of Patent:** **** Jun. 26, 2018**

(54) **CARTRIDGE**

- (71) Applicant: **S. C. Johnson & Son, Inc.**, Racine, WI (US)
- (72) Inventors: **Alex Mecker**, Milwaukee, WI (US);
Jason K. Stanbro, Sturtevant, WI (US);
Gregory G. Pieper, Spring Grove, IL (US);
Kevin Harrity, Oak Creek, WI (US);
Kara Gregory, Milwaukee, WI (US)
- (73) Assignee: **S. C. Johnson & Son, Inc.**, Racine, WI (US)

(**) Term: **15 Years**

(21) Appl. No.: **29/580,380**

(22) Filed: **Oct. 7, 2016**

(51) **LOC (11) Cl.** **09-05**

(52) **U.S. Cl.**
USPC **D9/707**

(58) **Field of Classification Search**
USPC D3/201, 202, 269, 302, 303; D9/418,
D9/424, 430, 696, 707, 715, 722, 730,
(Continued)

(56) **References Cited**

U.S. PATENT DOCUMENTS

- 3,288,280 A * 11/1966 Bostrom B65D 75/36
206/461
- D222,236 S * 10/1971 Peragine D9/696
(Continued)

FOREIGN PATENT DOCUMENTS

- EM 001292627-0001 9/2011
- EM 002005181-0001 3/2012
(Continued)

OTHER PUBLICATIONS

Glade Plugins Car Air Freshener Starter Kit (via amazon.com), available Aug. 15, 2017, [online], [site visited Dec. 29, 2017]. Video available from internet, <URL: https://www.amazon.com/Glade-Plugins-Freshener-Starter-Feel/dp/B073TZK3SV/ref=pd_sim_263_2?_encoding=UTF8&refRID=VKDH82BBBSD018E66M90&th=1.*>

(Continued)

Primary Examiner — Cathron C Brooks

Assistant Examiner — W. A. Teddy Falloway

(74) *Attorney, Agent, or Firm* — Quarles & Brady LLP

(57) **CLAIM**

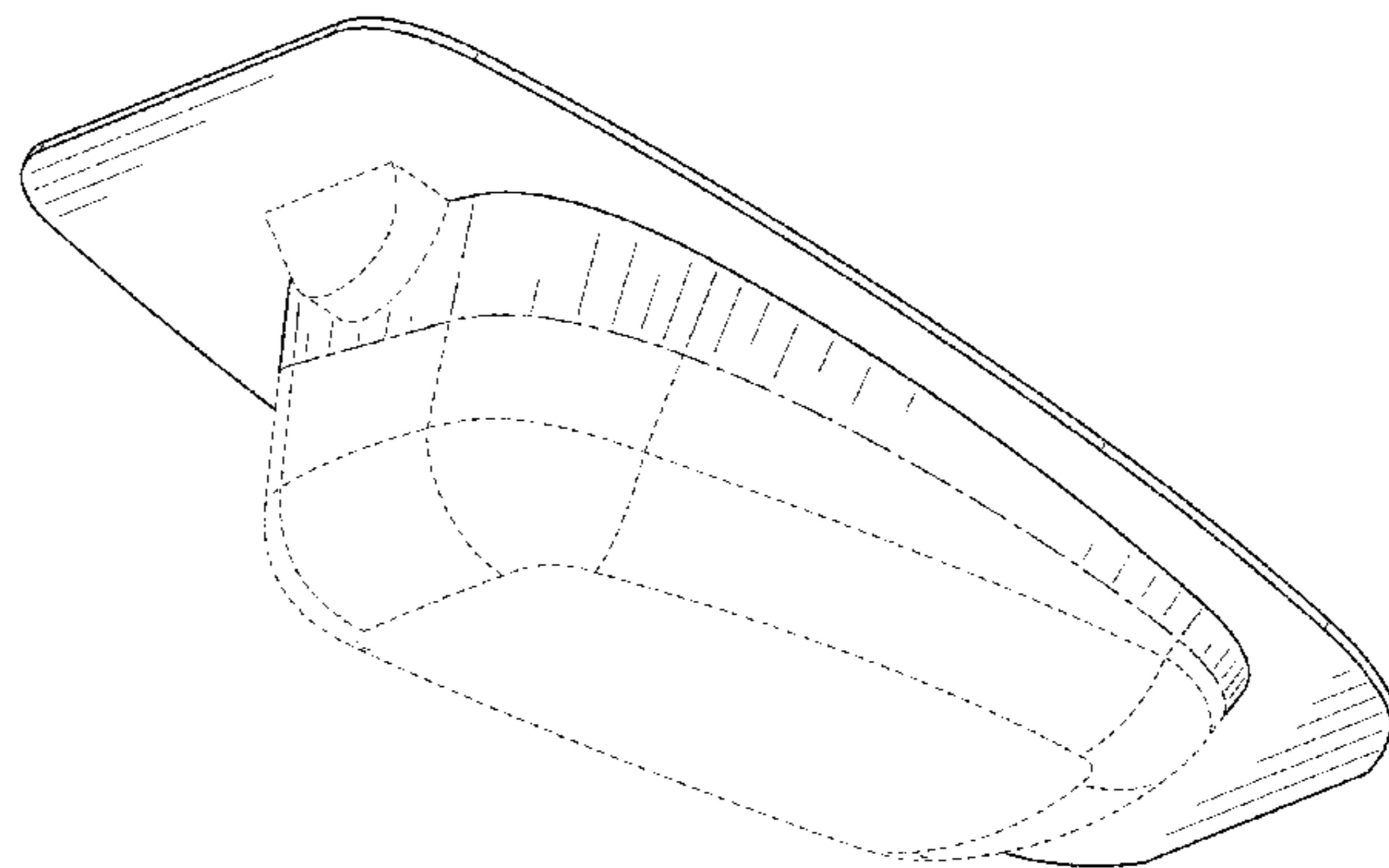
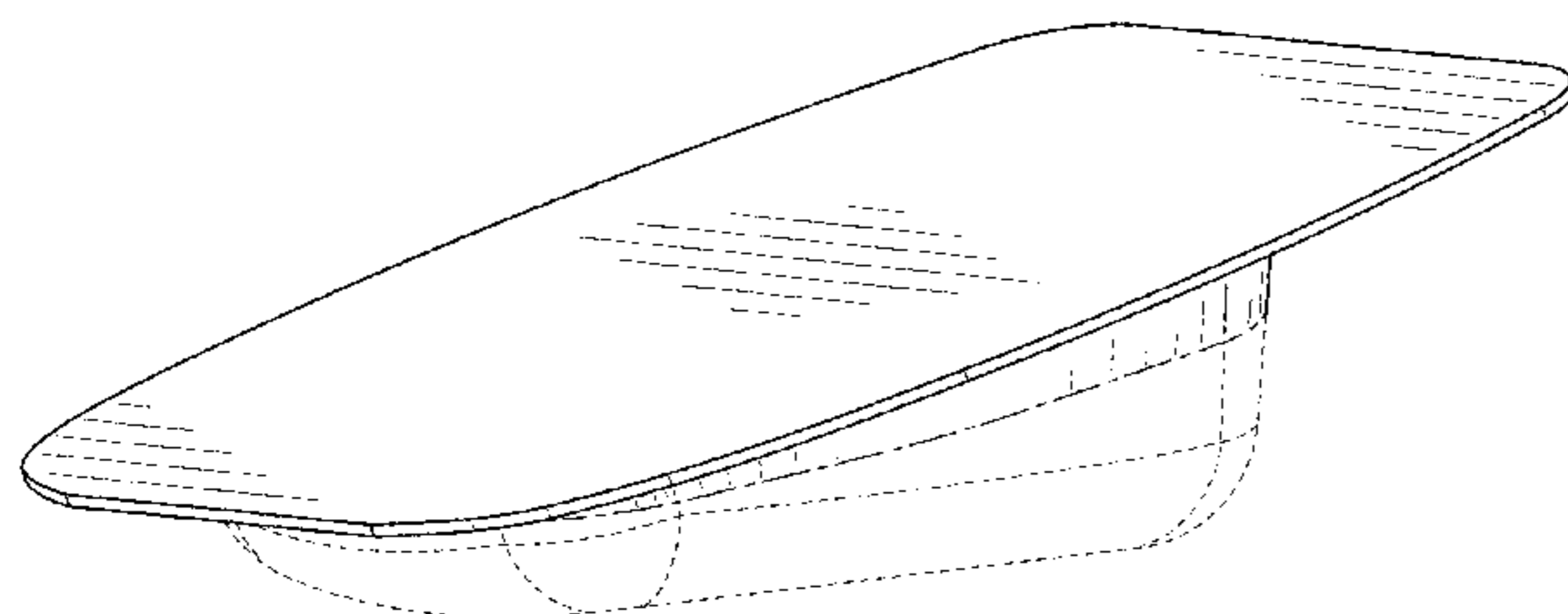
The ornamental design for a cartridge, as shown and described.

DESCRIPTION

FIG. 1 is an isometric view of a top, front, and right side of an ornamental design for a cartridge;
FIG. 2 is a front elevational view of the cartridge of FIG. 1;
FIG. 3 is a rear elevational view of the cartridge of FIG. 1;
FIG. 4 is a right side elevational view of the cartridge of FIG. 1;
FIG. 5 is a left side elevational view of the cartridge of FIG. 1;
FIG. 6 is a top plan view of the cartridge of FIG. 1;
FIG. 7 is a bottom plan view of the cartridge of FIG. 1; and,
FIG. 8 is an isometric view of a bottom, rear, and left side of the cartridge of FIG. 1.

The dash-dash-dash broken lines are included for the purpose of illustrating portions of the cartridge that form no part of the claimed design. The dash-dot-dash line depicts a boundary line and forms no part of the claimed design.

1 Claim, 6 Drawing Sheets



(58) **Field of Classification Search**

USPC D9/732, 414-416; D23/366; 206/229, 206/461, 471, 525.1, 562, 563, 569, 570, 206/586, 822; 229/125.35, 5.5, 200-203, 229/125.33, 3.1, 87.08; D7/510; 392/390, 392, 394; D28/8.1; D24/227; 261/DIG. 17, DIG. 65; 222/42, 107; D22/122
 CPC B65D 75/366; B65D 75/36; B65D 2581/055; B65D 75/32; B65D 73/0092; B65D 1/36; B65D 81/113; B65D 75/22; B65D 43/162; B65D 2543/00296; B65D 75/322; B65D 75/326; B65D 81/133; B65D 5/503; Y10S 206/822; Y10S 299/904; Y10S 206/823
 See application file for complete search history.

(56) **References Cited**

U.S. PATENT DOCUMENTS

4,301,926 A * 11/1981 Chung B65D 77/2052 222/107
 4,415,084 A * 11/1983 Hauser B65D 75/366 206/461
 4,750,669 A * 6/1988 Leight B65D 77/2024 206/461
 D304,299 S 10/1989 Sakamoto
 D315,202 S 3/1991 Kunze
 D317,690 S * 6/1991 Thomsen D6/545
 5,052,558 A * 10/1991 Carter B65B 11/52 206/439
 5,111,932 A * 5/1992 Campbell B65D 75/5855 206/216
 D330,331 S * 10/1992 Hsiao D9/732
 D336,034 S 6/1993 Rebilas
 5,556,192 A * 9/1996 Wang A01M 1/2077 362/253
 D407,640 S 4/1999 Nelson et al.
 6,031,967 A * 2/2000 Flashinski A01M 1/2077 239/55
 D445,673 S * 7/2001 Richardson D28/8.1
 D445,674 S 7/2001 Pritchett
 6,443,305 B1 * 9/2002 Stanford B24D 15/10 206/352
 D469,348 S 1/2003 Demus et al.
 D486,213 S 2/2004 Novak
 6,830,149 B2 * 12/2004 Merboth A01N 1/02 206/438
 D513,433 S 1/2006 Lemaire
 D513,589 S * 1/2006 Grant D9/418
 D515,915 S * 2/2006 Karim D28/8.1
 D520,130 S 5/2006 Miro
 D525,352 S 7/2006 Lemaire
 D556,603 S 12/2007 Barnes et al.
 D557,396 S 12/2007 Cheng
 D559,706 S * 1/2008 Clements D9/732
 D564,650 S 3/2008 Hasik et al.
 D580,783 S * 11/2008 Murray D9/707
 D620,809 S 8/2010 Caldwell et al.
 D623,073 S 9/2010 Caldwell et al.
 D632,564 S * 2/2011 Caldwell D9/435
 D632,565 S * 2/2011 Caldwell D9/435
 D632,566 S 2/2011 Caldwell et al.
 D632,567 S * 2/2011 Caldwell D9/435
 D632,568 S * 2/2011 Caldwell D9/435
 D632,569 S 2/2011 Caldwell et al.
 D634,643 S 3/2011 Caldwell et al.
 D641,642 S * 7/2011 Caldwell D9/707
 D652,298 S * 1/2012 Caldwell D9/435
 D663,414 S * 7/2012 Robin D24/115
 D670,573 S * 11/2012 McDermott D9/707
 D680,208 S 4/2013 Gordon
 D680,882 S 4/2013 Logue
 D685,076 S 6/2013 Gordon

8,463,114 B2 * 6/2013 Garcia Fabrega A61L 9/037 219/521
 D686,922 S 7/2013 Davis et al.
 D706,644 S 6/2014 Ruiz, Sr. et al.
 D711,735 S * 8/2014 Atkinson D9/415
 8,844,757 B2 * 9/2014 Wilmers B65D 75/326 220/608
 D723,365 S * 3/2015 Mitchell D9/416
 9,061,796 B2 * 6/2015 Caldwell B65D 21/0202
 D739,227 S * 9/2015 Mitchell D9/416
 D752,438 S * 3/2016 Palmer D9/457
 D758,180 S * 6/2016 Wintolders D9/415
 D765,520 S * 9/2016 Gunder D9/732
 D777,292 S * 1/2017 Schumacher D22/122
 9,815,606 B2 * 11/2017 Barton B65D 75/5866
 2004/0001916 A1 * 1/2004 Boffito C23C 14/06 427/248.1
 2006/0249403 A1 * 11/2006 Newman A45C 11/005 206/5.1
 2006/0278562 A1 * 12/2006 Van Puijenbroek . B65D 17/165 206/581
 2007/0034533 A1 * 2/2007 Coldrey B65D 75/366 206/5.1
 2007/0164045 A1 * 7/2007 Wydler B65D 75/5866 222/106
 2007/0228073 A1 * 10/2007 Mazzarino B65D 75/5811 222/107
 2008/0190789 A1 * 8/2008 D'Amico A61L 9/12 206/229
 2009/0071978 A1 * 3/2009 Sharp B65D 1/32 222/107
 2009/0148142 A1 * 6/2009 McGee A61L 9/03 392/387
 2010/0320206 A1 * 12/2010 Caldwell B65D 75/563 220/266
 2011/0248030 A1 * 10/2011 Skwarek B65D 75/366 220/4.21
 2011/0290675 A1 * 12/2011 Shiue B65D 73/0092 206/5
 2013/0134066 A1 * 5/2013 Marcinkowski B65D 73/00 206/461
 2016/0015847 A1 * 1/2016 Irvin A61L 9/03 392/390
 2016/0244203 A1 * 8/2016 Caminada B65D 17/24

FOREIGN PATENT DOCUMENTS

EM 002678821-0021 4/2015
 EM 002678821-0022 4/2015
 EM 003814508-0001 3/2017
 EM 003814508-0002 3/2017
 EM 003814508-0003 3/2017
 EM 003847151-0001 4/2017
 EM 003847151-0002 4/2017
 EM 003847151-0003 4/2017
 EM 003847151-0004 4/2017
 EM 003847151-0005 4/2017
 EM 003847151-0006 4/2017
 EM 003847151-0007 4/2017
 EM 003847151-0008 4/2017
 EM 003847177-0001 4/2017
 EM 003847177-0002 4/2017
 EM 003847177-0003 4/2017
 EM 003847177-0004 4/2017
 EM 003847177-0005 4/2017
 EM 003847177-0006 4/2017
 EM 003847177-0007 4/2017
 EM 003847177-0008 4/2017

OTHER PUBLICATIONS

BzzAgent Glade Car Air Freshener (via YouTube.com), available Sep. 18, 2017, [online], [site visited Dec. 29, 2017]. Video available from internet, <URL: https://www.youtube.com/watch?v=hDVRIBW_Gwo>.*

(56)

References Cited

OTHER PUBLICATIONS

Glade Sense & Spray Refill, available Sep. 12, 2014, [online], [site visited Dec. 29, 2017]. Available from internet, <URL: <https://www.amazon.com/Glade-Sense-Spray-Refill-Springs/dp/B004RRFNKO>>.*

Febreze Air Purifier Scent Cartridge Refill, available Nov. 6, 2014, [online], [site visited Dec. 29, 2017]. Available from internet, <URL: <https://www.hsn.com/products/febreze-air-purifier-scent-cartridge-refill-2-pk/7550891>>.*

* cited by examiner

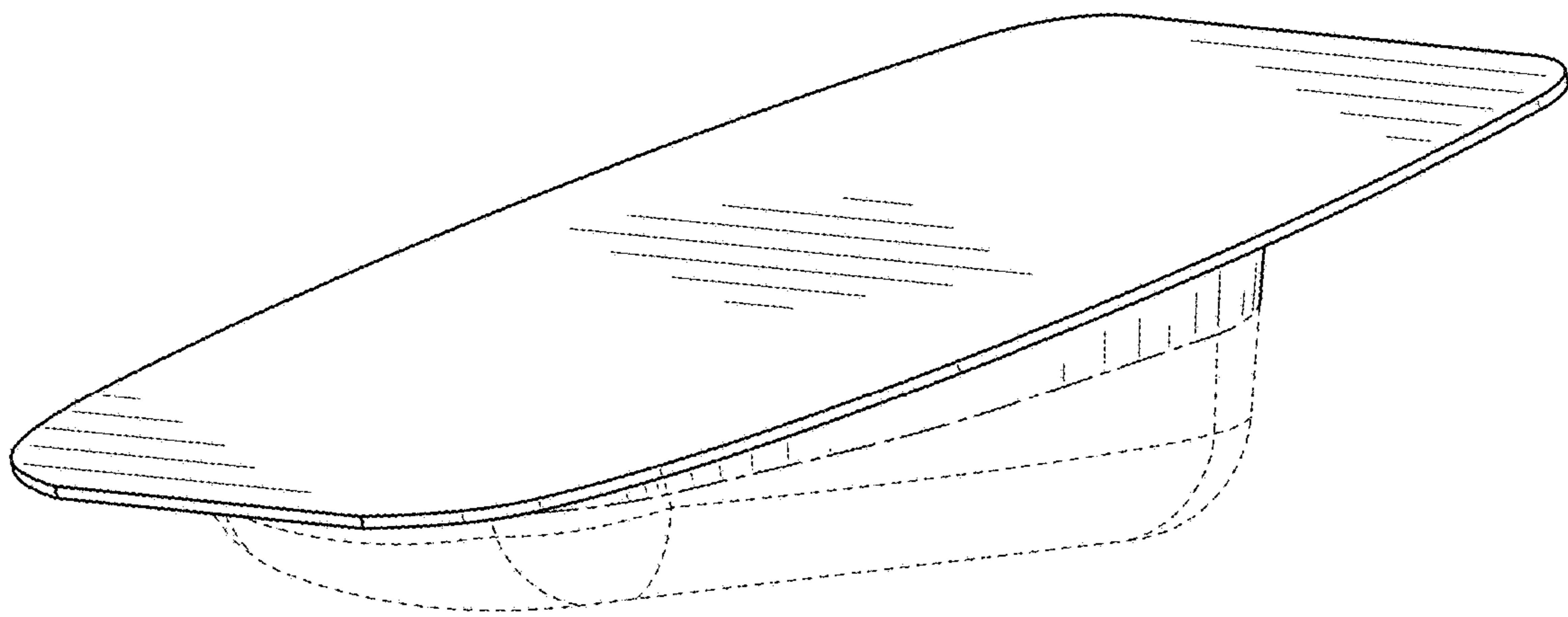


FIG. 1

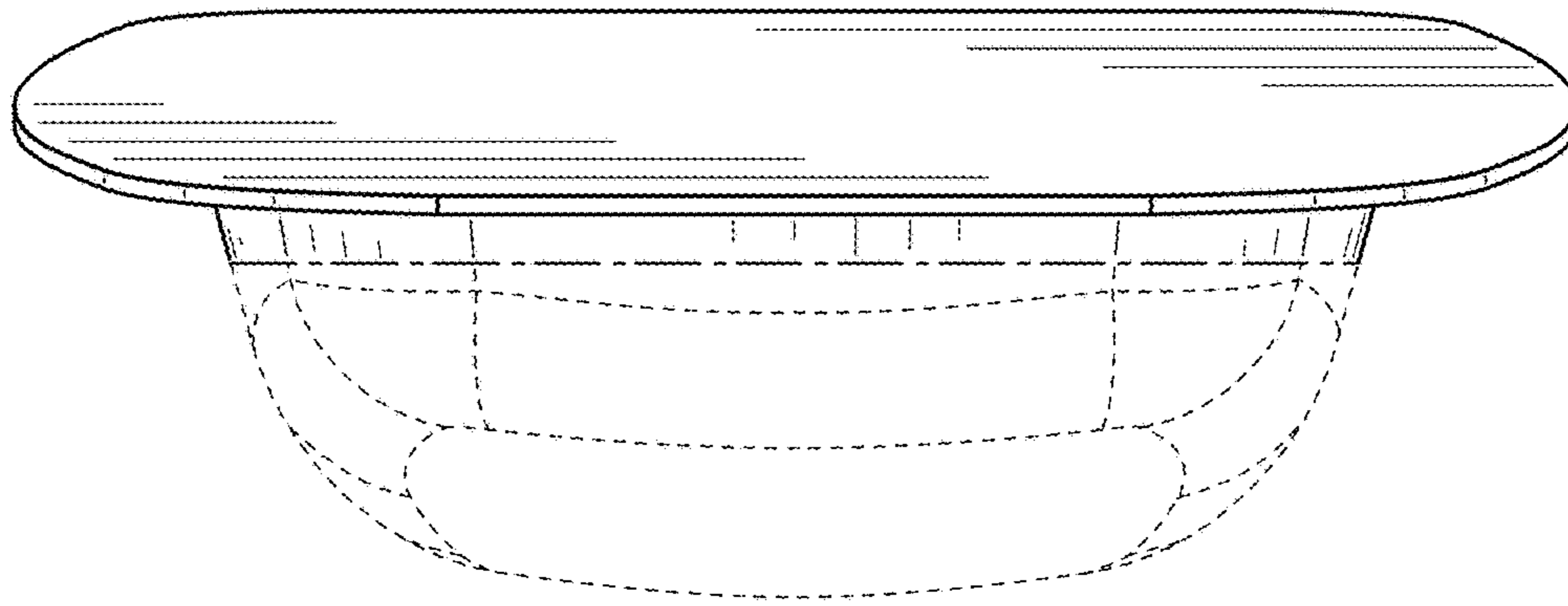


FIG. 2

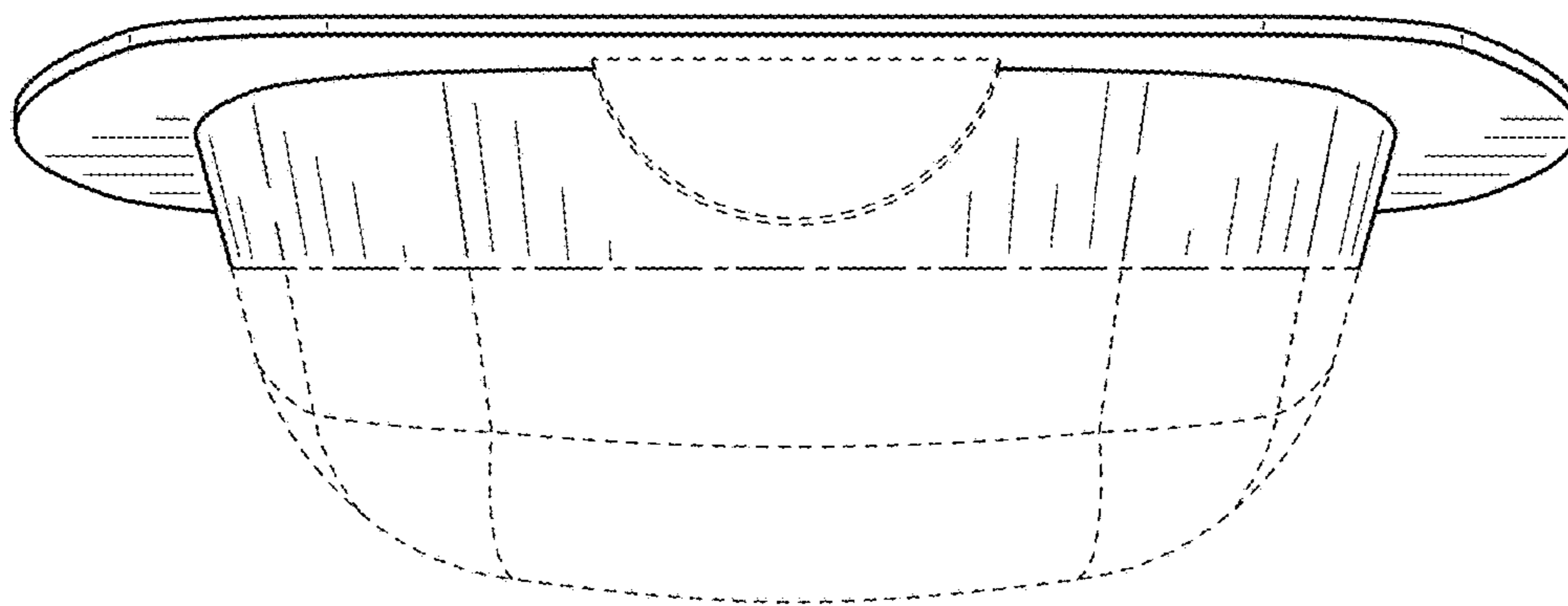


FIG. 3

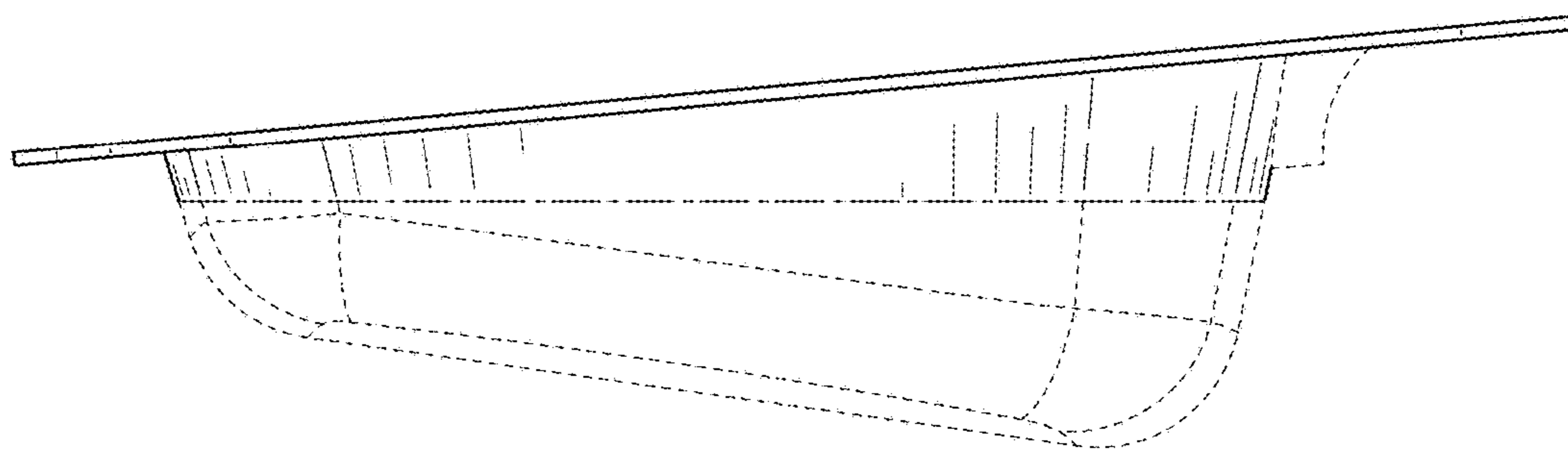


FIG. 4

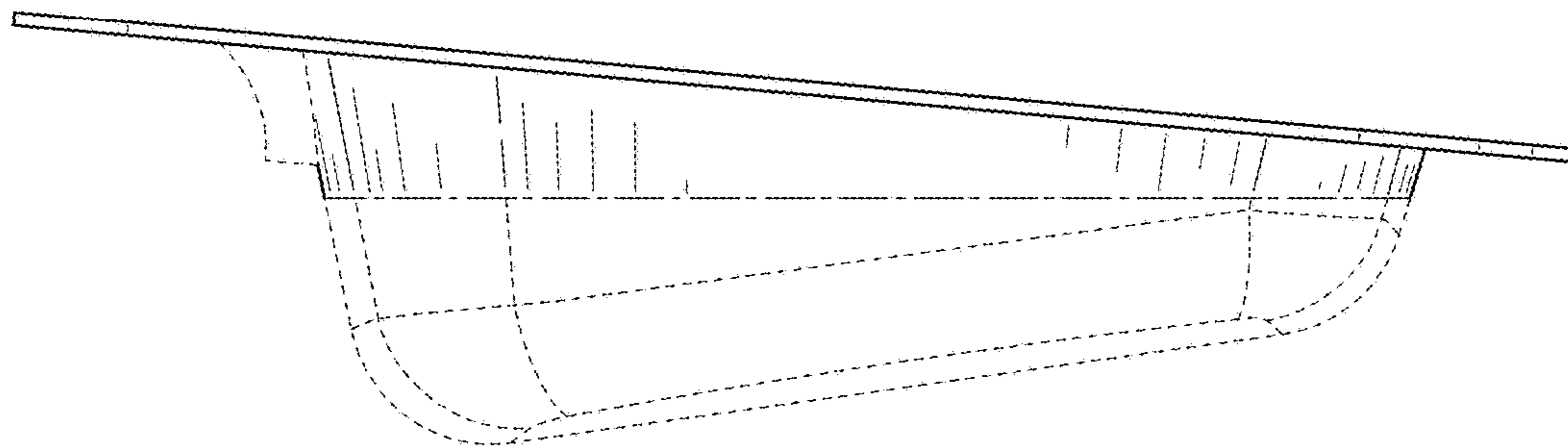


FIG. 5

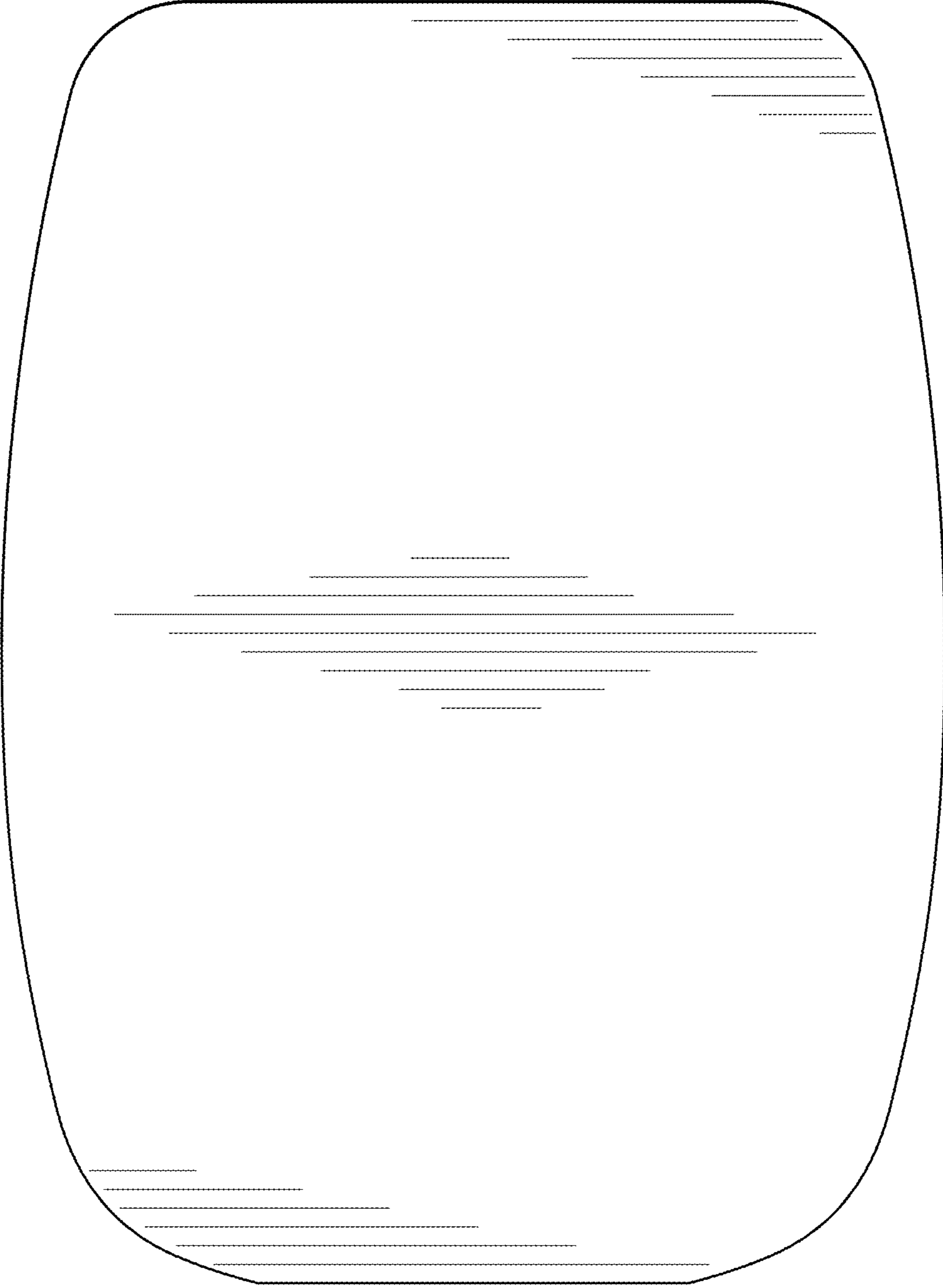


FIG. 6

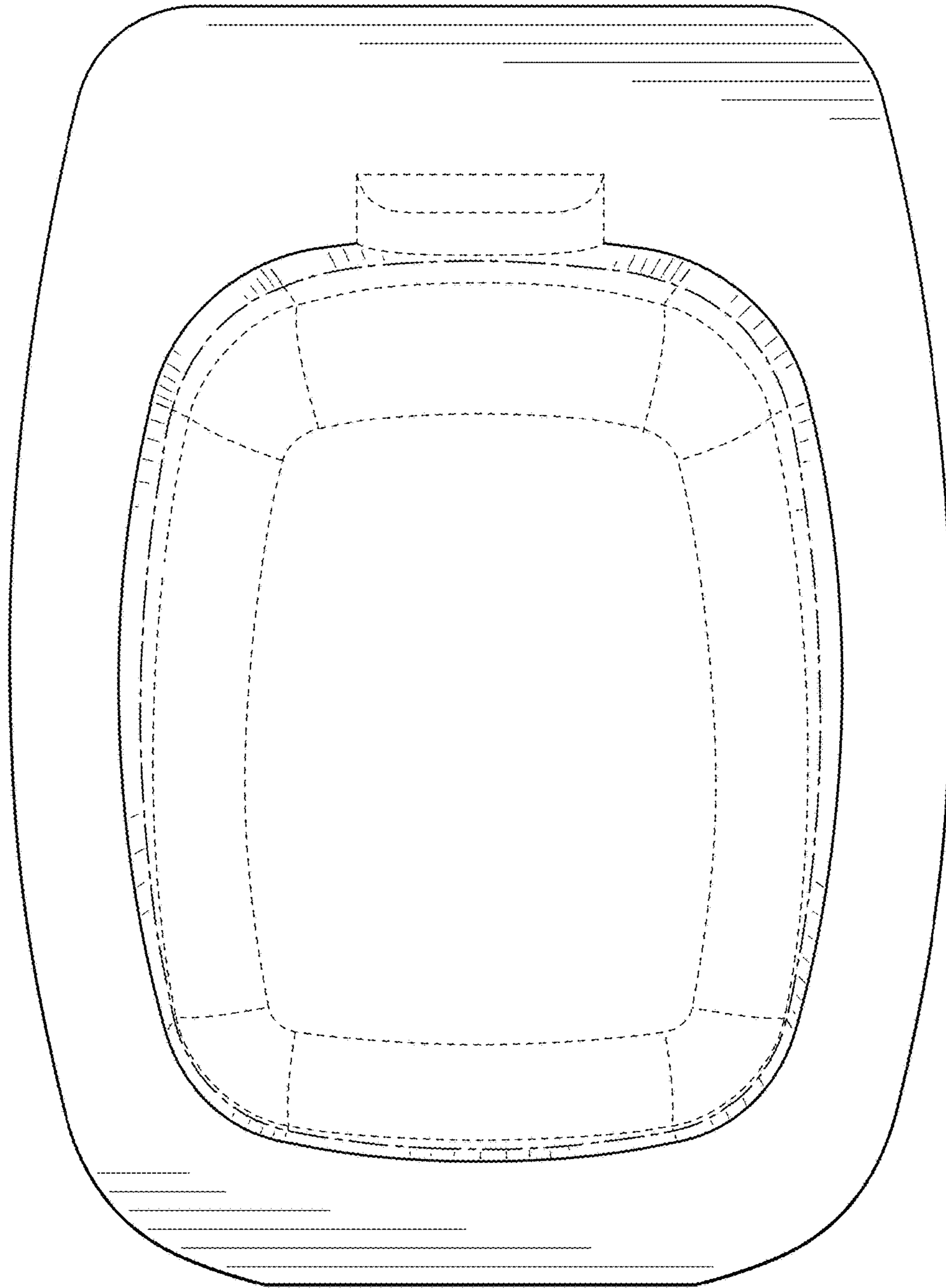


FIG. 7

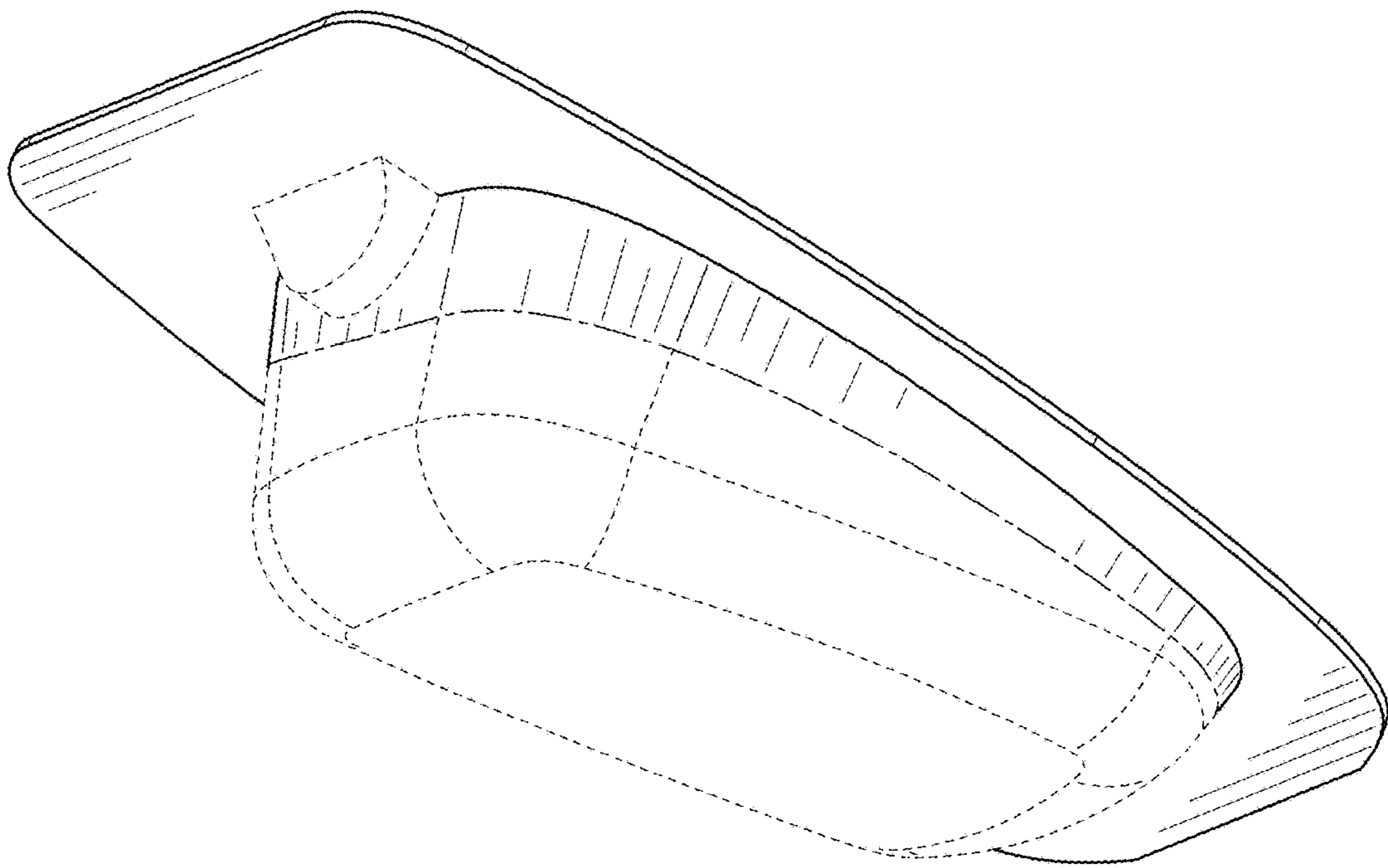


FIG. 8