



US00D821216S

(12) **United States Design Patent**  
**Weinrich**

(10) **Patent No.:** **US D821,216 S**  
(45) **Date of Patent:** **\*\* Jun. 26, 2018**

(54) **COSMETIC JAR**

(71) Applicant: **ELC Management LLC**, Melville, NY  
(US)

(72) Inventor: **Allan Justin Weinrich**, New York, NY  
(US)

(73) Assignee: **ELC Management LLC**, Melville, NY  
(US)

(\*\*) Term: **15 Years**

(21) Appl. No.: **29/566,615**

(22) Filed: **Jun. 1, 2016**

(51) **LOC (11) Cl.** ..... **09-01**

(52) **U.S. Cl.**

USPC ..... **D9/560**; D9/435

(58) **Field of Classification Search**

USPC ..... D9/434, 435, 444-445, 449, 452-454,  
D9/500-505, 516, 519, 521-526,  
D9/529-530, 535, 537-546, 548-575,  
D9/682-694, 723-729; D7/300, 598;  
215/252, 253, 379, 381-385; 220/660,  
220/662, 669-673, 675; D28/4, 7, 73,  
D28/76-77, 82, 85-87

CPC ..... B65D 1/0223; B65D 2501/0036; B65D  
79/005; B65D 23/102; B65D 2501/0027;  
B65D 23/0814; B65D 1/0233; B65D  
1/095; B65D 2251/023; B65D 2255/20;  
B65D 41/0485; B65D 47/122; B65D  
1/00; B65D 1/02; B65D 1/07; B65D  
1/0023; B65D 1/10; B65D 23/00; B65D  
2501/00; B65D 2501/0009; B65D 33/00;  
B65D 75/5872; B65C 3/08; A45D  
2034/002; A45D 34/045

See application file for complete search history.

(56) **References Cited**

**U.S. PATENT DOCUMENTS**

D271,180 S 11/1983 Runyon  
D405,699 S \* 2/1999 Chae ..... D9/558

D532,556 S \* 11/2006 Noh ..... D28/76  
D540,689 S 4/2007 Dorfmuller  
D615,868 S \* 5/2010 Rodriguez ..... D28/76  
D620,368 S 7/2010 Pedersen  
D640,925 S \* 7/2011 Rodriguez ..... D28/76  
D641,245 S \* 7/2011 Rodriguez ..... D28/76  
D645,749 S \* 9/2011 Lee ..... D9/454  
D654,799 S 2/2012 Liu  
D659,004 S \* 5/2012 McCoy ..... D28/82  
D674,698 S \* 1/2013 Mongeon ..... D9/504  
D697,800 S \* 1/2014 Villarreal ..... D28/82  
D697,806 S \* 1/2014 In ..... D9/454

(Continued)

**FOREIGN PATENT DOCUMENTS**

CN 3491739 12/2005  
CN 302008302 7/2012

(Continued)

*Primary Examiner* — Anhdao Doan

*Assistant Examiner* — Mary Malley

(74) *Attorney, Agent, or Firm* — Ka Wah J. Lee

(57)

**CLAIM**

The ornamental design for a cosmetic jar, as shown and described.

**DESCRIPTION**

FIG. 1 is a top perspective view of my new design for a cosmetic jar;

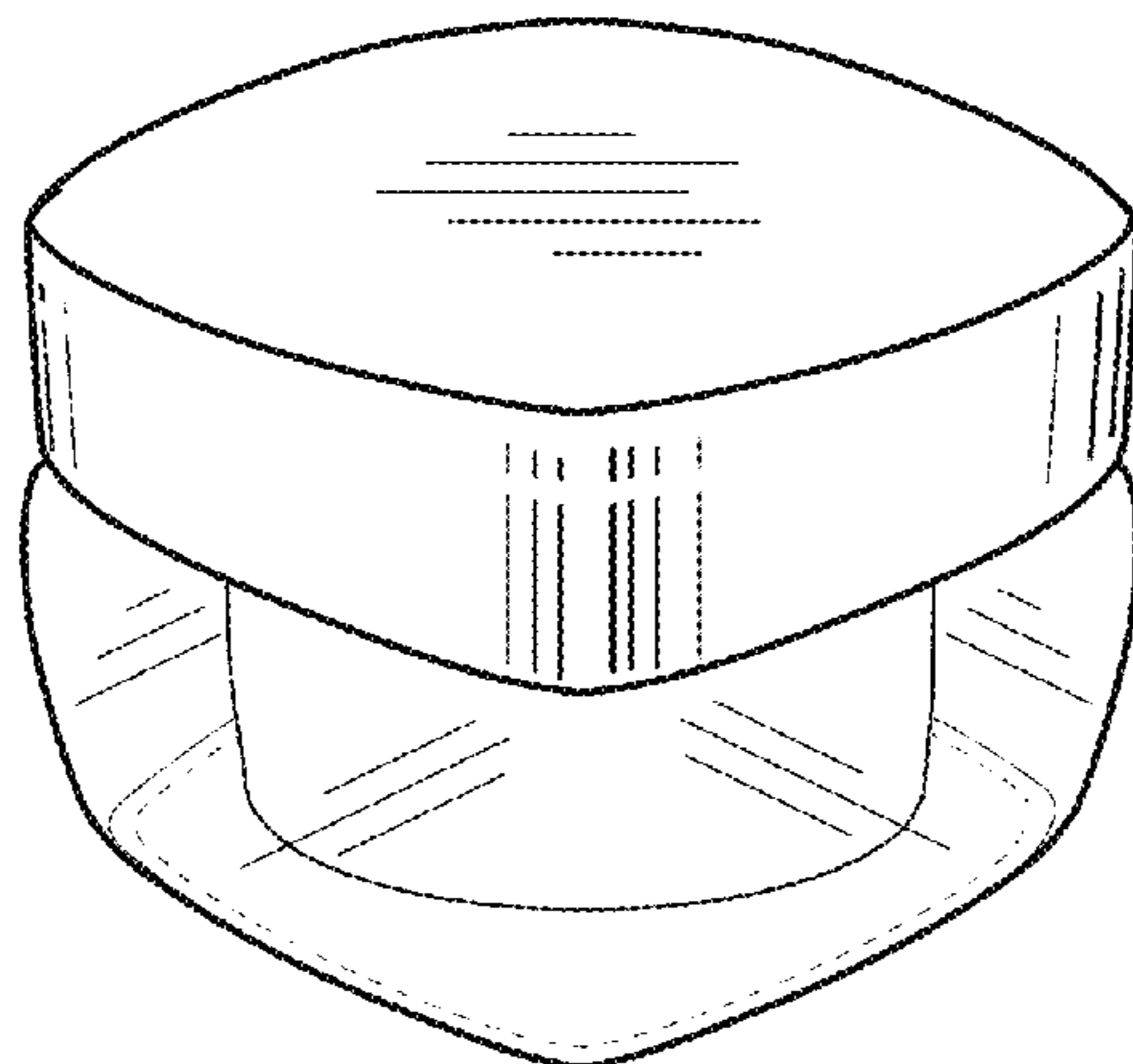
FIG. 2 is a side elevational view of the cosmetic jar, shown in FIG. 1;

FIG. 3 is a top plan view of the cosmetic jar, shown in FIG. 1; and,

FIG. 4 is a bottom plan view of the cosmetic jar, shown in FIG. 1.

The broken lines show a portion of the cosmetic jar that forms no part of the claimed design.

**1 Claim, 2 Drawing Sheets**



(56)

**References Cited**

U.S. PATENT DOCUMENTS

D699,112 S \* 2/2014 Jung ..... D28/76  
D756,226 S \* 5/2016 In ..... D9/504

FOREIGN PATENT DOCUMENTS

CN	302887266	7/2014
EM	002080572-0001	7/2012
EM	002181123-0002	7/2013
EM	002979294-0001	3/2016
JP	D1310507	9/2007
JP	D1444242	6/2012
KR	300446505.0002	4/2007
KR	300453770.0000	6/2007
KR	300514004.0000	12/2008
KR	300547041.0000	12/2009
KR	300742727.0000	5/2014
RU	00092829	4/2015

\* cited by examiner

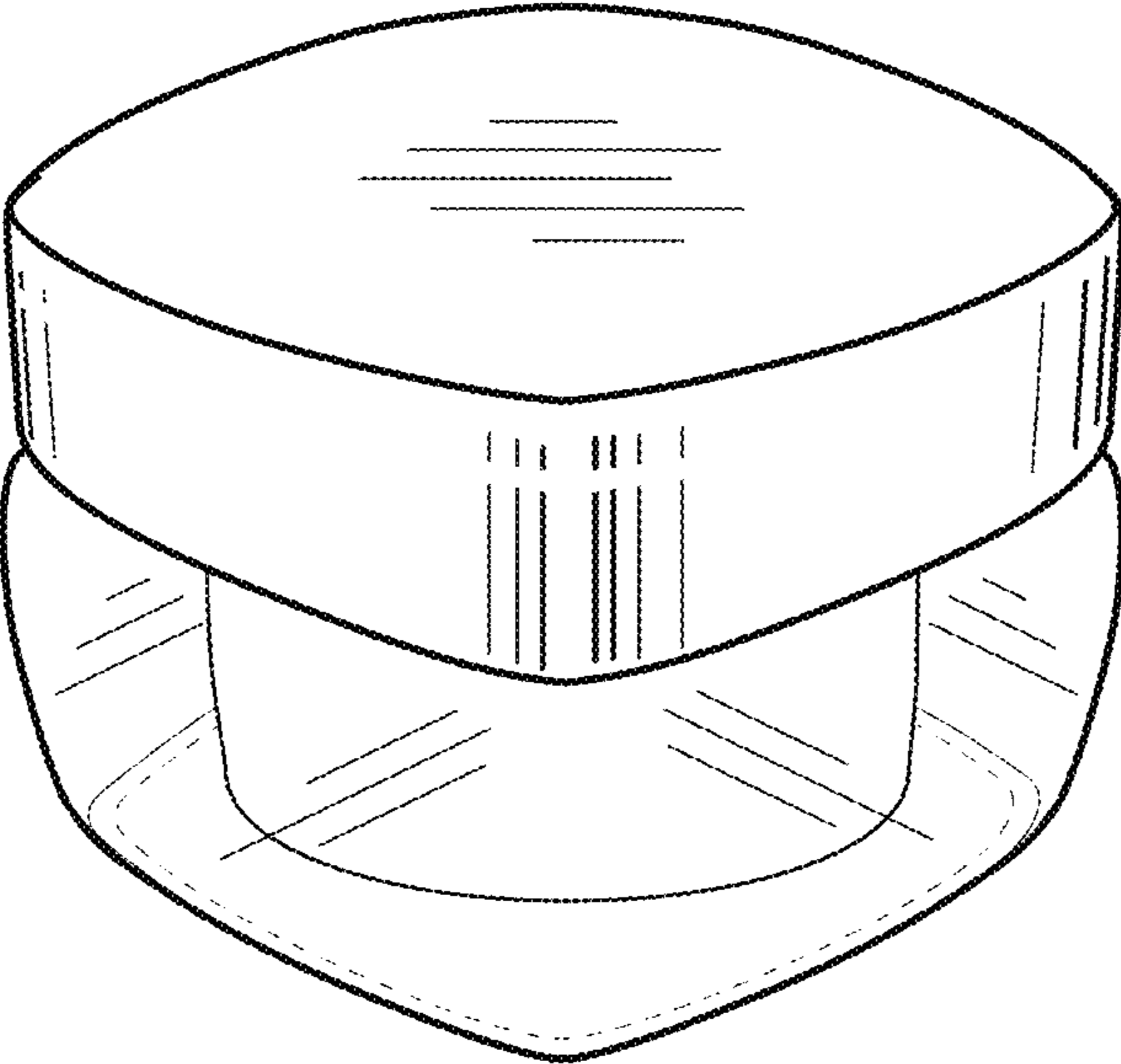


FIG. 1

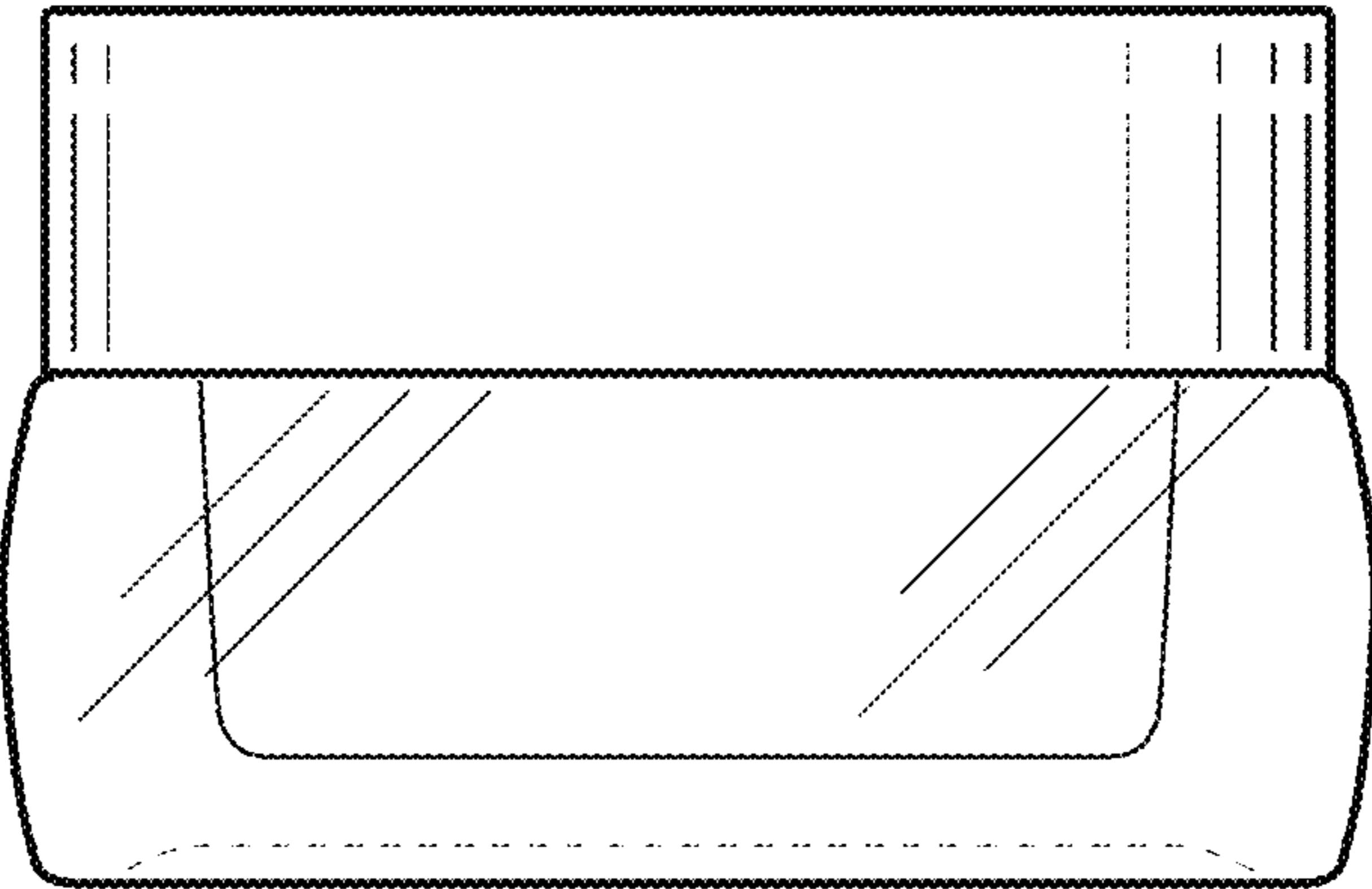


FIG. 2

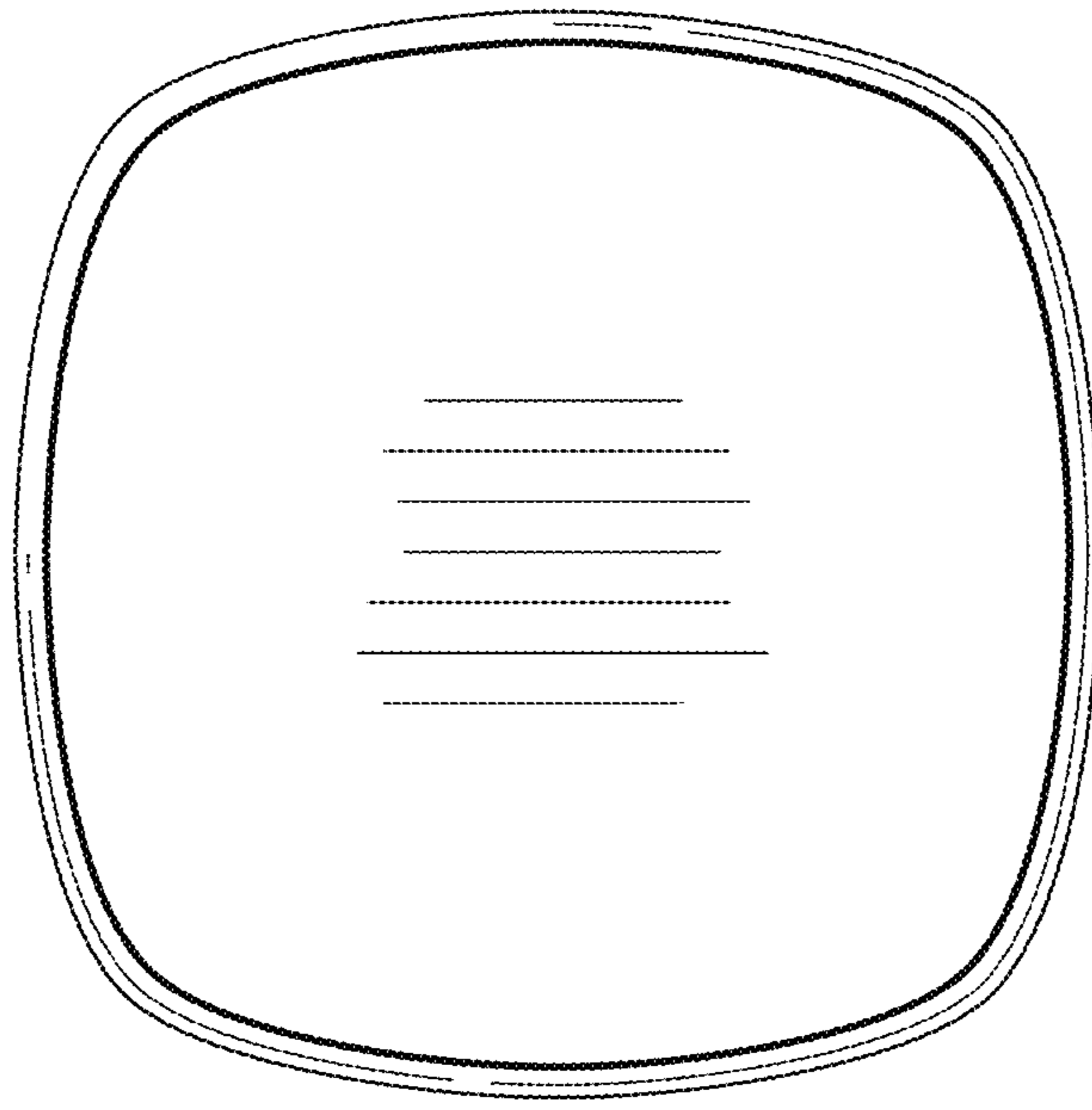


FIG. 3

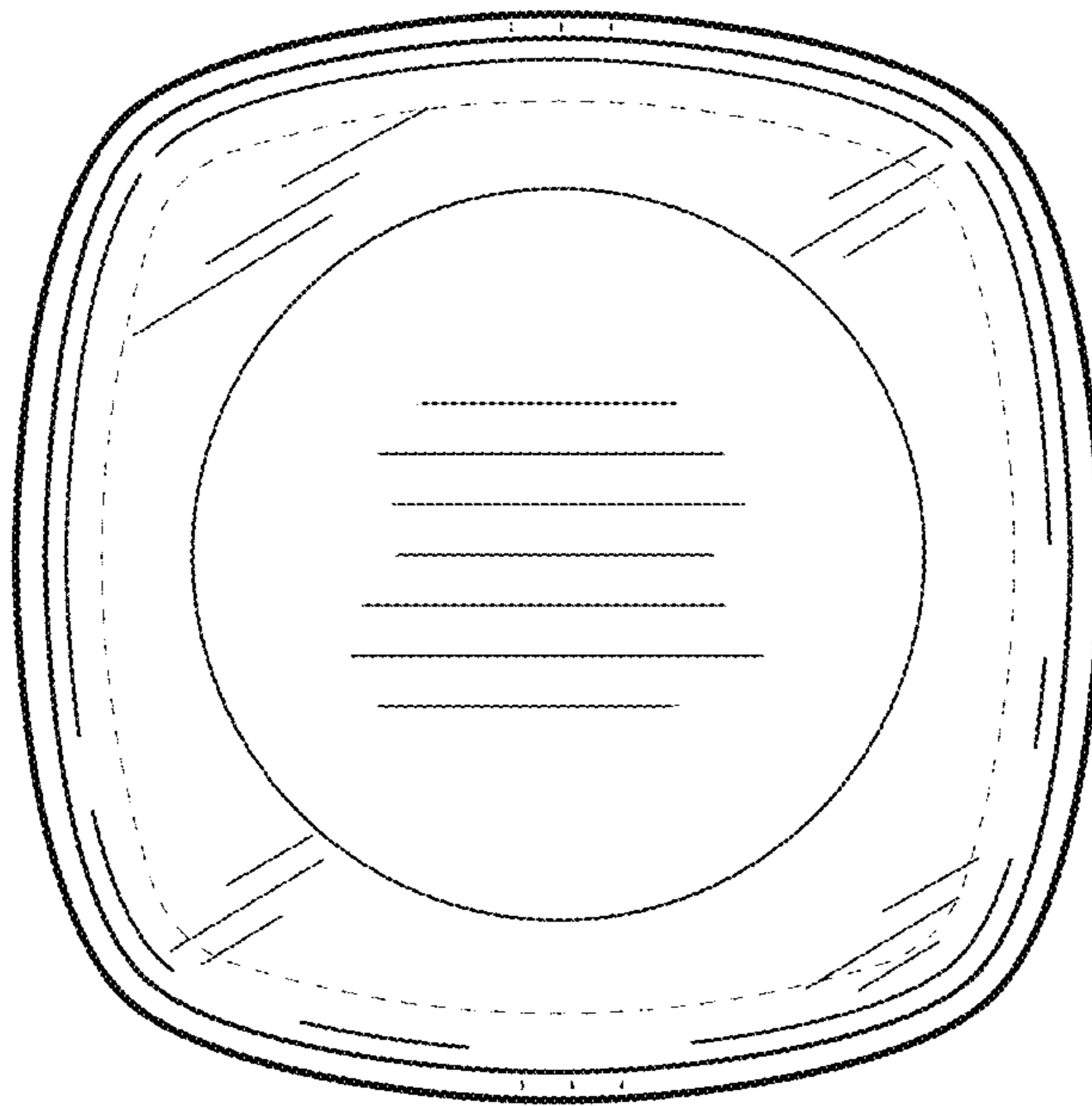


FIG. 4