



US00D821215S

(12) **United States Design Patent**  
**Sawicki et al.**

(10) **Patent No.:** **US D821,215 S**  
(45) **Date of Patent:** **\*\* Jun. 26, 2018**

(54) **BOTTLE**  
(71) Applicant: **TricorBraun Inc.**, St. Louis, MO (US)  
(72) Inventors: **Craig R. Sawicki**, Roselle, IL (US);  
**Samantha Juna**, Carol Stream, IL (US)  
(73) Assignee: **TricorBraun Inc.**, St. Louis, MO (US)  
(\*\*) Term: **15 Years**

D334,344 S \* 3/1993 Reif ..... D9/531  
D387,281 S \* 12/1997 Thompson ..... D9/544  
D419,454 S \* 1/2000 Kokenge ..... D9/544  
D422,509 S \* 4/2000 Luzzi ..... D9/544  
D444,390 S \* 7/2001 Kokenge ..... D9/530  
D527,644 S \* 9/2006 Bakic ..... D9/539  
D527,650 S \* 9/2006 Ross ..... D9/691  
D539,150 S \* 3/2007 Leoncavallo ..... D9/454  
D621,717 S \* 8/2010 Rica ..... D9/574  
D661,593 S \* 6/2012 Heidel ..... D9/516

(Continued)

(21) Appl. No.: **29/564,984**  
(22) Filed: **May 17, 2016**  
(51) **LOC (11) Cl.** ..... **09-01**  
(52) **U.S. Cl.**  
USPC ..... **D9/549**; D9/571

*Primary Examiner* — Anhdao Doan  
*Assistant Examiner* — Mary Malley  
(74) *Attorney, Agent, or Firm* — Husch Blackwell LLP

(58) **Field of Classification Search**  
USPC ..... D9/439, 445–447, 500, 502–505, 509,  
D9/513, 516, 519, 520–522, 529–530,  
D9/536–546, 549–559, 563, 565,  
D9/567–575, 651, 667, 682, 686–692,  
D9/694–695, 699, 724, 729;  
215/381–385, 379, 10; 220/660, 669,  
220/679, 752; 206/510  
CPC ..... B65D 23/00; B65D 23/10; B65D 1/00;  
B65D 1/02; B65D 21/00; B65D 21/02;  
B65D 21/0201; B65D 21/0209; B65D  
21/0233; B65D 21/0234; B65D 21/0237;  
B65D 1/10; B65D 1/40; B65D 1/42;  
B65D 11/04; B65D 2501/0081; B65D  
2101/0053; B65D 1/0223; B65D 25/282;  
B65D 25/2811; B65D 25/2808; B65D  
25/2805; B65D 1/20; B65D 21/0231  
See application file for complete search history.

(57) **CLAIM**

We claim the ornamental design for a bottle, as shown and described.

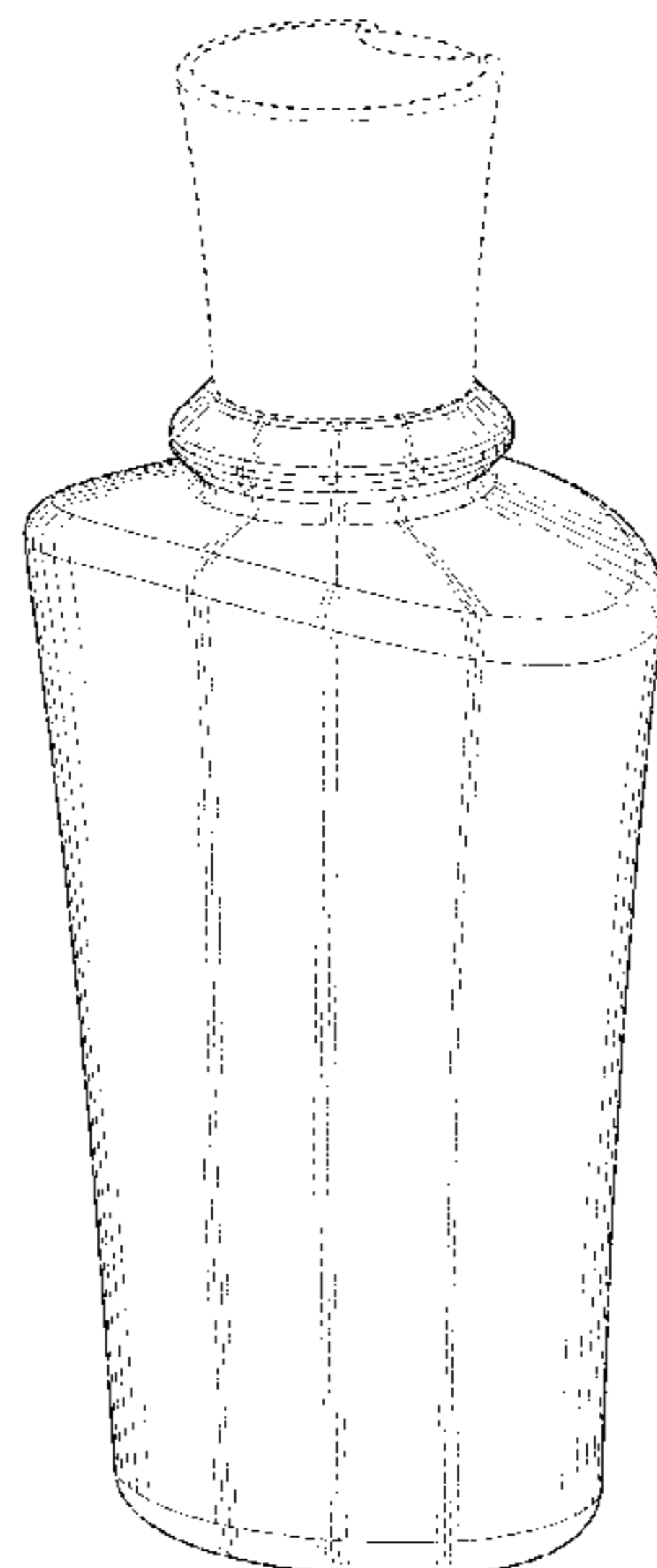
**DESCRIPTION**

FIG. 1 is a top perspective view of a bottle showing the new design;  
FIG. 2 is a left elevation view thereof;  
FIG. 3 is a right elevation view thereof;  
FIG. 4 is a rear elevation view thereof;  
FIG. 5 is a front elevation view thereof;  
FIG. 6 is a top plan view thereof; and  
FIG. 7 is a bottom plan view thereof.  
FIG. 8 is a top perspective view of another embodiment of a bottle showing the new design;  
FIG. 9 is a left elevation view thereof;  
FIG. 10 is a right elevation view thereof;  
FIG. 11 is a front elevation view thereof;  
FIG. 12 is a rear elevation view thereof;  
FIG. 13 is a top plan view thereof; and,  
FIG. 14 is a bottom plan view thereof.  
The broken lines showing the cap represent environmental subject matter that forms no part of the claimed design. All other broken lines show portions of the bottle that form no part of the claimed design.

(56) **References Cited**  
U.S. PATENT DOCUMENTS

D95,965 S \* 6/1935 Kihn ..... D9/541  
D309,423 S \* 7/1990 Alizard ..... D9/529  
D333,619 S \* 3/1993 Lemahieu ..... D9/544

**1 Claim, 10 Drawing Sheets**



(56)

**References Cited**

U.S. PATENT DOCUMENTS

D685,637 S \* 7/2013 Colon ..... D9/500  
D688,132 S \* 8/2013 Reynolds ..... D9/542  
D770,902 S \* 11/2016 Vaughn-Batiz ..... D9/560

\* cited by examiner

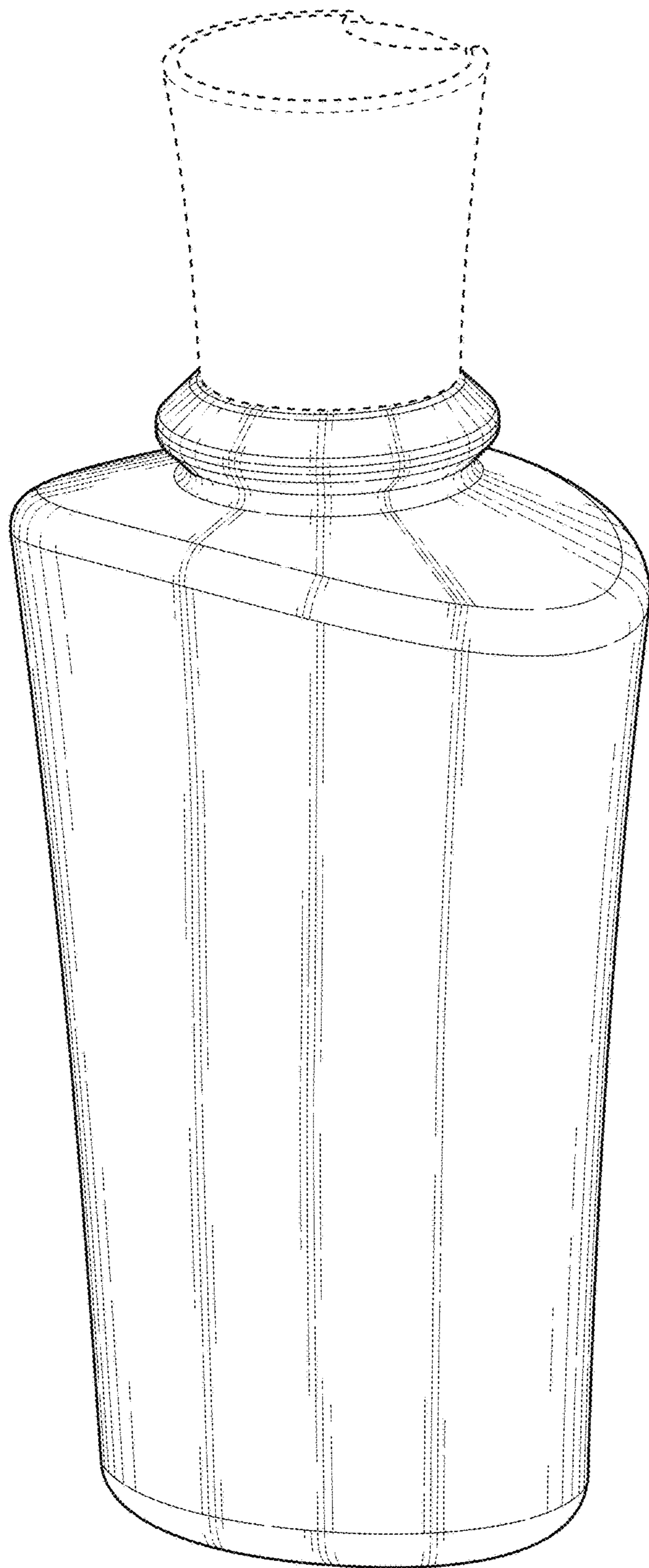


FIG. 1

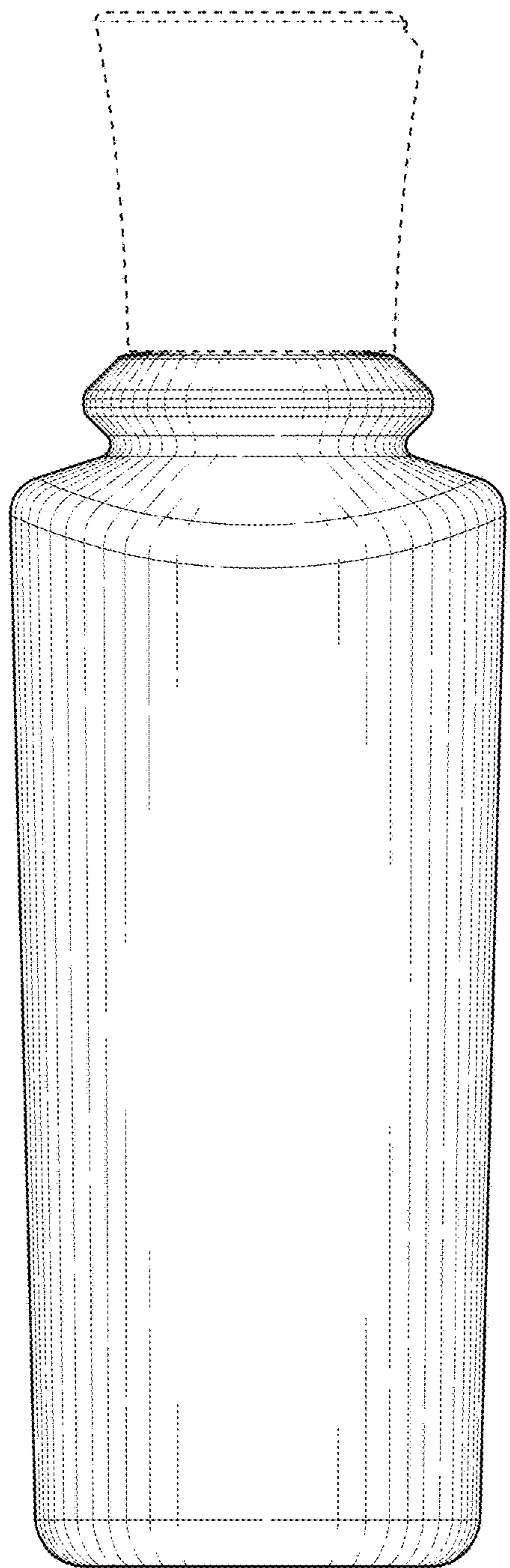


FIG. 2

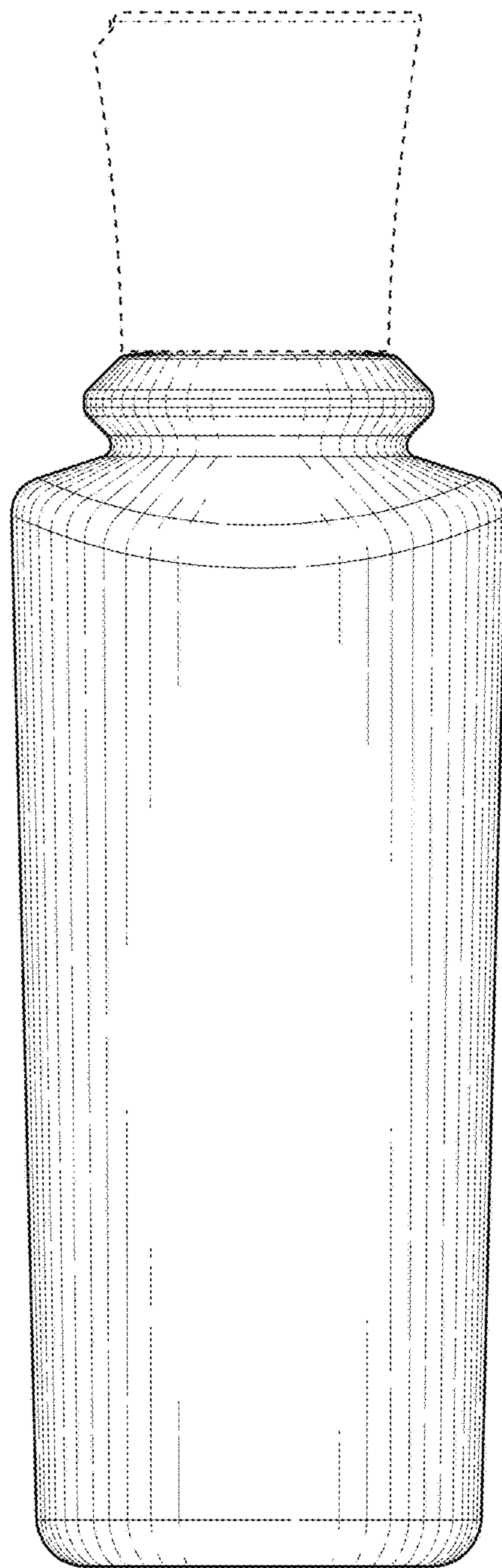


FIG. 3

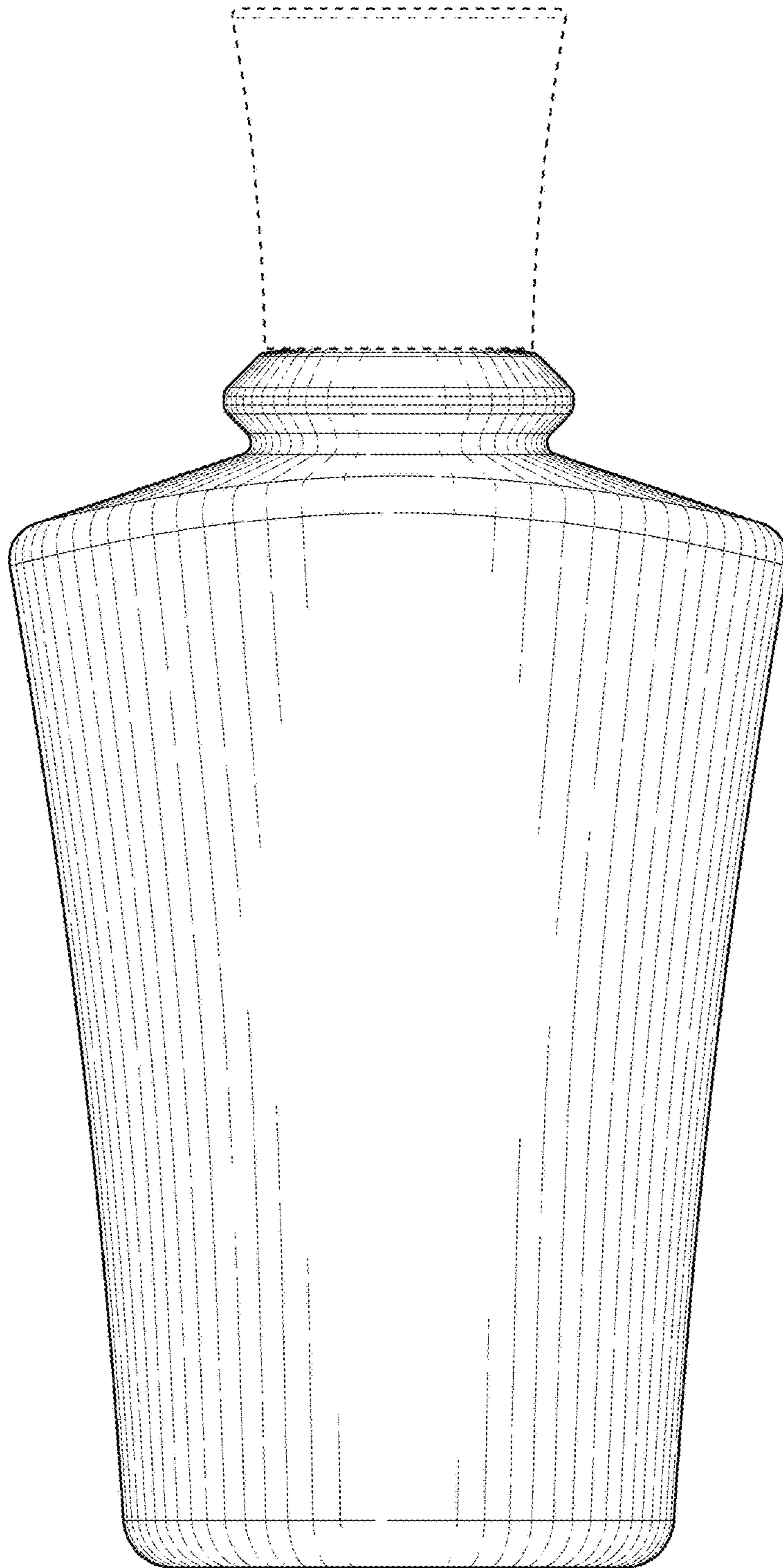


FIG. 4

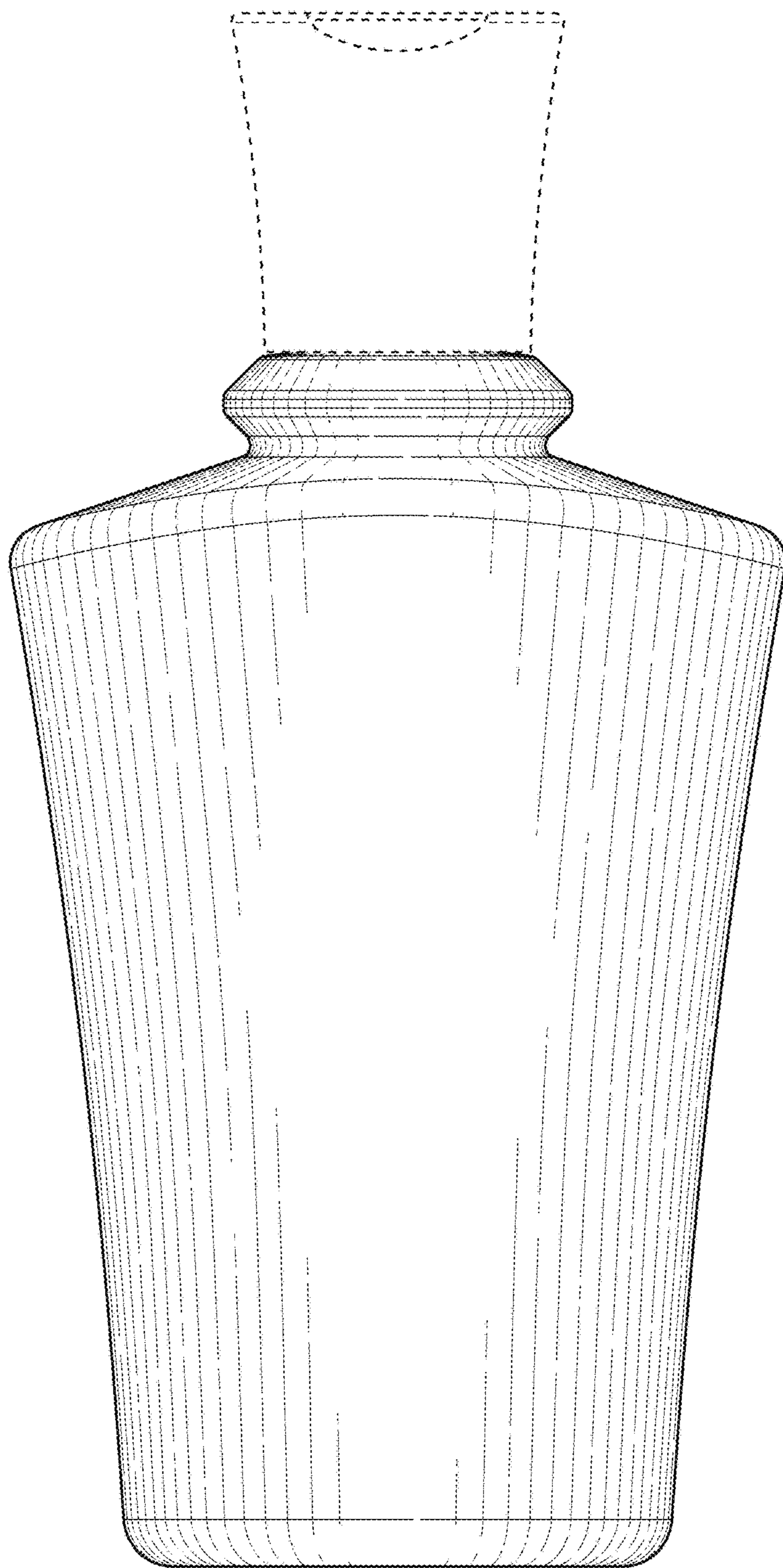


FIG. 5

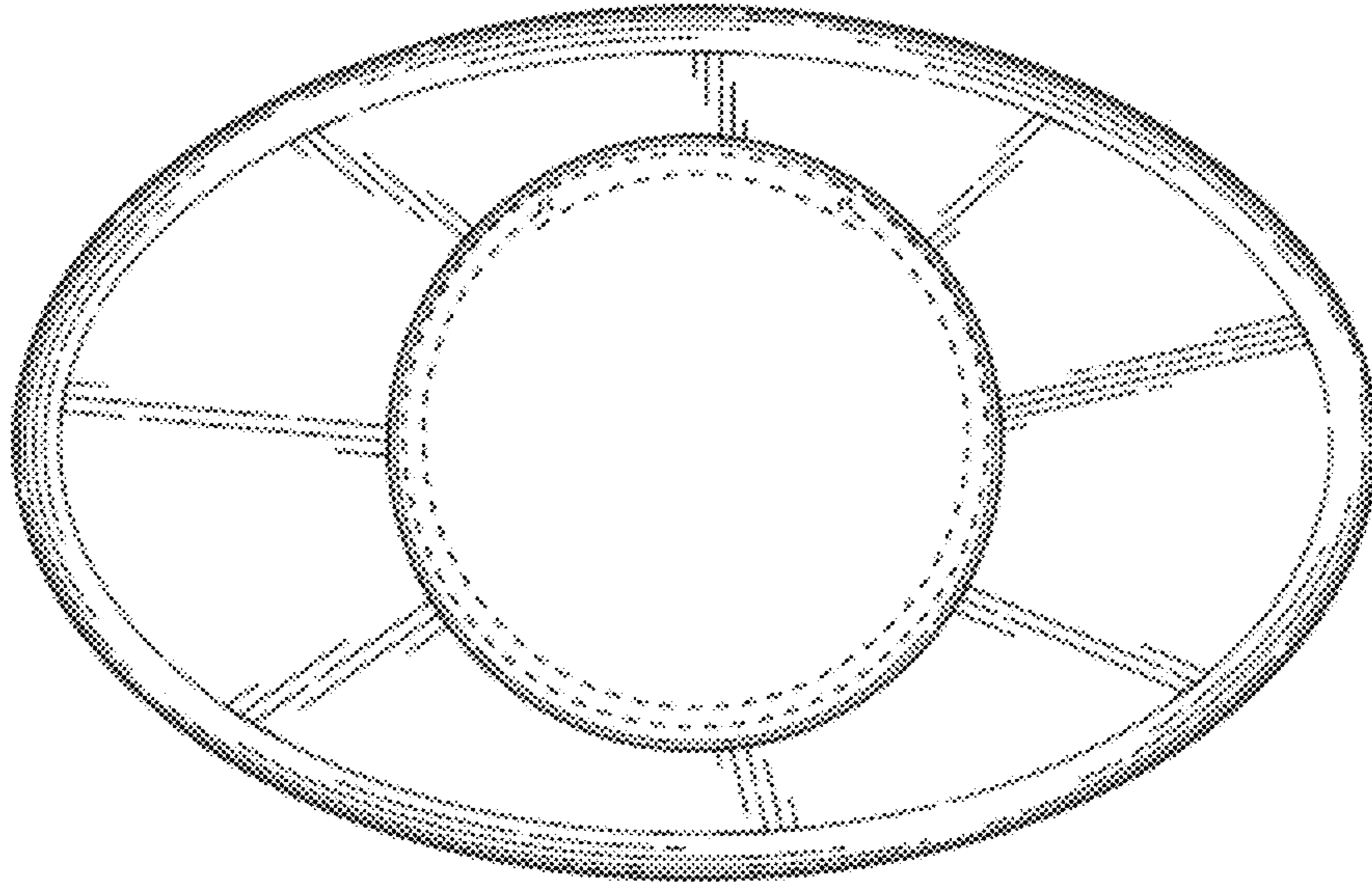


FIG. 6

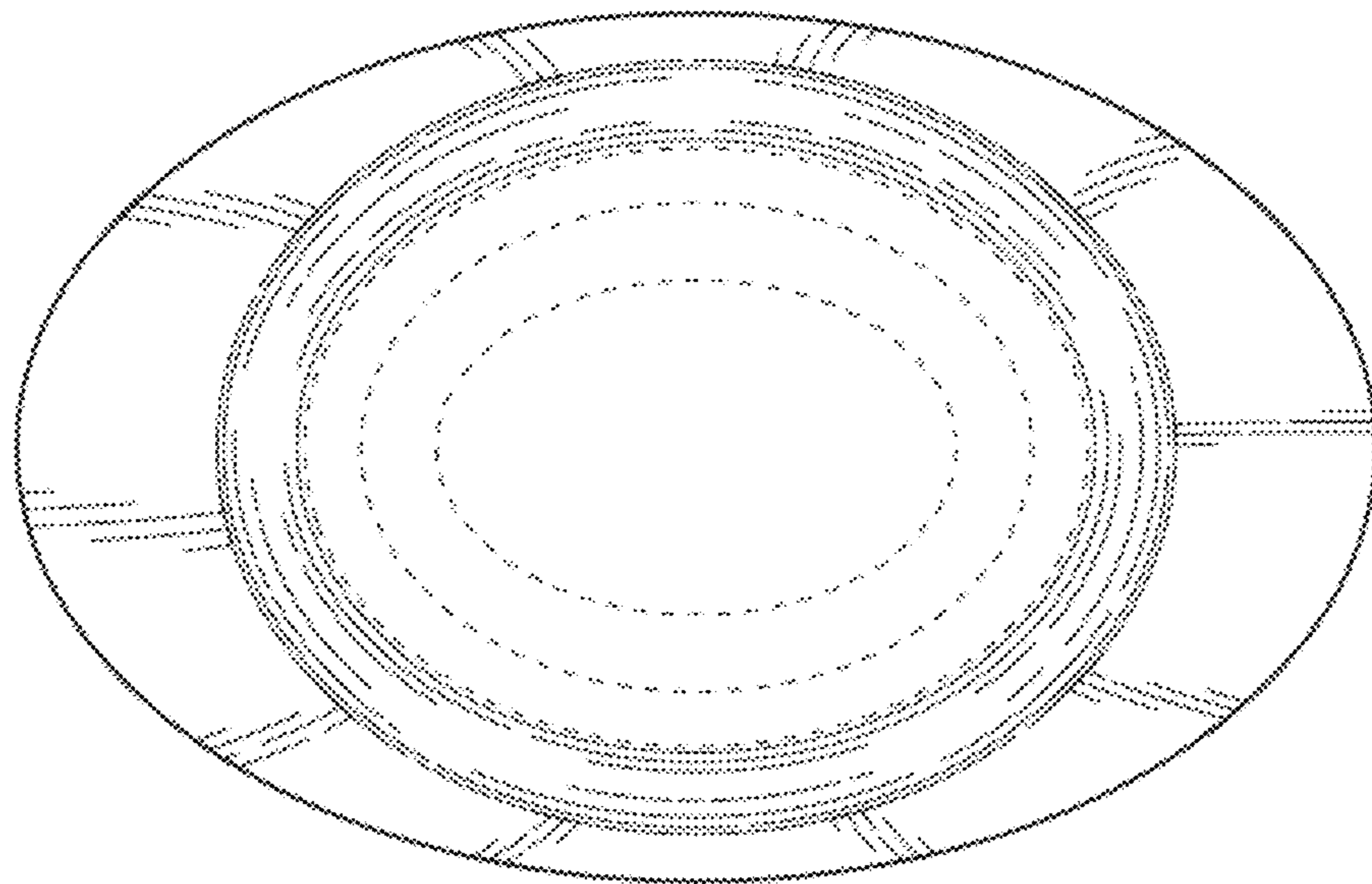


FIG. 7

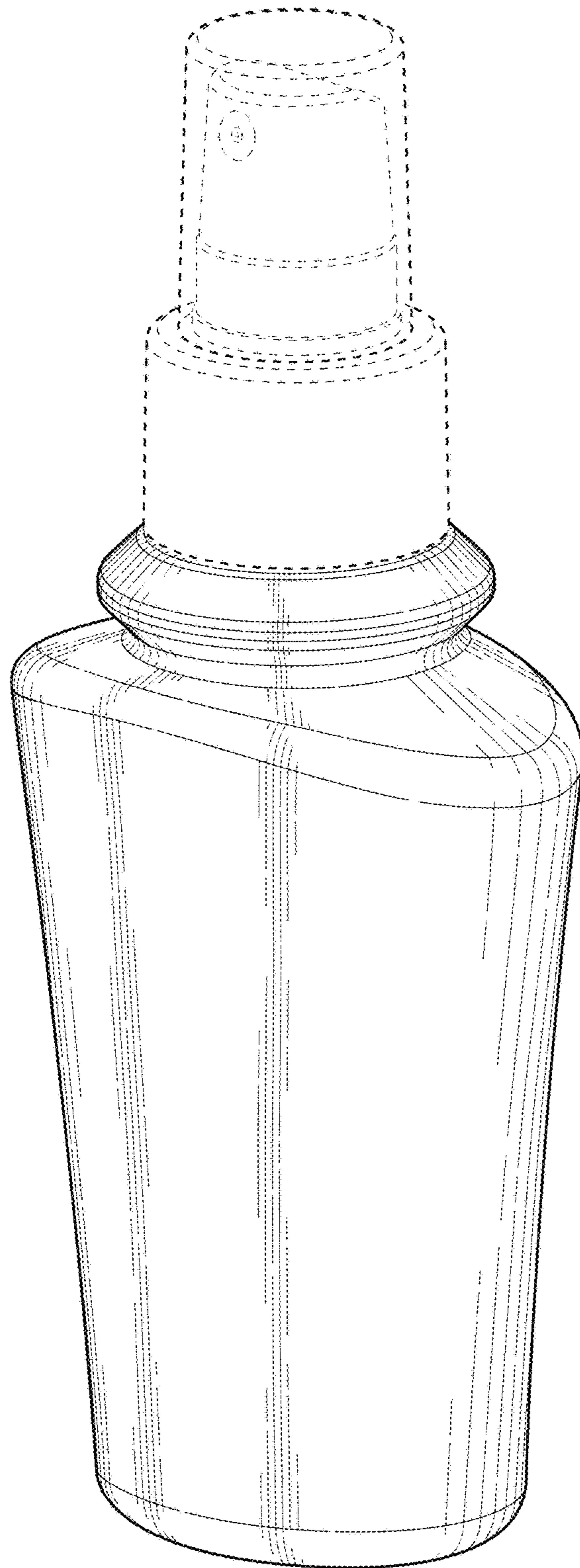


FIG. 8



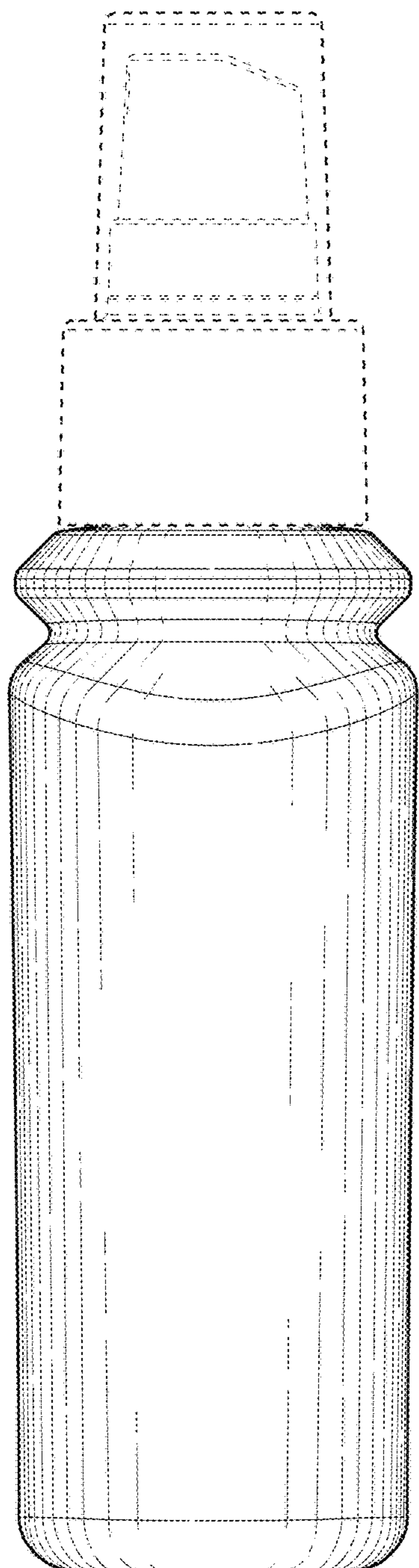


FIG. 9

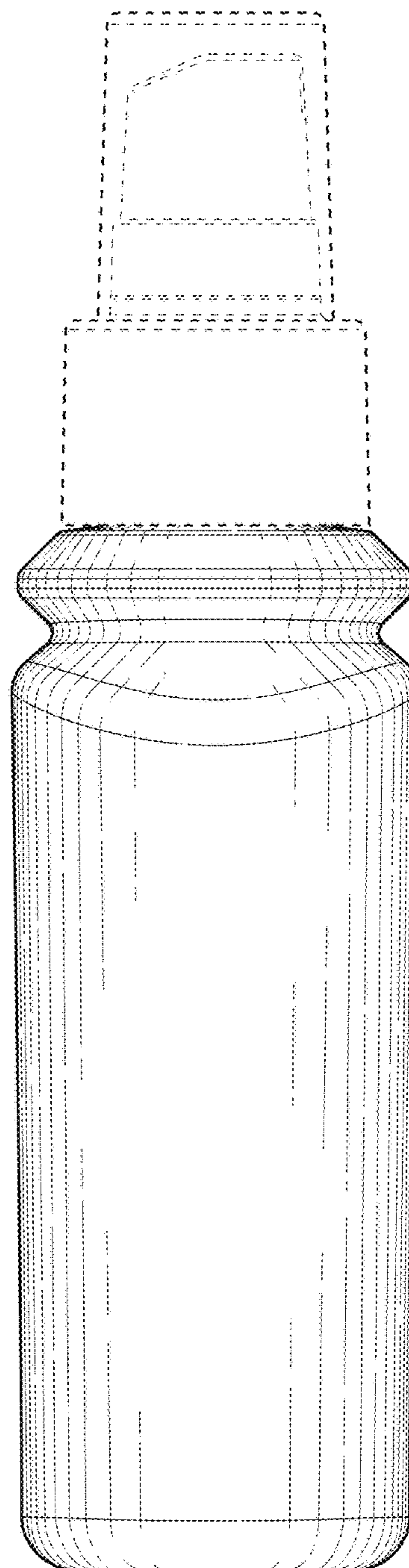


FIG. 10

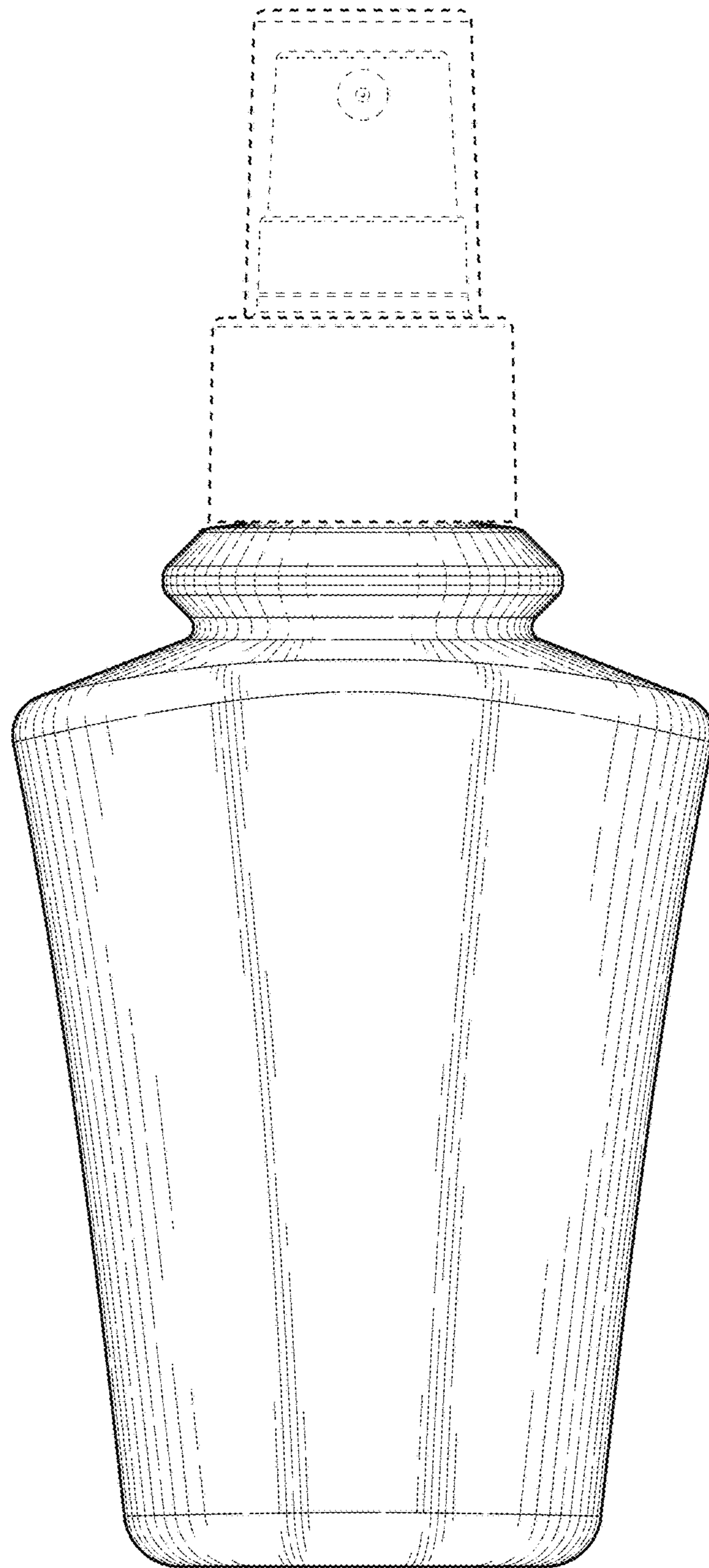


FIG. 11

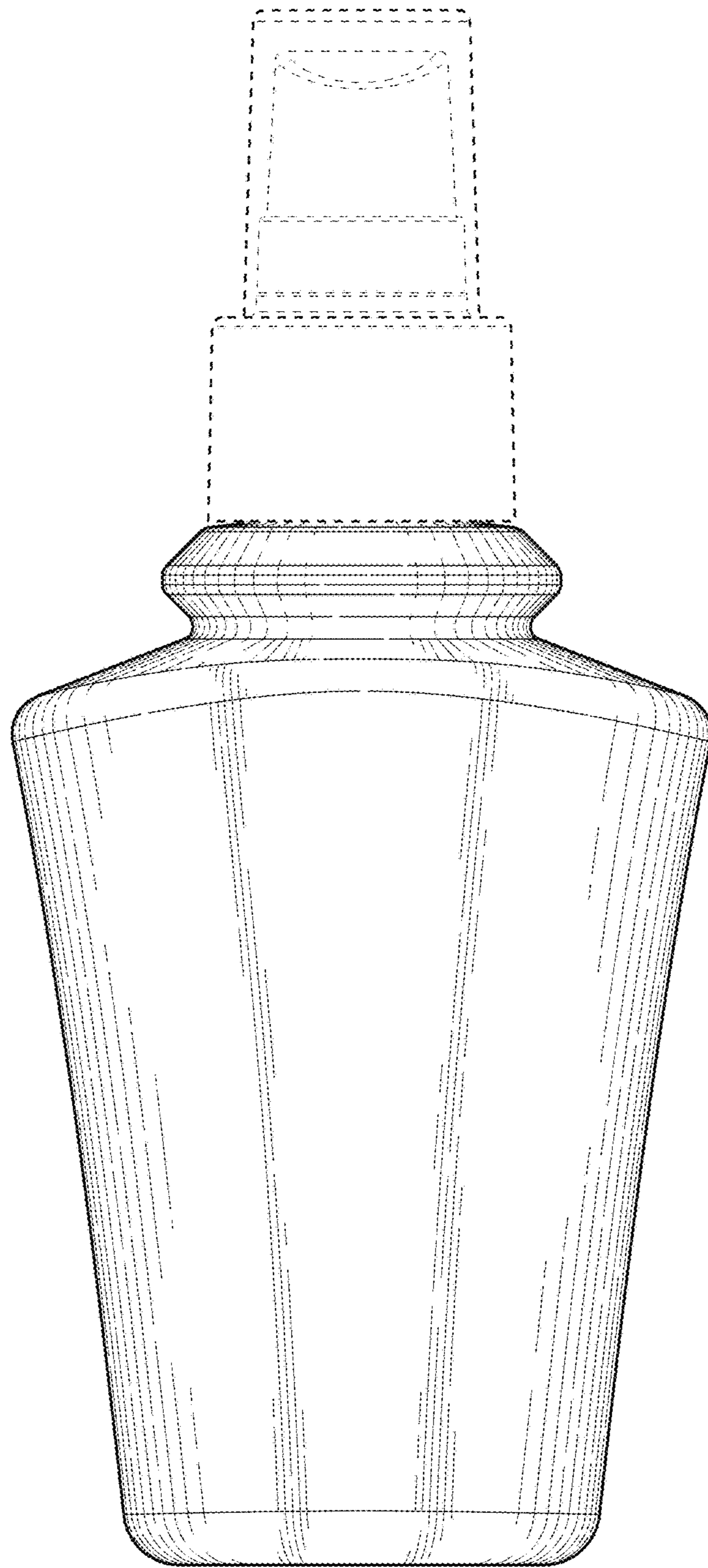


FIG. 12

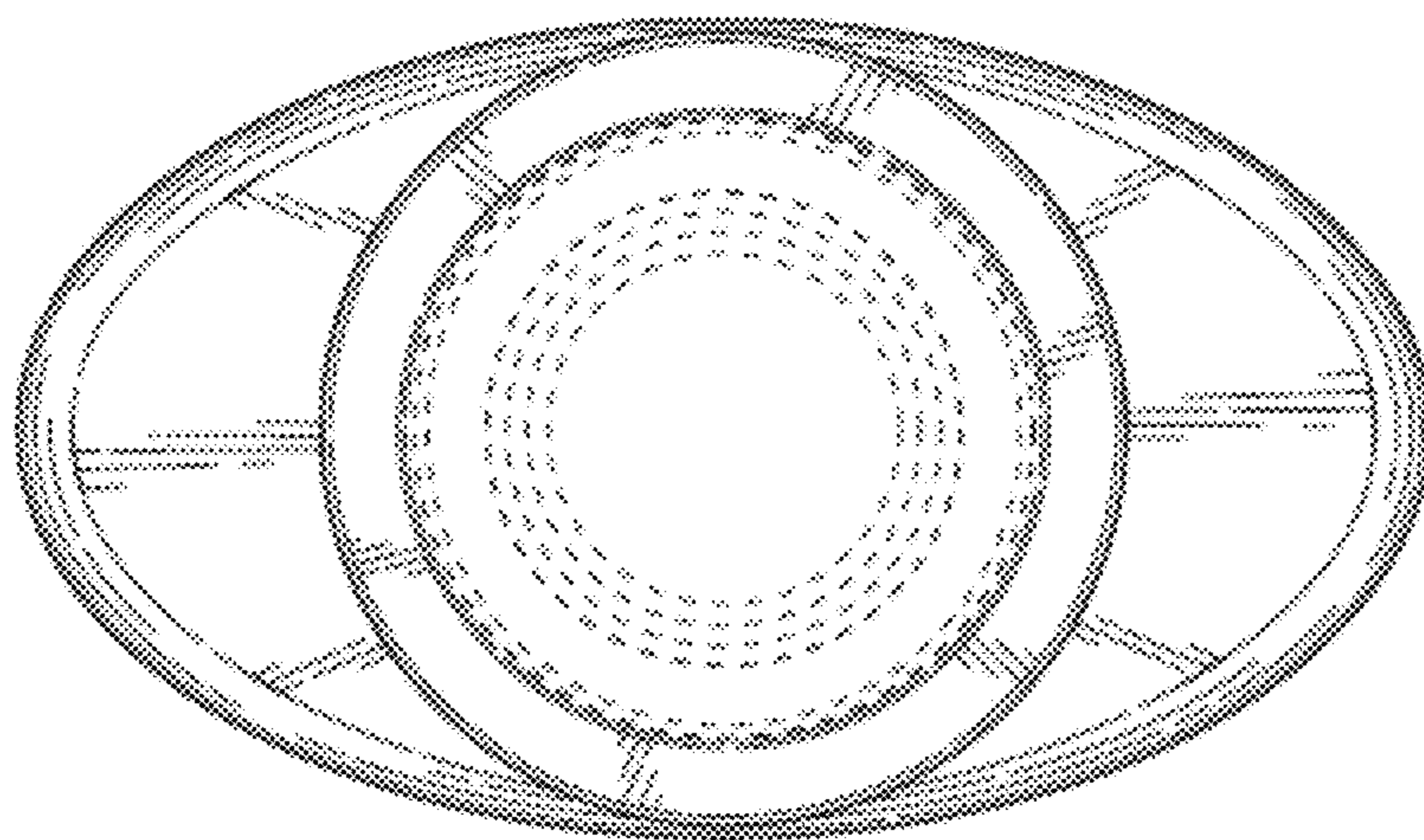


FIG. 13

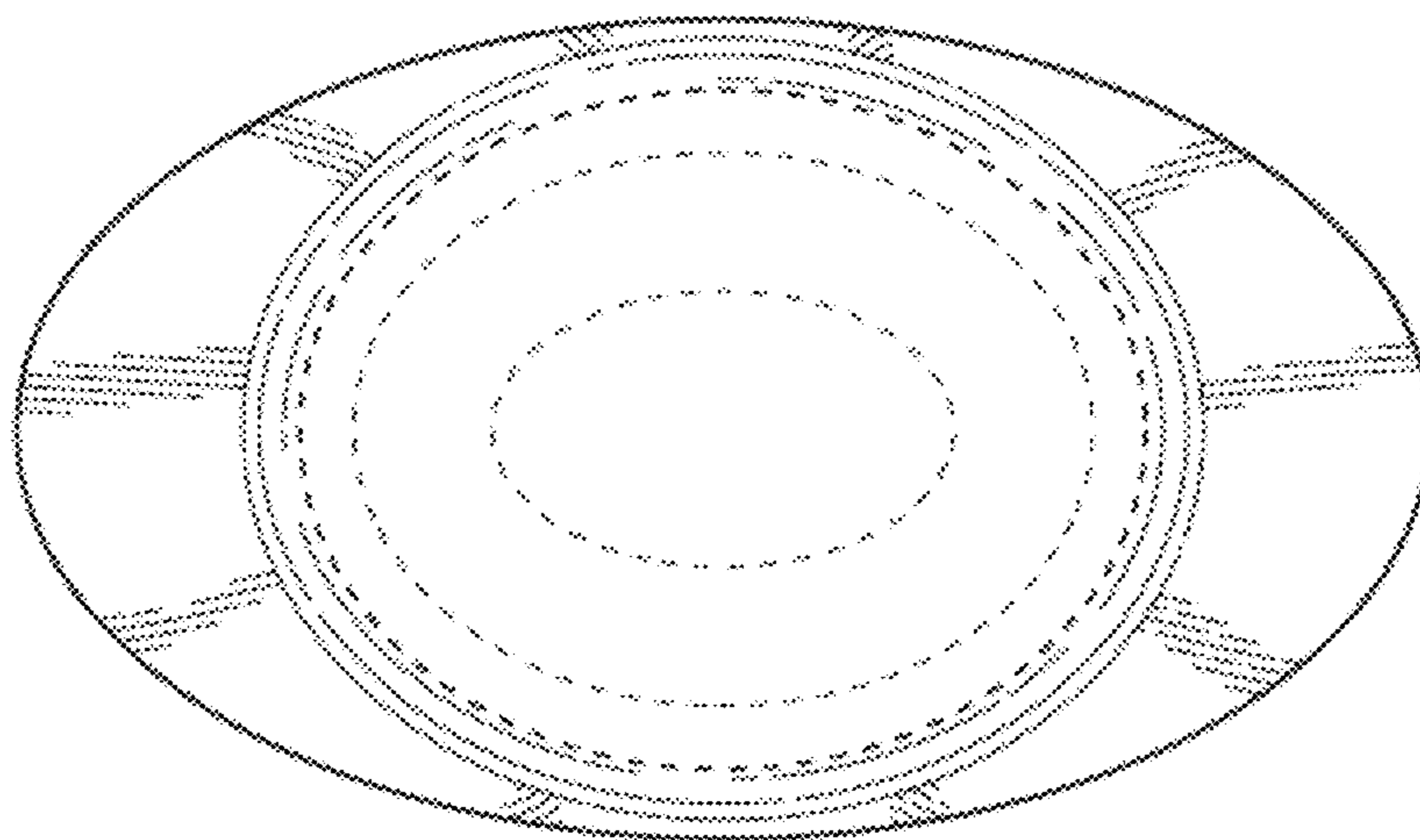


FIG. 14