



US00D821210S

(12) **United States Design Patent** (10) **Patent No.:** **US D821,210 S**
Tsukada (45) **Date of Patent:** **** Jun. 26, 2018**

(54) **PACKAGING CONTAINER**

(56) **References Cited**

(71) Applicant: **JXTG NIPPON OIL & ENERGY CORPORATION**, Tokyo (JP)

U.S. PATENT DOCUMENTS

(72) Inventor: **Yuji Tsukada**, Taipei (TW)

D252,186 S *	6/1979	Moller	D9/527
D307,391 S *	4/1990	Blair	D9/528
D336,433 S *	6/1993	Guislain	D9/435
D486,738 S *	2/2004	Wiper	D9/528
D528,424 S *	9/2006	Archeny	B65D 25/2894 D9/527
D618,551 S *	6/2010	Salotti	D9/523
D626,846 S *	11/2010	Schlies	D9/528
D629,694 S *	12/2010	Heisner	D9/528
D656,028 S *	3/2012	Fleischhacker	D9/516

(73) Assignee: **JXTG NIPPON OIL & ENERGY CORPORATION**, Tokyo (JP)

(**) Term: **15 Years**

* cited by examiner

(21) Appl. No.: **29/606,186**

Primary Examiner — Derrick E Holland
Assistant Examiner — Janice Julia Patyk
(74) *Attorney, Agent, or Firm* — Andrew F. Young, Esq.;
Lackenbach Siegel, LLP

(22) Filed: **Jun. 2, 2017**

(30) **Foreign Application Priority Data**

Dec. 2, 2016 (CN) 2016 3 0590057

(51) **LOC (11) Cl.** **09-03**

(52) **U.S. Cl.**
USPC **D9/528**

(57) **CLAIM**

The ornamental design for a packaging container, as shown and described.

(58) **Field of Classification Search**

USPC D9/522, 528, 530, 531, 534, 543, 549,
D9/558, 564, 565, 569, 572, 573;
215/40, 44, 200, 381-384, 396; 220/288,
220/662, 669, 675, 752, 755, 771;
222/182, 209; 426/115
CPC B65D 1/02; B65D 1/0223; B65D 1/0246;
B65D 5/46; B65D 41/00; B65D 41/02;
B65D 41/04; B65D 2501/00; B65D
2501/0009

DESCRIPTION

FIG. 1 is a perspective view of a packaging container, showing my new design.
FIG. 2 is another perspective view thereof.
FIG. 3 is a front elevational view thereof, the rear elevational view being a mirror image thereof.
FIG. 4 is a left side elevational view thereof.
FIG. 5 is a right side elevational view thereof.
FIG. 6 is a top plan view thereof; and,
FIG. 7 is a bottom plan view thereof.

See application file for complete search history.

1 Claim, 5 Drawing Sheets

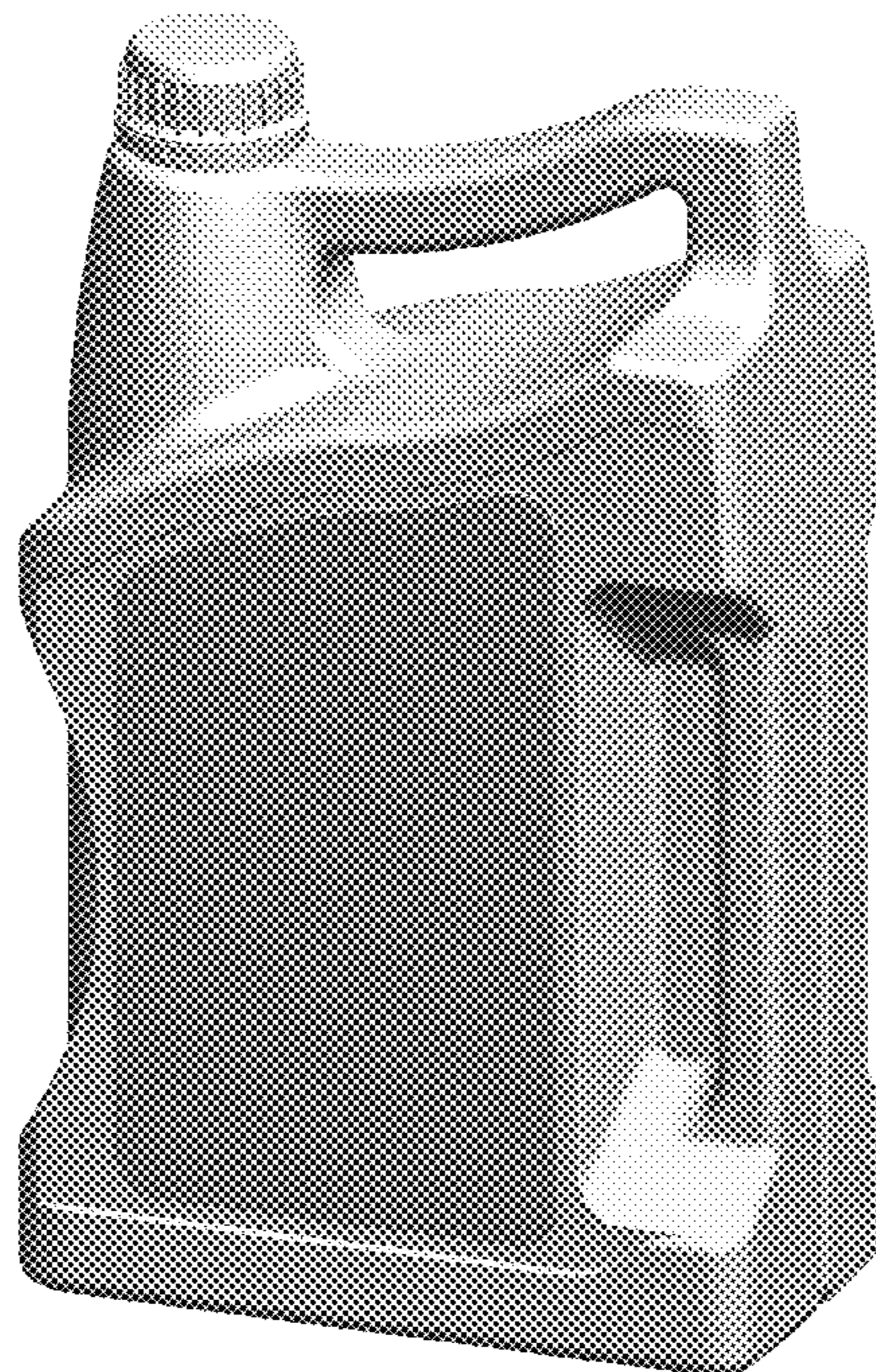


FIG. 1

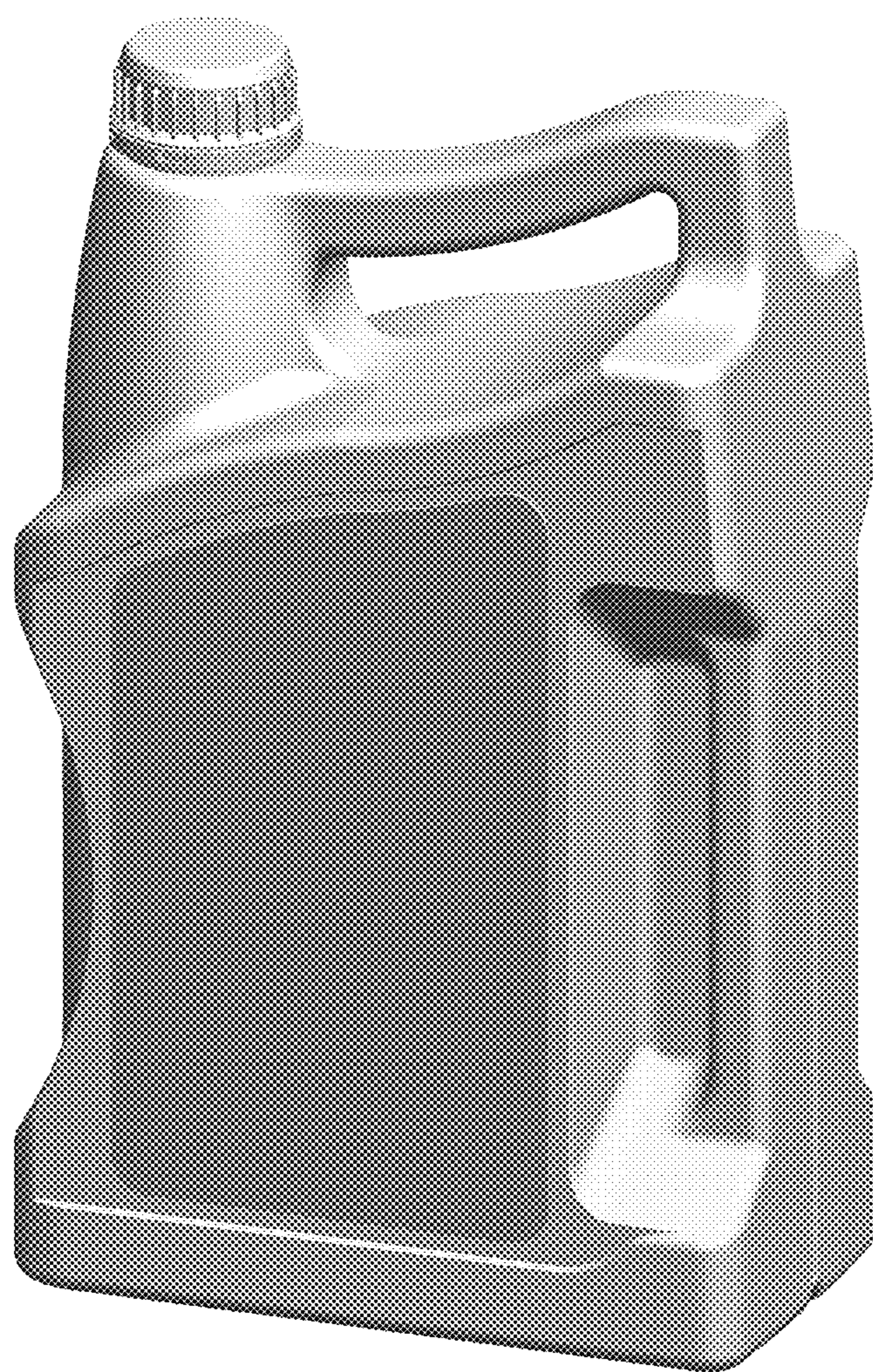


FIG. 2

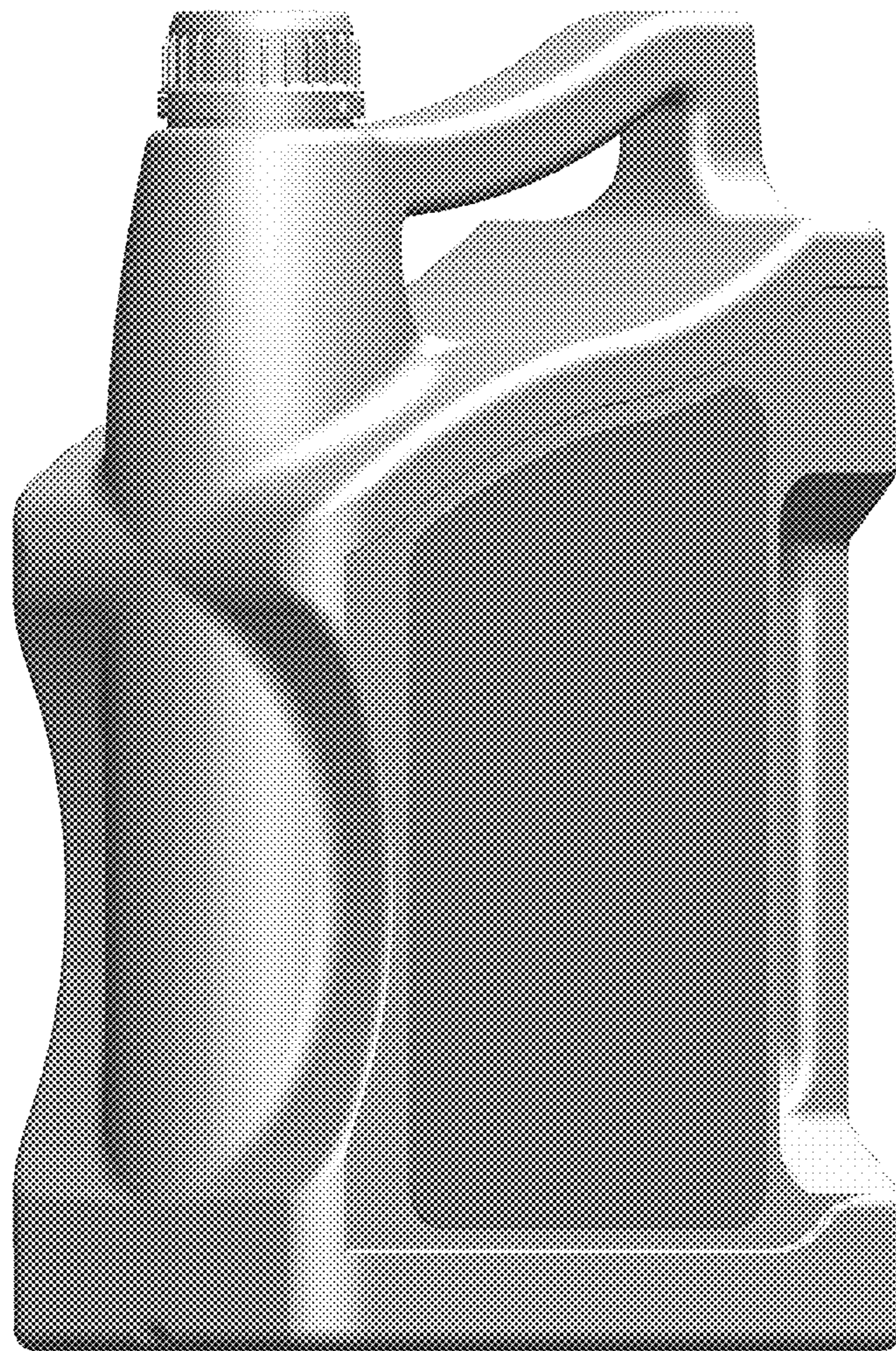


FIG. 3



FIG. 4

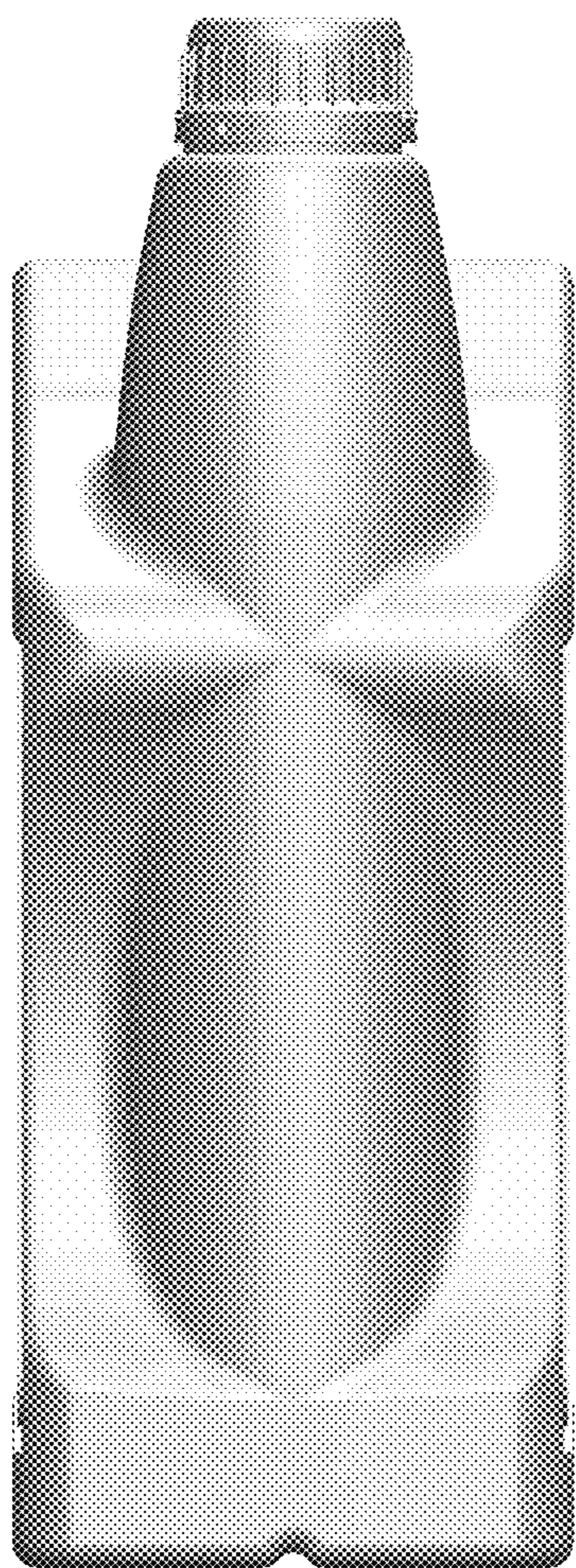


FIG. 5

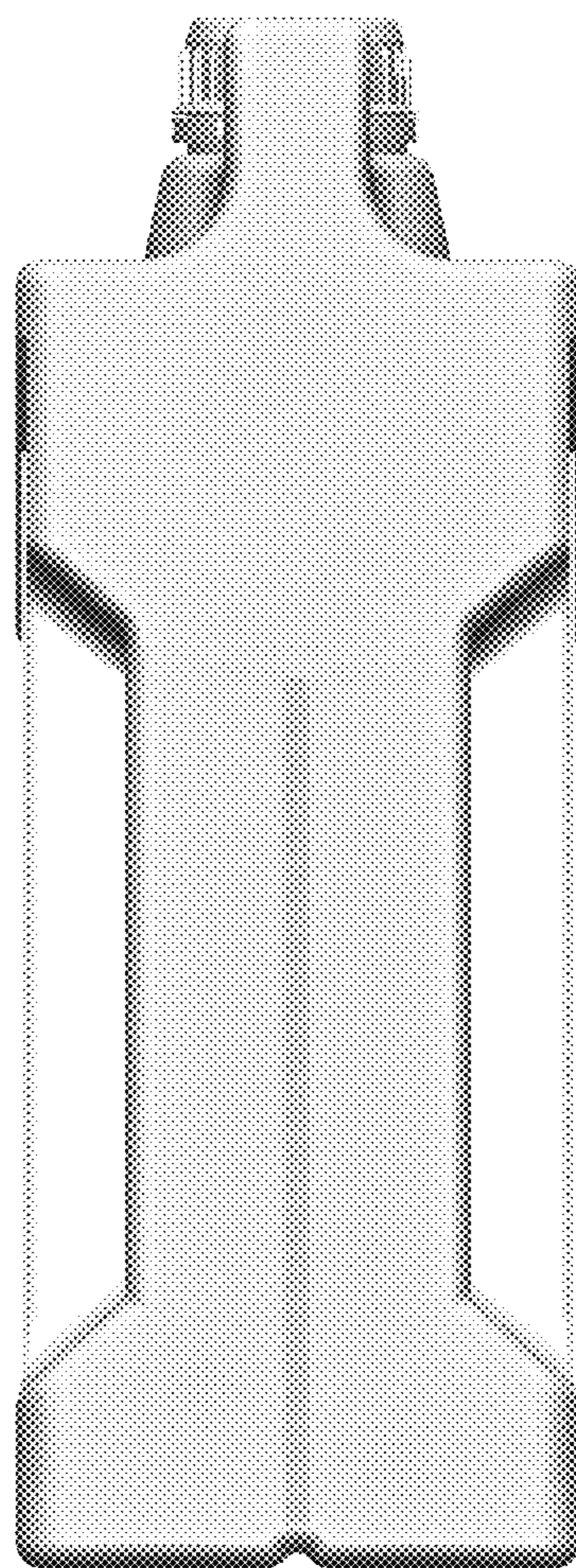


FIG. 6

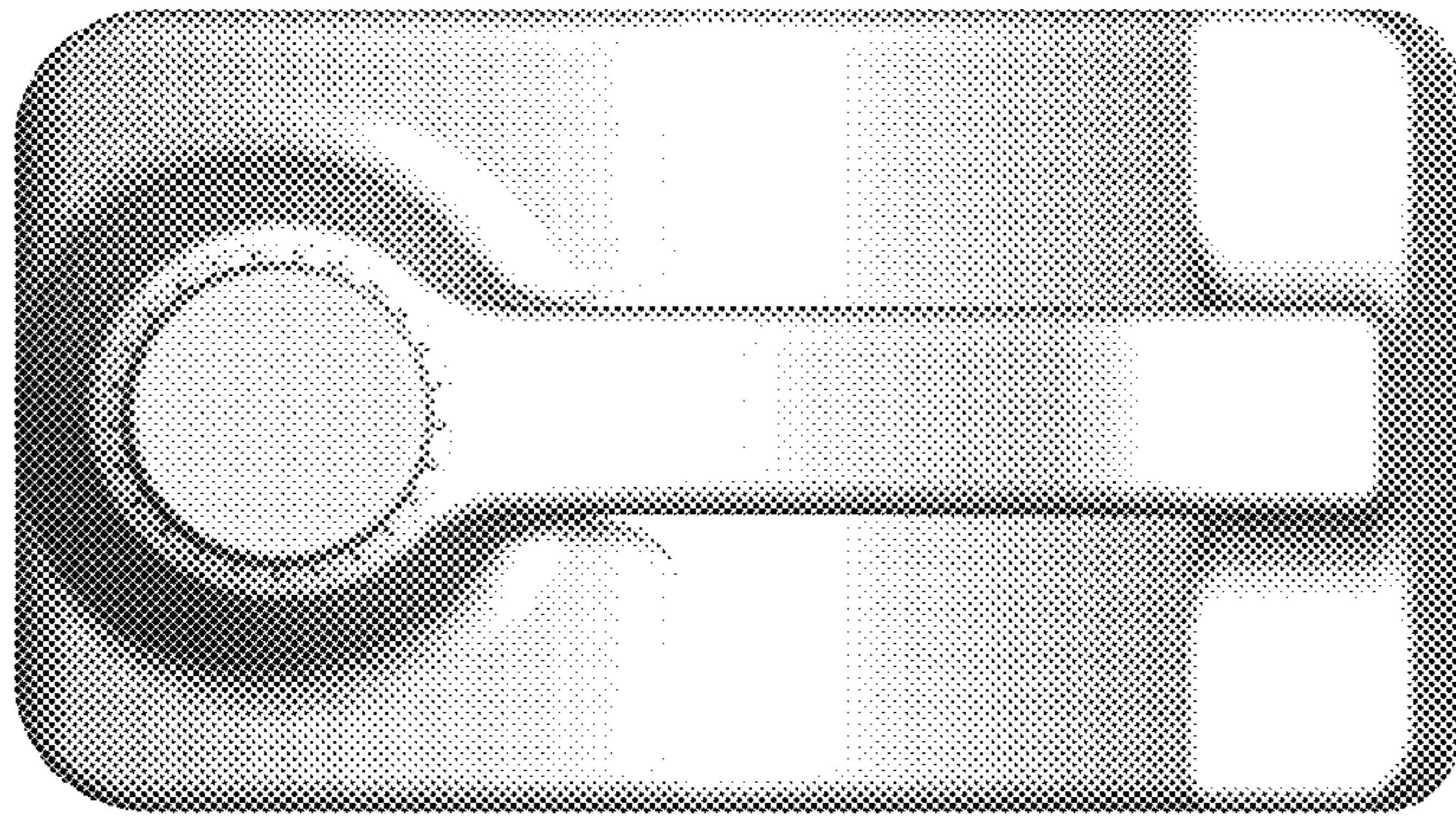


FIG. 7

