



US00D821209S

(12) **United States Design Patent**
Moreau

(10) **Patent No.:** **US D821,209 S**
(45) **Date of Patent:** **** Jun. 26, 2018**

(54) **DOSING BOTTLE**

(71) Applicant: **Bayer CropScience AG**, Monheim
(DE)
(72) Inventor: **Fabrice Moreau**, Tassin la Demi Lune
(FR)
(73) Assignee: **Bayer CropScience AG**, Monheim
(DE)
(**) Term: **15 Years**

(21) Appl. No.: **29/558,762**
(22) Filed: **Mar. 21, 2016**

Related U.S. Application Data

(62) Division of application No. 29/435,382, filed on Oct. 23, 2012, now Pat. No. Des. 751,912.

(30) **Foreign Application Priority Data**

Apr. 26, 2012 (EM) 002033670-001
Apr. 26, 2012 (EM) 002033670-002
Apr. 26, 2012 (EM) 002033670-003
Apr. 26, 2012 (EM) 002033670-004

(51) **LOC (11) Cl.** **09-01**

(52) **U.S. Cl.**
USPC **D9/523**

(58) **Field of Classification Search**

USPC D7/300, 302, 305, 317, 318, 321, 387,
D7/397, 398, 500, 505, 538, 543, 560,
D7/566, 589; D9/414, 417, 430, 432,
D9/434, 435, 440, 443, 447, 448, 449,
D9/516, 523, 527, 528, 530, 563, 682,
D9/683, 686, 687, 693, 694, 715, 719,
D9/730, 738, 742, 753; D28/91.1;
215/379, 381; 220/660; 222/158, 372,
222/373, 383.1, 386, 401-402.25, 454
CPC G01F 11/26; G01F 11/262; G01F 11/263;
B67D 7/56

See application file for complete search history.

(56) **References Cited**

U.S. PATENT DOCUMENTS

D168,739 S * 2/1953 Frydlender D28/91.1
D308,825 S * 6/1990 Hoyt D9/523
5,115,946 A * 5/1992 Libit B05B 11/04
222/145.7
6,290,102 B1 * 9/2001 Jennings G01F 11/262
222/158
D512,648 S * 12/2005 Smith D9/702
D579,343 S * 10/2008 Calvo D9/694

(Continued)

OTHER PUBLICATIONS

<http://www.bayergarden.co.uk/Discontinued-Products/p/Provado-Ultimate-Bug-Killer-Concentrate2> Retrieved Jun. 20, 2017.*

(Continued)

Primary Examiner — Susan Bennett Hattan
Assistant Examiner — Leanne Was-Englehart
(74) *Attorney, Agent, or Firm* — Jerkins, Wilson, Taylor & Hunt, P.A.

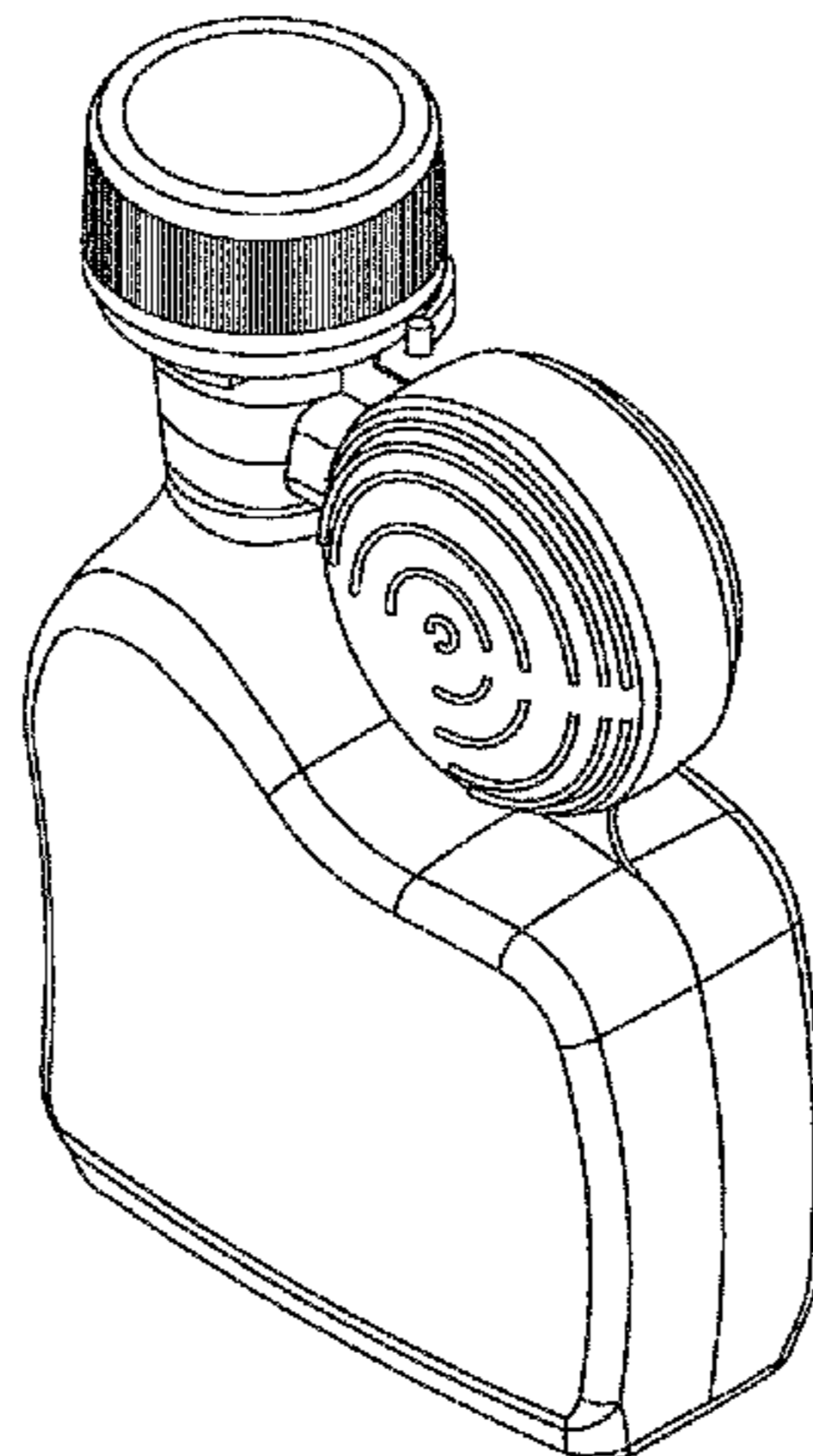
(57) **CLAIM**

The ornamental design for a dosing bottle, as shown and described.

DESCRIPTION

FIG. 1 is a perspective view of a dosing bottle;
FIG. 2 is a left side view of the dosing bottle of FIG. 1;
FIG. 3 is a right side view of the dosing bottle of FIG. 1;
FIG. 4 is a front view of the dosing bottle of FIG. 1;
FIG. 5 is a rear view of the dosing bottle of FIG. 1;
FIG. 6 is a top view of the dosing bottle of FIG. 1; and,
FIG. 7 is a bottom view of the dosing bottle of FIG. 1.
The broken lines in FIG. 7 depict portions of the dosing bottle that do not form part of the claimed design.

1 Claim, 6 Drawing Sheets



(56)

References Cited

U.S. PATENT DOCUMENTS

D614,037	S *	4/2010	Bacs	D9/528
D646,974	S *	10/2011	Latour	D9/452
9,261,394	B2 *	2/2016	Moreau	G01F 11/262
D751,912	S *	3/2016	Moreau	D9/523
9,410,836	B2 *	8/2016	Moreau	G01F 11/263
2015/0060498	A1 *	3/2015	Moreau	G01F 11/263 222/454
2015/0083753	A1 *	3/2015	Moreau	G01F 11/262 222/158

OTHER PUBLICATIONS

Restriction Requirement for U.S. Appl. No. 29/435,382 dated Mar. 23, 2015.

Non-Final Office Action for U.S. Appl. No. 29/435,382 dated Jul. 7, 2015.

Notice of Allowance for U.S. Appl. No. 29/435,382 dated Nov. 5, 2015.

* cited by examiner

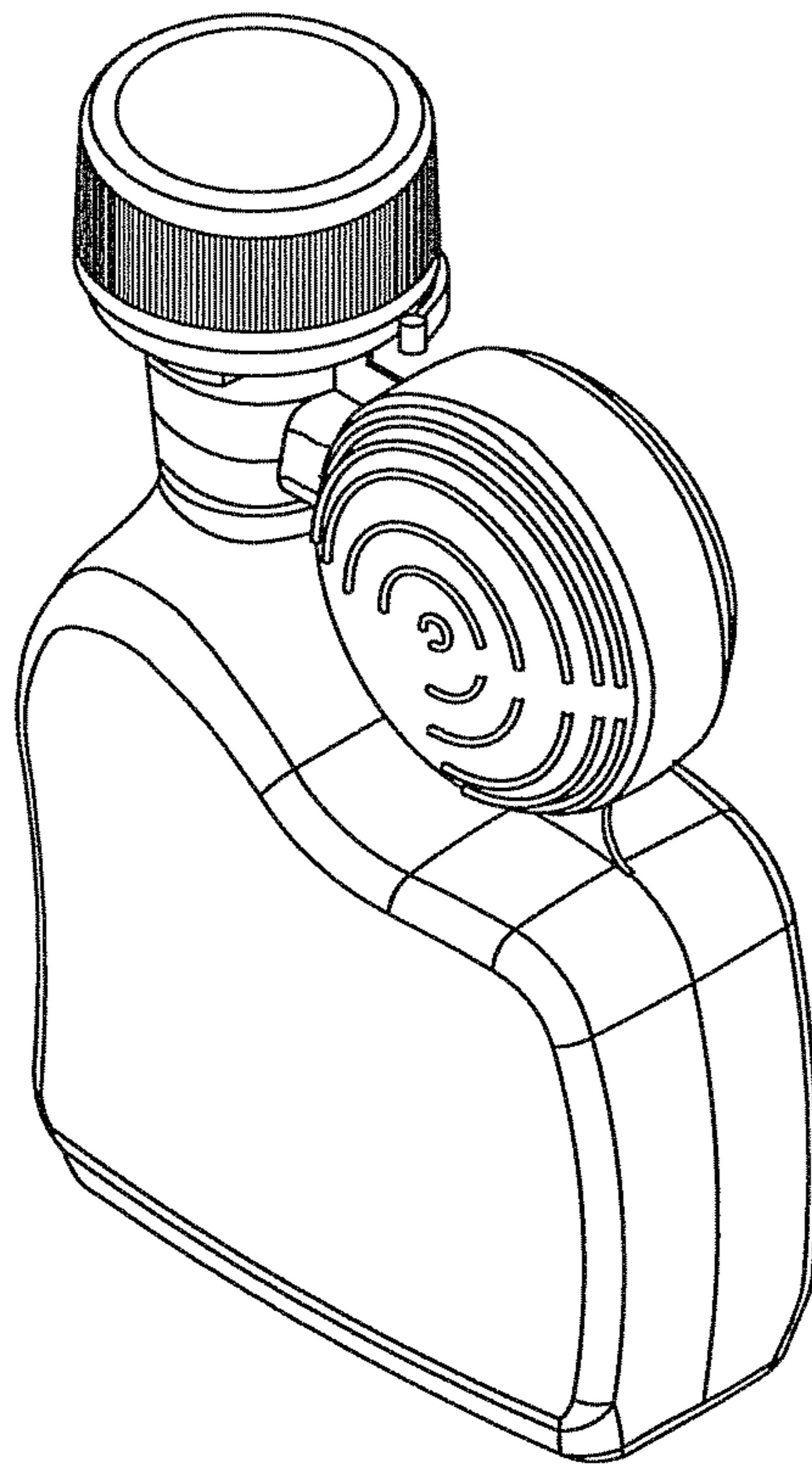


FIG. 1

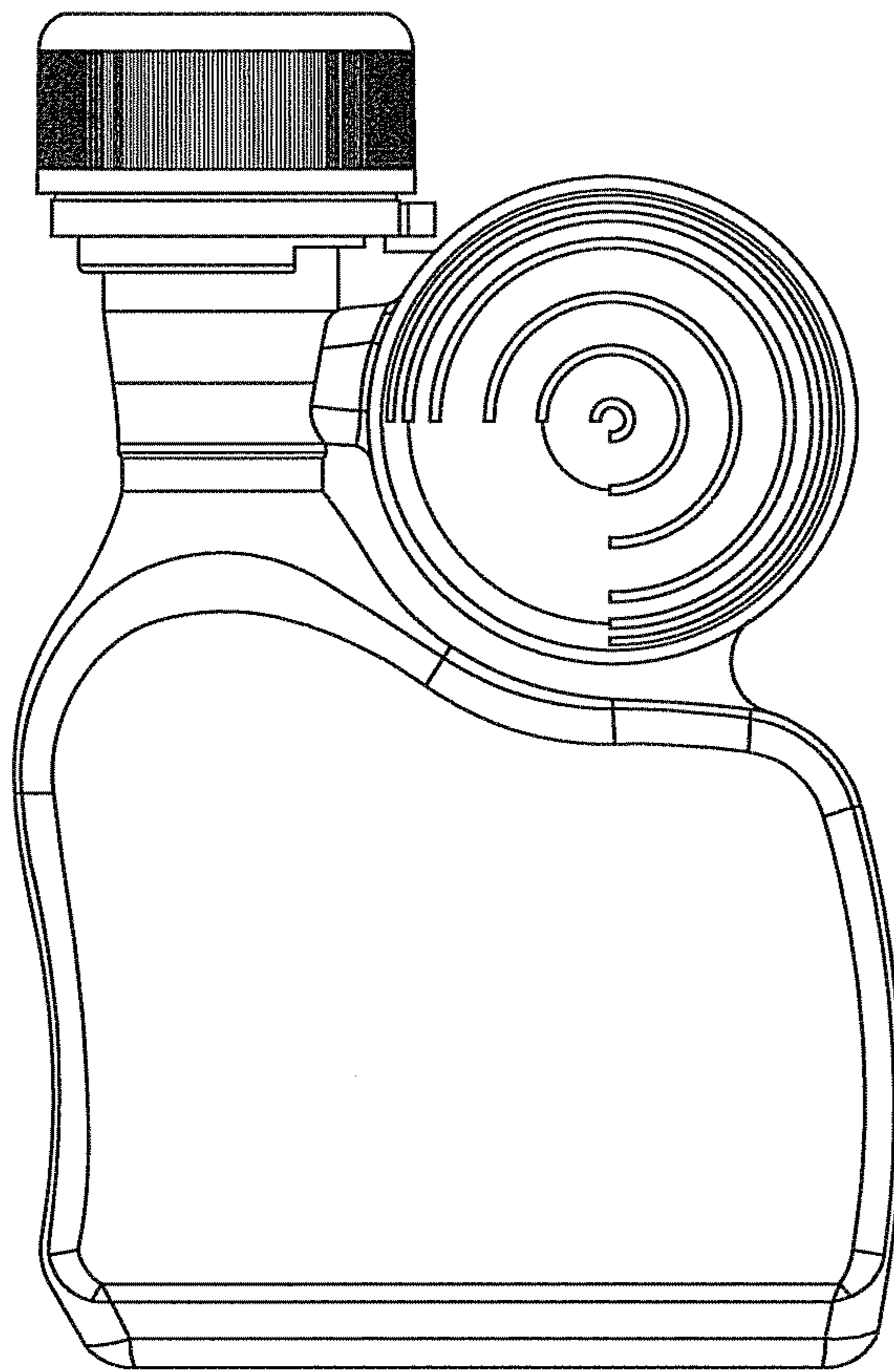


FIG. 2

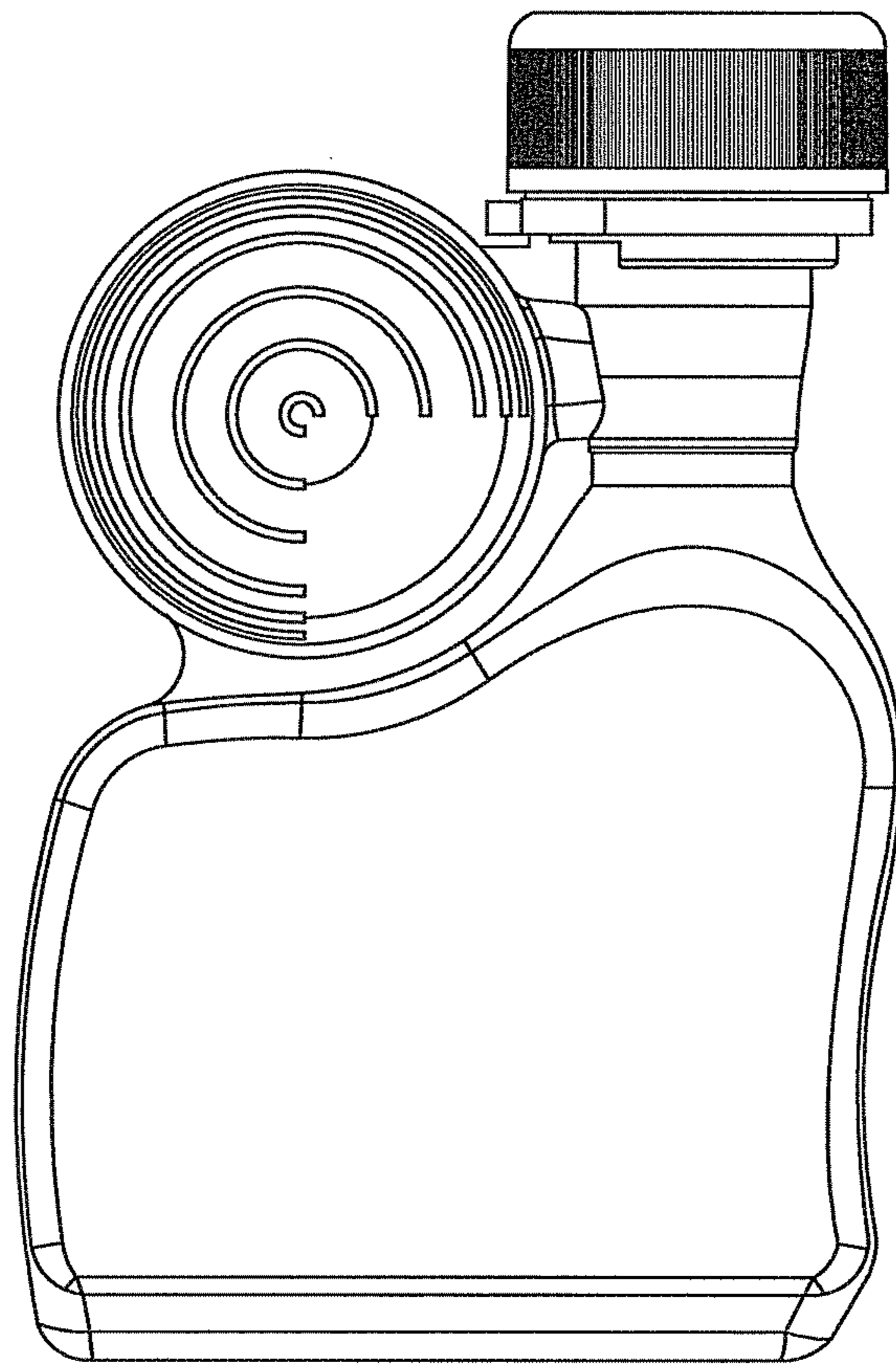


FIG. 3

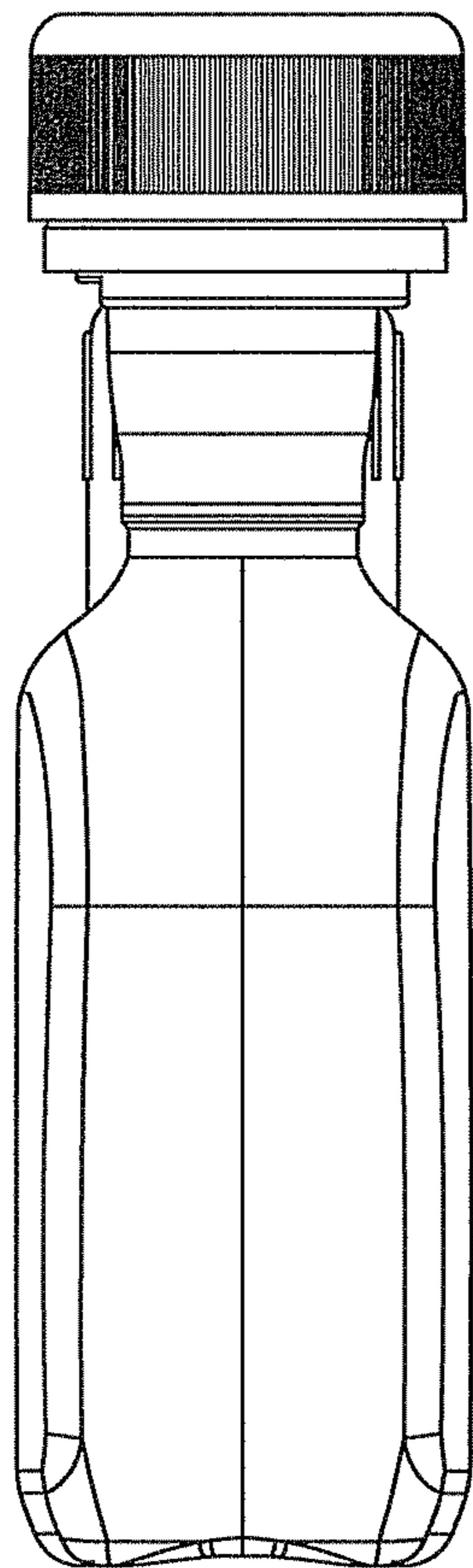


FIG. 4

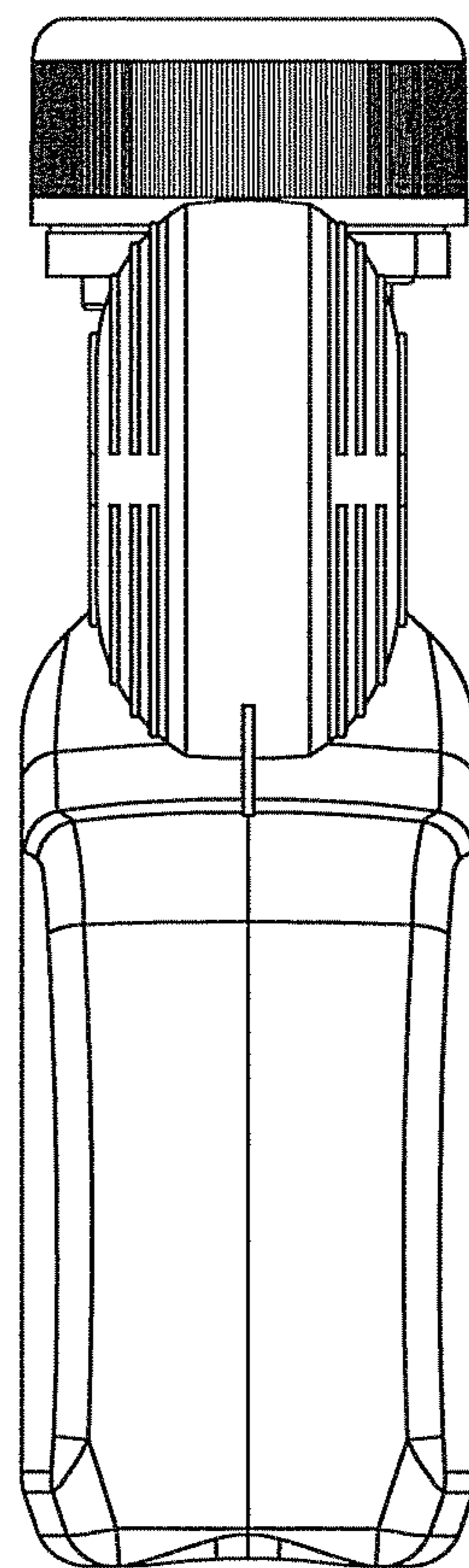


FIG. 5

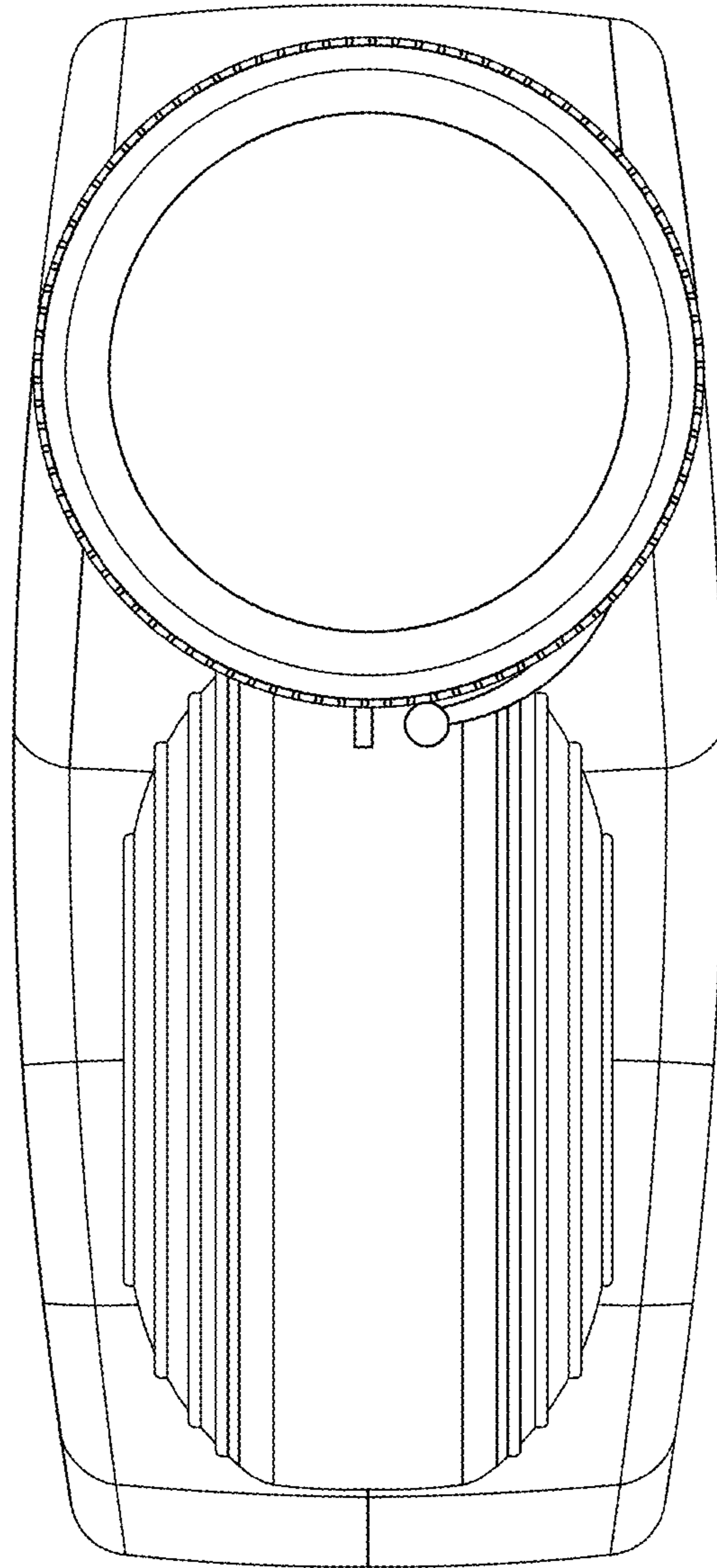


FIG. 6

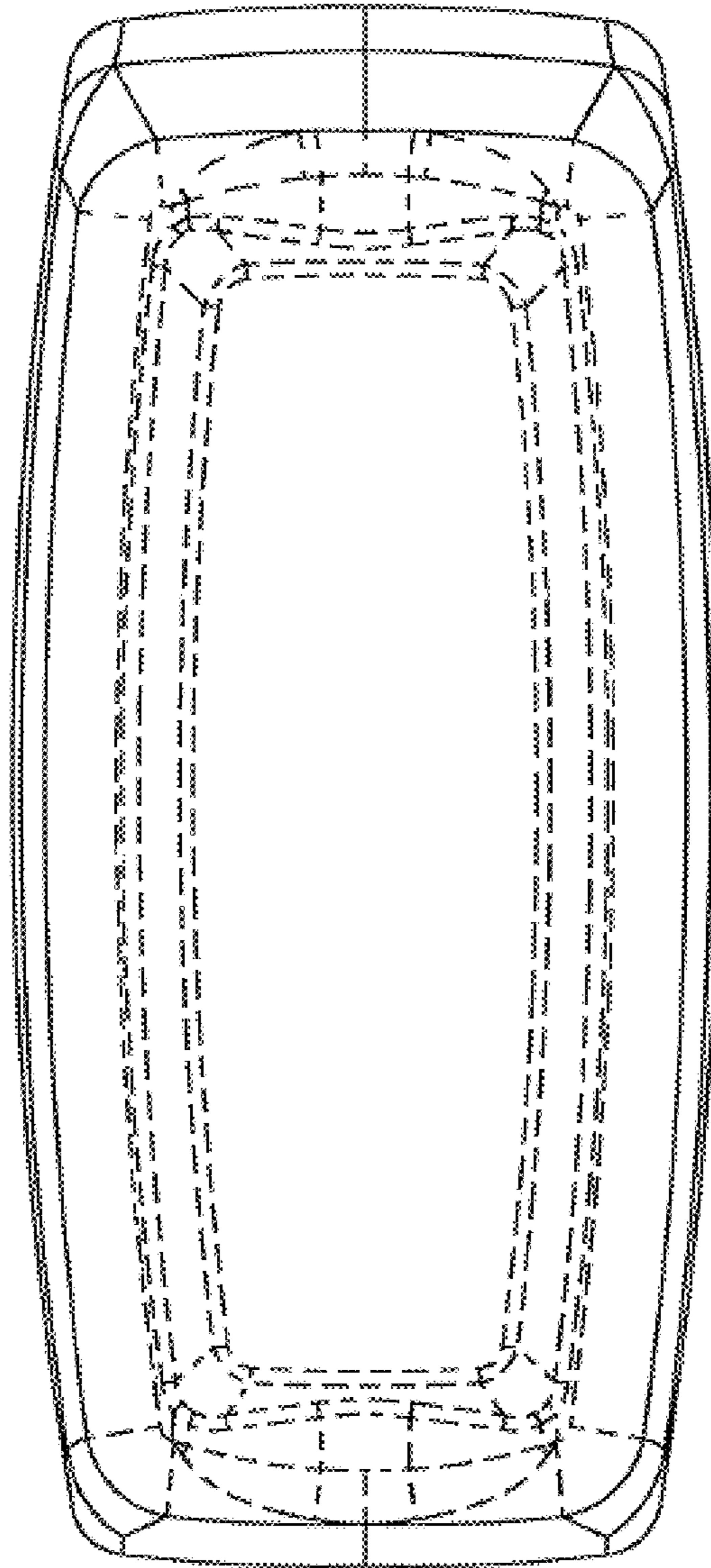


FIG. 7