



US00D821198S

(12) **United States Design Patent** (10) **Patent No.:** **US D821,198 S**
Arnold et al. (45) **Date of Patent:** **** Jun. 26, 2018**

(54) **CONTAINER LID**

- (71) Applicant: **Leprino Performance Brands LLC**, Denver, CO (US)
- (72) Inventors: **Mike Arnold**, Denver, CO (US); **Paul Vraciu**, Denver, CO (US); **Elizabeth Marie Barrett**, Newburgh, IN (US); **Scott Lee Fisher**, Evansville, IN (US)
- (73) Assignee: **Leprino Performance Brands LLC**, Denver, CO (US)
- (**) Term: **15 Years**

- (21) Appl. No.: **29/590,731**
- (22) Filed: **Jan. 12, 2017**
- (51) **LOC (11) Cl.** **09-07**
- (52) **U.S. Cl.**
USPC **D9/436**
- (58) **Field of Classification Search**
USPC D7/391, 392, 392.1, 396.1, 213, 387, D7/396.3, 541, 546, 549, 554.2, 554.3, D7/601, 602, 605, 701, 703, 705, 401.2, D7/637, 653, 691; D9/434–436, 438, D9/443, 447, 455–457, 499, 414, 418, D9/420, 423, 424, 426, 428, 430, 432, D9/440, 444, 446, 449, 453, 703, D9/715–718, 721; D3/202, 212, 294, D3/295, 318
CPC B65D 17/501; B65D 21/0209; B65D 43/163; B65D 51/20; B65D 55/02
See application file for complete search history.

(56) **References Cited**

U.S. PATENT DOCUMENTS

D260,722 S *	9/1981	Bateman	D7/691
D319,985 S *	9/1991	Crawford	D10/46.2
D330,997 S *	11/1992	Spahni, Jr.	D7/691
5,706,974 A	1/1998	Murdick et al.		
5,785,179 A	7/1998	Buczynski et al.		

(Continued)

OTHER PUBLICATIONS

Blogspot.com. Julie Dunkle Ironman—EAS Protein Powder and Electrolytes. Apr. 18, 2015 [earliest online date], [site visited Feb. 13, 2018]. Available from Internet, <URL:http://jdunkle.blogspot.com/2015/04/eas-protein-powder-and-electrolytes.html>. (Year: 2015).*

(Continued)

Primary Examiner — Eric L Goodman

Assistant Examiner — Darcey E Heflin

(74) *Attorney, Agent, or Firm* — Kilpatrick Townsend & Stockton LLP

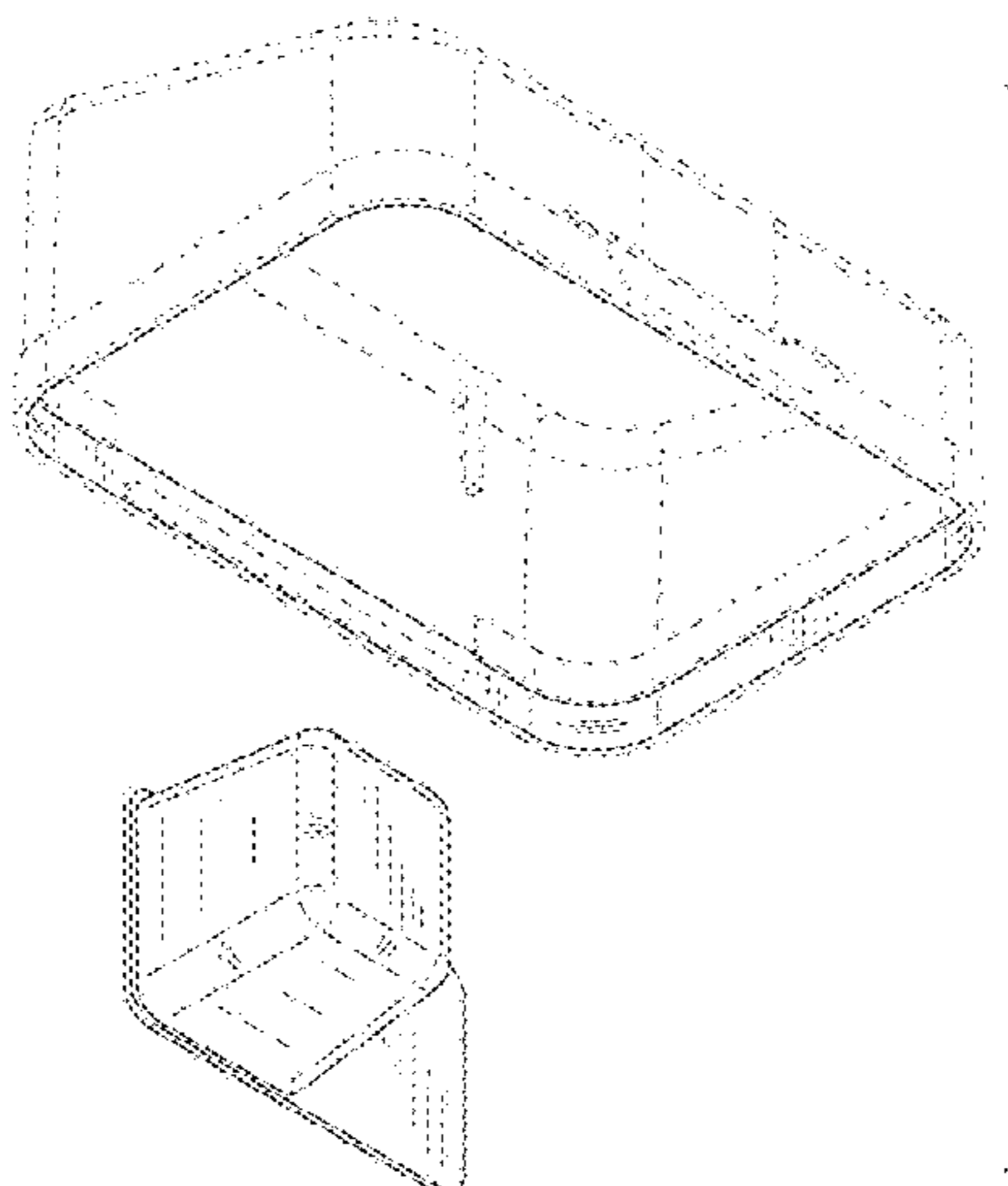
(57) **CLAIM**

The ornamental design for a container lid, as shown and described.

DESCRIPTION

FIG. 1 is a bottom perspective view of a container lid.
 FIG. 2 is a bottom perspective view of the container lid.
 FIG. 3 is a right bottom perspective view of the container lid.
 FIG. 4 is a front view of the container lid.
 FIG. 5 is a back view of the container lid.
 FIG. 6 is a right side view of the container lid.
 FIG. 7 is a left side view of the container lid.
 FIG. 8 is a top view of the container lid.
 FIG. 9 is a bottom view of the container lid.
 FIG. 10 is an exploded view of the container lid of FIG. 1 with a scoop being in a removed position.
 FIG. 11 is a front view of the container lid with the scoop in the removed position; and,
 FIG. 12 is a right side view of the container lid with the scoop in the removed position.
 The features shown in broken lines in the drawings depict environmental subject matter only and form no part of the claimed design.

1 Claim, 9 Drawing Sheets



(56)

References Cited

U.S. PATENT DOCUMENTS

D403,211 S * 12/1998 Weterrings D10/46.2
 D429,147 S * 8/2000 Baker D9/717
 D442,082 S * 5/2001 Maeda D9/425
 D463,977 S * 10/2002 Castellanos D9/425
 D503,317 S * 3/2005 Anderson D10/46.2
 7,040,500 B2 5/2006 Kipperman et al.
 7,175,041 B2 2/2007 Ekkert
 D567,600 S * 4/2008 Matsumura D10/46.2
 7,562,786 B2 7/2009 Morrison
 D620,769 S * 8/2010 Mangin D7/691
 8,042,704 B2 10/2011 Borowski et al.
 D650,637 S * 12/2011 Lasky D7/602
 D650,638 S * 12/2011 Lasky D7/602
 D655,576 S * 3/2012 Samartgis D7/602
 D666,926 S * 9/2012 De Leo D10/46.2
 8,308,008 B2 11/2012 Perry et al.
 D691,880 S * 10/2013 Larson D9/424
 D692,749 S * 11/2013 Larson D9/424
 8,590,732 B2 11/2013 Vandamme et al.

D694,575 S * 12/2013 Andres D7/392.1
 8,757,421 B2 6/2014 Yang et al.
 8,833,584 B2 9/2014 Groubert
 D800,514 S * 10/2017 Feldner D7/637
 2008/0041861 A1 2/2008 Crawford et al.
 2011/0315686 A1 12/2011 Siddiqui et al.
 2014/0151389 A1 6/2014 Melia
 2015/0197381 A1 7/2015 Valenti et al.
 2015/0210450 A1 7/2015 Mercado et al.
 2017/0096268 A1* 4/2017 Perry B65D 51/24

OTHER PUBLICATIONS

Edge “Pure Milk Protein Powder, Creamy Vanilla, 1.7lb (Formerly EAS Lean 15)”, retrieved on Dec. 13, 2016 from the internet: <
https://www.amazon.com/EAS-AdvantEDGE-Protein-Formerly-Packaging/dp/B00WE0AWM0/ref=sr_1_fkmr2_1_a_it?ie=UTF8&qid=1481664238&sr=8-1-fkmr2&keywords=edge%2Bpure%2Bmilk%2Bpowder%2Bcreamy%2Bvanilla&th=1>.

* cited by examiner

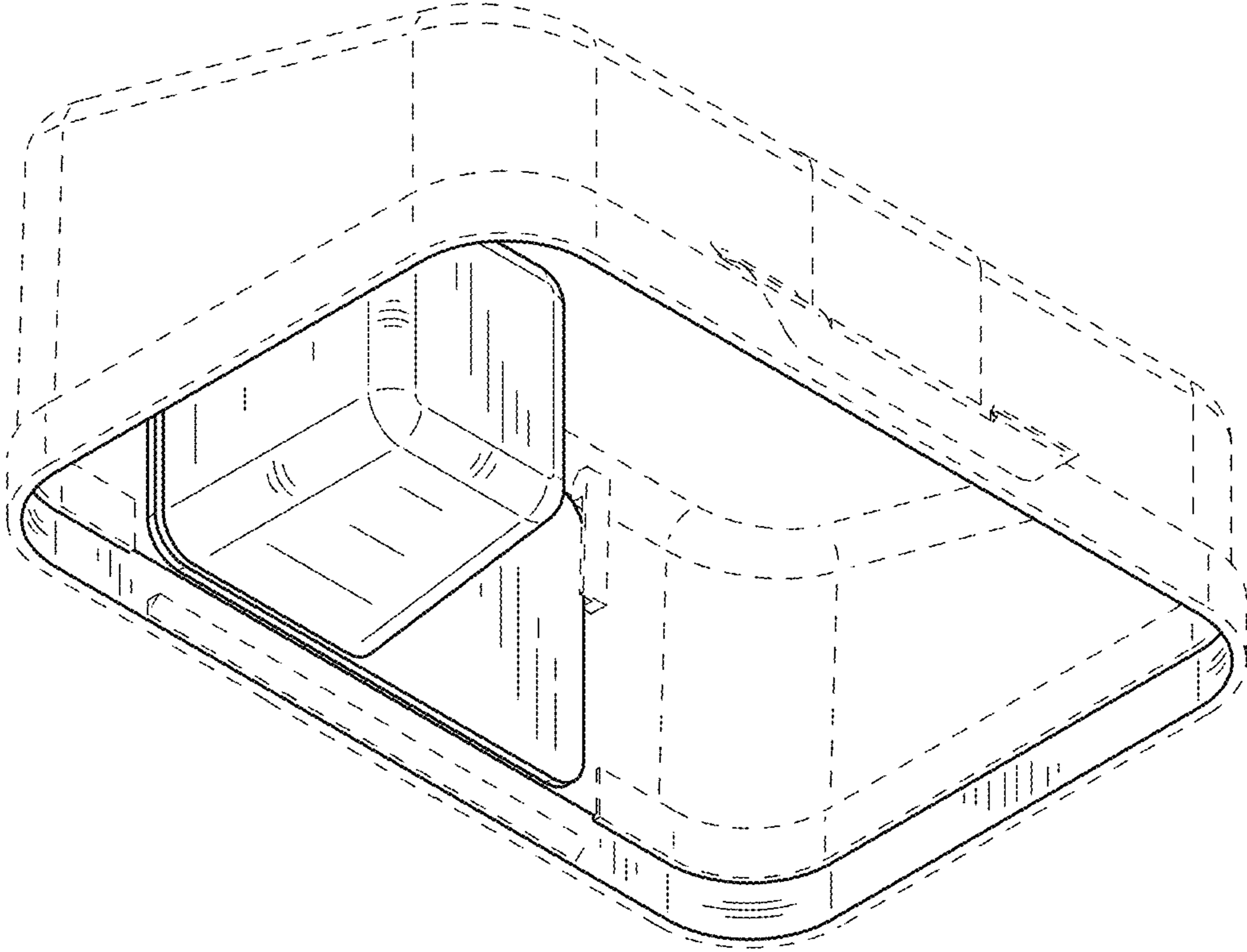


FIG.1

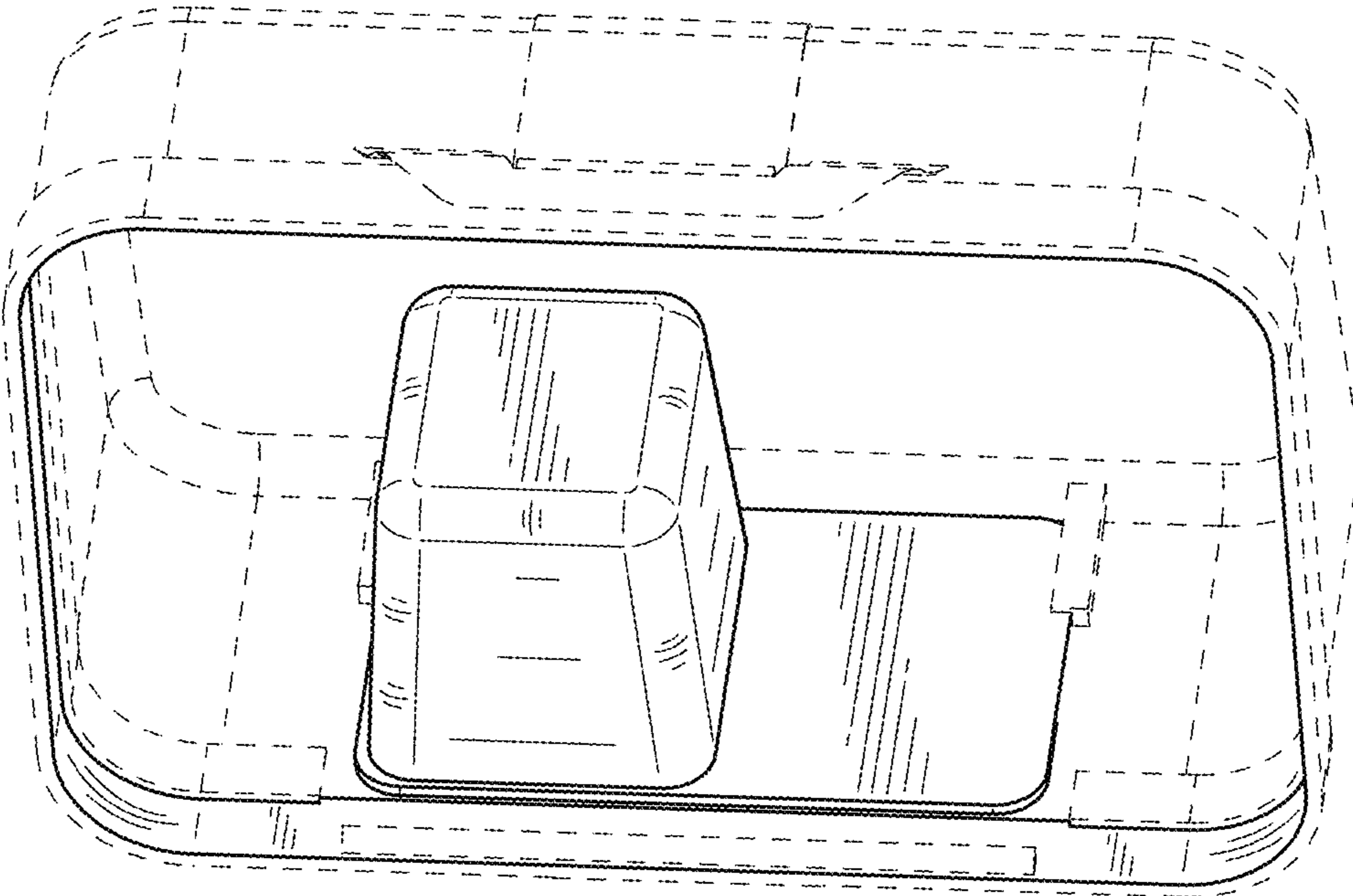


FIG.2

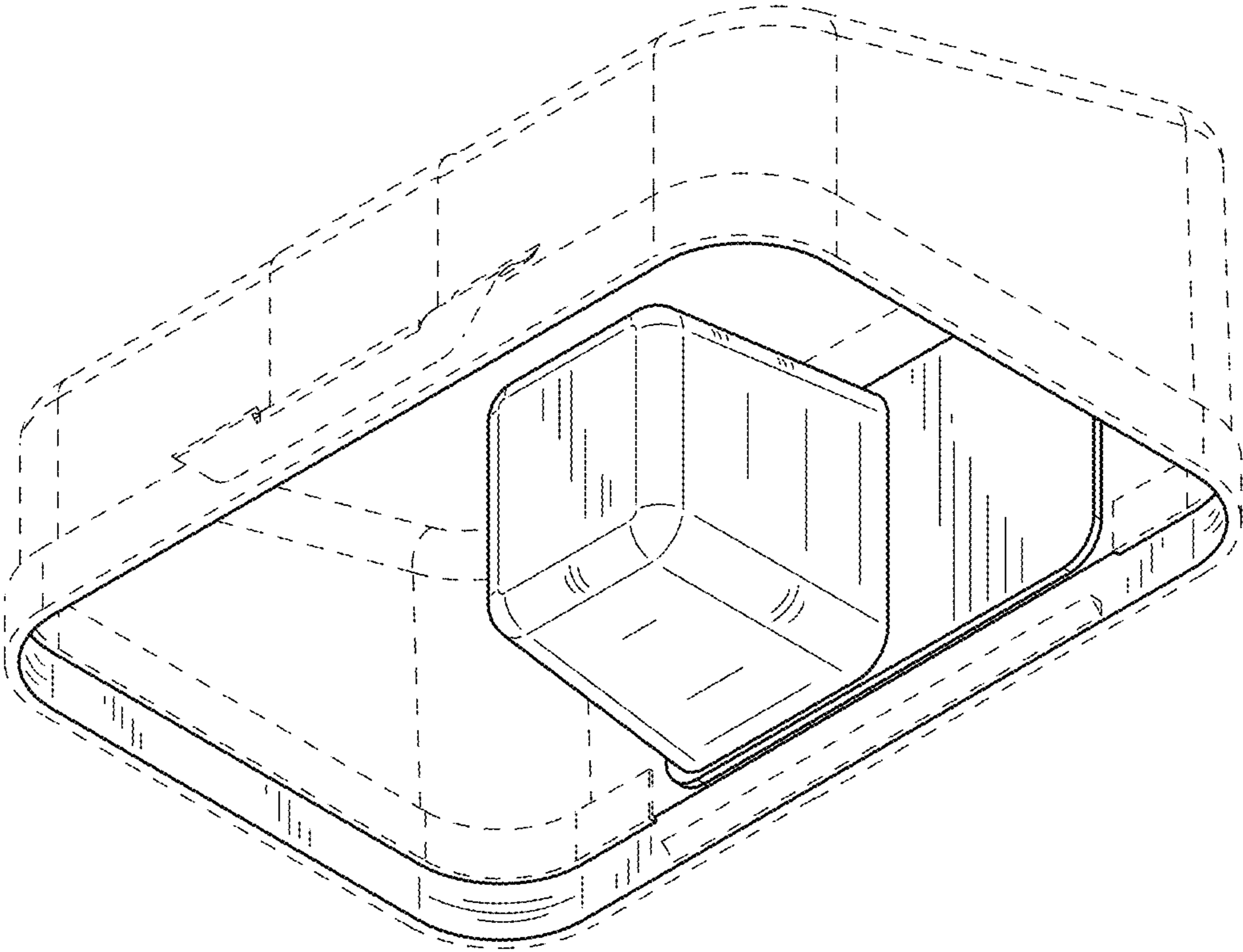


FIG.3

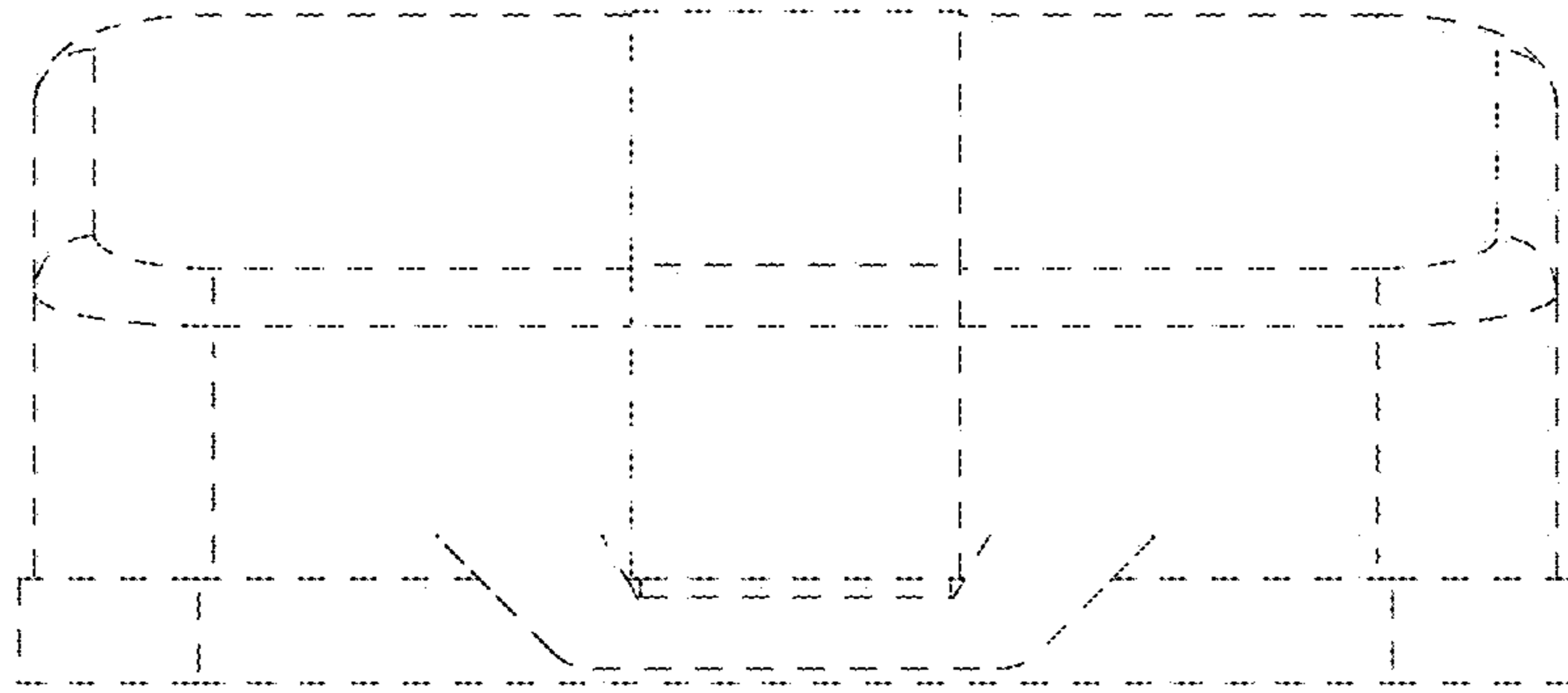


FIG. 4

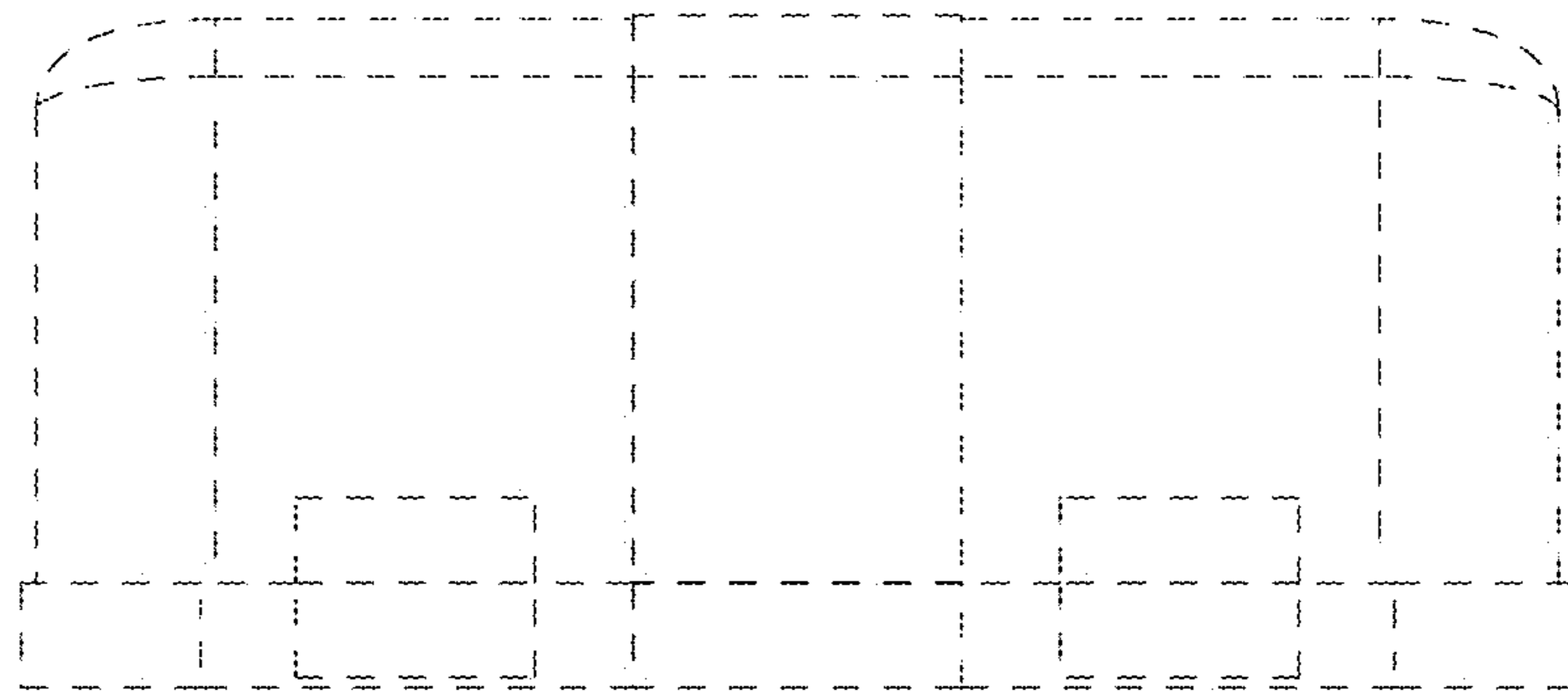


FIG. 5

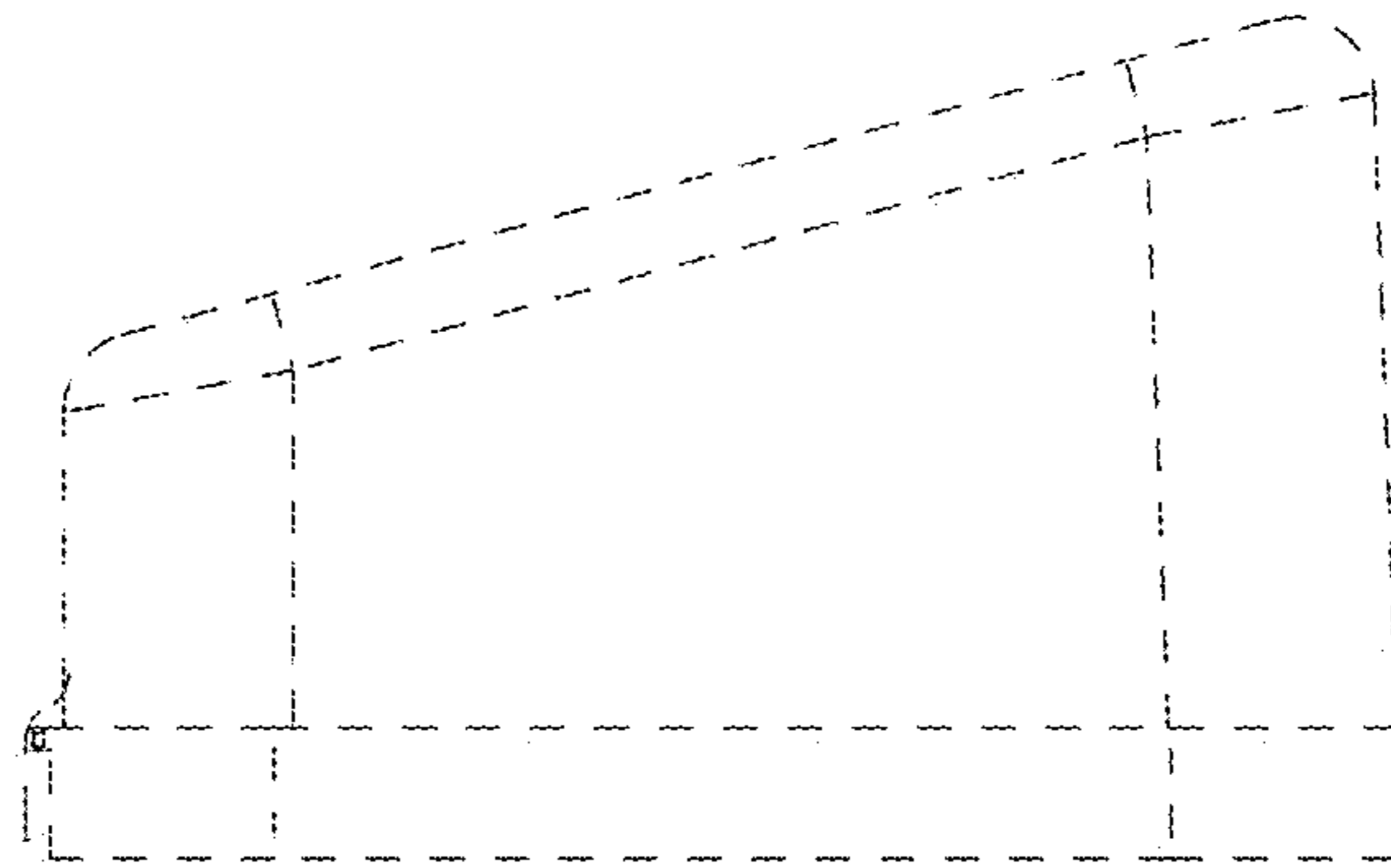


FIG. 6

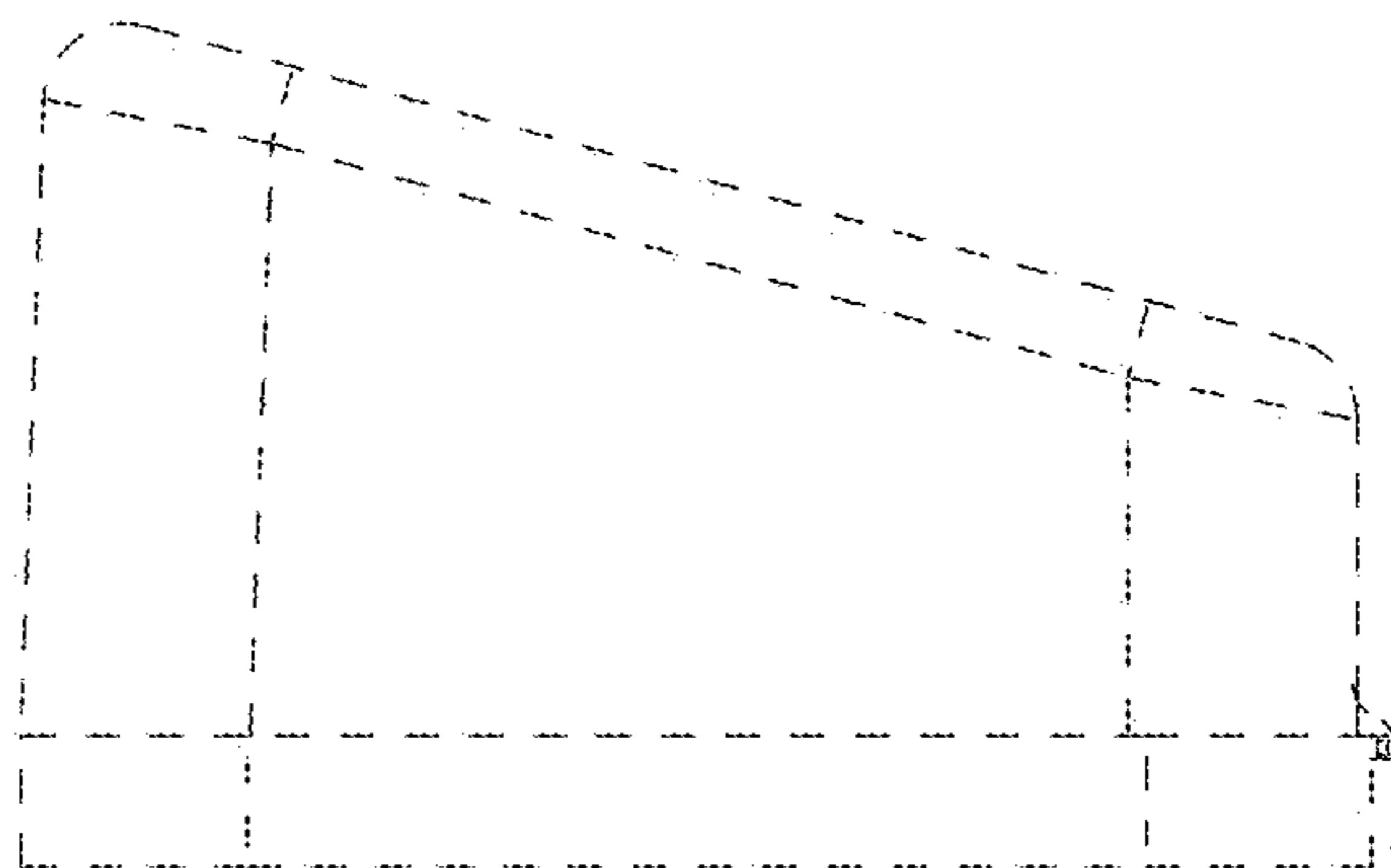


FIG. 7

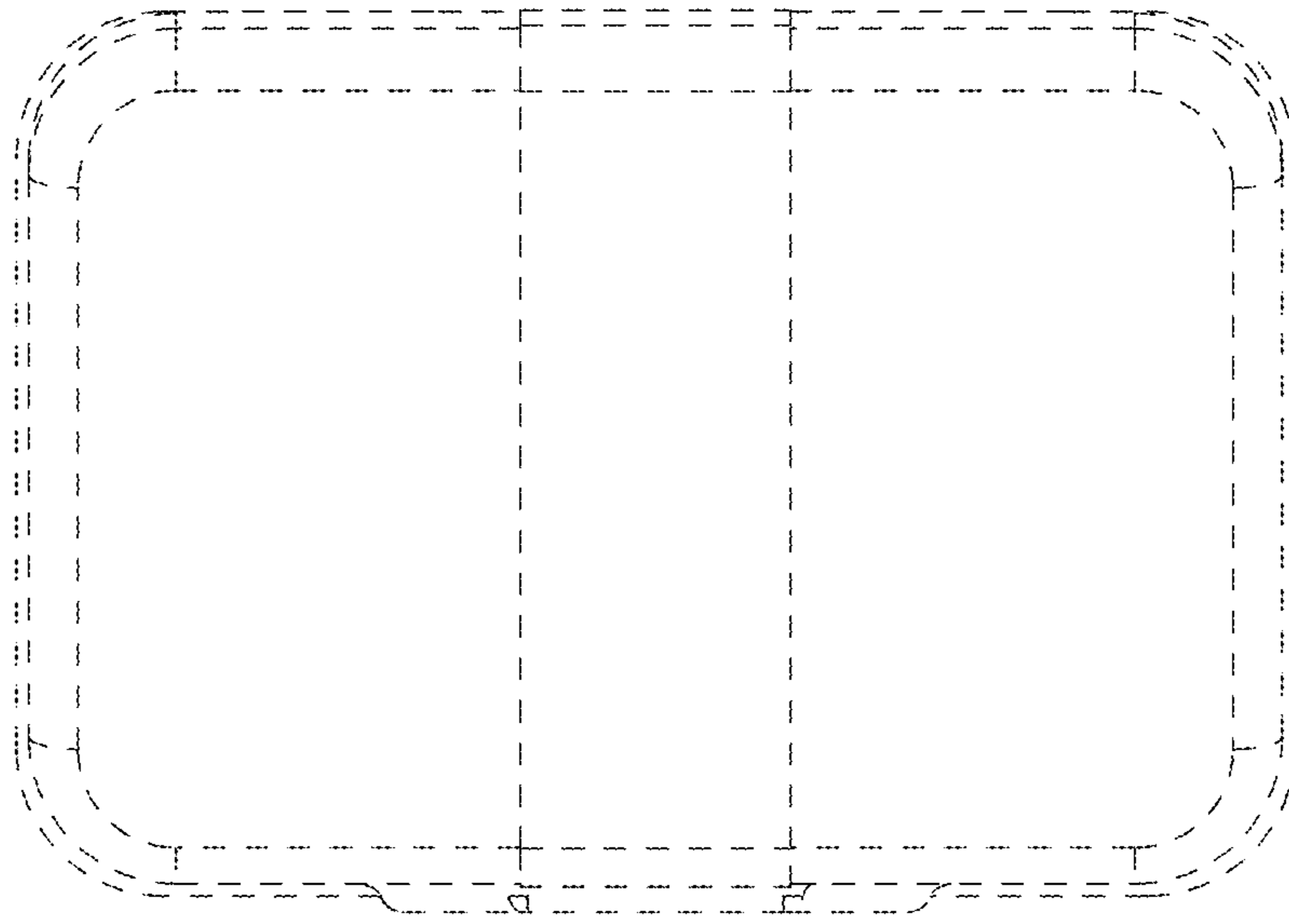


FIG. 8

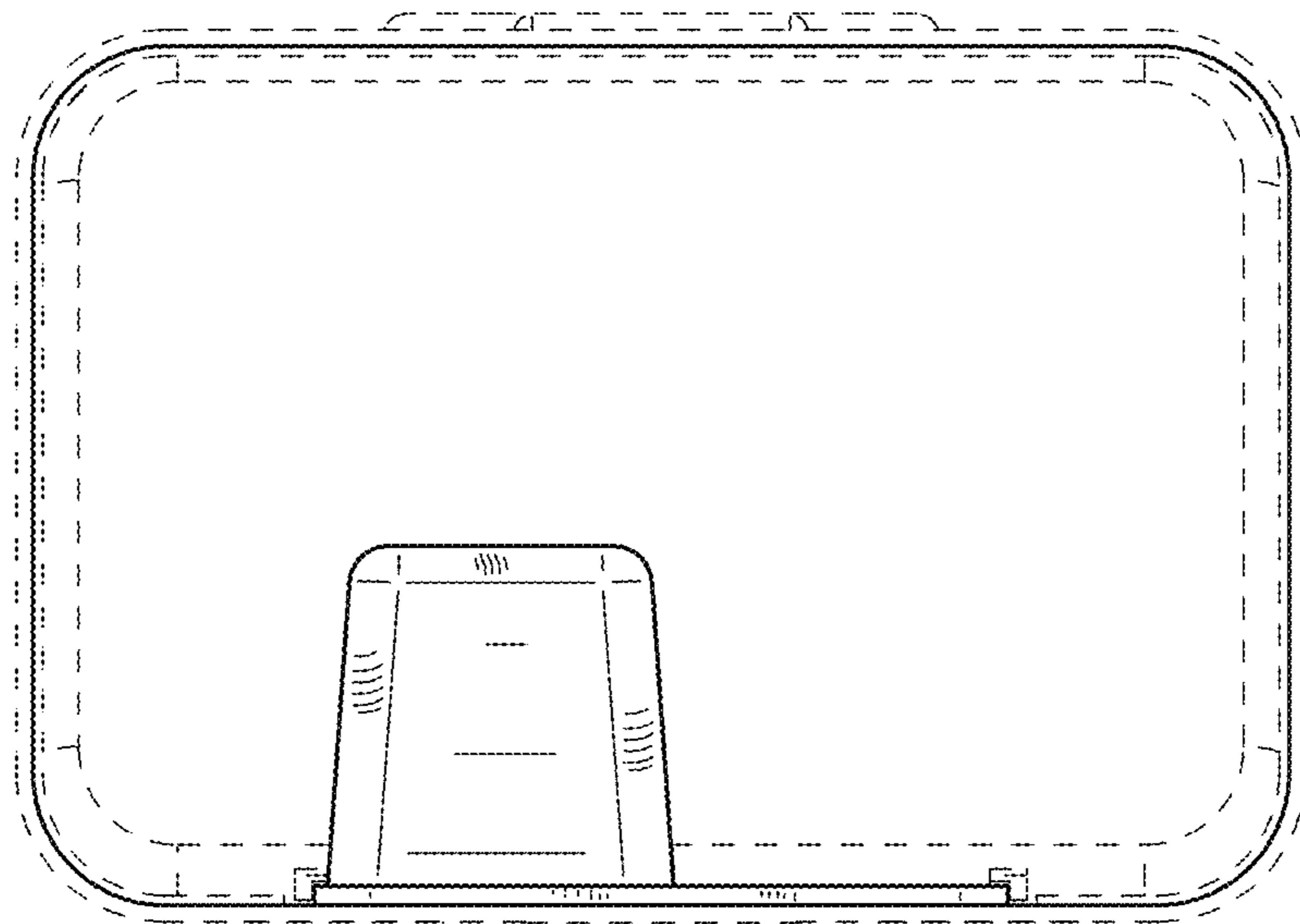


FIG. 9

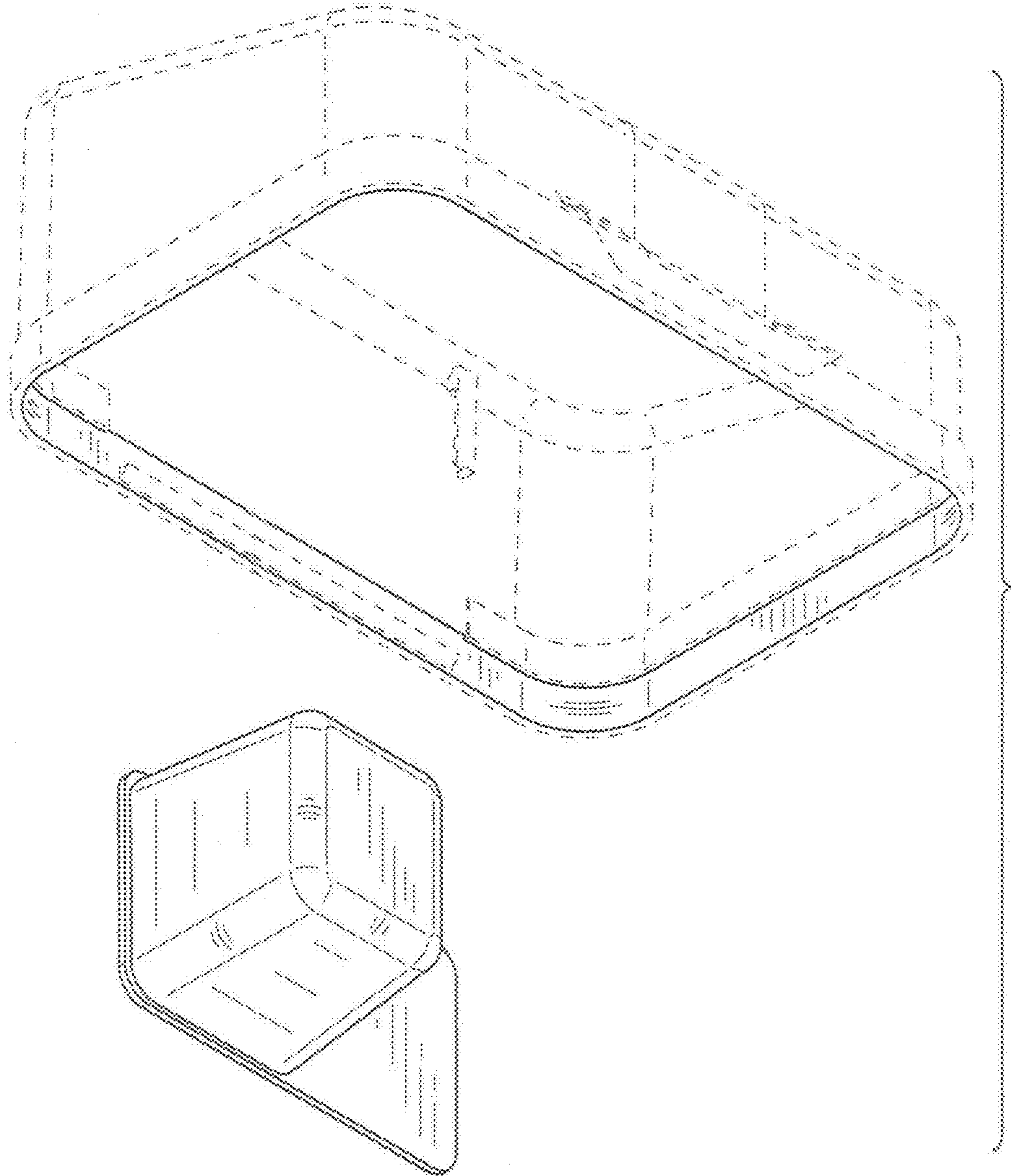


FIG. 10

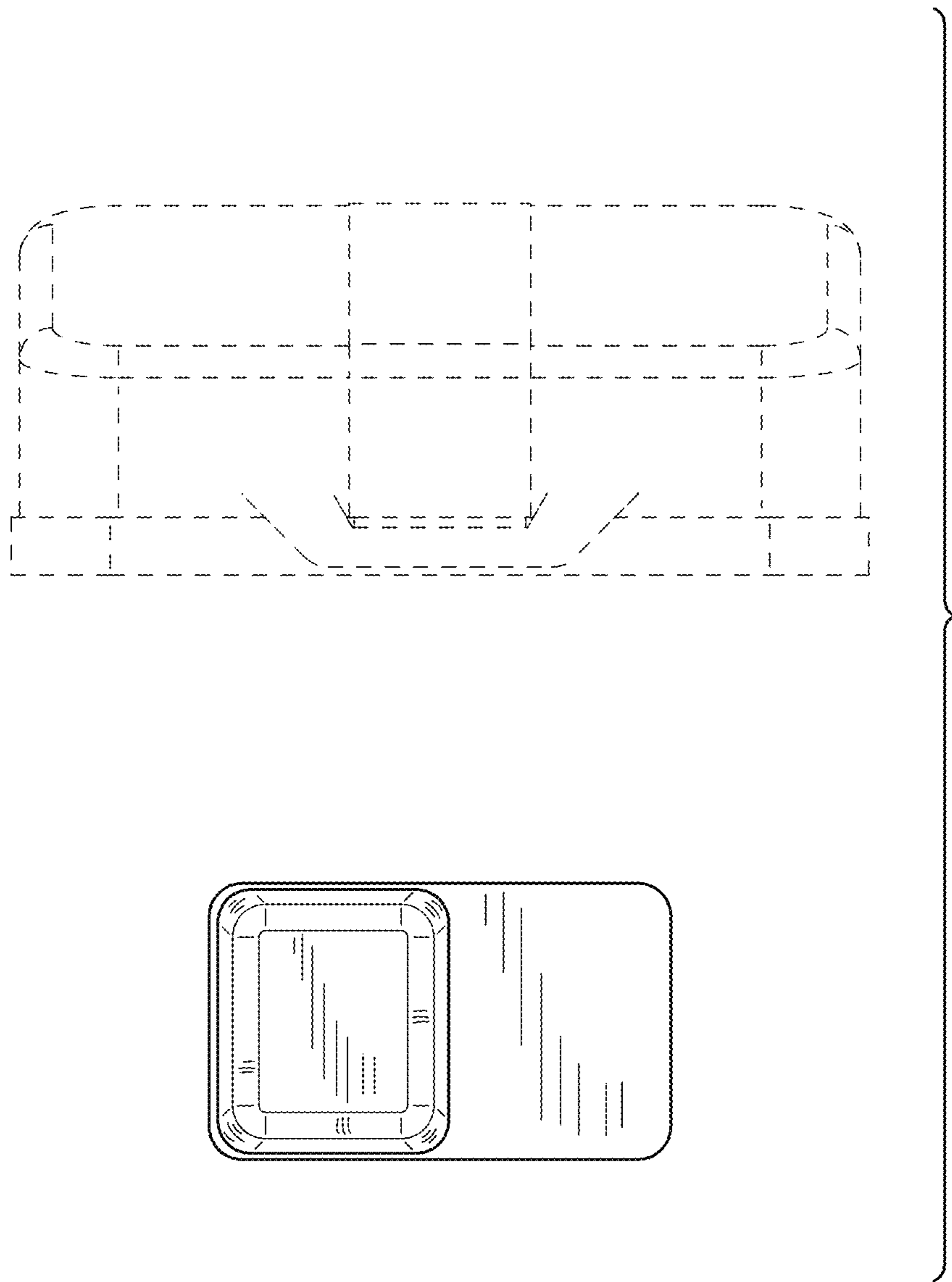


FIG.11

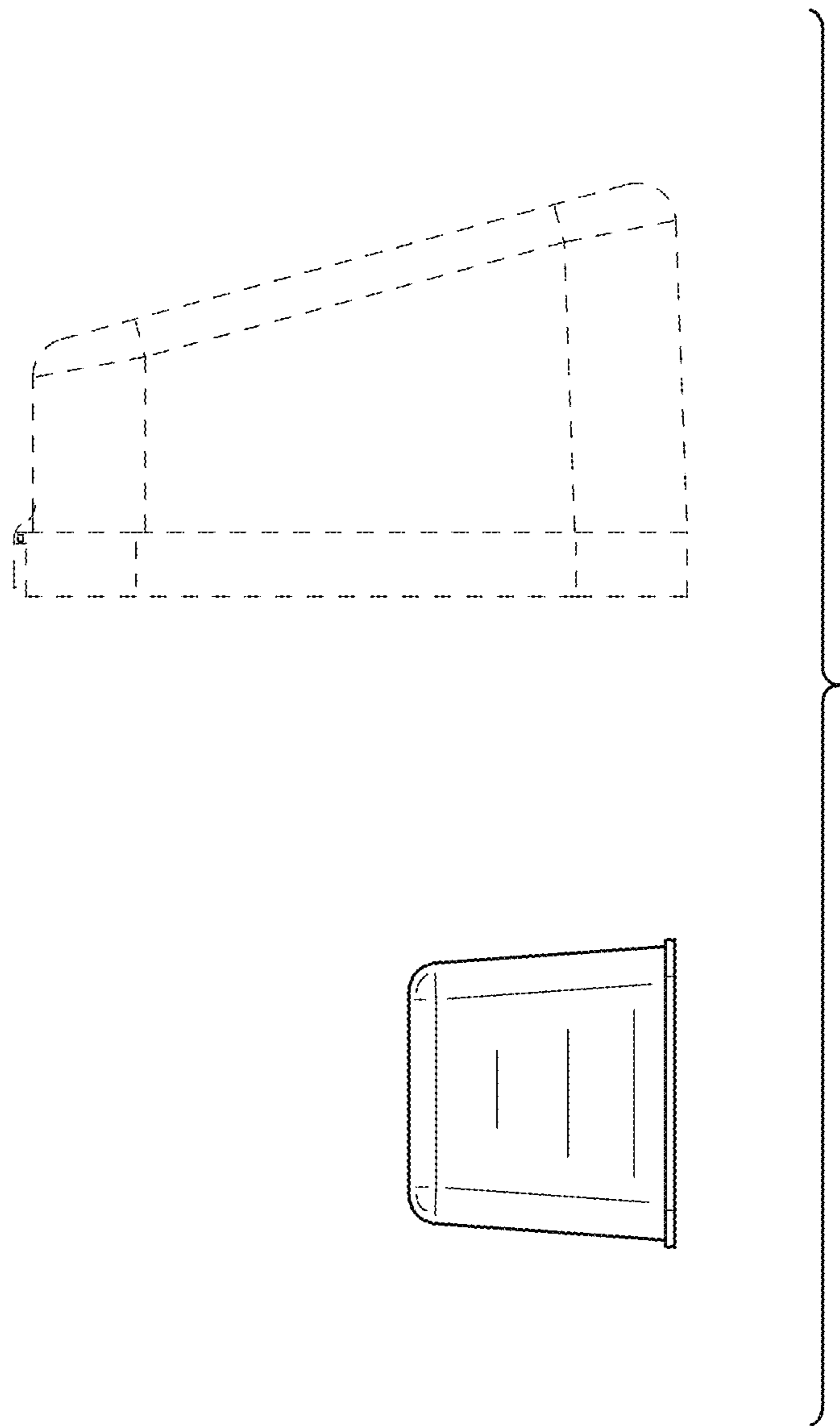


FIG.12