

US00D821196S

(12) **United States Design Patent**  
**Doster**

(10) **Patent No.:** **US D821,196 S**  
(45) **Date of Patent:** **\*\* Jun. 26, 2018**

- (54) **LATERAL PANEL CARD**
- (71) Applicant: **Paradise Packaging Inc.**, Orchard Park, NY (US)
- (72) Inventor: **Gary Doster**, Orchard Park, NY (US)
- (73) Assignee: **Paradise Packaging Inc.**, Orchard Park, NY (US)
- (\*\*) Term: **15 Years**
- (21) Appl. No.: **29/596,552**
- (22) Filed: **Mar. 9, 2017**
- (51) **LOC (11) Cl.** ..... **09-03**
- (52) **U.S. Cl.**  
USPC ..... **D9/433; D9/456**
- (58) **Field of Classification Search**  
USPC ..... D9/414, 415, 424, 425, 430, 432, 433, D9/434, 455, 456, 457, 499; D19/9, 10; D20/40  
CPC .. A61J 1/00; A61J 1/1412; B65D 1/00; B65D 1/02; B65D 1/10; B65D 1/46; B65D 2585/56; B65D 2585/545; B65D 41/00; B65D 41/38; B65D 41/56; B65D 41/62; B65D 47/00; B65D 47/06; B65D 47/08; B65D 2543/00046; B65D 2543/00092; B65D 2543/00296; B65D 5/46; B65D 5/503; B65D 5/4233; B65D 2251/00  
See application file for complete search history.

- (56) **References Cited**  
**U.S. PATENT DOCUMENTS**  
639,679 A \* 12/1899 Kaufmann ..... G09F 11/00 40/488  
3,910,483 A \* 10/1975 Ritter ..... B65D 5/28 229/117.16  
D255,994 S \* 7/1980 Roccaforte ..... D9/433  
D267,476 S \* 1/1983 Boedeker ..... D9/433  
D401,853 S \* 12/1998 Stavridis ..... D9/432

|                |         |              |       |              |         |
|----------------|---------|--------------|-------|--------------|---------|
| 5,996,588 A *  | 12/1999 | Abrines Amer | ..... | A24F 15/18   | 131/175 |
| D489,255 S *   | 5/2004  | Kratzert     | ..... |              | D9/432  |
| D552,987 S *   | 10/2007 | Magnusson    | ..... |              | D9/432  |
| D586,653 S *   | 2/2009  | Moore        | ..... |              | D9/433  |
| D587,112 S *   | 2/2009  | Magnusson    | ..... |              | D9/433  |
| D588,909 S *   | 3/2009  | Kim          | ..... |              | D9/433  |
| D604,615 S *   | 11/2009 | Doster       | ..... |              | D9/456  |
| D614,489 S *   | 4/2010  | Doster       | ..... |              | D9/456  |
| D615,402 S *   | 5/2010  | Doster       | ..... |              | D20/22  |
| D623,939 S *   | 9/2010  | Tearle       | ..... |              | D9/433  |
| 8,006,835 B2 * | 8/2011  | Moore        | ..... | B65D 85/1081 | 206/273 |
| D644,979 S *   | 9/2011  | Wenrick      | ..... |              | D12/221 |
| D648,630 S *   | 11/2011 | Doster       | ..... |              | D19/83  |
| D659,193 S *   | 5/2012  | Newman       | ..... |              | D20/27  |

(Continued)

**OTHER PUBLICATIONS**

<http://www.paradisepackaging.com/pages/mediapackaging.html>  
Available Jun. 19, 2016 (Year: 2016).\*

*Primary Examiner* — Susan B Hattan  
*Assistant Examiner* — Leanne D Was-Englehart  
(74) *Attorney, Agent, or Firm* — Roach Brown McCarthy & Gruber, P.C.; Kevin D. McCarthy

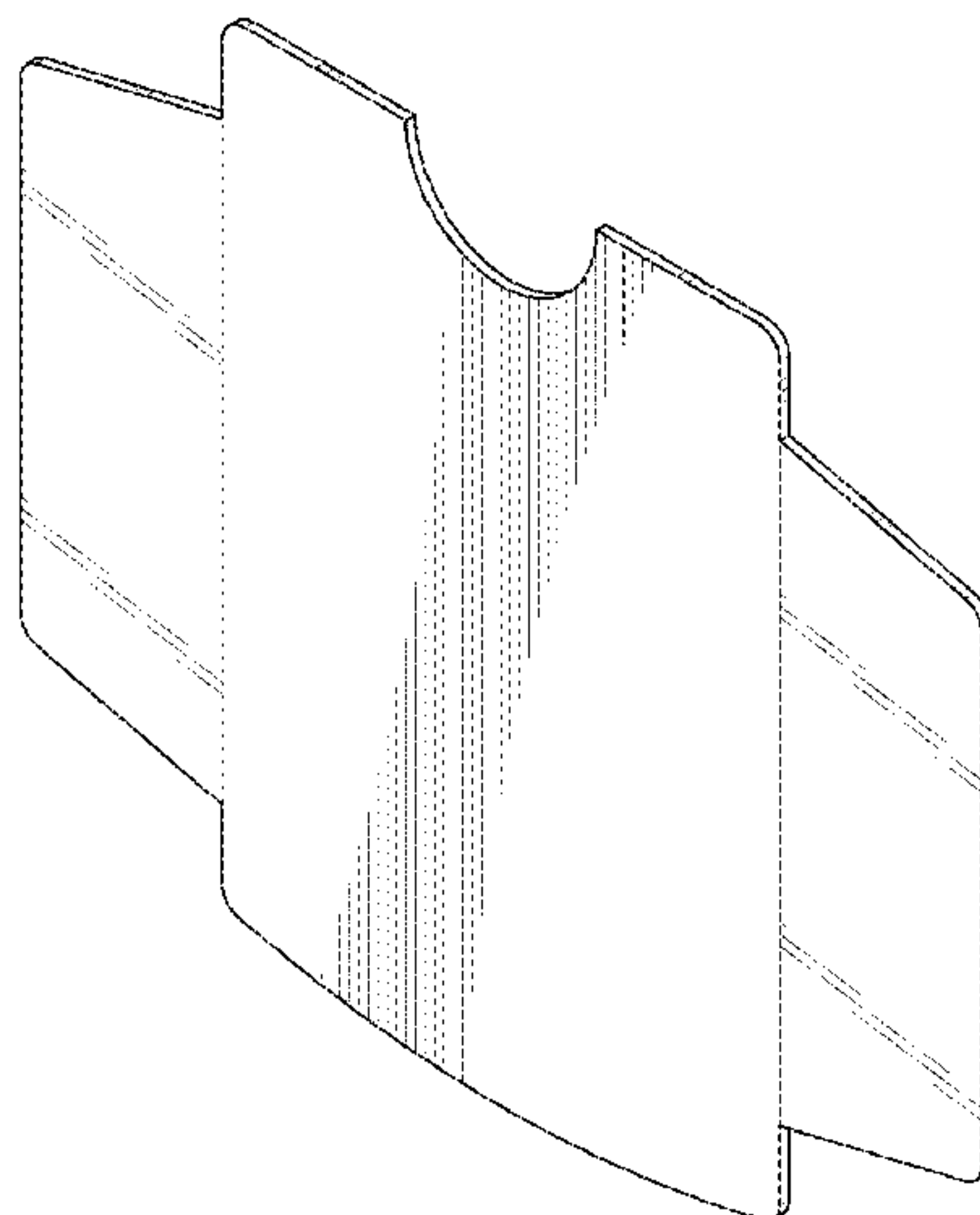
(57) **CLAIM**

The ornamental design for a lateral panel card, as shown and described.

**DESCRIPTION**

FIG. 1 is a perspective view of the bottom, left side and front surfaces of a lateral panel card of the applicant's design; FIG. 2 is a front view thereof; FIG. 3 is a left side view thereof; FIG. 4 is a rear view thereof; FIG. 5 is a right side view thereof; FIG. 6 is a top view thereof; and, FIG. 7 is a bottom view thereof.

**1 Claim, 5 Drawing Sheets**



(56)

**References Cited**

U.S. PATENT DOCUMENTS

|              |    |   |         |            |       |                         |
|--------------|----|---|---------|------------|-------|-------------------------|
| D663,206     | S  | * | 7/2012  | Nelson     | ..... | D9/456                  |
| D663,207     | S  | * | 7/2012  | Nelson     | ..... | D9/456                  |
| D719,443     | S  | * | 12/2014 | Jones      | ..... | D9/433                  |
| D748,978     | S  | * | 2/2016  | Glass      | ..... | D9/432                  |
| D764,904     | S  | * | 8/2016  | Moseri     | ..... | D9/414                  |
| D770,276     | S  | * | 11/2016 | Bjorsing   | ..... | D9/433                  |
| D784,127     | S  | * | 4/2017  | Sanfilippo | ..... | D9/433                  |
| D787,324     | S  | * | 5/2017  | Sotka      | ..... | D9/433                  |
| D788,582     | S  | * | 6/2017  | Sanfilippo | ..... | D9/433                  |
| D813,672     | S  | * | 3/2018  | Doster     | ..... | D9/456                  |
| D814,290     | S  | * | 4/2018  | Doster     | ..... | D9/418                  |
| 2011/0192751 | A1 | * | 8/2011  | Doster     | ..... | B65D 5/503<br>206/459.5 |

\* cited by examiner

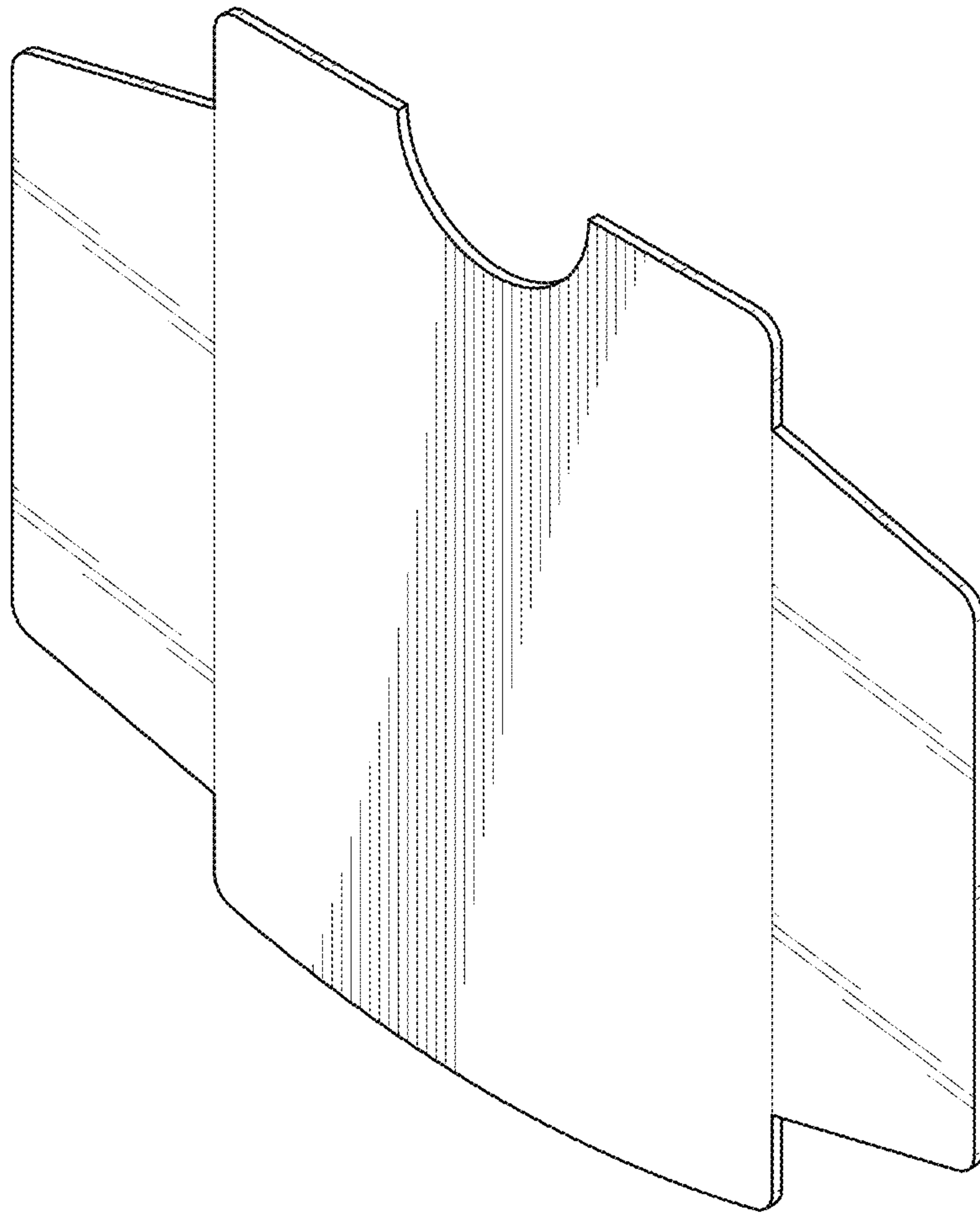


FIG. 1

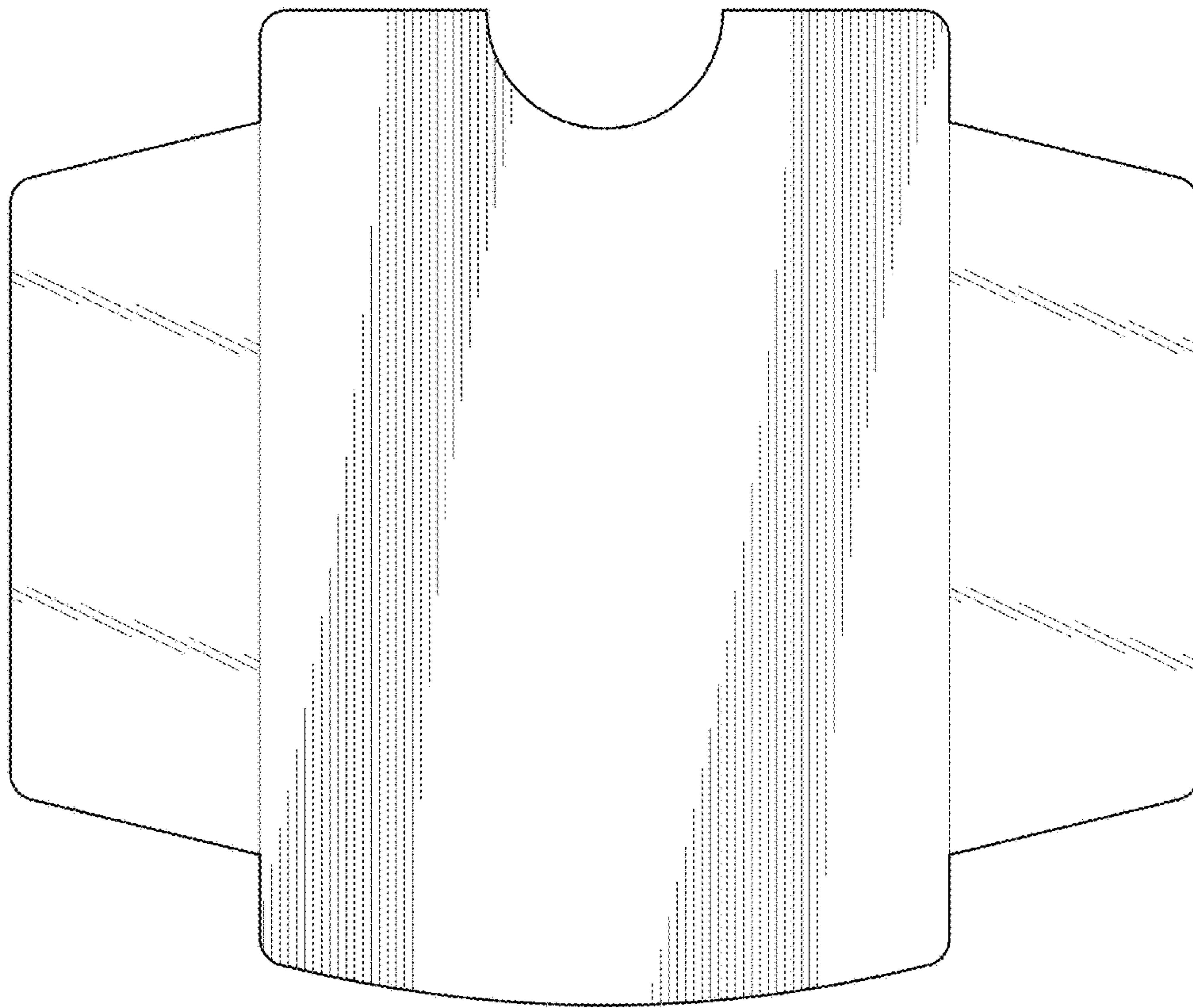


FIG. 2



FIG. 3



FIG. 5



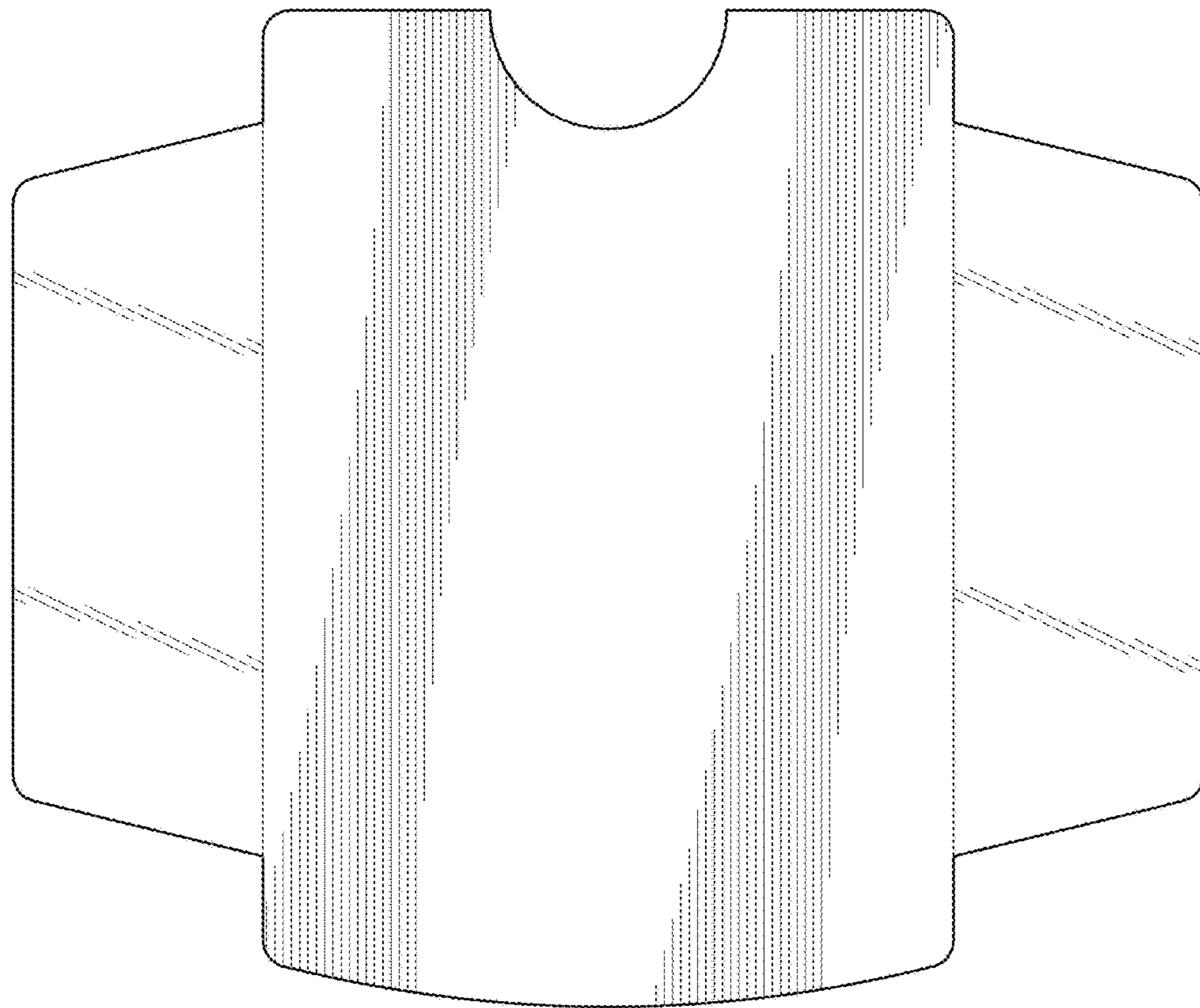


FIG. 4

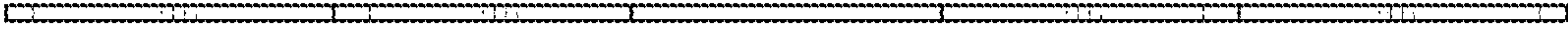


FIG. 6

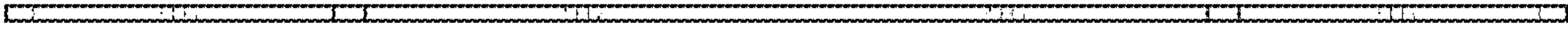


FIG. 7