



US00D821195S

(12) **United States Design Patent**
Kioroglou

(10) **Patent No.:** **US D821,195 S**
(45) **Date of Patent:** **** Jun. 26, 2018**

(54) **FOOTWEAR PACKAGING**

(71) Applicant: **Andreas Kioroglou**, Athens (GR)

(72) Inventor: **Andreas Kioroglou**, Athens (GR)

(**) Term: **15 Years**

(21) Appl. No.: **29/580,788**

(22) Filed: **Oct. 13, 2016**

(30) **Foreign Application Priority Data**

Apr. 23, 2016 (EM) 003082940

(51) **LOC (11) Cl.** **09-03**

(52) **U.S. Cl.**

USPC **D9/430; D9/418**

(58) **Field of Classification Search**

USPC D9/414-419, 420-423, 430-434,
D9/720-722, 733, 734, 737, 761;
D3/290, 304, 305, 315

CPC B65D 5/00; B65D 5/0015; B65D 5/061;
B65D 5/18; B65D 5/20; B65D 5/32;
B65D 5/321; B65D 5/322

See application file for complete search history.

8,695,848 B2 * 4/2014 Cook B65D 83/0847
206/436

D715,641 S * 10/2014 Spinos D9/432

D759,503 S * 6/2016 Terpko D6/515

D780,452 S * 3/2017 Stratton D3/305

D786,669 S * 5/2017 Kim D9/432

D795,060 S * 8/2017 Talios D9/432

2004/0232013 A1 * 11/2004 Renhed A61F 15/001
206/229

OTHER PUBLICATIONS

Innovative Shoe Box. [online] Retrieved Sep. 25, 2017 from URL:<http://www.packagingoftheworld.com/2017/06/viupax-innovative-shoe-box-concept.html>.*

Viupax Footwear Packaging. [online] Retrieved Sep. 25, 2017 from URL:<http://www.core77.com/projects/67263/Viupax-Footwear-Packaging-is-Saving-the-Planet-with-a-Shoe-Box>.*

* cited by examiner

Primary Examiner — Vy N Koenig

(57) **CLAIM**

The ornamental design for a footwear packaging, as shown.

DESCRIPTION

FIG. 1 is a perspective view of a footwear packaging, showing the new design;

FIG. 2 is a left side view of the footwear packaging of FIG. 1;

FIG. 3 is a rear view of the footwear packaging of FIG. 1;

FIG. 4 is a front view of the footwear packaging of FIG. 1; and,

FIG. 5 is the top view of the footwear packaging of FIG. 1.

1 Claim, 5 Drawing Sheets

(56) **References Cited**

U.S. PATENT DOCUMENTS

4,919,982 A * 4/1990 Hayes A63H 33/16
428/34.2

D332,184 S * 1/1993 Becker D6/673

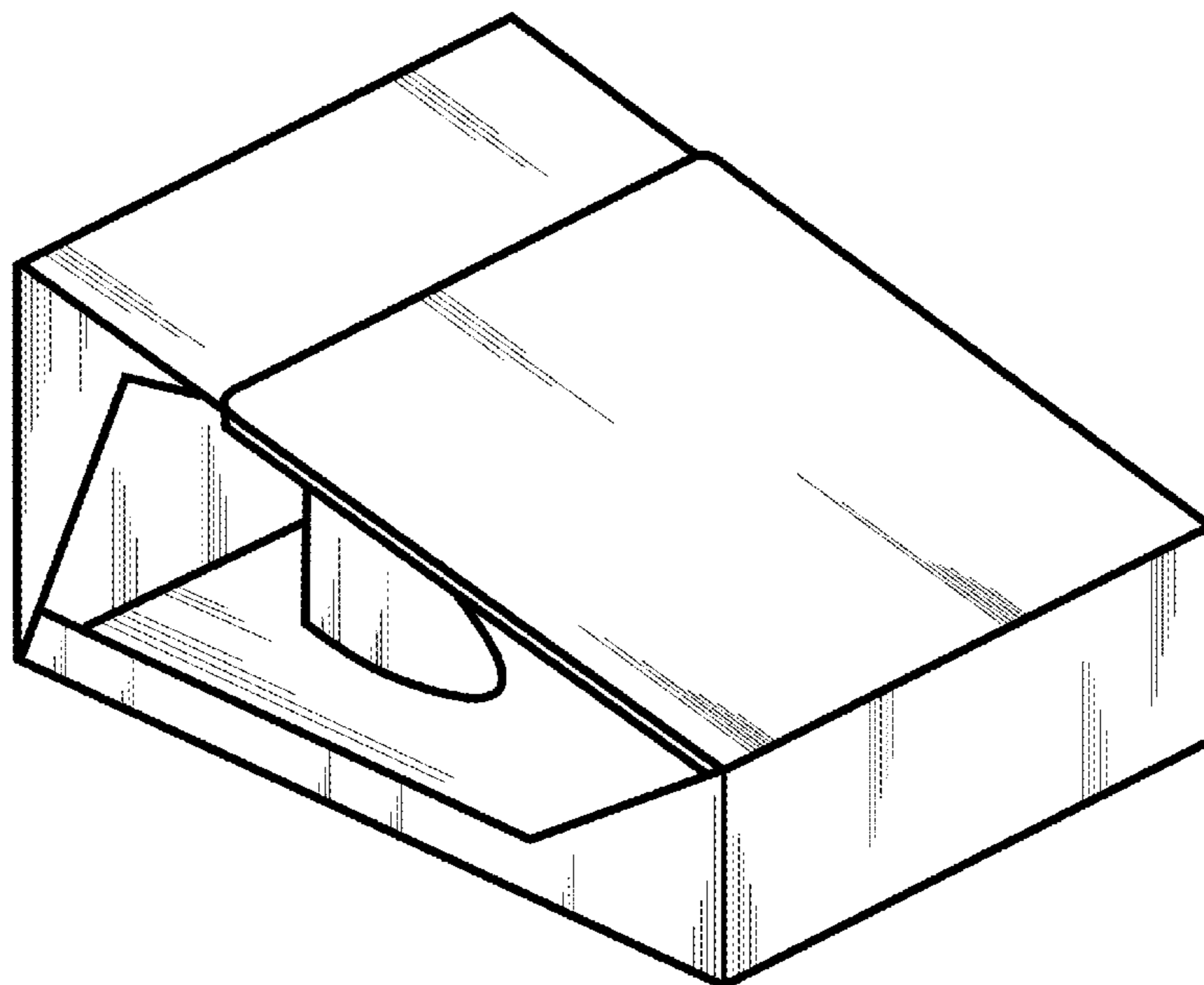
D429,085 S * 8/2000 Welty D6/673

D617,185 S * 6/2010 Wager D9/431

D700,070 S * 2/2014 Markovic D9/431

D700,510 S * 3/2014 McAdam D9/432

D701,455 S * 3/2014 Shepherd D9/418



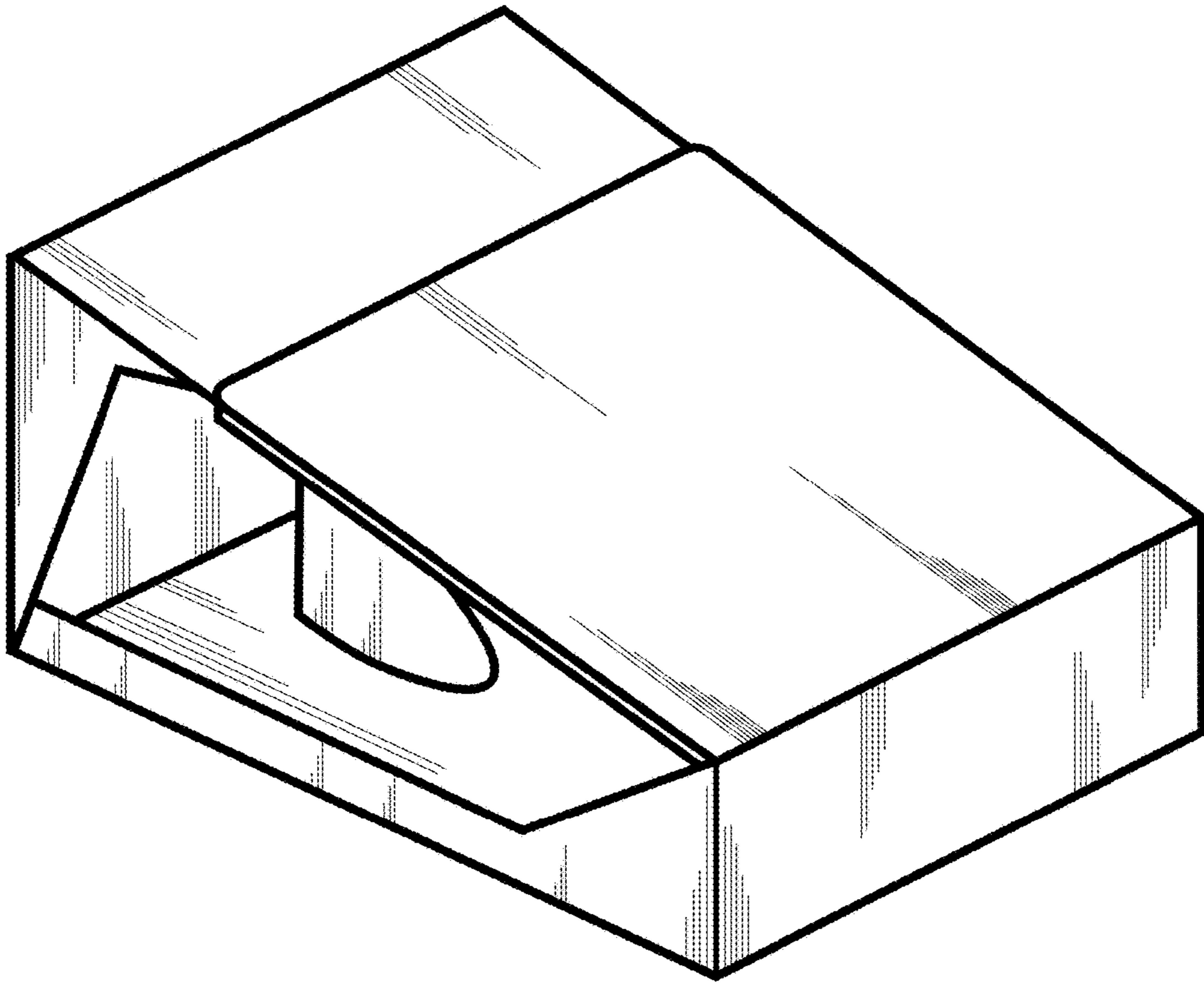


FIG. 1

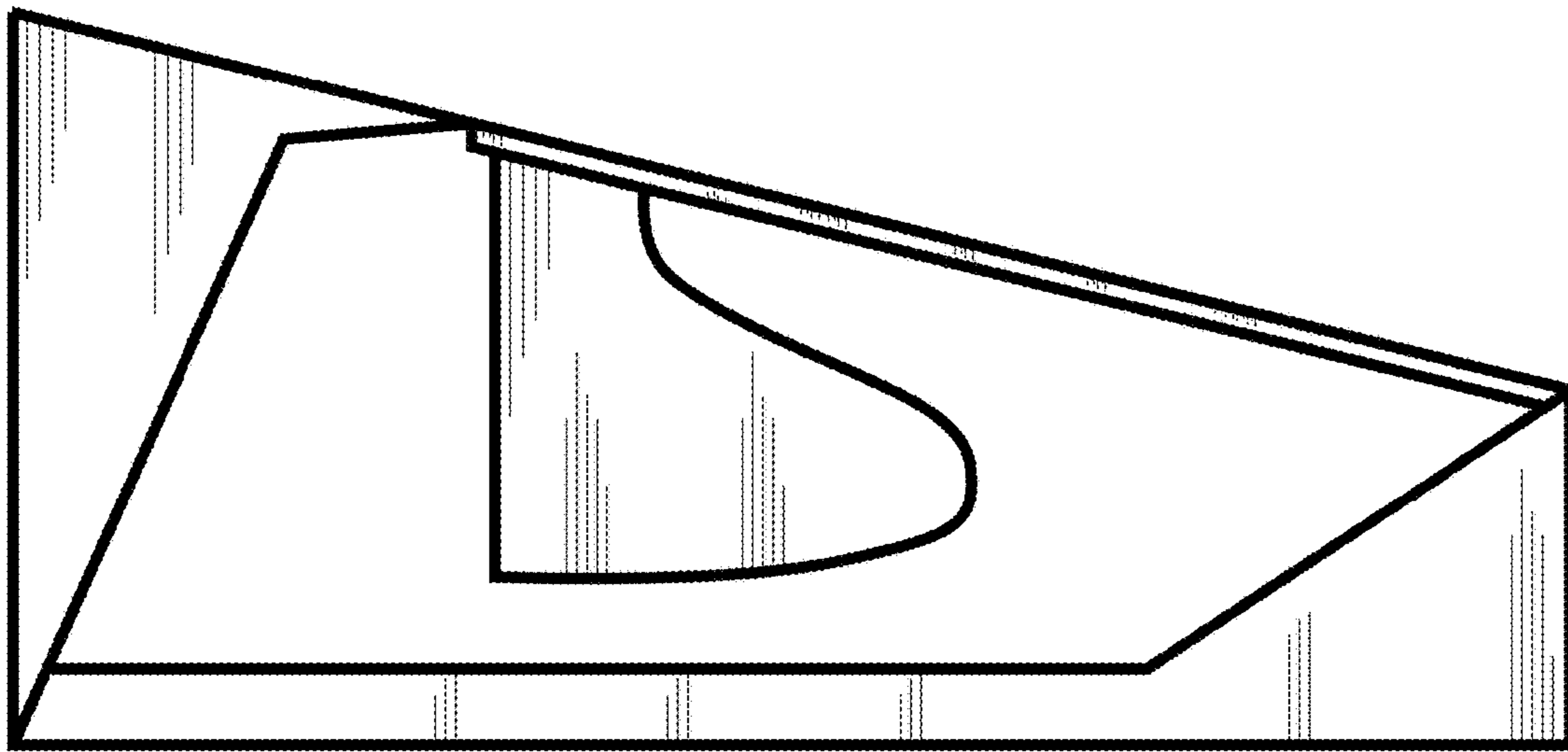


FIG. 2

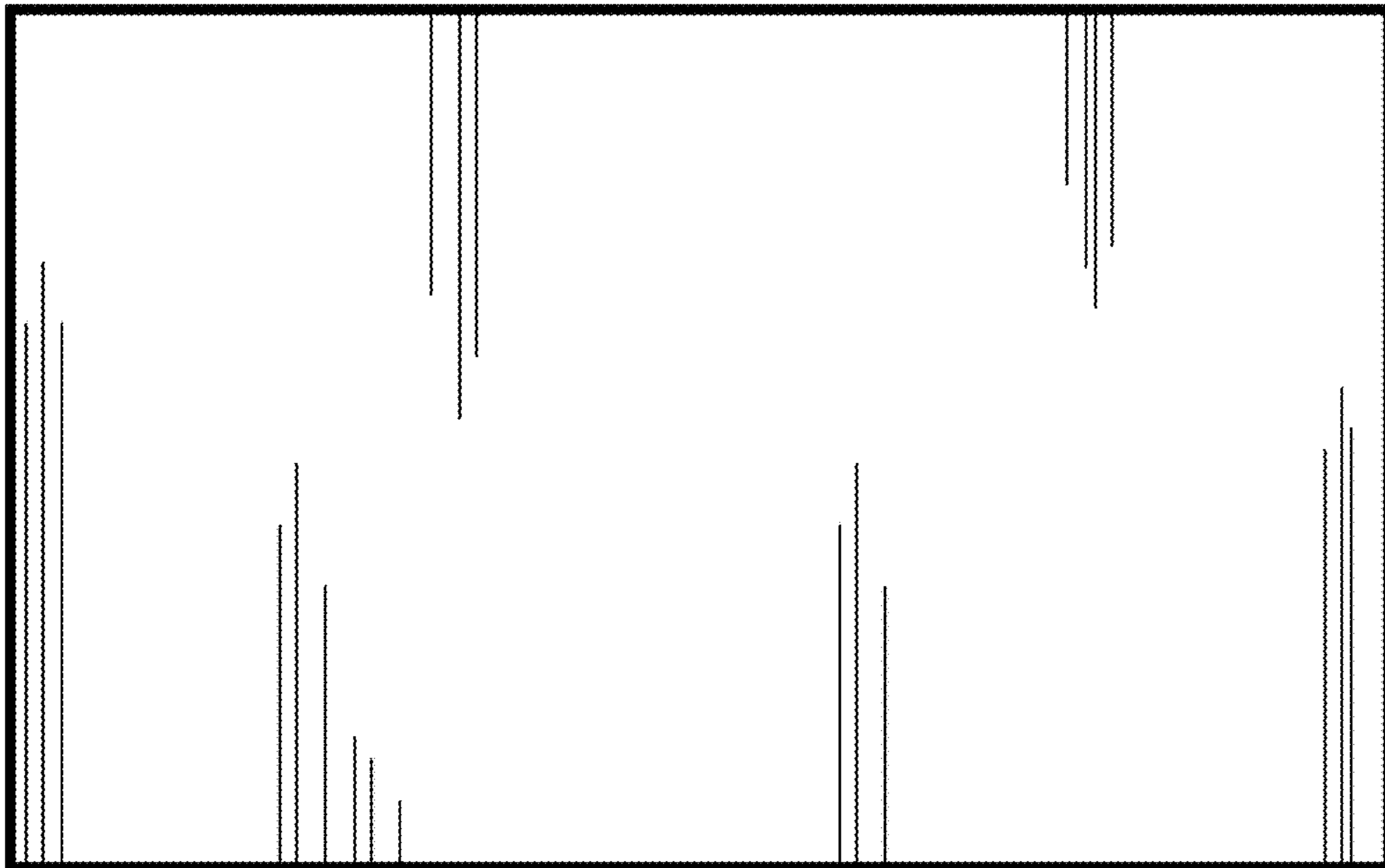


FIG. 3

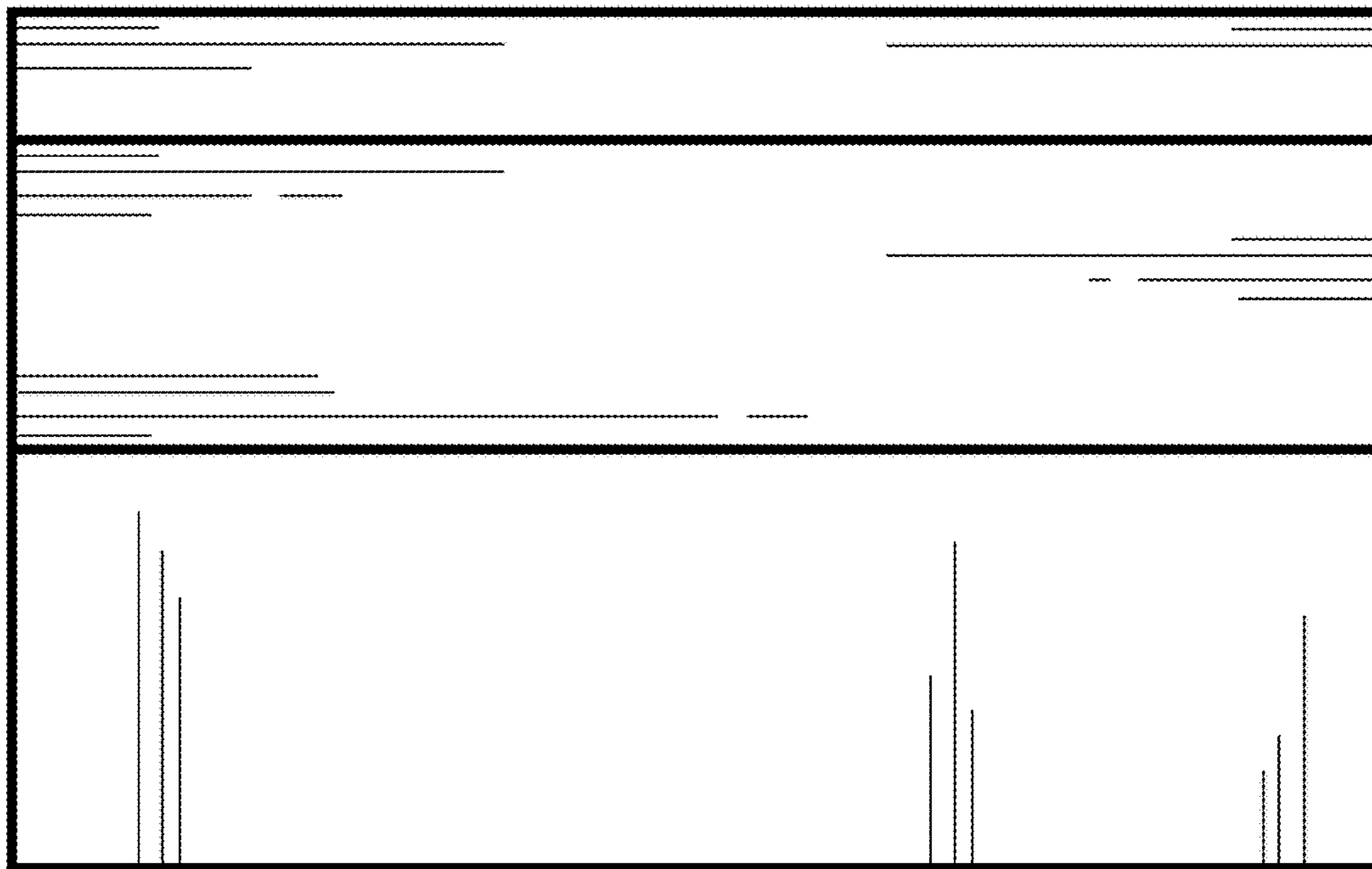


FIG. 4

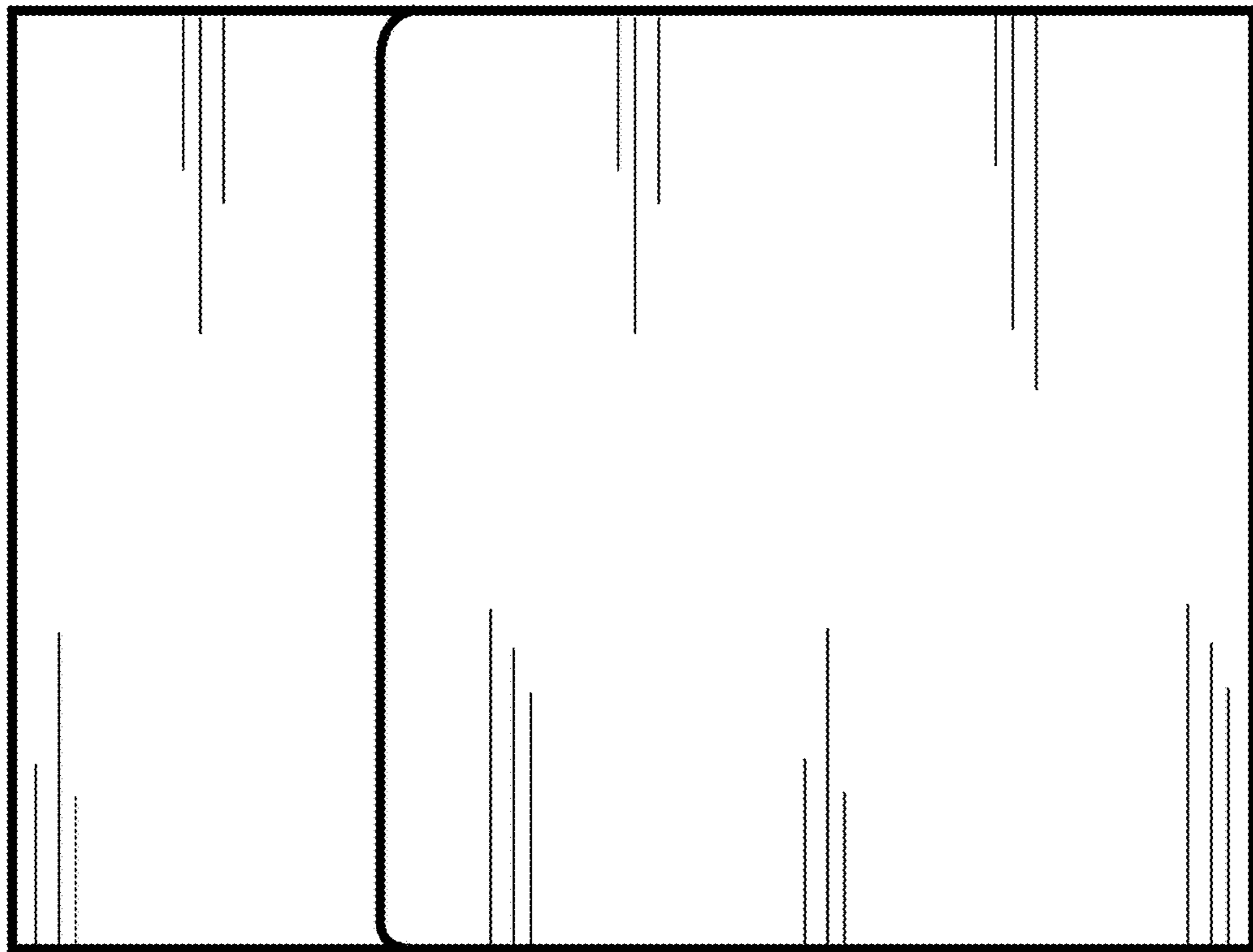


FIG. 5