



US00D821194S

(12) **United States Design Patent** (10) **Patent No.:** **US D821,194 S**  
**Van Wingerden** (45) **Date of Patent:** **\*\* Jun. 26, 2018**

(54) **PRODUCE BOWL** 2,548,910 A 4/1951 Rylander  
2,639,549 A 5/1953 Wubben et al.  
(71) Applicant: **Johannes Cornelious Van Wingerden,** 2,747,331 A 5/1956 Steiner  
Stevensburg, VA (US) 2,770,957 A \* 11/1956 Bronson ..... A47G 19/2283  
220/23.83  
(72) Inventor: **Johannes Cornelious Van Wingerden,** 2,791,273 A 5/1957 Brownell  
Stevensburg, VA (US) D187,184 S 2/1960 Tangney  
3,199,250 A 8/1965 Sawyer  
(Continued)

(\*\*) Term: **15 Years**

FOREIGN PATENT DOCUMENTS

(21) Appl. No.: **29/596,709**

DE 4020116101516-0001 4/2017  
EM 001257786-0001 2/2011

(22) Filed: **Mar. 10, 2017**

(Continued)

(51) **LOC (11) Cl.** ..... **09-03**

(52) **U.S. Cl.**

USPC ..... **D9/429**

(58) **Field of Classification Search**

USPC ..... D7/539-545, 629, 538, 602, 608, 641;  
D9/396.1, 414, 432, 761, 420, 424-426,  
D9/428, 429; 206/501-509; 220/781,  
220/791, 793, 811-813, 835, 839  
CPC ..... B65D 43/16; B65D 43/03; B65D 1/24;  
B65D 25/04; B65D 43/0212; B65D  
43/0208

See application file for complete search history.

OTHER PUBLICATIONS

English-language translation of WO 2014/199917 A1 (Year: 2014).  
(Continued)

*Primary Examiner* — Derrick E Holland  
*Assistant Examiner* — Janice Julia Patyk  
(74) *Attorney, Agent, or Firm* — Ali Sharifzadeh

(56) **References Cited**

(57) **CLAIM**

The ornamental design for a produce bowl, as shown and described.

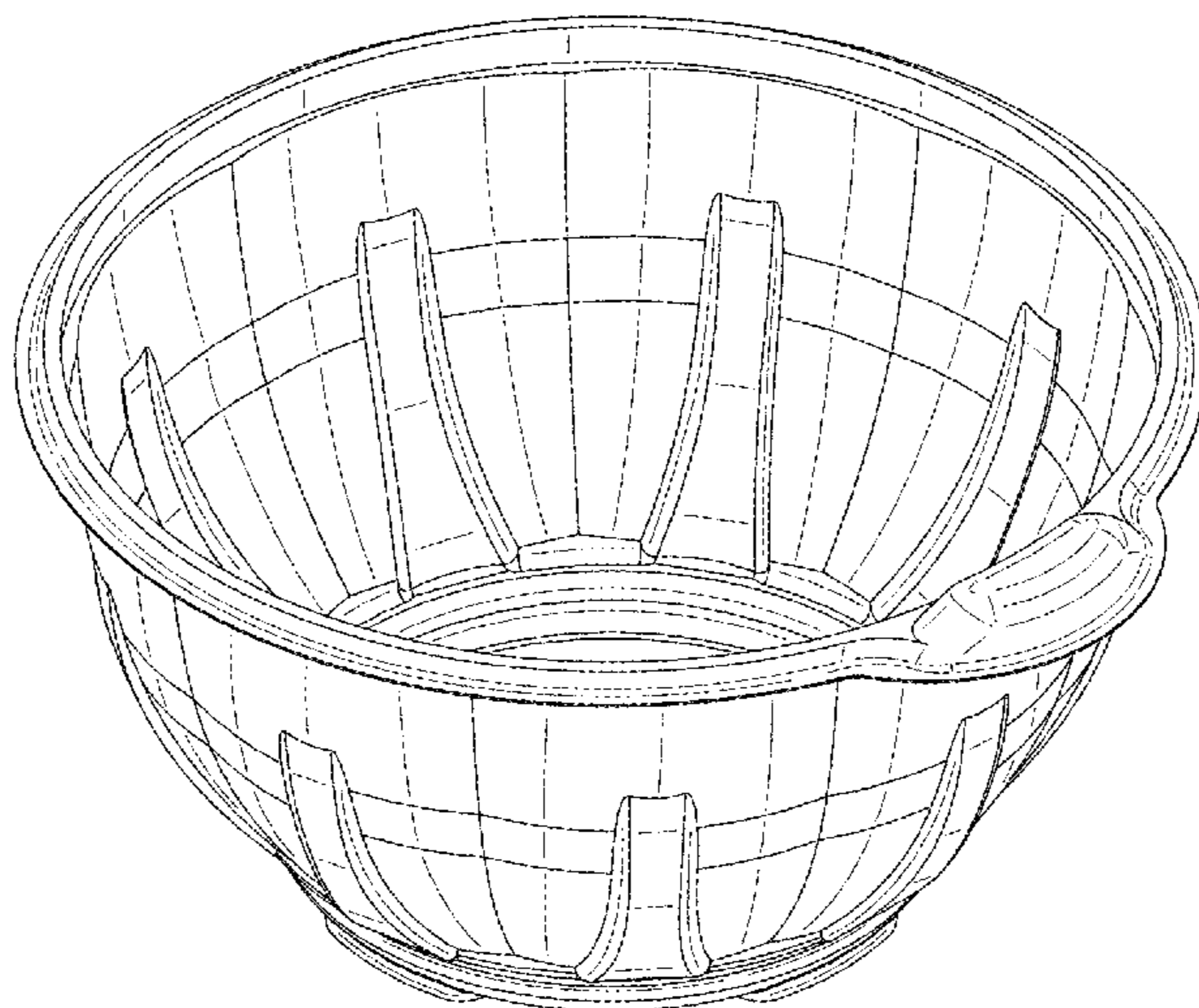
U.S. PATENT DOCUMENTS

D24,929 S 11/1895 Nichols  
D32,585 S 4/1900 Pessano  
1,601,259 A 9/1926 Pettigrew  
1,690,910 A 11/1928 Shapiro  
1,778,150 A 10/1930 Sture  
D82,957 S 12/1930 Rachlin  
D102,968 S \* 1/1937 Farber ..... 220/23.83  
2,090,325 A 8/1937 Deubel  
2,164,060 A 6/1939 Gerner  
2,205,303 A 6/1940 Munsell  
2,231,749 A 2/1941 Damerell  
RE21,820 E 6/1941 Munsell  
2,276,376 A 3/1942 Deubel  
2,312,582 A 3/1943 Patrick

**DESCRIPTION**

FIG. 1 is perspective view of a produce bowl showing our new design;  
FIG. 2 is a perspective view of the produce bowl in FIG. 1;  
FIG. 3 is a right side view of the produce bowl in FIG. 1, the left side view being a mirror image thereof;  
FIG. 4 is a back view of the produce bowl in FIG. 1, the front view being a mirror image thereof;  
FIG. 5 is a top view of the produce bowl in FIG. 1; and,  
FIG. 6 is a bottom view of the produce bowl in FIG. 1.

**1 Claim, 6 Drawing Sheets**



(56)

References Cited

U.S. PATENT DOCUMENTS

3,288,340 A	11/1966	Shapiro et al.		D489,209 S	5/2004	Goldberg	
3,300,895 A	1/1967	Dosedla et al.		6,814,250 B1	11/2004	Madsen	
D217,247 S	4/1970	Brown		D507,204 S	7/2005	Chang	
3,650,521 A	3/1972	Meli		6,928,772 B2	8/2005	Bai et al.	
3,766,684 A	10/1973	Kato		6,948,349 B2	9/2005	Gorski et al.	
3,826,349 A	7/1974	Stevenson		6,964,128 B2	11/2005	Yasuda	
3,879,889 A	4/1975	Schmid		D512,877 S *	12/2005	Vovan .....	D7/602
3,911,632 A	10/1975	Bryfogle et al.		7,000,351 B2	2/2006	Baumann	
3,913,758 A	10/1975	Faircloth et al.		7,076,921 B2	7/2006	Spradlin	
3,965,616 A	6/1976	Ridgeway		7,171,781 B1	2/2007	Southern	
3,975,860 A	8/1976	Harned et al.		7,171,783 B1	2/2007	Fidotti	
3,973,353 A	10/1976	Dedolph		D541,148 S *	4/2007	Gross .....	D9/425
4,006,557 A	2/1977	Sawyer		7,210,266 B2	5/2007	Henry et al.	
4,028,847 A	6/1977	Davis et al.		D552,218 S	10/2007	Allredge	
4,035,950 A	7/1977	Anselm		7,340,863 B1	3/2008	Dressler	
4,048,754 A	9/1977	Laux		7,412,798 B2	8/2008	Boxsell	
4,057,931 A	11/1977	Stutelberg et al.		7,506,472 B2	3/2009	Leyns et al.	
4,118,891 A	10/1978	Kehl et al.		7,533,493 B2	5/2009	Brusatore	
4,145,841 A	3/1979	Woolpert		7,610,717 B2	11/2009	Luken et al.	
4,160,342 A	7/1979	Dryer		7,624,535 B2	12/2009	Schmidt	
4,179,846 A	12/1979	Carlisle		7,690,150 B2 *	4/2010	Orschulik .....	A01G 9/04 47/66.1
4,198,784 A	4/1980	Sukert		D614,994 S	5/2010	DiPaolo et al.	
4,216,618 A	8/1980	Davis et al.		7,730,672 B2	6/2010	Knudson et al.	
4,236,353 A	12/1980	Sorenson		7,832,144 B2	11/2010	Corradi	
4,279,101 A	7/1981	Leroux		7,874,102 B2	1/2011	Hilbert	
4,312,152 A	1/1982	Drury et al.		D631,683 S	2/2011	Ash et al.	
4,315,382 A *	2/1982	Kay .....	A01G 9/042 47/71	7,972,840 B2	7/2011	Hasegawa et al.	
D263,291 S	3/1982	Paton		D666,524 S *	9/2012	Aoyama .....	D11/153
4,324,069 A	4/1982	Flagg		D673,054 S *	12/2012	Kim .....	D9/428
4,407,092 A	10/1983	Ware		D674,889 S	1/2013	Mims	
4,476,651 A	10/1984	Drury		D677,156 S *	3/2013	Wu .....	D9/429
4,557,070 A	12/1985	Oyama		8,474,179 B2	7/2013	Jung	
4,578,898 A	4/1986	Greenbaum		D688,891 S	9/2013	Caruso	
4,604,837 A	8/1986	Beam		8,549,788 B2	10/2013	Bryan, III	
4,715,144 A	12/1987	Lee		D708,506 S	7/2014	Wu	
4,837,973 A	6/1989	Snekkenes		D718,847 S	12/2014	Haley et al.	
D311,589 S	10/1990	Benchimol et al.		D718,876 S	12/2014	Smedberg	
4,978,023 A	12/1990	Behlmann et al.		D719,084 S	12/2014	Kruse	
4,989,365 A	2/1991	Roger		8,984,807 B2	3/2015	Hansen et al.	
5,010,686 A	4/1991	Rivest		D726,888 S	4/2015	Johansen	
5,117,581 A	6/1992	Green et al.		9,038,312 B2	5/2015	Harbaugh	
5,125,184 A	6/1992	Anderson		D736,900 S	8/2015	Frelier	
5,131,185 A	7/1992	Van Wingerden		9,220,207 B2	12/2015	Storey	
5,168,664 A	12/1992	Deutschmann, Sr.		9,341,266 B1	5/2016	Vivatson	
5,201,141 A	4/1993	Ahm		9,510,524 B2	12/2016	Anderson et al.	
5,225,342 A	7/1993	Farrell		9,534,391 B2	1/2017	Haley et al.	
5,282,335 A	2/1994	Holtkamp, Jr.		9,534,842 B1	1/2017	Rivera et al.	
5,323,567 A	6/1994	Nakayama et al.		D789,499 S	6/2017	Slorach	
D351,668 S	10/1994	Lim et al.		9,795,089 B2	10/2017	Kantola et al.	
5,385,589 A	1/1995	Kratky		2005/0086861 A1	4/2005	Atchley	
5,459,960 A	10/1995	Manlove		2005/0274073 A1	12/2005	Brooke et al.	
5,491,998 A	2/1996	Hansen		2006/0150497 A1	7/2006	Kaprielian	
5,533,299 A	7/1996	Kratky		2006/0288640 A1	12/2006	Leithold	
D376,307 S	12/1996	Burgasser et al.		2008/0230010 A1	9/2008	Buck	
5,586,656 A	12/1996	Abrums		2008/0302010 A1	12/2008	Cordon	
D385,507 S	10/1997	Hulsebus		2009/0056215 A1	3/2009	Yang	
5,761,848 A	6/1998	Manlove		2009/0151269 A1	6/2009	Eiger et al.	
5,806,241 A	9/1998	Byland et al.		2009/0166369 A1 *	7/2009	Savicki .....	B65D 43/0218 220/781
5,826,375 A	10/1998	Black		2009/0241417 A1 *	10/2009	Smith .....	A01G 9/02 47/66.2
5,911,659 A	6/1999	Serano		2010/0170154 A1	6/2010	Ahn	
5,930,951 A	8/1999	Wong		2011/0114800 A1	5/2011	Gramling	
6,070,360 A	6/2000	Liao et al.		2011/0138698 A1	6/2011	Neumann	
6,138,411 A	10/2000	Lin		2012/0180818 A1	7/2012	Janesky	
6,161,332 A	12/2000	Avot		2012/0324787 A1	12/2012	Daas et al.	
6,233,870 B1	5/2001	Horibata		2013/0056475 A1	3/2013	Buck	
D446,157 S	8/2001	Glenn		2013/0133252 A1	5/2013	Harbaugh	
D448,862 S	10/2001	Kieffer		2014/0041297 A1	2/2014	Miel et al.	
6,298,600 B1	10/2001	Feldman		2014/0215919 A1	8/2014	Harbaugh	
6,336,292 B1	1/2002	Boxsell		2014/0223818 A1	8/2014	Coghlan	
D454,180 S	3/2002	Wessels		2015/0040474 A1	2/2015	Lee et al.	
D468,812 S	1/2003	Doyle et al.		2015/0068121 A1	3/2015	Probst et al.	
6,526,693 B2	3/2003	Cochran		2015/0082692 A1	3/2015	Wardenburg et al.	
6,574,917 B2	6/2003	Boxsell		2015/0184393 A1	7/2015	Conner	
D483,443 S	12/2003	Forsberg		2015/0216131 A1	8/2015	Van Wingerden	
				2015/0237807 A1	8/2015	Valiquette	
				2015/0305261 A1	10/2015	Wilson et al.	

(56)

**References Cited**

OTHER PUBLICATIONS

U.S. PATENT DOCUMENTS

2015/0342127 A1 12/2015 Gallant  
 2016/0136831 A1 3/2016 Bonnet et al.  
 2016/0100535 A1 4/2016 Daugirdas  
 2016/0183486 A1 6/2016 Kabakov  
 2016/0192607 A1 7/2016 Kitagawa  
 2016/0223418 A1 8/2016 Wüest et al.  
 2016/0376790 A1 12/2016 Yildiz  
 2017/0086399 A1 3/2017 Anderson et al.  
 2017/0119971 A1 5/2017 Marsh et al.  
 2017/0231167 A1 8/2017 Storey  
 2017/0254088 A1 9/2017 Axford

FOREIGN PATENT DOCUMENTS

EP 1407987 A1 4/2004  
 GB 2077082 A 12/1981  
 JP H03 127919 A 5/1991  
 WO WO-2014/199917 A1 12/2014

Large and Small Mask Clicker Dies from ScrapWorksArmory on Etsy Studio, website 2017, <https://www.etsystudio.com/listing/231288759/large-and-small-mask-clicker-dies>, [visited Sep. 11, 2017].

Old-Fashioned Cast Iron Shelf Bracket—Signature Hardware, <http://www.signaturehardware.com/old-fashioned-cast-iron-shelf-bracket.html#pr-header-back-to-top-link>, [visited Sep. 11, 2017].

Steel Rule Dies & Clicker Dies, website 2006, <http://swansondie.com/clicker.htm>, [visited Sep. 11, 2017].

Autopot Irrigation Watering System Parts/Spare Accessories Connectors Hydro IWS | eBay, <http://www.ebay.com/itm/Autopot-Irrigation-Watering-System-Parts-Accessories-Connectors-Hydro-ponic-/121502209218>, [visited Sep. 15, 2017].

“International Search Report and Written Opinion Issued in PCT Application No. PCT/US2017/044031”, dated Apr. 20, 2018, 14 Pages.

\* cited by examiner

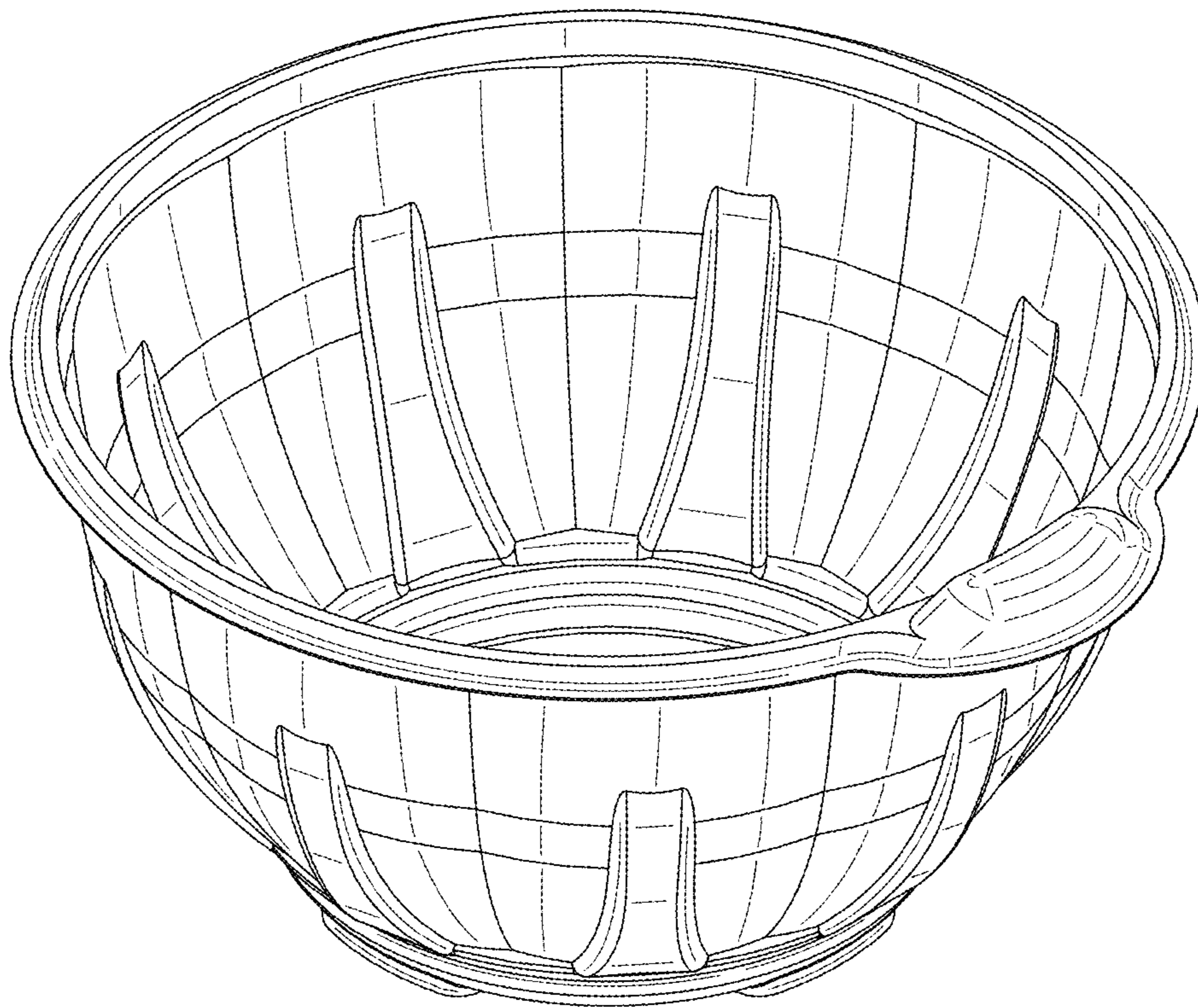


FIG. 1

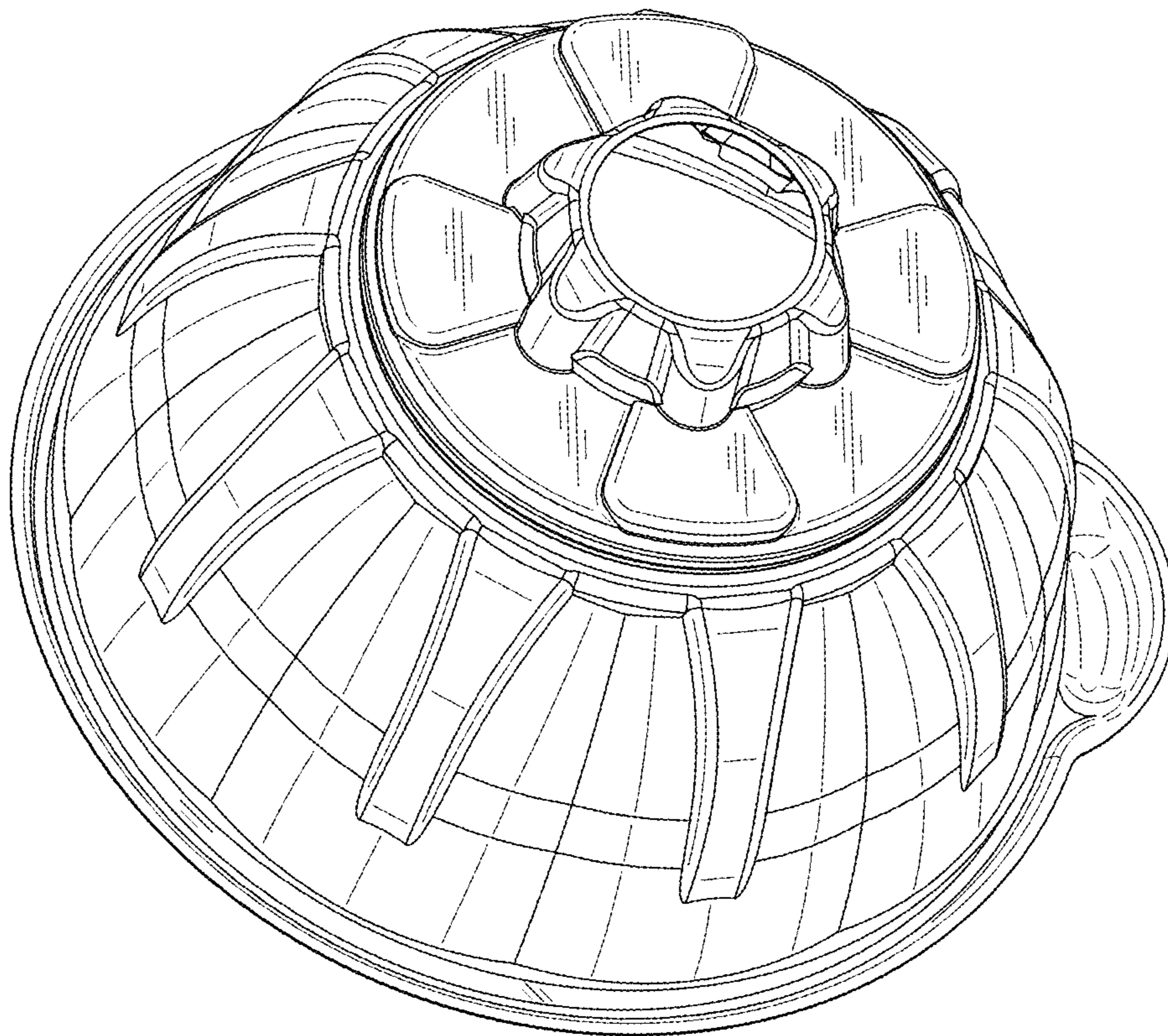


FIG. 2

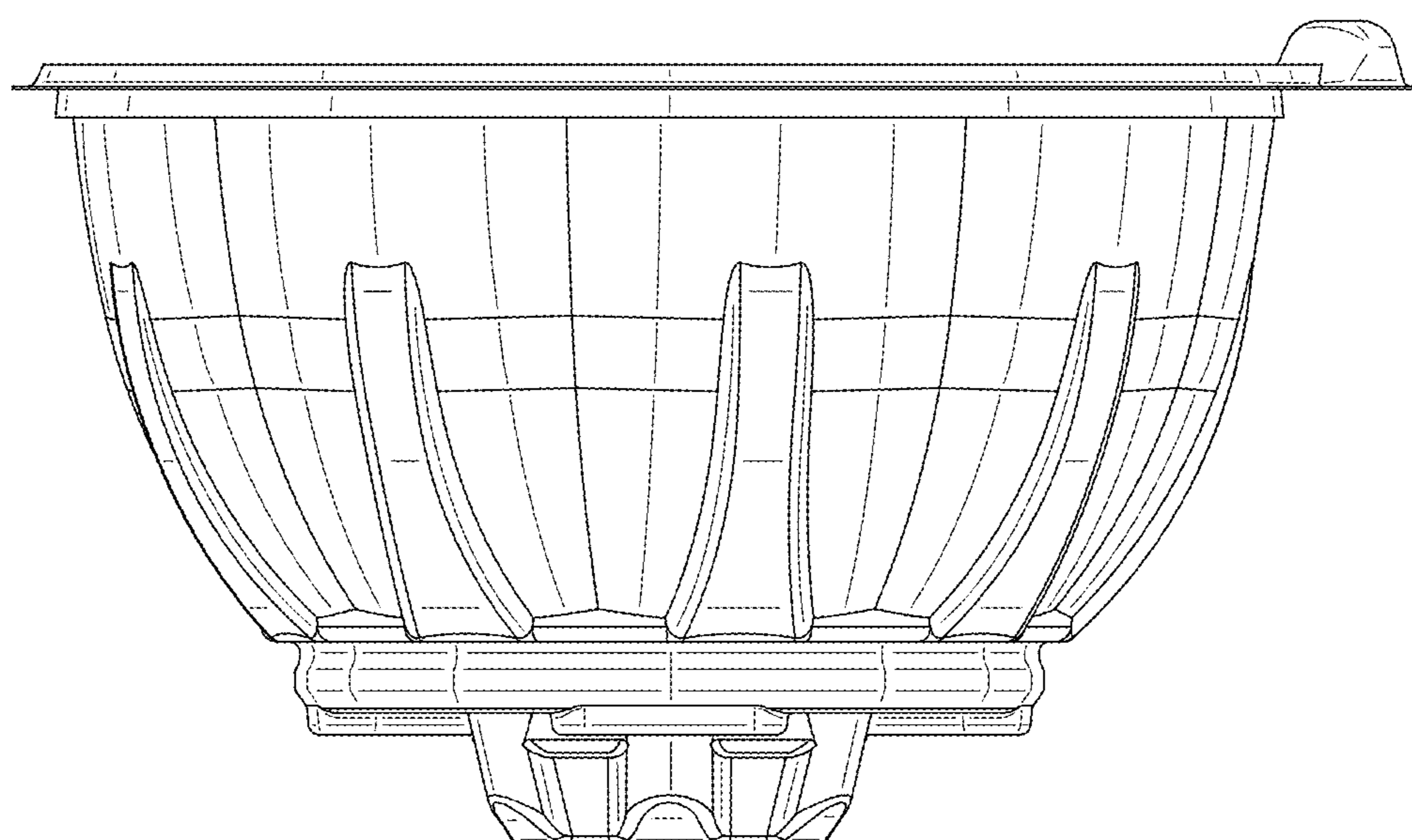


FIG. 3

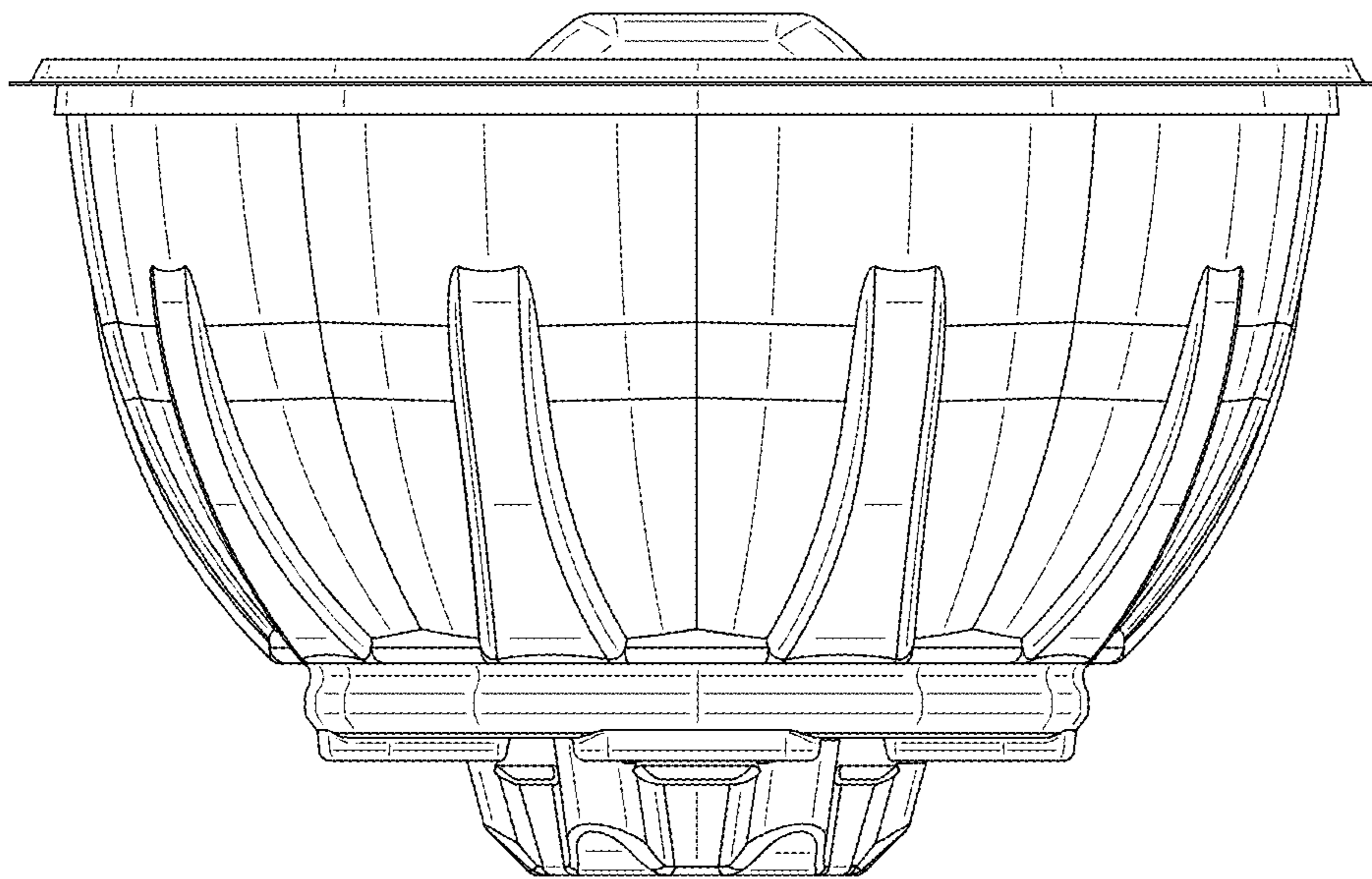


FIG. 4

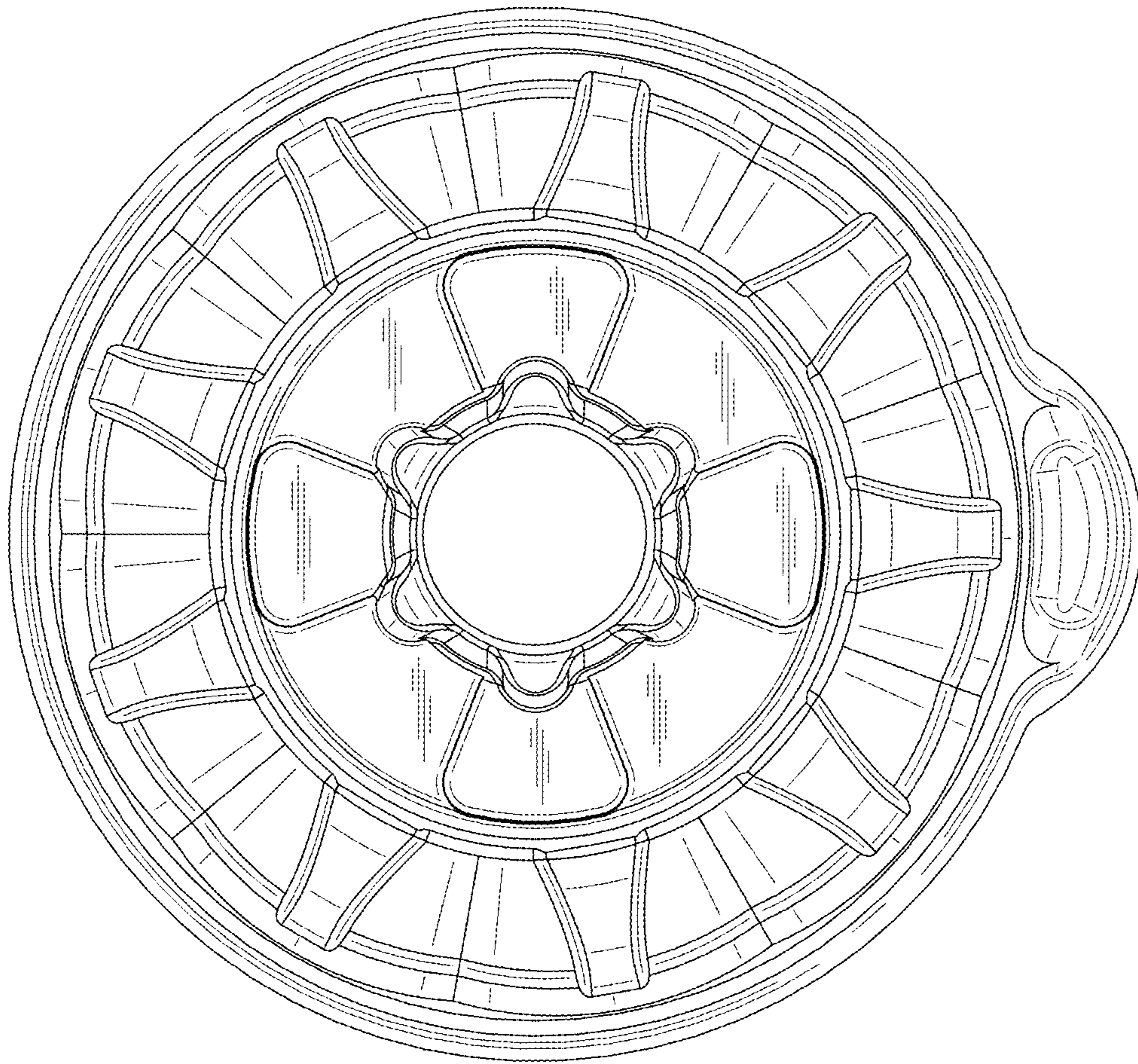


FIG. 5



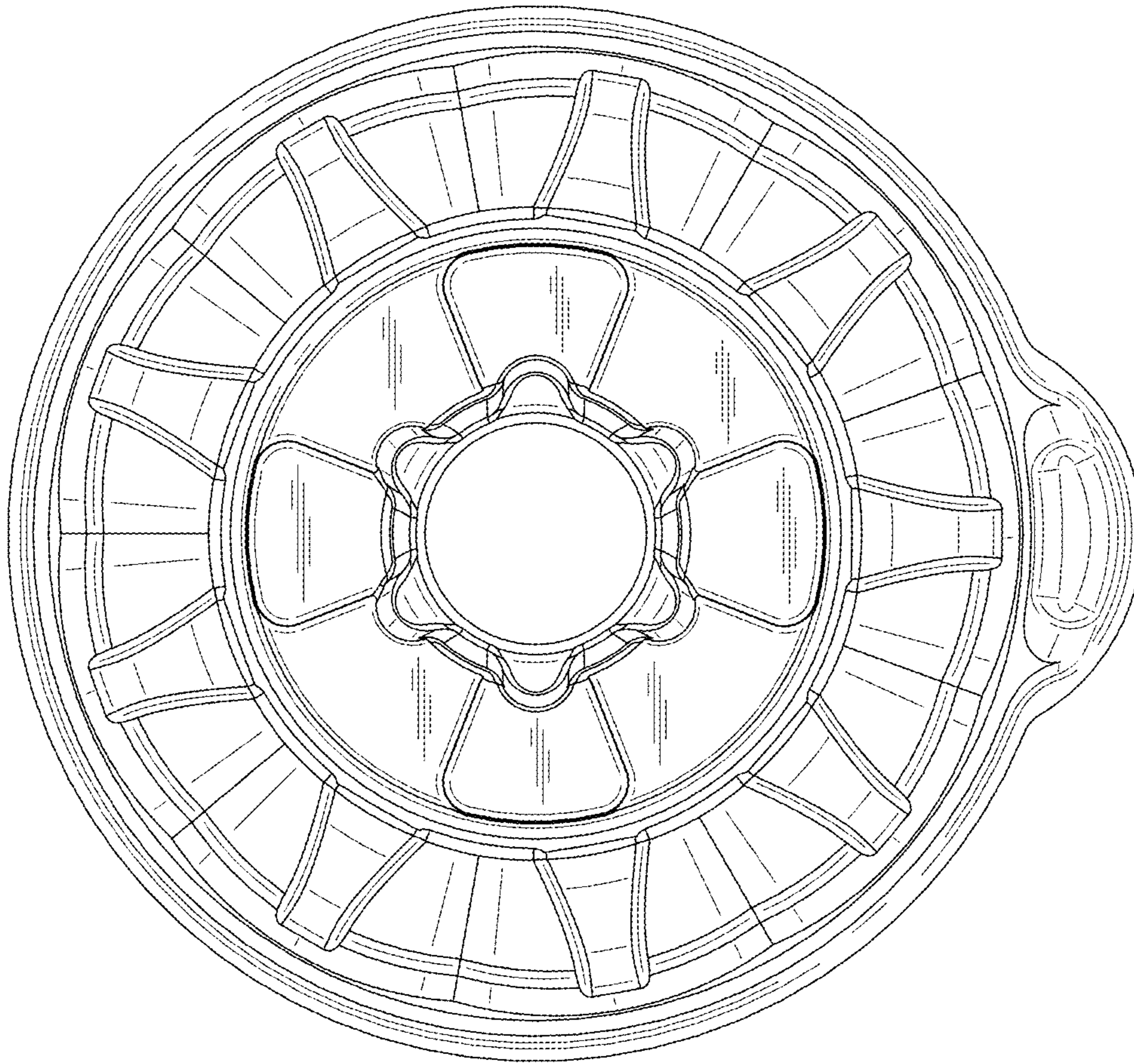


FIG. 6