



US00D821191S

(12) **United States Design Patent** (10) **Patent No.:** **US D821,191 S**
Hancock (45) **Date of Patent:** **** Jun. 26, 2018**

(54) **WALL PROTECTOR**
(71) Applicant: **Tate D. Hancock**, Wichita, KS (US)
(72) Inventor: **Tate D. Hancock**, Wichita, KS (US)
(**) Term: **15 Years**
(21) Appl. No.: **29/590,718**
(22) Filed: **Jan. 12, 2017**
(51) **LOC (11) Cl.** **08-09**
(52) **U.S. Cl.**
USPC **D8/402**
(58) **Field of Classification Search**
USPC D8/380, 381, 400, 402, 499
CPC E04F 19/026; E04F 11/1804; A47B 95/00;
A47B 97/00
See application file for complete search history.

(56) **References Cited**

U.S. PATENT DOCUMENTS

D89,325 S * 2/1933 Wolfman D8/400
D235,620 S * 7/1975 Forseth 174/38
D288,525 S * 3/1987 Angle D8/352
D324,170 S * 2/1992 Owens D8/402
D352,889 S * 11/1994 Crowther D8/400
D368,022 S * 3/1996 Angle D8/402
D379,922 S * 6/1997 Adams D8/402
D403,750 S * 1/1999 Fabian D23/254
D412,106 S * 7/1999 Kennard, IV D8/402
D481,652 S * 11/2003 Kamysiak D11/130
6,938,966 B1 * 9/2005 Rouwhorst A47B 87/008
312/111
D553,487 S * 10/2007 Quan D8/402
D741,690 S * 10/2015 Collins, IV D8/354
D743,852 S * 11/2015 Rouzaud D12/167
D772,695 S * 11/2016 Burge D8/353
D772,696 S * 11/2016 Burge D8/353
D783,386 S * 4/2017 Collins, IV D8/354
2004/0129186 A1 * 7/2004 Curiger A47B 13/021
108/157.16

2004/0221539 A1* 11/2004 Rouail E04F 19/026
52/716.1
2008/0135567 A1* 6/2008 McGee A47B 97/00
220/694
2012/0023707 A1* 2/2012 Edwards B62B 15/00
16/42 R
2016/0352054 A1* 12/2016 Xiang F16M 11/12
(Continued)

OTHER PUBLICATIONS

Baby Gate Wall Cups, posted at amazon.com, posting date not given, [online], [site visited Mar. 23, 2018]. Available from Internet, URL : <https://www.amazon.com/Bumpers-Doorway-Baseboard-Pressure/Mounted/dp/B01L8B1RZG/> (Year: 2018).*
(Continued)

Primary Examiner — George D. Kirschbaum
Assistant Examiner — Maria J Edwards
(74) *Attorney, Agent, or Firm* — Law Office of Mark Brown, LLC; Christopher M. DeBacker

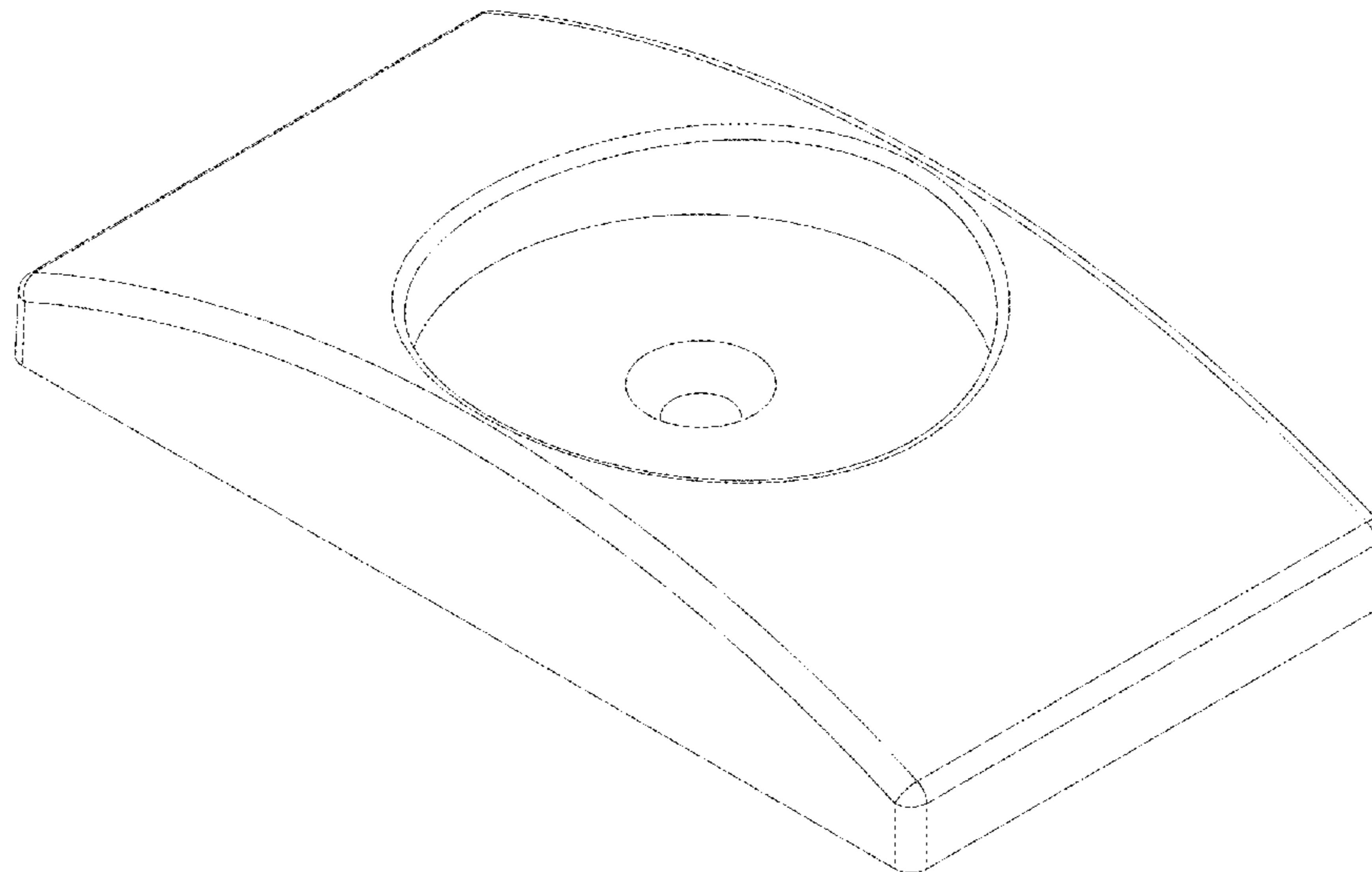
(57) **CLAIM**

The ornamental design for a wall protector, as shown and described.

DESCRIPTION

FIG. 1 is a front isometric view of a wall protector according to the present design.
FIG. 2 is a top plan view thereof;
FIG. 3 is a front elevational view thereof, the rear elevational view being a mirror image of FIG. 3;
FIG. 4 is a right side elevational view thereof, the left side view being a mirror image of FIG. 4;
FIG. 5 is a rear isometric view thereof; and,
FIG. 6 is a bottom plan view thereof, wherein the elements depicted by broken lines form no part of the claimed design.

1 Claim, 5 Drawing Sheets



(56)

References Cited

U.S. PATENT DOCUMENTS

2017/0231399 A1* 8/2017 Backus, III A47C 19/02
5/663

OTHER PUBLICATIONS

Baby Gate Wall Protector Cups, posted at amazon.com, posting date not given, [online], [site visited Mar. 23, 2018]. Available from Internet, URL: <https://www.amazon.com/dp/B077M5ZD8L/> (Year: 2018).*

Low-Profile Wall Nanny, posted at amazon.com, posting date Aug. 8, 2017, [online], [site visited Mar. 23, 2018]. Available from Internet, URL: <https://www.amazon.com/dp/B073XNMDNX/> (Year: 2017).*

Pressure Gate Wall Protector with Motion Sensor LED Nightlight, posting date not given, [online], [site visited Mar. 23, 2018]. Available from Internet, URL: <https://www.amazon.com/Indoor-Pressure-Protector-Motion-Nightlight/dp/B06X16W1ZX> (Year: 2018).*

Prime Line Hexagon Wall Protector, posted at homedepot.com, posting date not given, [online], [site visited Mar. 23, 2018].

Available from Internet, URL: <https://www.homedepot.com/p/Prime-Line-5-in-Hexagon-Wall-Protector-U-9140/100546208> (Year: 2018).*

Wall Guard for Pressure Gates, posted at amazon.com, posting date not given, [online], [site visited Mar. 23, 2018]. Available from Internet, URL: <https://www.amazon.com/dp/B01MXYINK5/> (Year: 2018).*

Wall Nanny, posted at amazon.com, posting date Jan. 20, 2017, [online], [site visited Mar. 23, 2018]. Available from Internet, URL: <https://www.amazon.com/Wall-Nanny-Pack-Protector-Spindles/dp/B06XK2T96P/> (Year: 2017).*

Wall Protector 2x2, posted at hdsupplysolutions.com, posting date not given, [online], [site visited Mar. 23, 2018]. Available from Internet, URL: <https://hdsupplysolutions.com/shop/p/wall-protector-2-x-2-self-adhesive-ivory-package-of-5-p807851> (Year: 2018).*

“Wall Saver for Pressure Gates, 2 Pack, by Safety Innovations”, www.amazon.com product search, https://www.amazon.com/Wall-Saver-Pressure-Gates-Pack/dp/B00RYWO8BY/ref=sr_1_6_a_it?e=UTF8&qid=1484754901&sr=8-6&keywords=wall+saver, Jan. 18, 2017, 1-14.

* cited by examiner

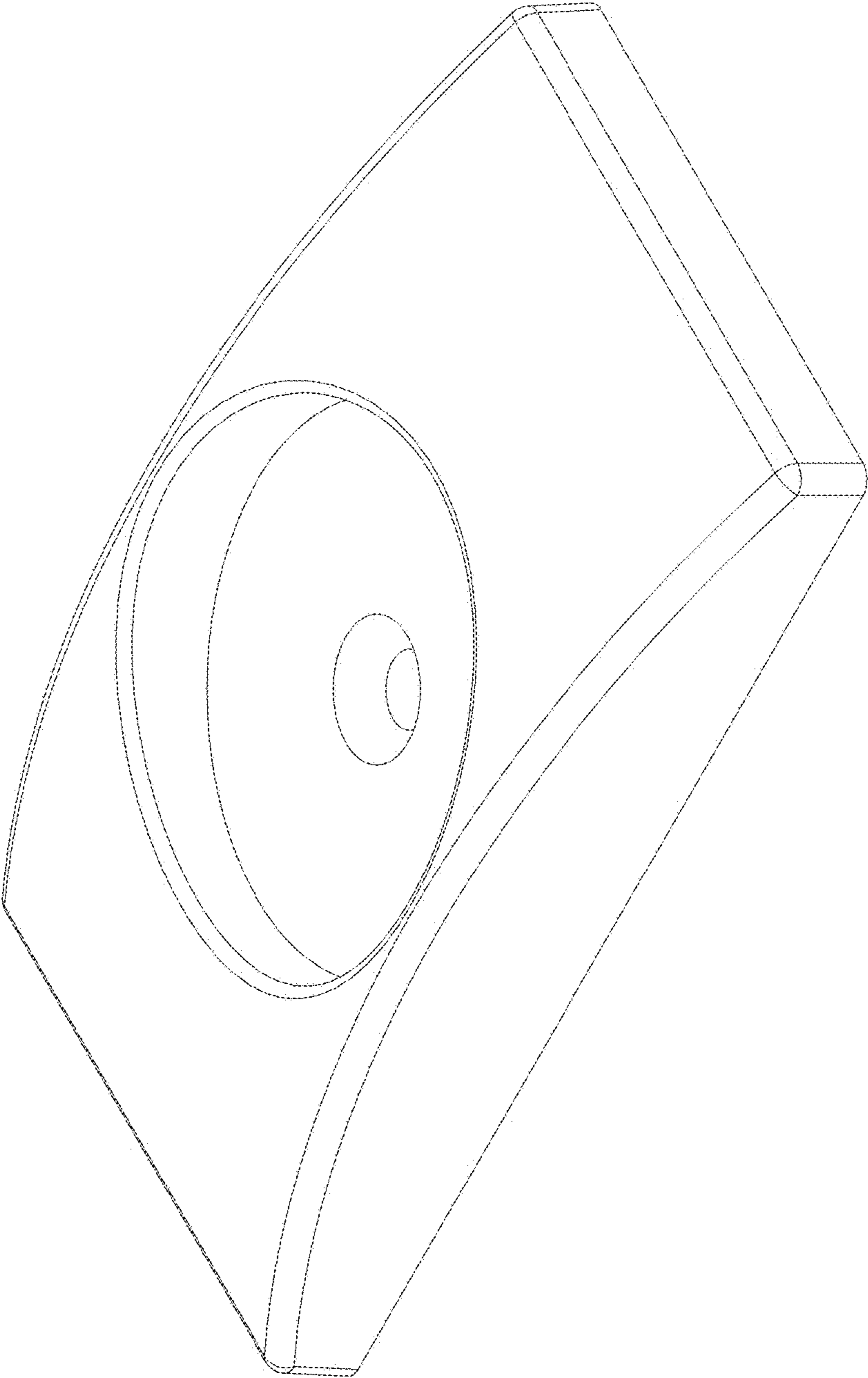


FIG. 1

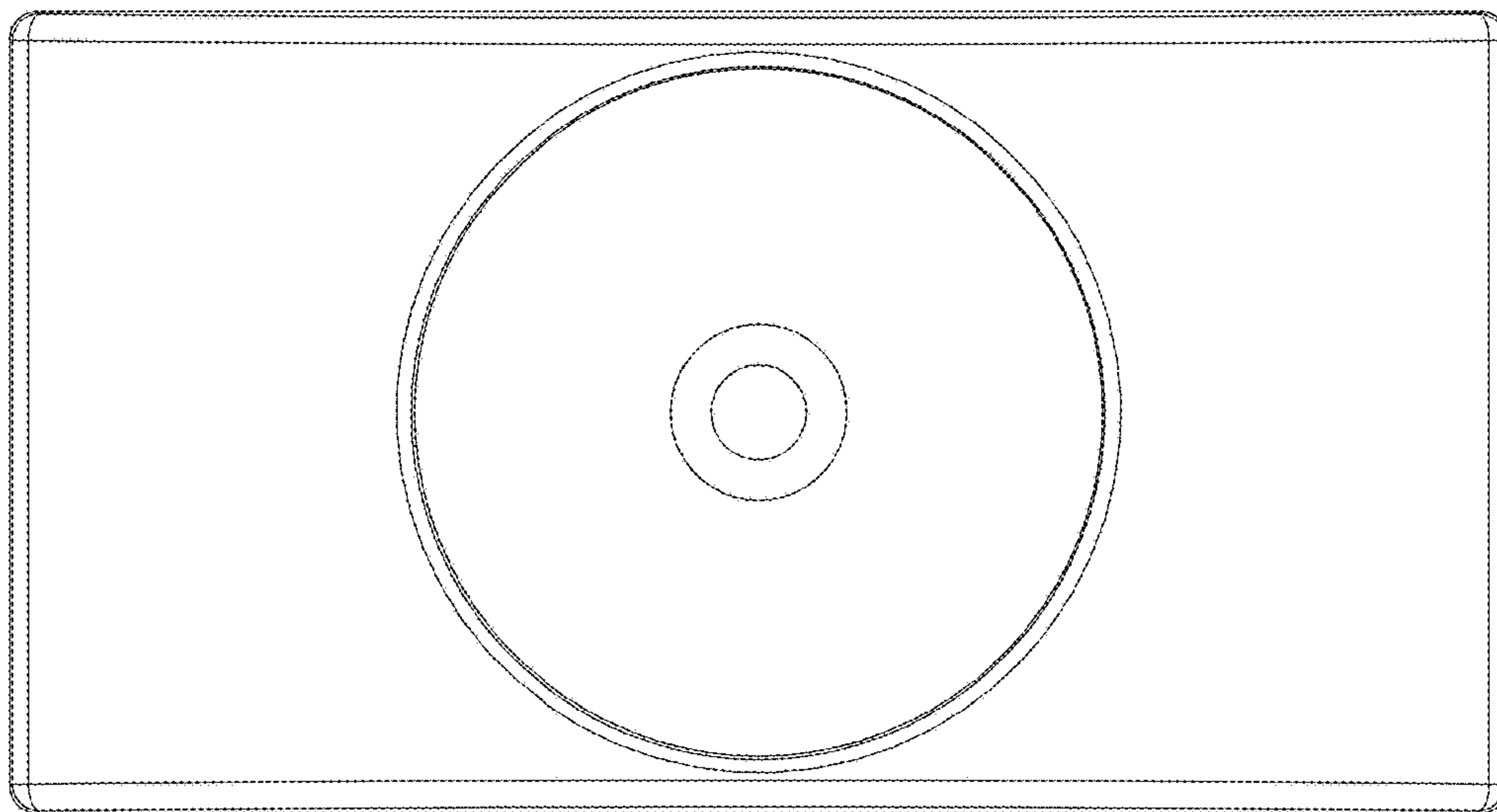


FIG. 2

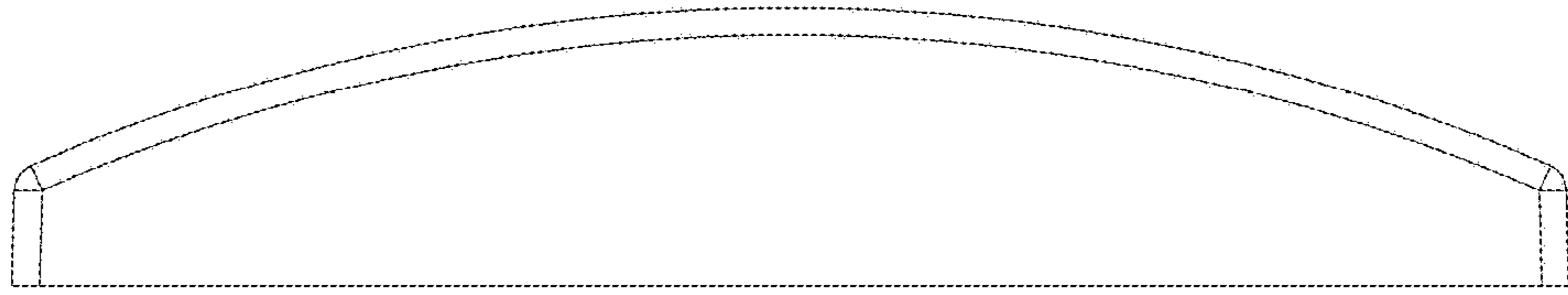


FIG. 3

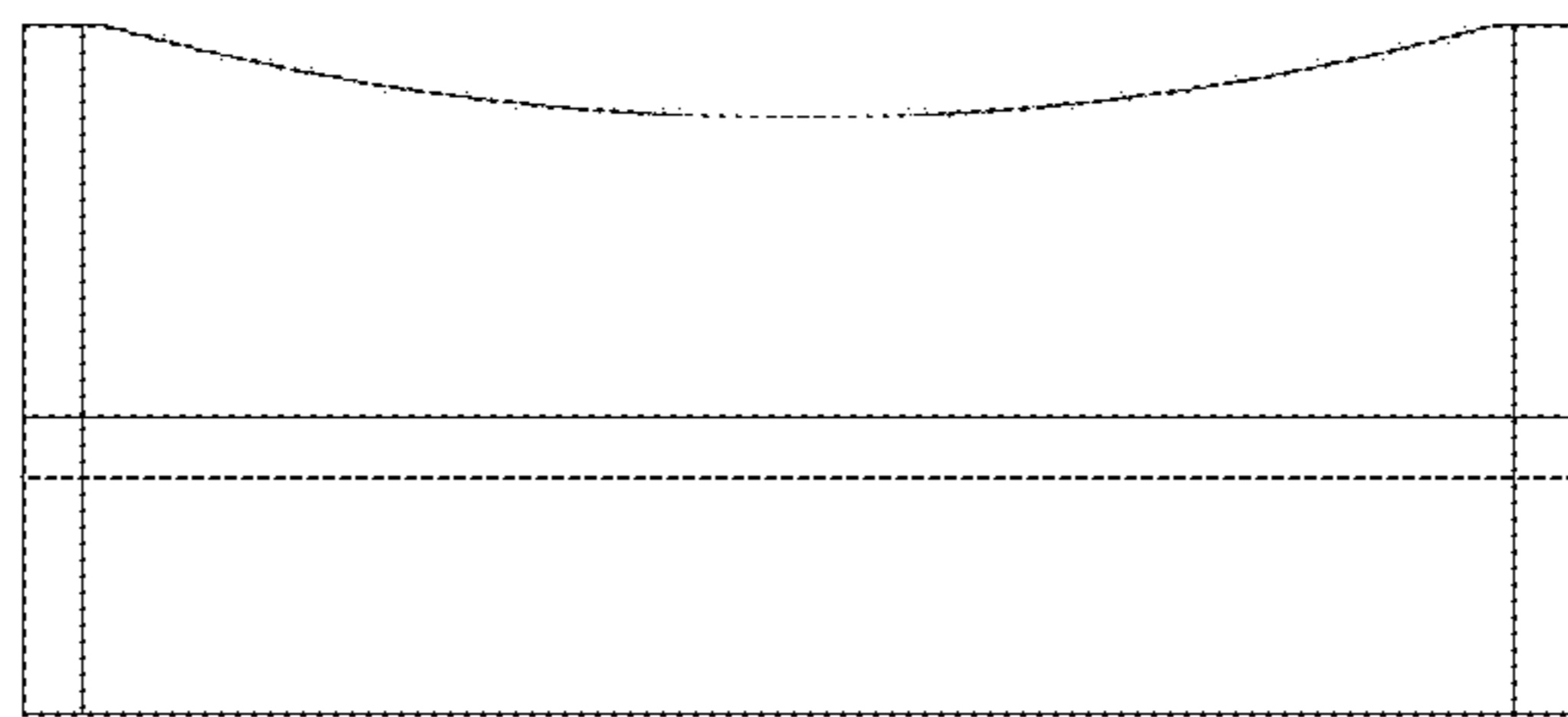


FIG. 4

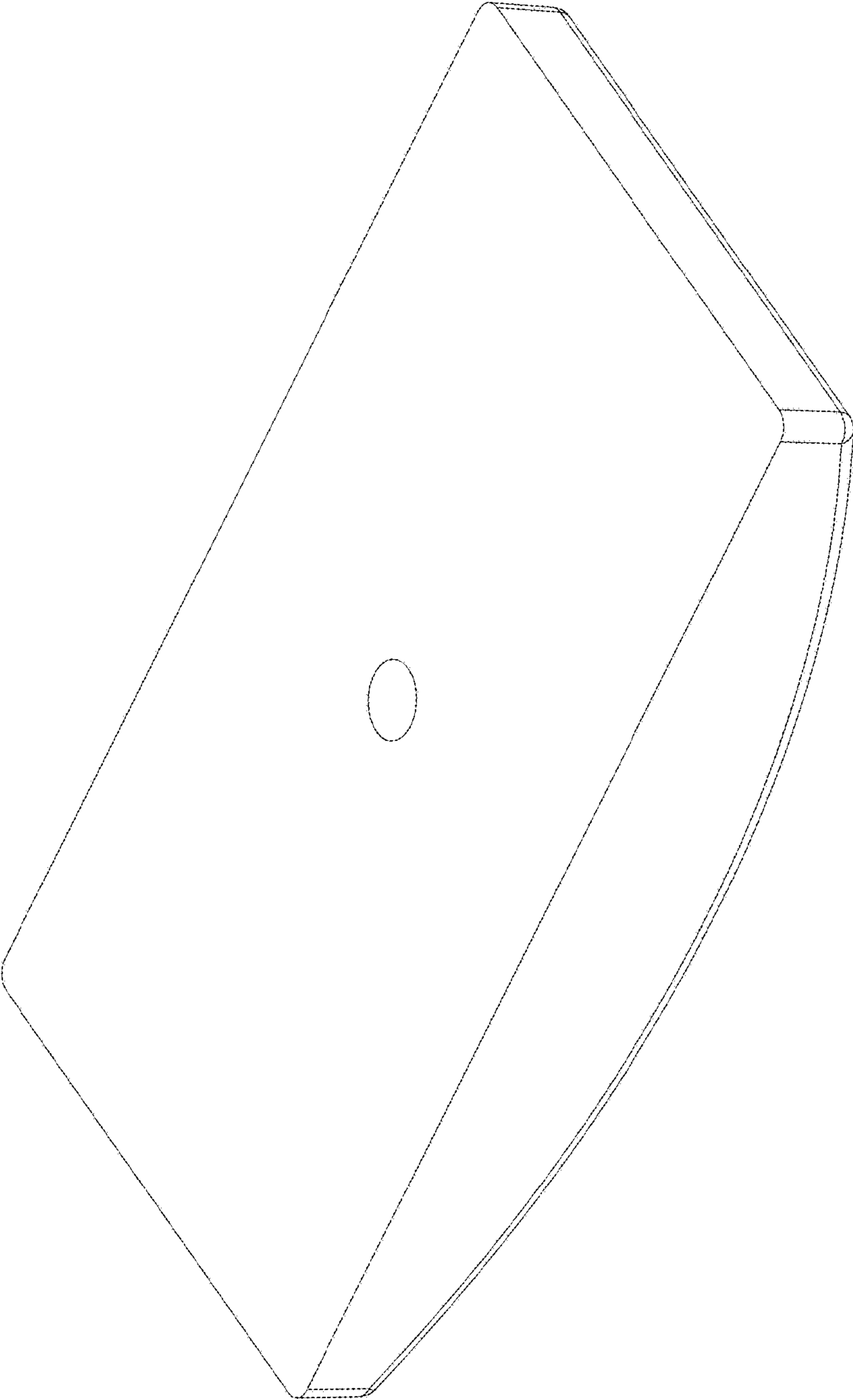


FIG. 5

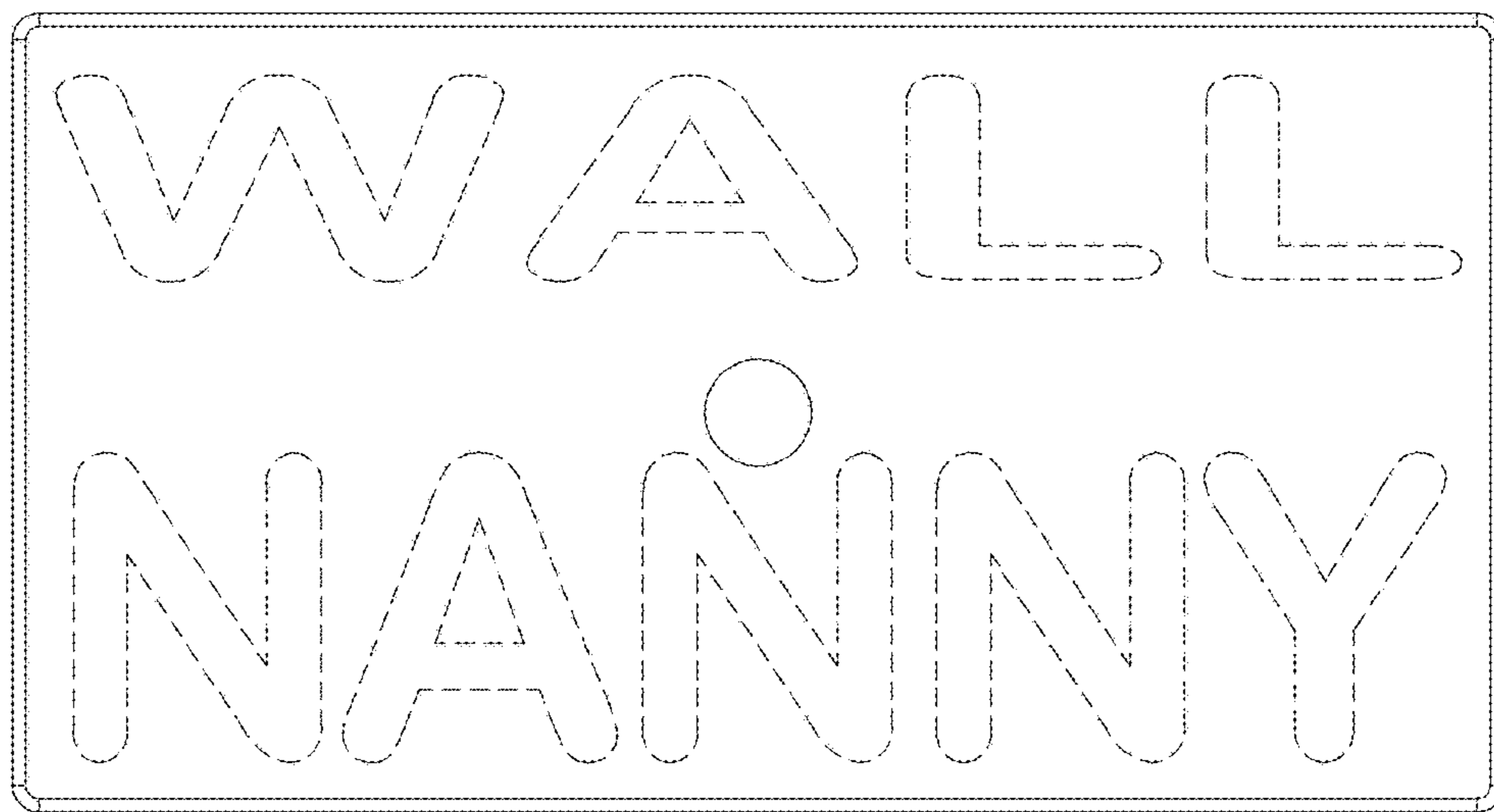


FIG. 6