



US00D821188S

(12) **United States Design Patent**
Smullen

(10) **Patent No.:** **US D821,188 S**
(45) **Date of Patent:** **** Jun. 26, 2018**

- (54) **TOWEL CLIP**
- (71) Applicant: **Jennifer Smullen**, Middletown, MD (US)
- (72) Inventor: **Jennifer Smullen**, Middletown, MD (US)
- (**) Term: **15 Years**
- (21) Appl. No.: **29/535,527**
- (22) Filed: **Aug. 7, 2015**
- (51) **LOC (11) Cl.** **08-08**
- (52) **U.S. Cl.**
USPC **D8/396**
- (58) **Field of Classification Search**
USPC D8/394-396, 349-356, 373, 400, 21-26, D8/29, 499
CPC . H01R 11/11; F16L 23/036; F16L 3/13; F16L 3/1033; E04B 2/74
See application file for complete search history.

4,858,285 A	8/1989	Dala et al.
D304,978 S	12/1989	Harrington
4,934,540 A	6/1990	Novak
D313,503 S	1/1991	Senitt
D317,116 S	5/1991	Nimtz
5,018,260 A	5/1991	Ziu
D320,874 S	10/1991	Emmons
5,133,114 A	7/1992	Terada
5,226,846 A	7/1993	Onori
5,236,725 A	8/1993	McCormack
5,246,020 A	9/1993	Wu
5,293,713 A	3/1994	Ahmed
5,351,371 A	10/1994	DeVeau, Jr.
D363,016 S *	10/1995	Sipprelle, III D8/395

(Continued)

(56) **References Cited**

U.S. PATENT DOCUMENTS

101,720 A	4/1870	Farnsworth
446,819 A	2/1891	Ostergren
1,782,057 A	11/1930	Bollinger
D90,930 S	10/1933	Todd
1,962,953 A	6/1934	Erwin
2,058,416 A	10/1936	Comstock
2,470,811 A	5/1949	Engleman
2,694,242 A	11/1954	Stageberg
2,861,318 A	11/1958	Fernberg
2,946,157 A	7/1960	Franz
3,335,467 A	8/1967	Freed
D210,860 S	4/1968	Schellens
3,762,108 A	10/1973	Pierson
D241,314 S *	9/1976	Hug D11/27
4,095,608 A	6/1978	Holmes
D257,950 S *	1/1981	Van Meter, Jr. D13/154
4,261,121 A	4/1981	Coon
D291,728 S	9/1987	Hoyt

OTHER PUBLICATIONS

<http://www.aliexpress.com/item/Newly-Design-Bright-Colors-8-PCS-Biig-Size-Strong-Beach-Towel-Clips-Keep-Your-Towel-from/32403560780.html> Jul. 1, 2015.

(Continued)

Primary Examiner — John Windmuller

(74) *Attorney, Agent, or Firm* — Leveque IP Law, P.C.

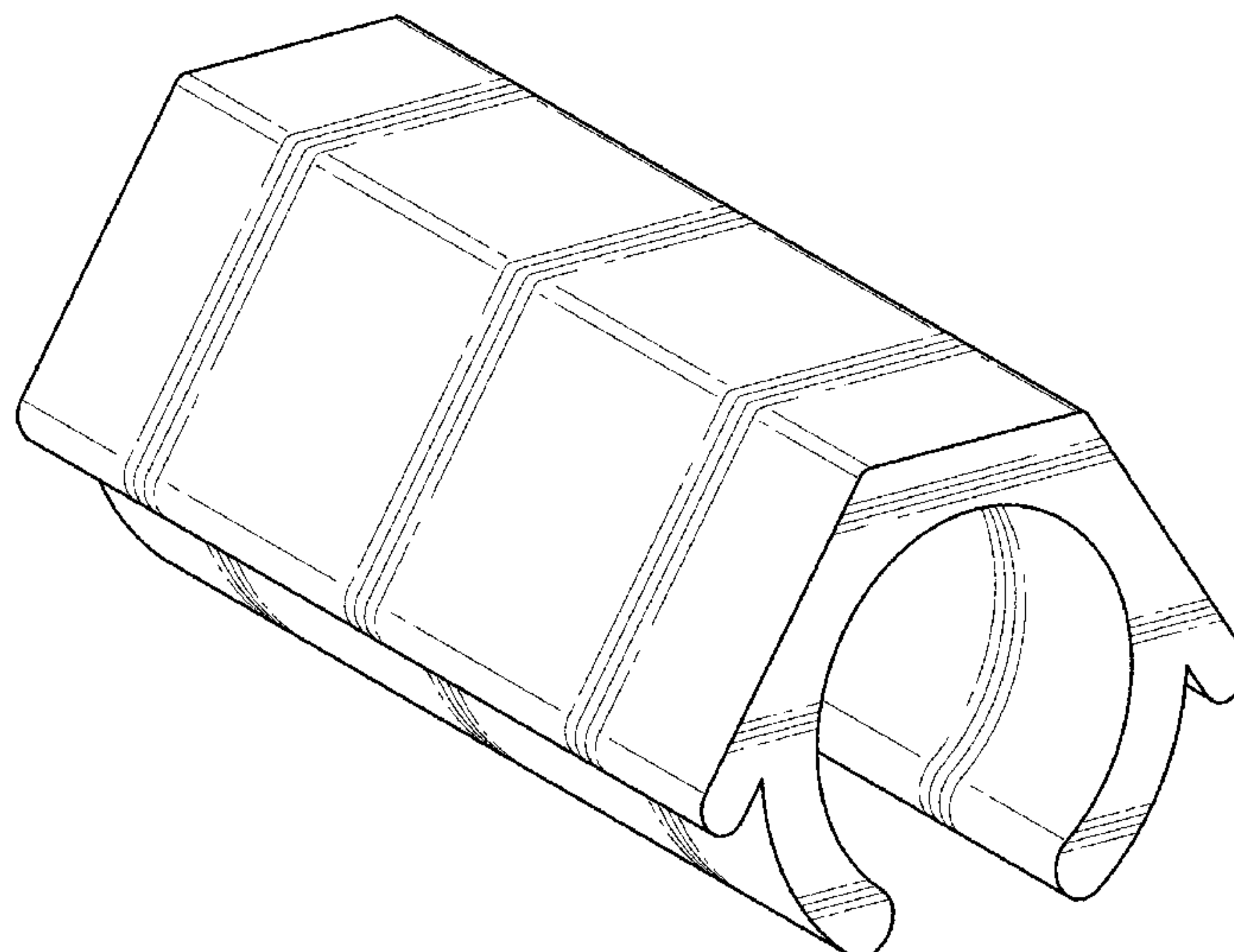
(57) **CLAIM**

The ornamental design for a towel clip, as shown and described.

DESCRIPTION

FIG. 1 is a top perspective view of a towel clip showing my new design;
FIG. 2 is a bottom perspective view thereof;
FIG. 3 is a top plan view thereof;
FIG. 4 is a bottom plan view thereof;
FIG. 5 is a left elevation view thereof, the right elevation view being a mirror image; and,
FIG. 6 is a front elevation view thereof, the rear elevation view being a mirror image.

1 Claim, 4 Drawing Sheets



(56)

References Cited

U.S. PATENT DOCUMENTS

D364,188 S 11/1995 Wolff
 5,584,456 A 12/1996 Stephens
 5,611,123 A 3/1997 Prizzi
 5,802,677 A 9/1998 Dorman et al.
 5,803,484 A 9/1998 Orme
 5,829,832 A 11/1998 Molee et al.
 D406,051 S * 2/1999 Ross D8/395
 5,960,520 A 10/1999 Conway et al.
 D417,612 S * 12/1999 Jones D26/138
 D425,127 S 5/2000 Mackey
 D426,416 S 6/2000 Petrishen
 D426,577 S 6/2000 Mackey
 D433,318 S 11/2000 Chang
 D435,684 S * 12/2000 Gary D26/138
 D451,007 S * 11/2001 Jones D8/367
 D463,325 S 9/2002 Savoia
 6,490,768 B1 12/2002 Goodall
 D470,937 S * 2/2003 Gary D24/138
 D509,319 S 9/2005 Chen
 D537,331 S 2/2007 Hill
 D578,382 S 10/2008 Petrocofski
 D586,649 S 2/2009 Fleischman
 D587,563 S 3/2009 Fleischman
 7,608,782 B2 10/2009 Hill
 7,707,681 B1 5/2010 Cabak
 7,721,396 B2 5/2010 Fleischman
 D623,048 S 9/2010 Moy
 D632,554 S 2/2011 Grzyb
 7,921,527 B2 4/2011 Moy

7,963,010 B2 6/2011 Levesque
 D648,620 S 11/2011 Wagner
 D659,527 S 5/2012 Boucher-Gagne
 D661,461 S 6/2012 Murray
 D671,823 S 12/2012 van der Lande
 D682,464 S * 5/2013 Gary D26/142
 D692,689 S * 11/2013 Yiannaki D6/606
 D695,550 S * 12/2013 Yiannaki D6/606
 D706,616 S 6/2014 Katz
 D707,546 S 6/2014 Katz
 D729,542 S * 5/2015 Dontfraid D6/534
 D775,534 S * 1/2017 Turksu D10/31
 D796,946 S * 9/2017 Pittman D8/395
 2001/0022014 A1 9/2001 Smith
 2010/0088863 A1 4/2010 Moy
 2010/0325842 A1 12/2010 Rivera
 2014/0208548 A1 7/2014 Wasco

OTHER PUBLICATIONS

<https://web.archive.org/web/20070909012653/http://www.biminiclip.com/> Sep. 9, 2007.
<https://web.archive.org/web/20100504163252/http://bocaclips.com/> May 4, 2010.
<https://web.archive.org/web/20090113212206/http://www.creativetowelclips.com/> Jan. 13, 2009.
<https://web.archive.org/web/20150626132843/https://getuggs.com/> Jun. 26, 2015.
<https://web.archive.org/web/20130718142818/http://thebeachclip.com/> Jul. 18, 2013.

* cited by examiner

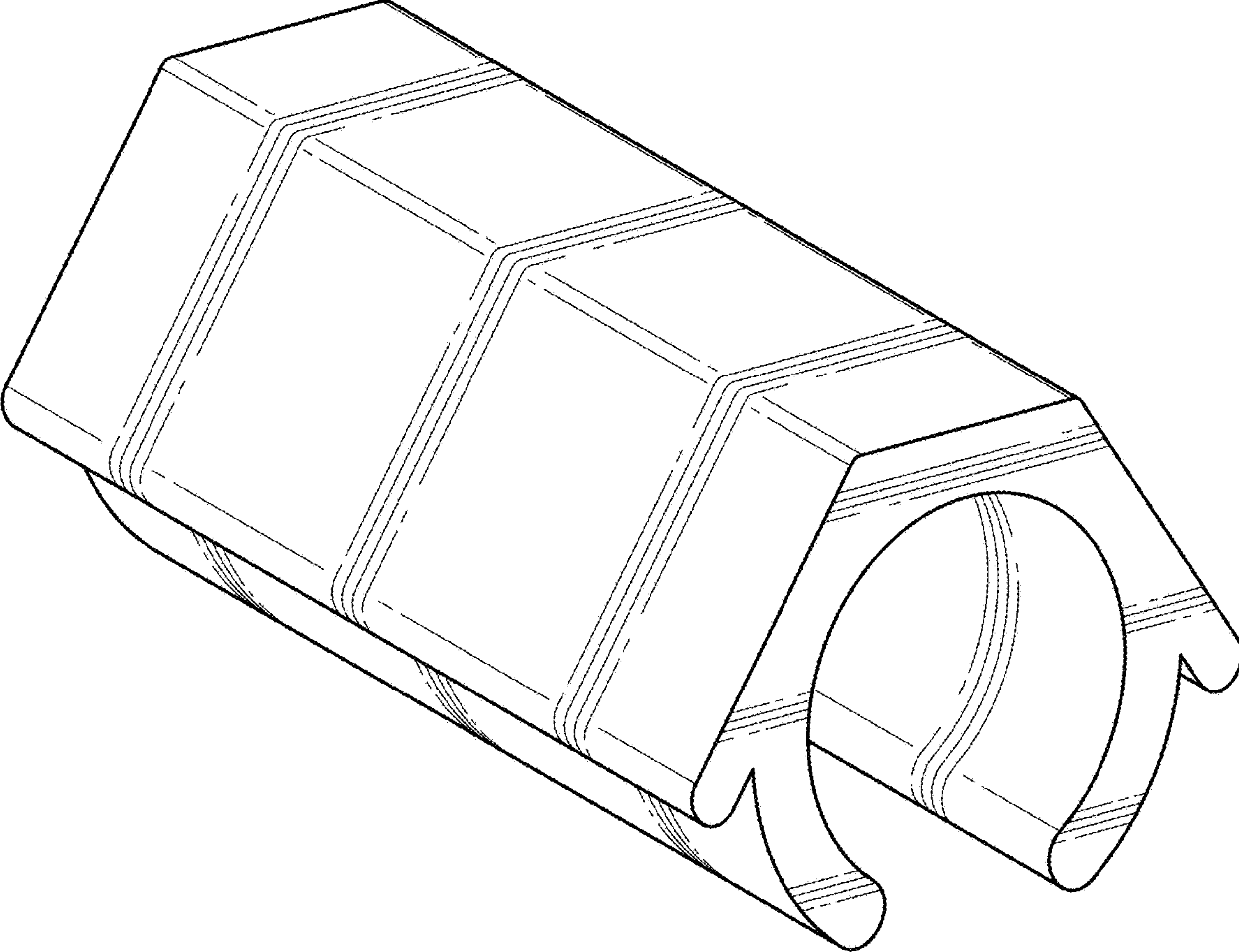


FIG. 1

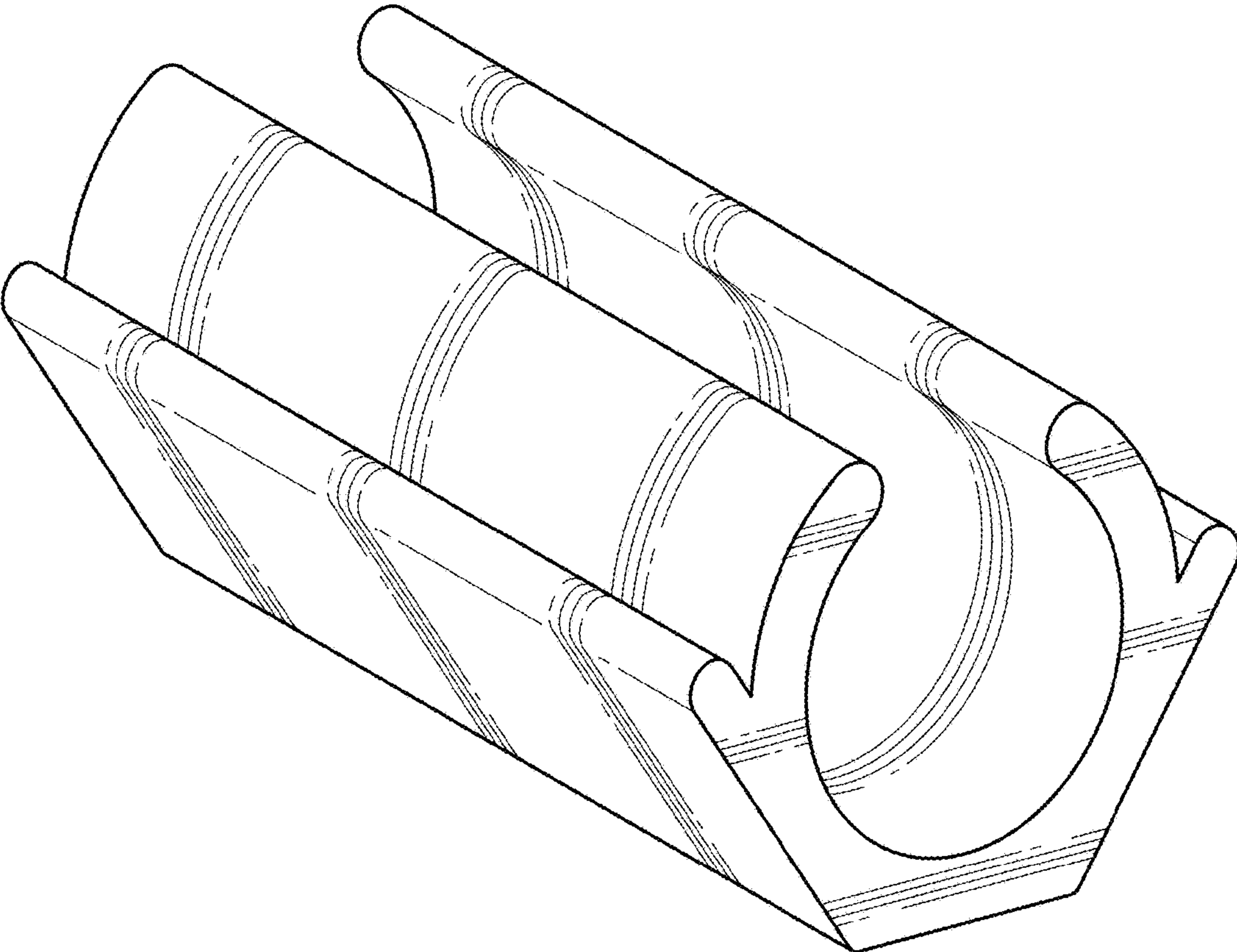


FIG. 2

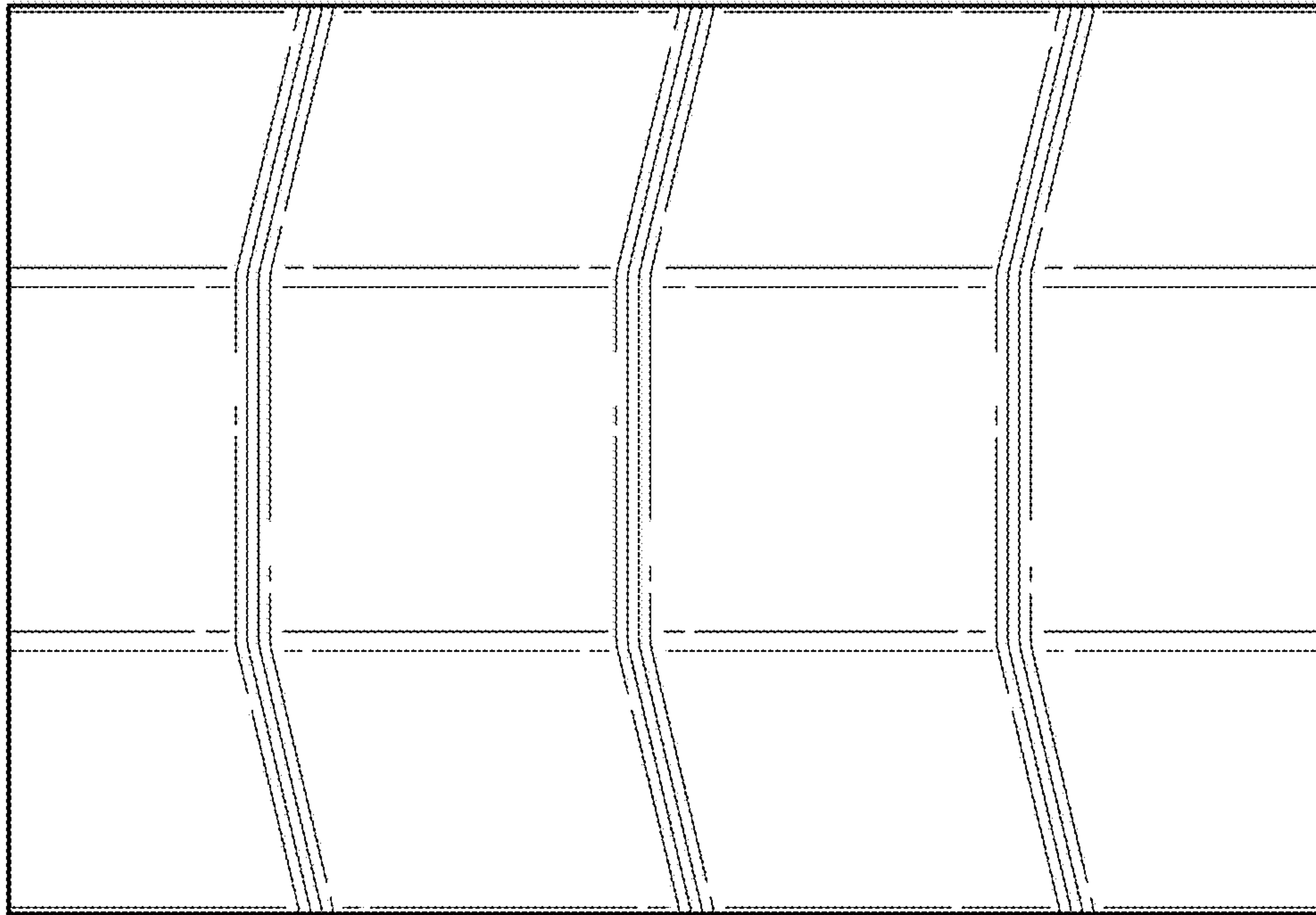


FIG. 3

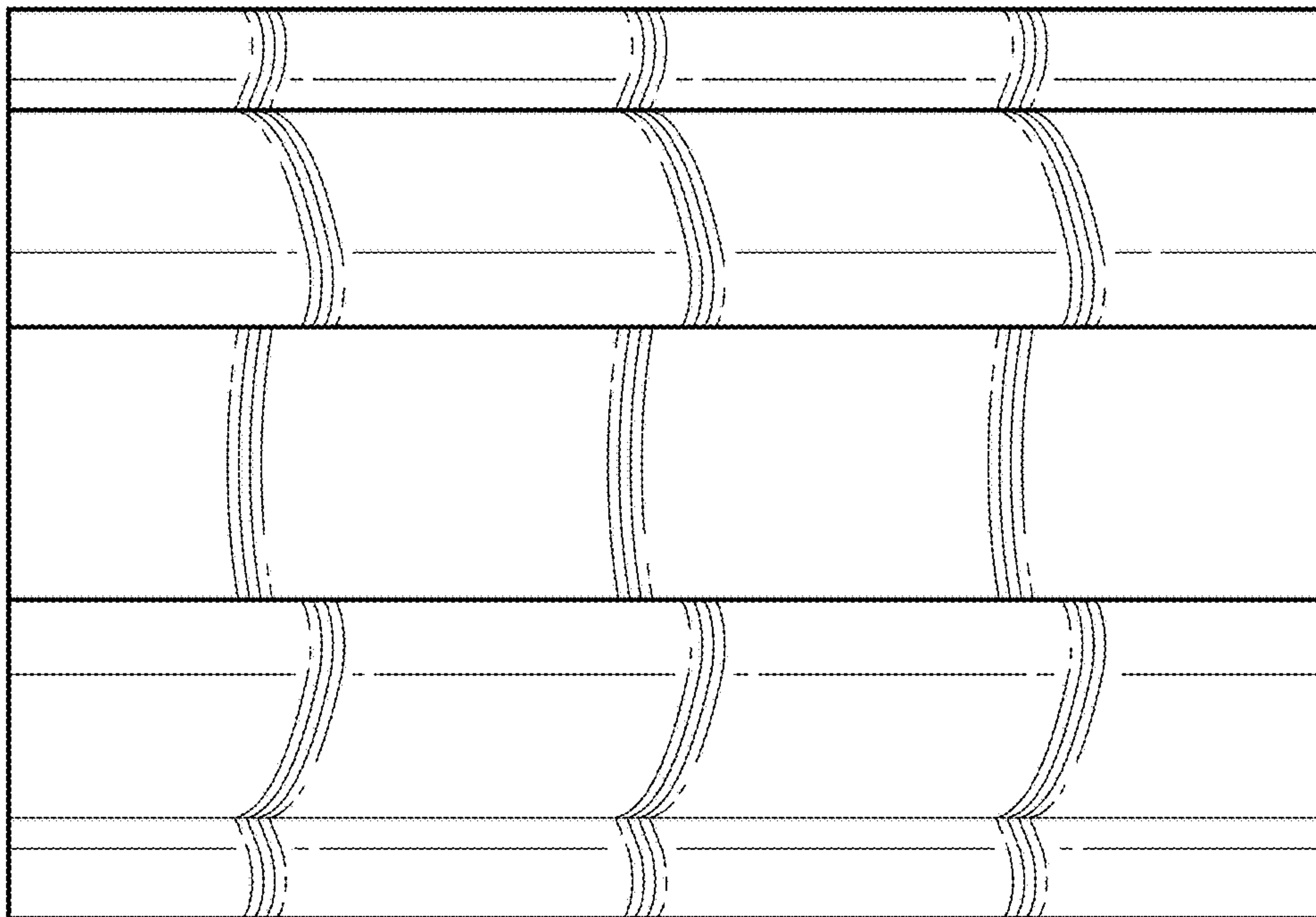


FIG. 4

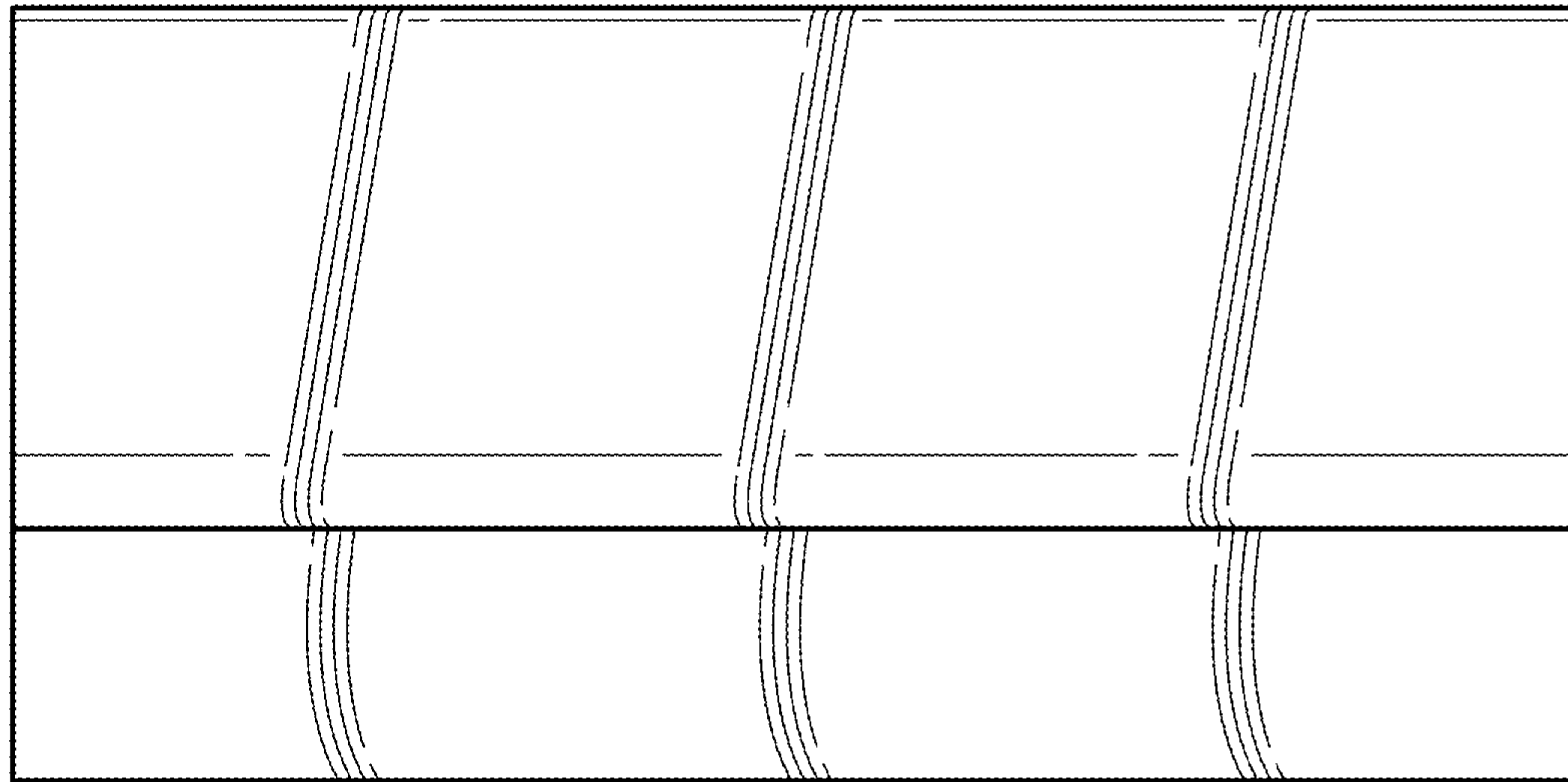


FIG. 5

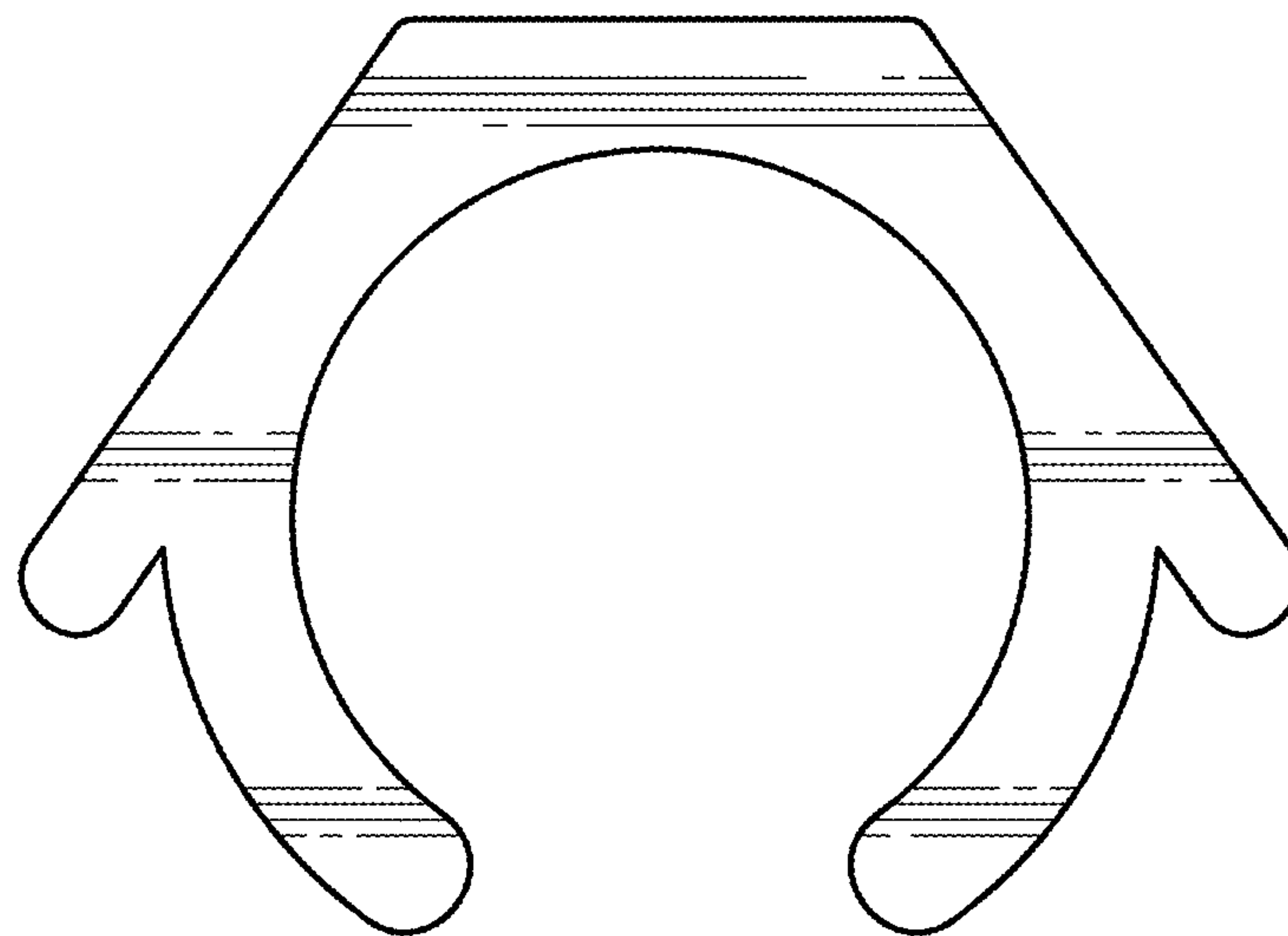


FIG. 6