



US00D821186S

(12) **United States Design Patent**
Pratt

(10) **Patent No.:** **US D821,186 S**
(45) **Date of Patent:** **** *Jun. 26, 2018**

(54) **CLEAT**
(71) Applicant: **Ross Gregory Pratt**, Auckland (NZ)
(72) Inventor: **Ross Gregory Pratt**, Auckland (NZ)
(*) Notice: This patent is subject to a terminal disclaimer.
(**) Term: **14 Years**

8,360,385 B2 * 1/2013 Burg B60P 7/0807
248/499
D718,122 S * 11/2014 Adair D8/382
D757,520 S * 5/2016 Pratt D8/349
2008/0087782 A1 * 4/2008 Sutherland B25H 3/006
248/231.9
2011/0058914 A1 * 3/2011 Ogden B60P 7/0807
410/101
2015/0232152 A1 * 8/2015 Pratt B63B 21/045
114/218

(21) Appl. No.: **29/499,093**
(22) Filed: **Aug. 12, 2014**
(51) **LOC (11) Cl.** **08-08**
(52) **U.S. Cl.**
USPC **D8/382**
(58) **Field of Classification Search**
USPC D8/356, 373, 380, 382, 383, 499;
D12/223, 400, 317, 51, 345, 414.1, 414
CPC B63B 21/045; B63B 21/04; B63B 21/00;
B60P 7/0807; B61D 45/001; F16G 11/00
See application file for complete search history.

* cited by examiner

Primary Examiner — Ian Simmons
Assistant Examiner — Ieisha N Price

(57) **CLAIM**

I claim the ornamental design for a cleat, as shown and described.

DESCRIPTION

FIG. 1 is a side view of a cleat;
FIG. 2 is an opposite side view of the cleat;
FIG. 3 is a front view of the cleat;
FIG. 4 is a rear view of the cleat;
FIG. 5 is a top view of the cleat;
FIG. 6 is a bottom view of the cleat;
FIG. 7 is a perspective view of the cleat; and,
FIG. 8 is an alternative perspective view of the cleat.
The broken lines in the drawings illustrate portions of the cleat and form no part of the claimed design.

(56) **References Cited**
U.S. PATENT DOCUMENTS
D506,126 S * 6/2005 Amy D12/223
8,025,431 B1 * 9/2011 Burke B63B 21/045
114/218
D658,482 S * 5/2012 Pratt D8/349

1 Claim, 8 Drawing Sheets

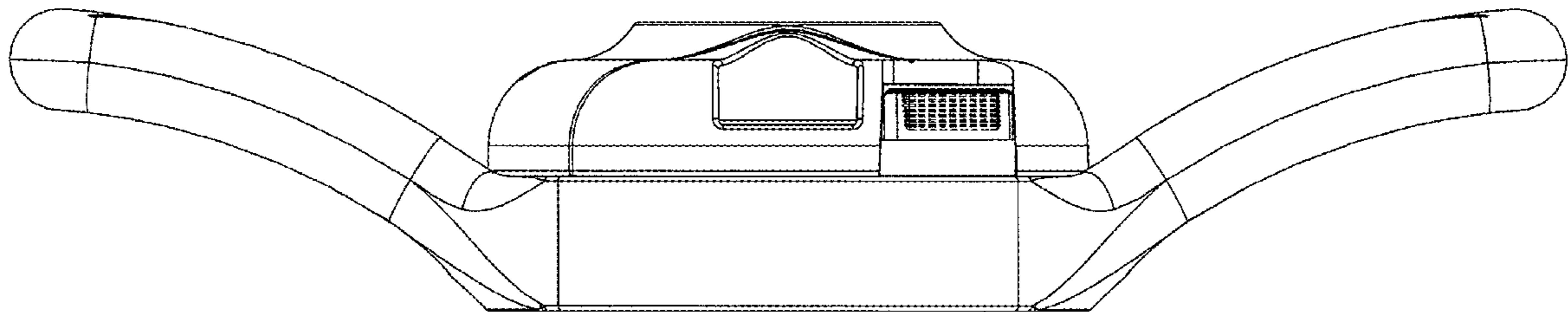


Figure 1

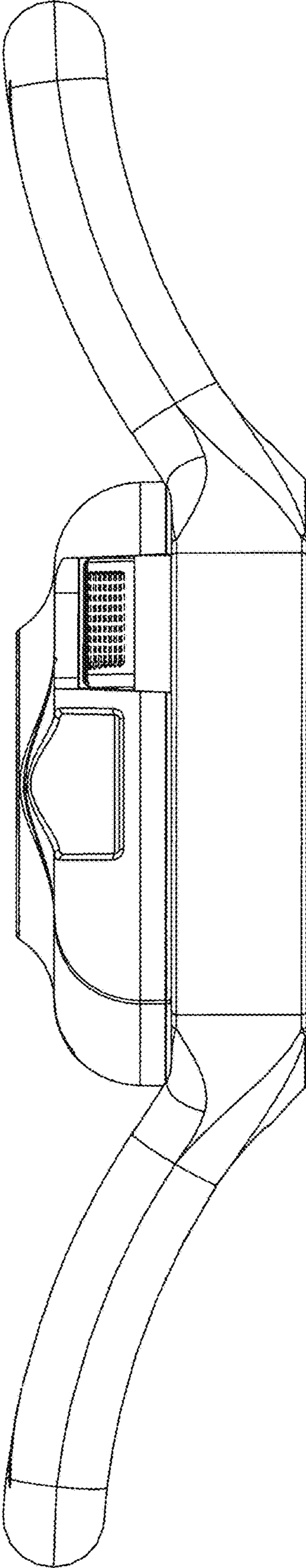


Figure 2

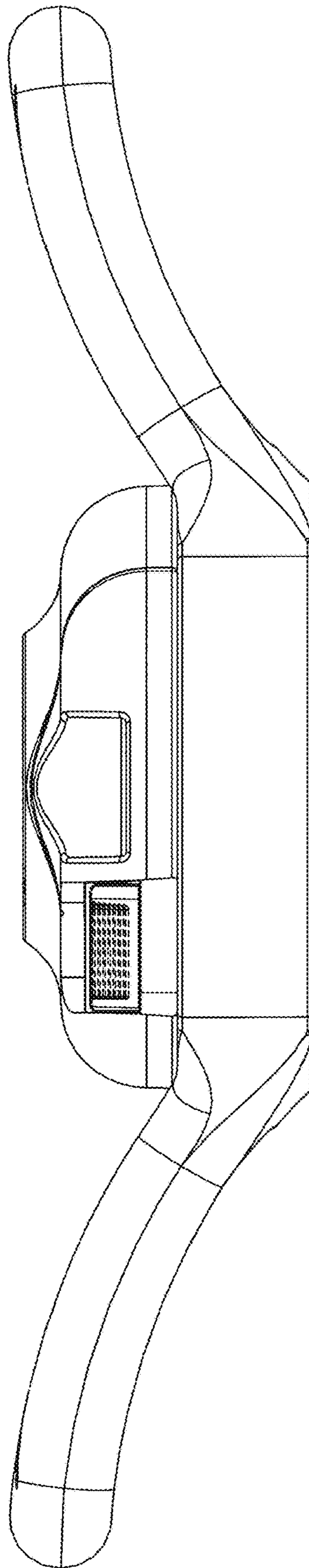


Figure 3

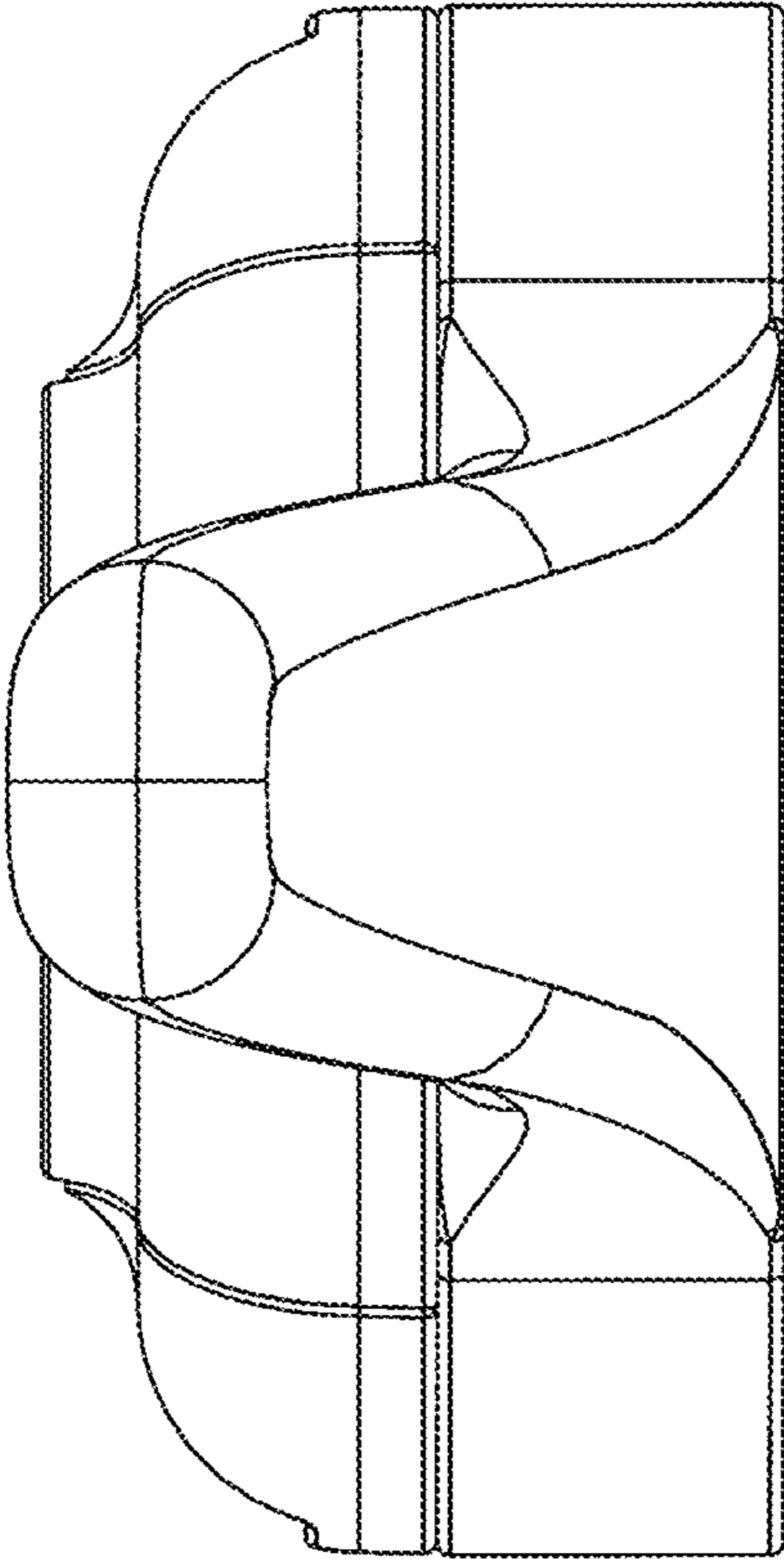


Figure 4

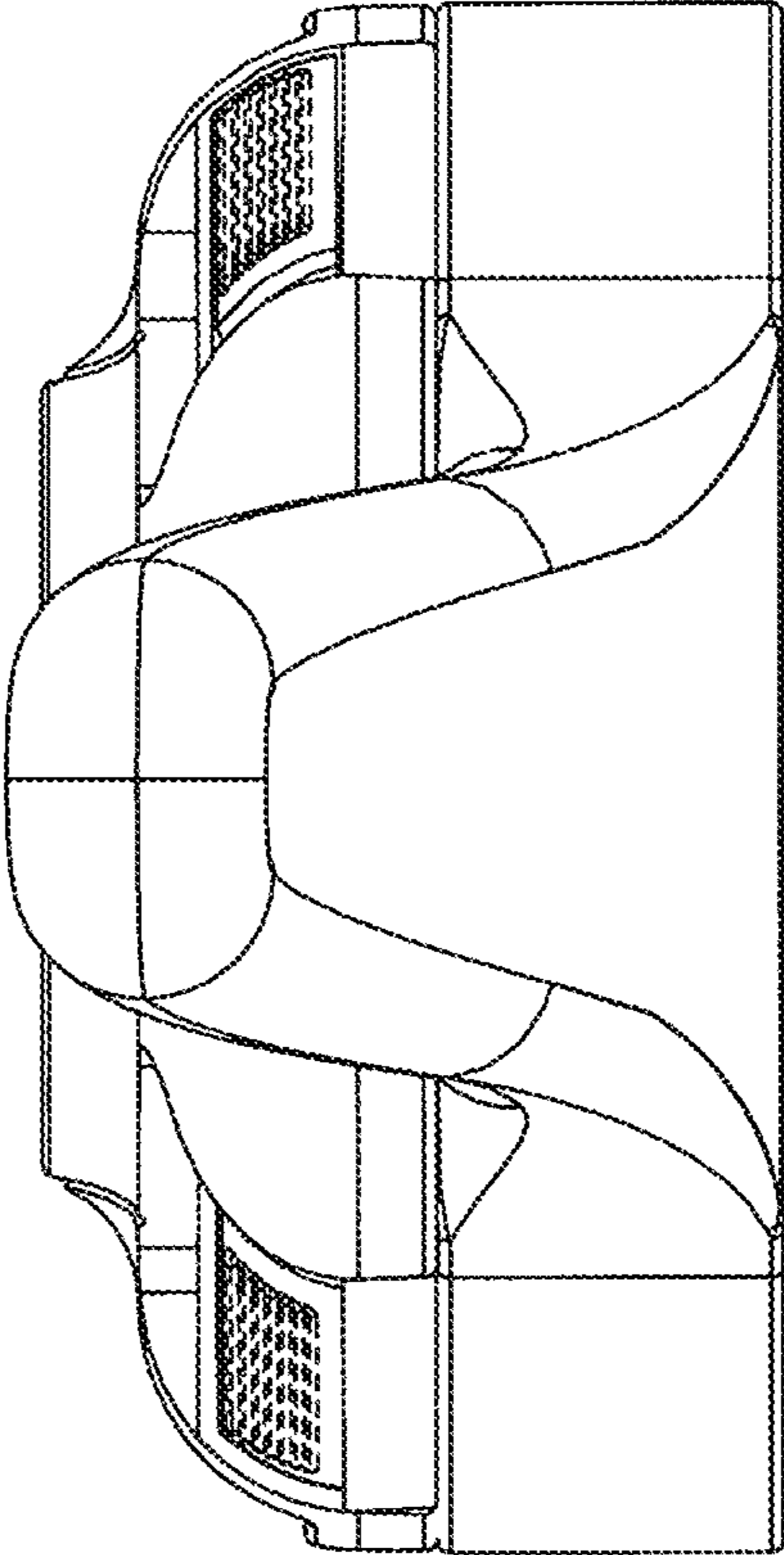


Figure 5

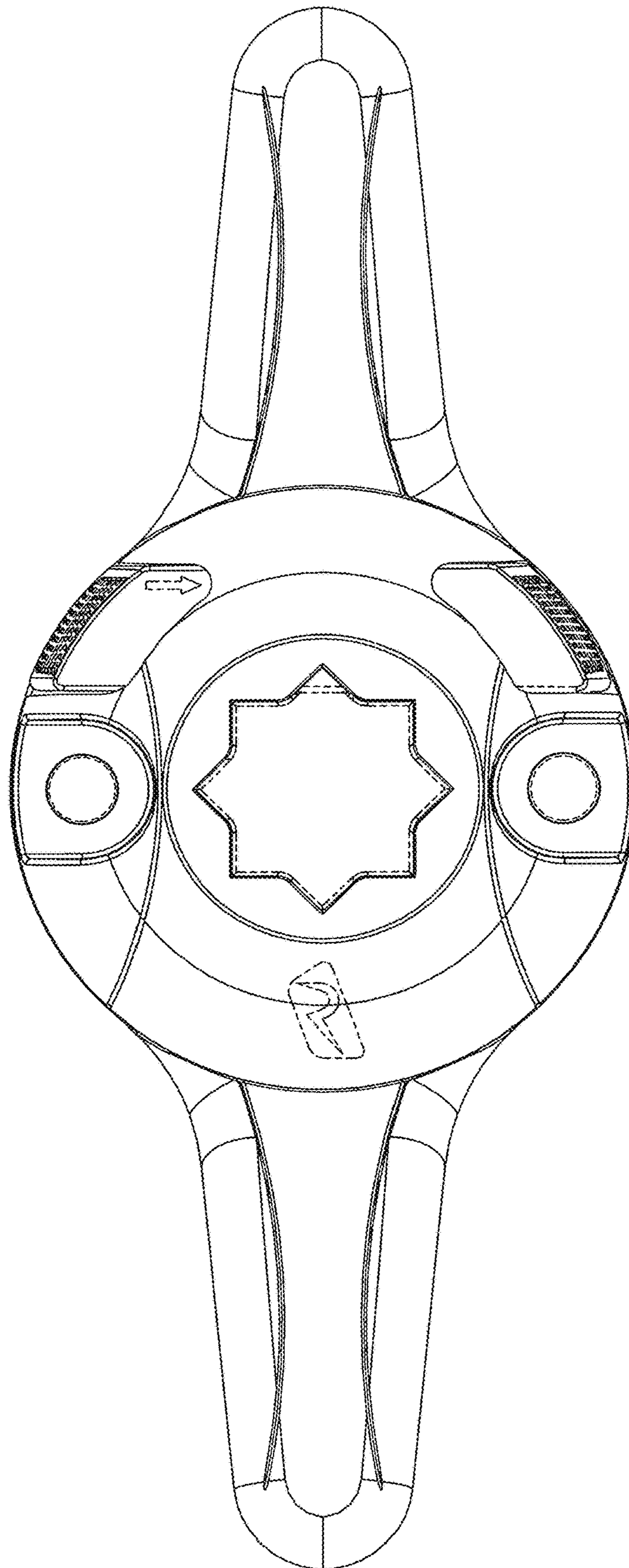
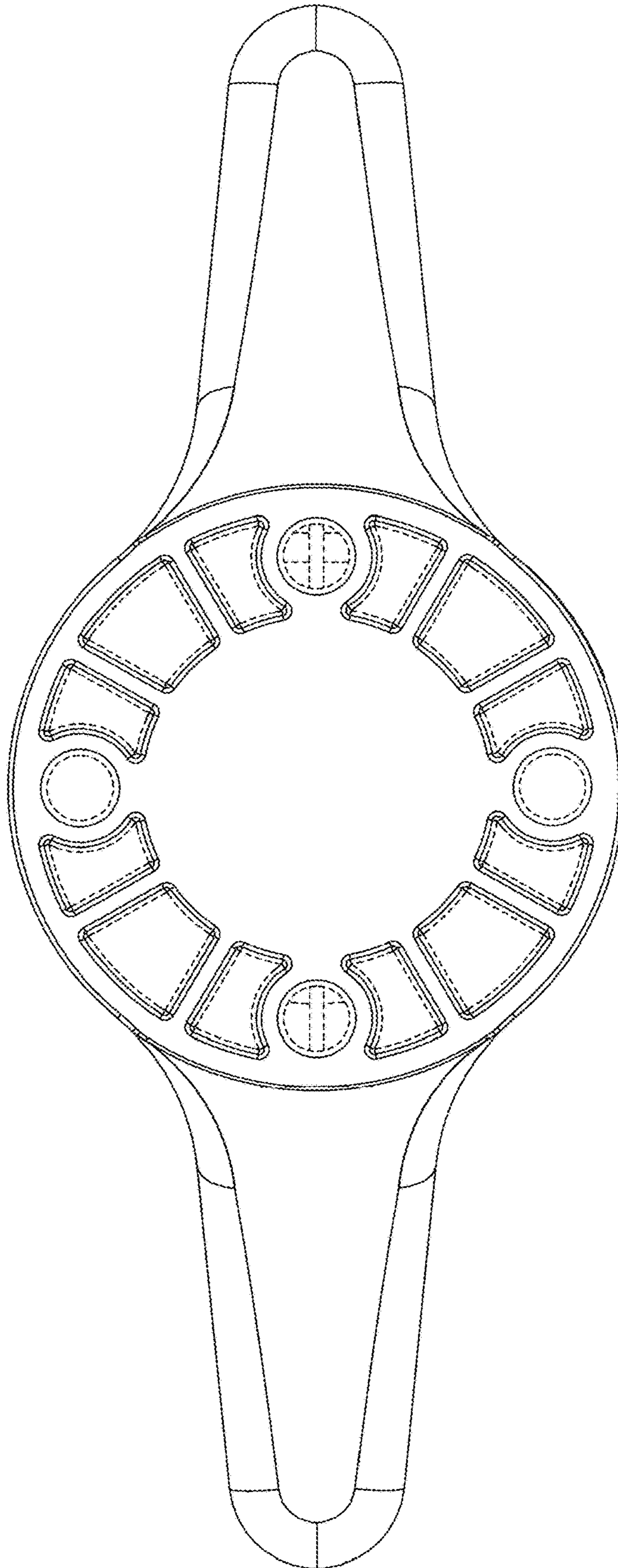


Figure 6



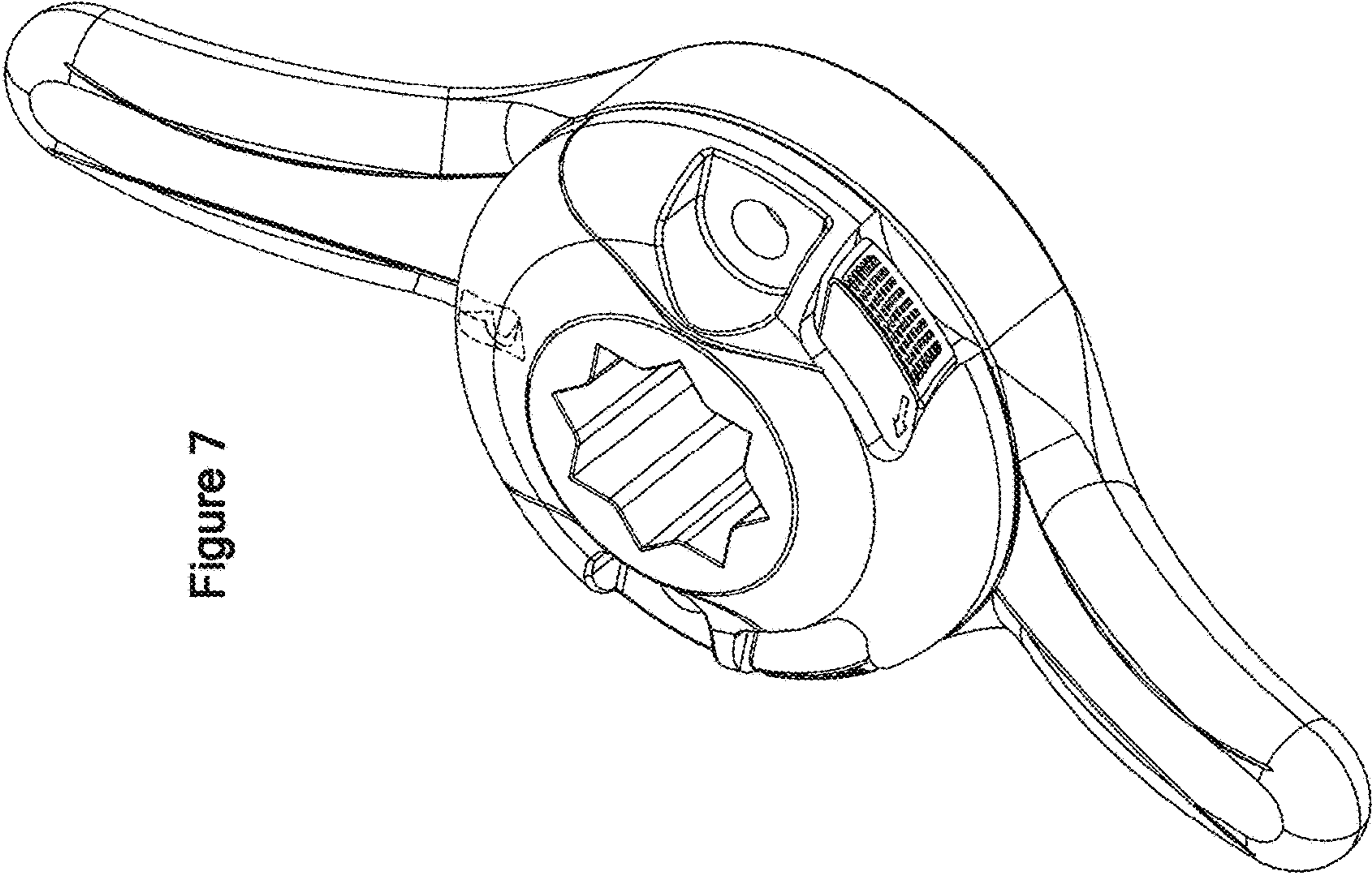


Figure 7

Figure 8

