



US00D821185S

(12) **United States Design Patent**
Joshi et al.

(10) **Patent No.:** **US D821,185 S**
(45) **Date of Patent:** **** Jun. 26, 2018**

(54) **BRACKET FOR A DEPLOYABLE STEP**

(71) Applicant: **GENERAL ELECTRIC COMPANY,**
Schenectady, NY (US)

(72) Inventors: **Samir Vikas Joshi,** Bangalore (IN);
Abhijit Eknath Patil, Bangalore (IN);
Sudheer Kadappa Khanapure,
Bangalore (IN); **Pratik Rajendra**
Nirhali, Bangalore (IN)

(73) Assignee: **General Electric Company,**
Schenectady, NY (US)

(**) Term: **15 Years**

(21) Appl. No.: **29/573,682**

(22) Filed: **Aug. 9, 2016**

(51) **LOC (11) Cl.** **08-05**

(52) **U.S. Cl.**
USPC **D8/381**

(58) **Field of Classification Search**
USPC D8/321, 380, 381, 400, 349, 373, 354,
D8/355, 107, 300, 303, 316, 319, 308,
D8/366, 367, 402-404; D6/320, 523,
D6/549; 16/414, 415, 417; 280/166,
280/169; 34/6

CPC F16B 2/00; E04B 1/2608; E04B 1/2612
See application file for complete search history.

(56) **References Cited**

U.S. PATENT DOCUMENTS

D43,140 S *	10/1912	Fay	D8/366
D56,523 S *	11/1920	Cloutier	D8/366
D65,491 S *	8/1924	Pourmon	D8/366
D65,492 S *	8/1924	Pourmon	D8/363
D101,104 S *	9/1936	Bushey et al.	D8/366
D143,720 S *	2/1946	Ewer	D8/366
D209,085 S *	10/1967	Margolis	D8/366
4,018,167 A *	4/1977	Spangler	A47B 96/061 108/152

D254,290 S *	2/1980	Smith	D8/381
D284,608 S *	7/1986	Hampton	D34/6
D289,605 S *	5/1987	Lytle	D8/381
D294,221 S *	2/1988	Sheftel	248/242
D295,950 S *	5/1988	Johnston	108/108
D313,743 S *	1/1991	Mastrodicasa	D8/381
D324,818 S *	3/1992	Von Gunton	D8/381
D327,839 S *	7/1992	Stumpf	D8/381
D361,931 S *	9/1995	Cesler	D8/380
D379,283 S *	5/1997	Antinori	5/411
5,636,819 A *	6/1997	Kettlestrings	F16B 2/06 248/216.1
D411,738 S *	6/1999	Raasch	D8/381
D616,733 S *	6/2010	Kleinsasser	D8/373
D635,449 S *	4/2011	Robinson	D8/366
D638,282 S *	5/2011	Robinson	D8/366

(Continued)

Primary Examiner — Lakiya G Rogers

Assistant Examiner — Altaira J Swangin

(74) *Attorney, Agent, or Firm* — GE Global Patent
Operation; John A. Kramer

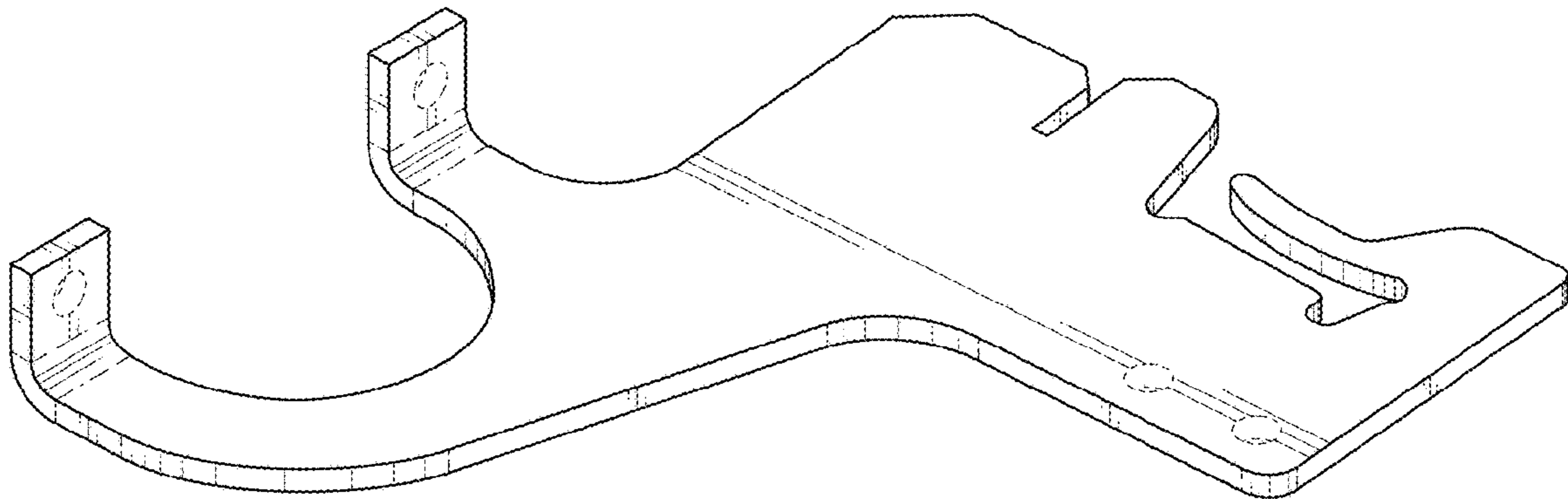
(57) **CLAIM**

The ornamental design for a bracket for a deployable step,
as shown and described.

DESCRIPTION

FIG. 1 is a perspective view of a bracket for a deployable
step depicting our new design;
FIG. 2 is a front plan view thereof;
FIG. 3 is a side view thereof;
FIG. 4 is a bottom view thereof;
FIG. 5 is a top view thereof;
FIG. 6 is an opposite side view thereof; and,
FIG. 7 is a rear plan view thereof.
The circular broken line features of FIGS. 1, 2, 4, 5, and 7
are included to show portions of the article which form no
part of the claimed design. All other broken or dash-dot lines
in the figures represent contour lines.

1 Claim, 3 Drawing Sheets



(56)

References Cited

U.S. PATENT DOCUMENTS

8,152,119	B2 *	4/2012	Pfund	F21S 8/00 248/220.21
D678,754	S *	3/2013	Burr	D6/575
D679,174	S *	4/2013	Nowak	D8/381
D684,838	S *	6/2013	Wirtz	D8/302
D730,720	S *	6/2015	Nowak	D8/355
9,347,230	B1 *	5/2016	Hayman	E04G 7/307
D779,312	S *	2/2017	Stanley	D26/138
D798,137	S *	9/2017	Locatell	D8/384
9,765,805	B2 *	9/2017	Pond	F16B 17/00
D798,693	S *	10/2017	Kanagal Narasimhaswamy	D83/354
D801,139	S *	10/2017	Cheng	D8/19
D801,724	S *	11/2017	Atkins	D6/552
D801,725	S *	11/2017	Atkins	D6/552
D801,793	S *	11/2017	Johnson	D8/381
D803,671	S *	11/2017	Neelagantan	D8/381
2003/0126820	A1 *	7/2003	Callahan	E04B 5/12 52/514
2006/0180058	A1 *	8/2006	Monson	A47B 5/02 108/152

* cited by examiner

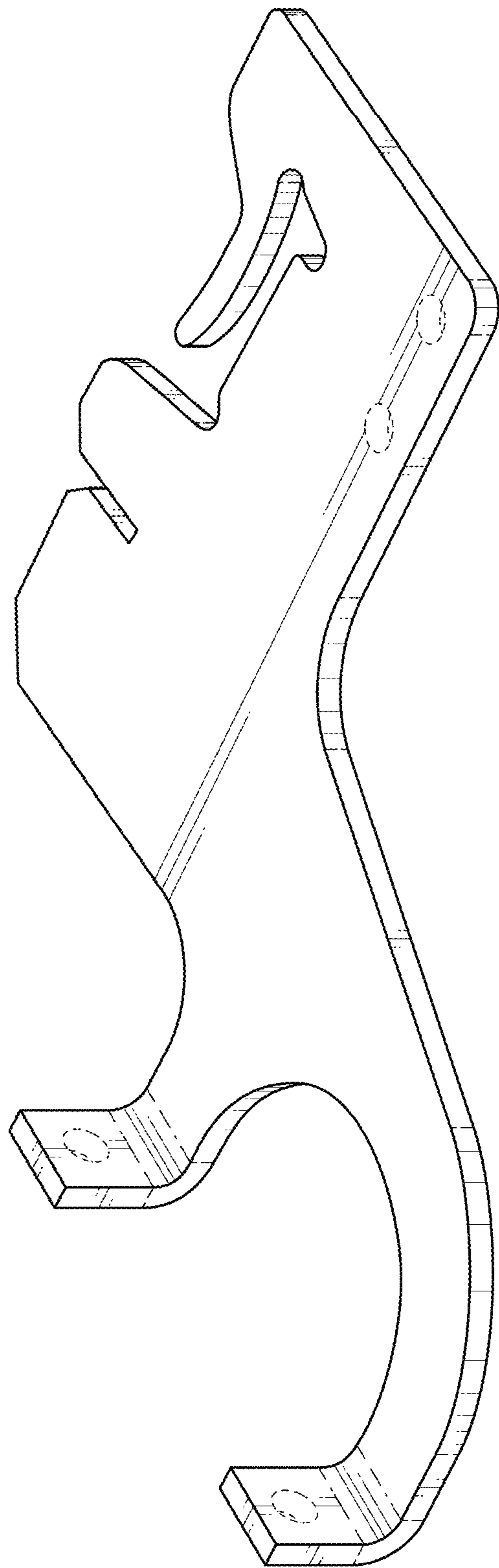


FIG. 1

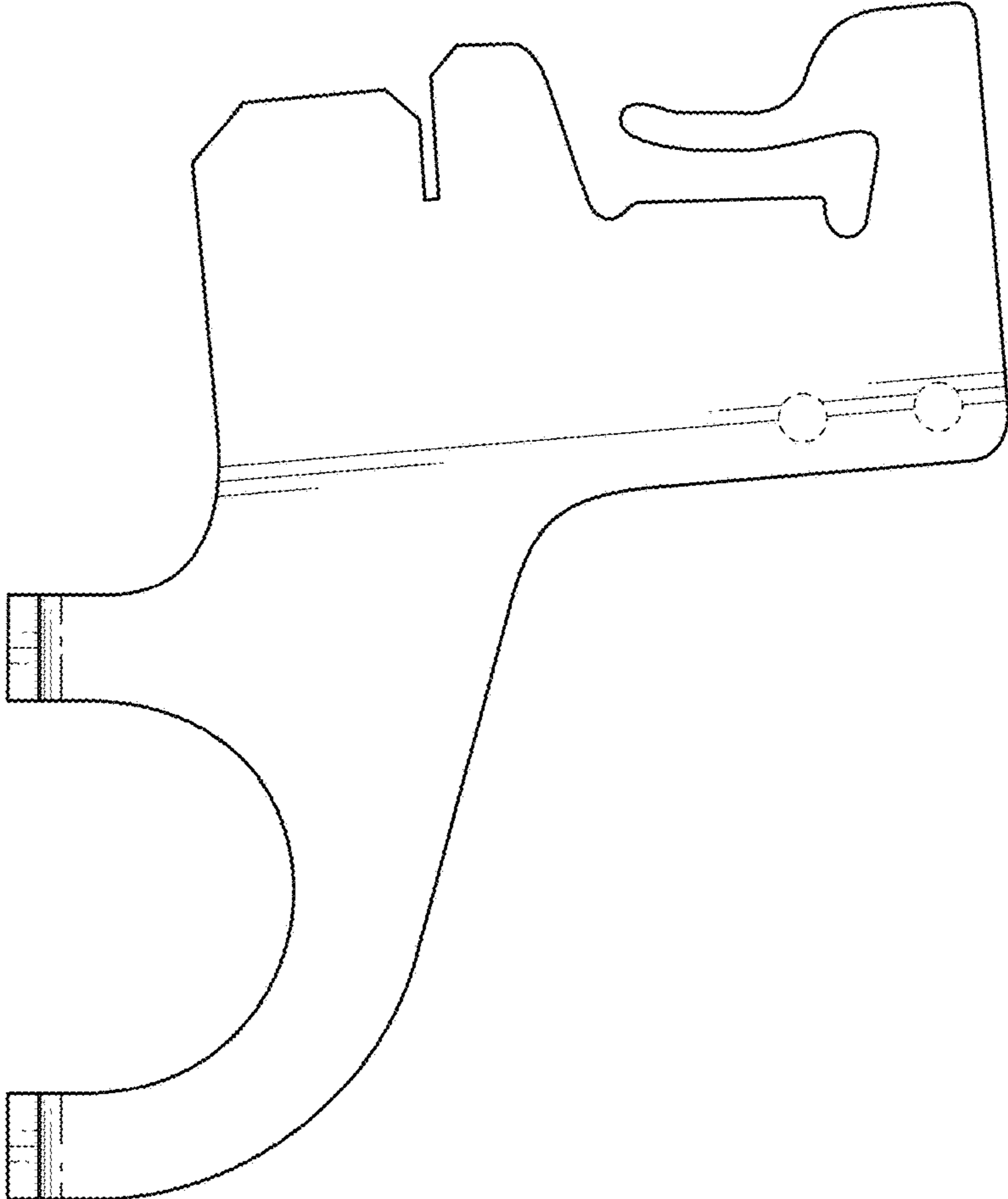


FIG. 2

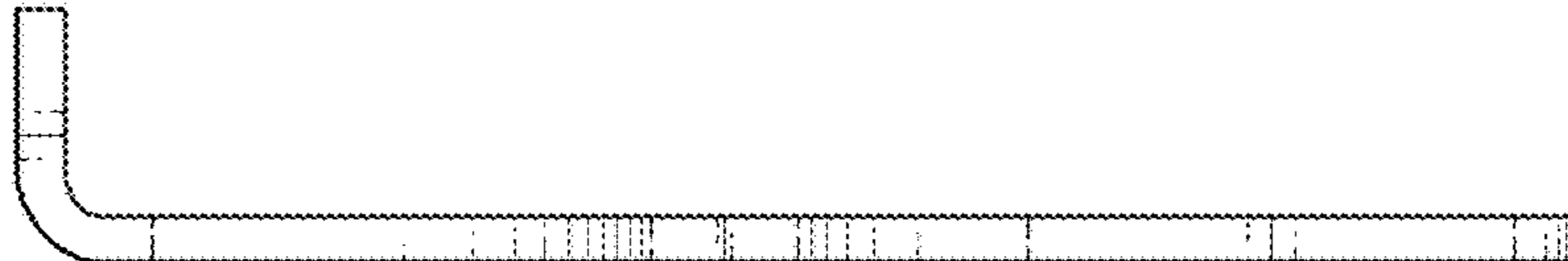


FIG. 3

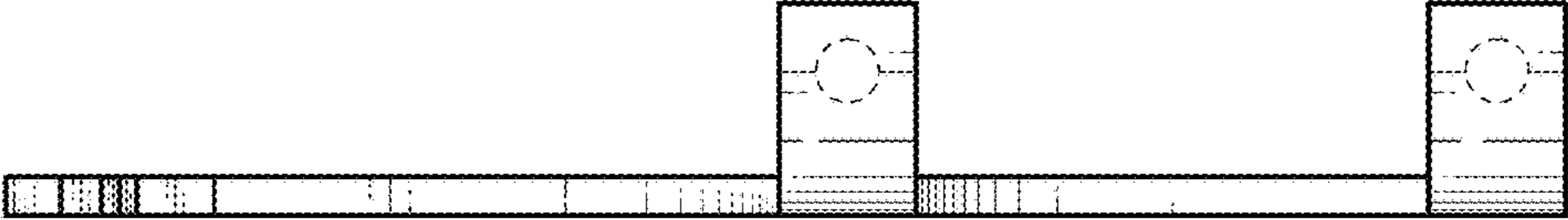


FIG. 4

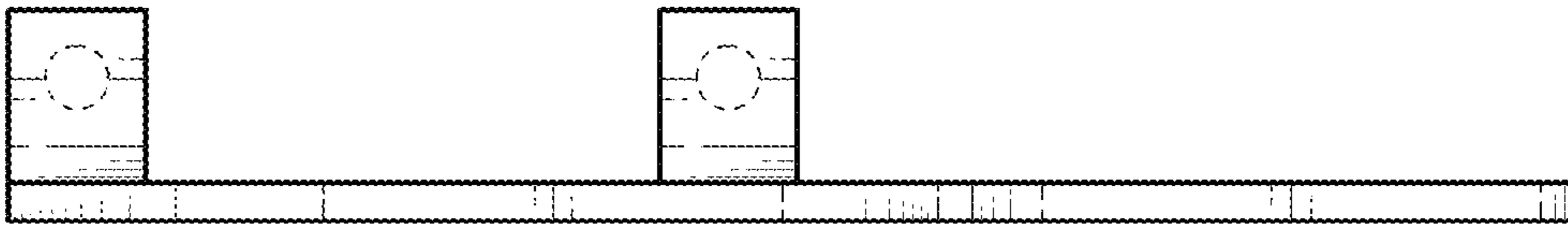


FIG. 5

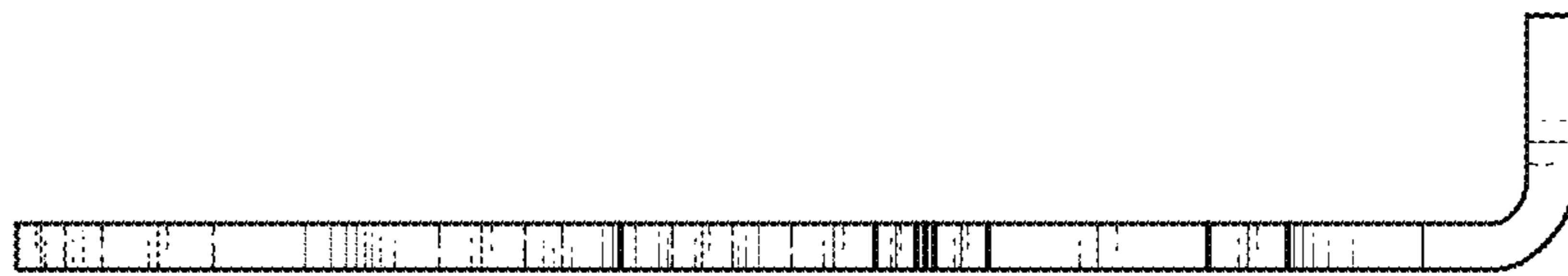


FIG. 6

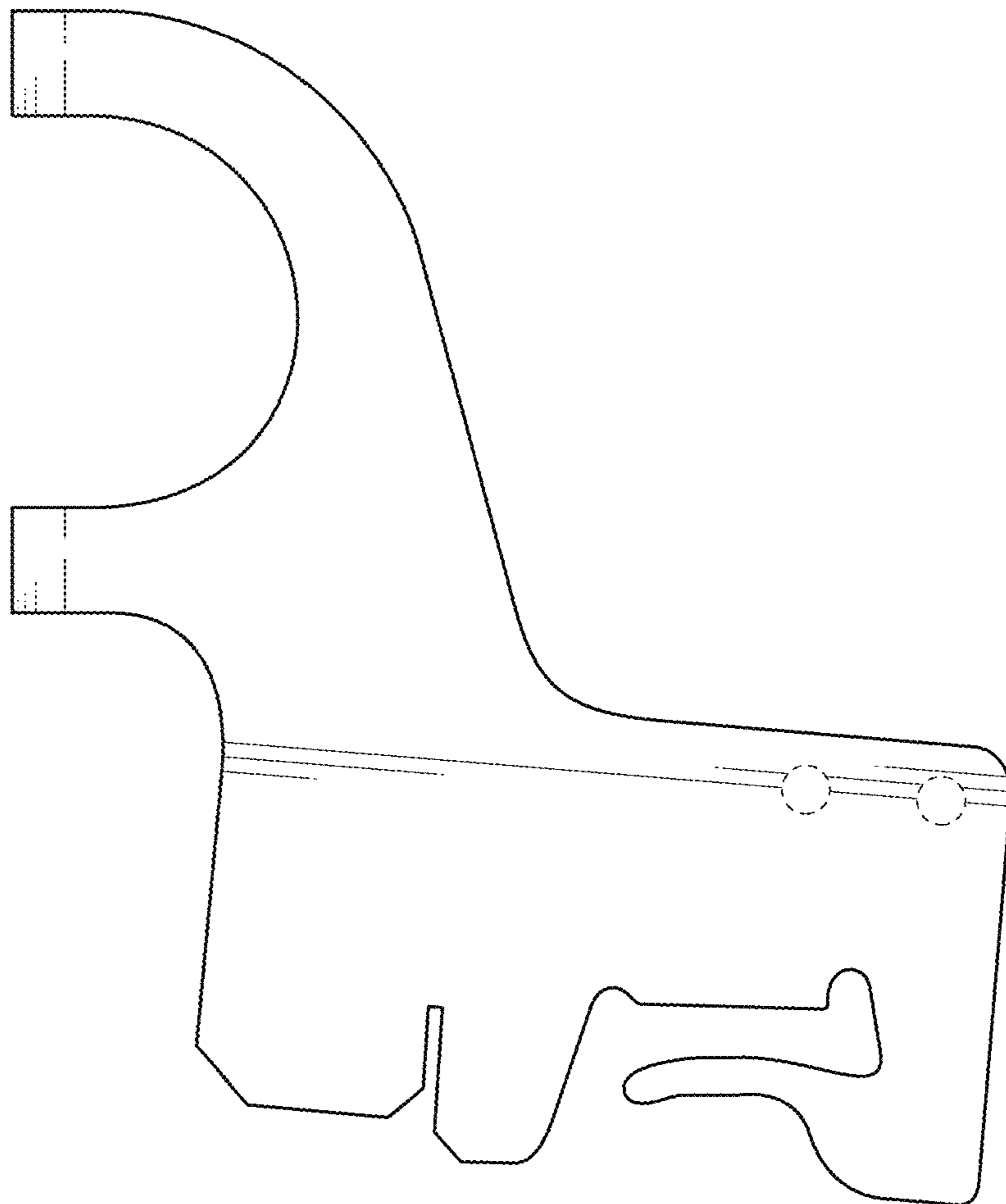


FIG. 7