



US00D821183S

(12) **United States Design Patent**
Bargetzi

(10) **Patent No.:** **US D821,183 S**
(45) **Date of Patent:** **** Jun. 26, 2018**

(54) **CABLE MANAGEMENT HUB**

- (71) Applicant: **Crestron Electronics, Inc.**, Rockleigh, NJ (US)
- (72) Inventor: **Fred Bargetzi**, Rockleigh, NJ (US)
- (73) Assignee: **Crestron Electronics, Inc.**, Rockleigh, NJ (US)
- (**) Term: **15 Years**
- (21) Appl. No.: **29/590,243**
- (22) Filed: **Jan. 9, 2017**

Related U.S. Application Data

- (63) Continuation-in-part of application No. 29/493,732, filed on Jun. 12, 2014, now Pat. No. Des. 788,777.
- (51) **LOC (11) Cl.** **08-05**
- (52) **U.S. Cl.**
USPC **D8/356; D13/155**
- (58) **Field of Classification Search**
USPC D8/356, 354, 349; D13/155; 320/107
CPC H02J 7/0026; H02J 7/0021; H02J 7/0027;
Y02E 60/12
See application file for complete search history.

(56) **References Cited**

U.S. PATENT DOCUMENTS

- | | | | | |
|-----------|-----|---------|------------------|--------------------------|
| 3,062,475 | A * | 11/1962 | Miller, Jr. | A01K 97/06
242/404.3 |
| 3,646,244 | A | 2/1972 | Cole | |
| 4,150,798 | A * | 4/1979 | Aragon | H02G 11/02
191/12.2 R |
| 4,390,142 | A * | 6/1983 | Cheng | H02G 11/02
242/388.1 |
| 5,553,864 | A | 9/1996 | Sitrick | |
| 5,873,540 | A * | 2/1999 | Hardin | B65H 75/143
206/406 |
| 5,940,521 | A | 8/1999 | East et al. | |

(Continued)

OTHER PUBLICATIONS

Product Data Sheet for "Pixel" by Office Electrics, www.office-electrics.com, www.elsafe.com/au, Dec. 23, 2013.
(Continued)

Primary Examiner — Cynthia Underwood
(74) *Attorney, Agent, or Firm* — Crestron Electronics, Inc

(57) **CLAIM**

The ornamental design for a cable management hub, as shown and described.

DESCRIPTION

FIG. 1 is a top perspective view of a cable management hub for use on a table in a cable management system in a disassembled state in relationship to a table portion according to an embodiment.

FIG. 2 is a top perspective view of the cable management hub of FIG. 1 shown partially assembled.

FIG. 3 is a top view of the cable management hub.

FIG. 4 is a top view of the cable management hub with a table portion, absent a cover plate such that a plurality of cable connectors are visible within a hub well of the cable management hub.

FIG. 5 is a bottom view of the cable management hub.

FIG. 6 is a first side view of the cable management hub.

FIG. 7 is a second side view of the cable management hub.

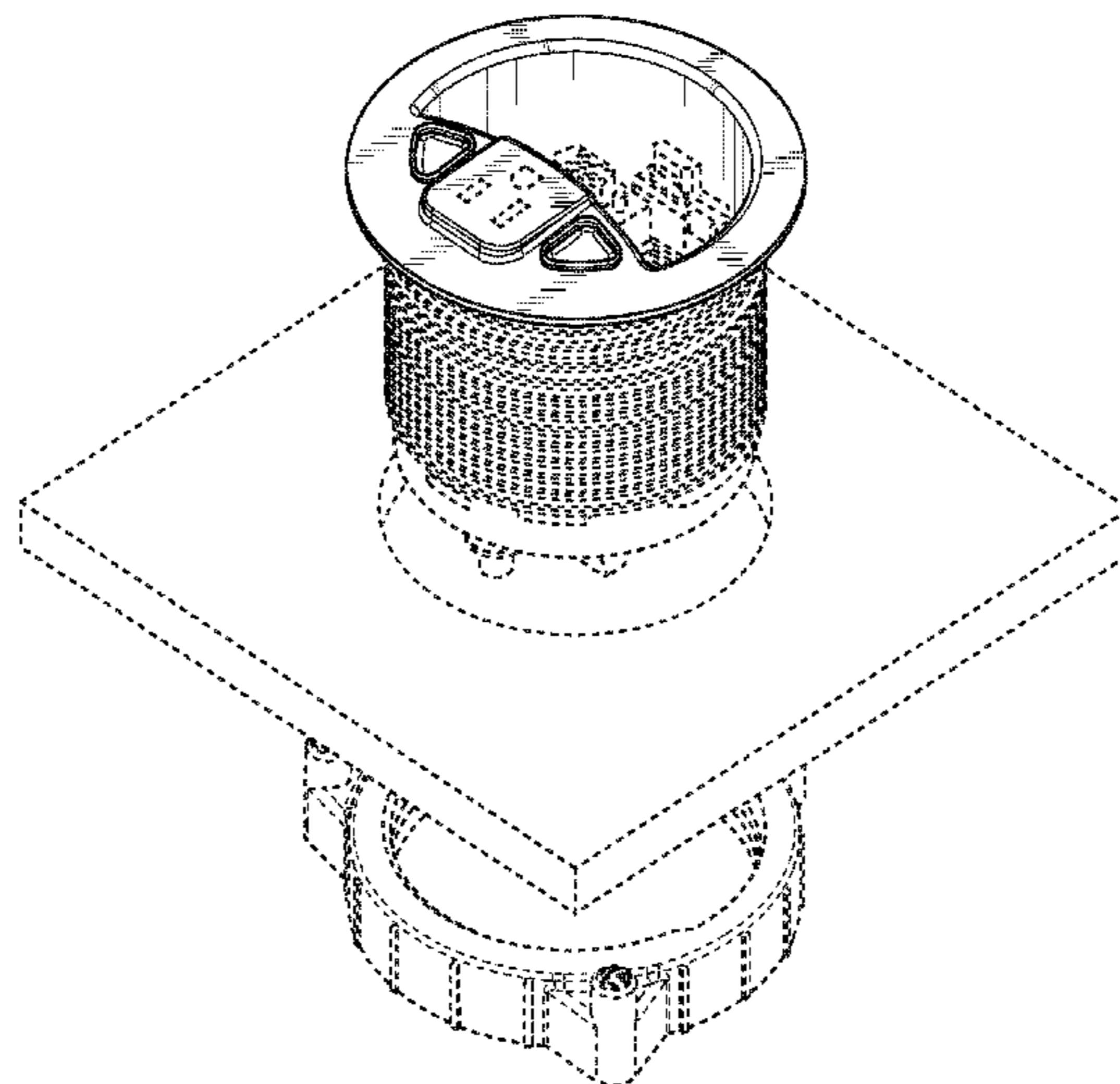
FIG. 8 is a top perspective view of the cable management hub; and,

FIG. 9 is a bottom perspective view of the cable management hub.

The portion of the tabletop shown in FIGS. 1 and 4 are for illustrative purposes only and forms no part of the claimed design.

The broken lines represent environment and/or portions of the invention that form no part of the claim.

1 Claim, 9 Drawing Sheets



(56)

References Cited

U.S. PATENT DOCUMENTS

6,234,418 B1 * 5/2001 Donaldson B65H 75/28
 191/12.2 R
 D484,097 S * 12/2003 Drane D13/139.4
 6,966,791 B1 * 11/2005 Farr B65H 75/406
 206/303
 7,077,693 B1 * 7/2006 Symons H01R 13/72
 191/12.4
 7,163,409 B1 1/2007 Chen et al.
 D539,117 S * 3/2007 Sealey D8/349
 D542,123 S * 5/2007 Symons D8/356
 D553,306 S 10/2007 Hansen
 D554,017 S * 10/2007 Hampton D10/119.1
 7,399,199 B2 * 7/2008 Symons H01R 13/72
 439/242
 D591,678 S * 5/2009 Whitley D13/133
 D598,480 S * 8/2009 Kanemitsu D15/148
 7,654,484 B2 * 2/2010 Mogensen A61M 5/1418
 242/402
 7,686,830 B2 * 3/2010 Collier A61B 17/0401
 24/115 N
 7,806,723 B2 10/2010 Chong et al.
 7,822,065 B2 10/2010 Lu
 D631,730 S * 2/2011 Skillman B65H 75/143
 D8/356
 D644,306 S * 8/2011 Douglass, III D23/269
 8,007,295 B2 8/2011 Lin
 D645,334 S * 9/2011 Kanemitsu D8/360
 D647,853 S 11/2011 Kan
 8,260,482 B1 9/2012 Szybalski et al.
 D685,771 S * 7/2013 Bertenthal D14/223
 8,474,105 B2 * 7/2013 Naquin B63B 21/20
 24/115 R
 8,475,186 B1 * 7/2013 Sikkema H01R 13/447
 439/131
 D714,726 S * 10/2014 Byrne D13/137.1

D716,640 S * 11/2014 Martinson D8/356
 D722,621 S * 2/2015 Gray D15/28
 D735,020 S * 7/2015 Bradford D8/356
 D741,266 S * 10/2015 Byrne D13/138.2
 9,187,291 B2 * 11/2015 Alexandre B65H 75/34
 D748,455 S * 2/2016 Symons D8/356
 D754,079 S * 4/2016 Baldwin D13/156
 D779,435 S * 2/2017 Callahan H02G 3/12
 D13/139.4
 D788,777 S * 6/2017 Bargetzi D14/433
 2002/0074460 A1 6/2002 Behar
 2002/0145073 A1 * 10/2002 Swanson A61F 15/002
 242/588.3
 2003/0028884 A1 2/2003 Swart et al.
 2003/0122023 A1 * 7/2003 Pitcher B65H 75/143
 242/388.1
 2004/0178398 A1 * 9/2004 Miller F16H 55/44
 254/390
 2011/0036676 A1 * 2/2011 Skillman B65H 75/143
 191/12.4
 2012/0305868 A1 12/2012 Callahan et al.
 2013/0174045 A1 7/2013 Sarukkai et al.
 2013/0247096 A1 9/2013 Miller et al.
 2013/0324244 A1 12/2013 Mikhallov et al.
 2013/0327569 A1 12/2013 Stathis et al.
 2014/0179428 A1 6/2014 Miura et al.
 2015/0008805 A1 1/2015 Kramer

OTHER PUBLICATIONS

Jul. 5, 2015 Office Action U.S. Appl. No. 14/302,996.
 Dec. 7, 2015 Response to Office Action U.S. Appl. No. 14/302,996.
 Mar. 11, 2016 Office Action U.S. Appl. No. 29/493,732.
 Aug. 3, 2016 Response to NFOA U.S. Appl. No. 29/493,732.
 Nov. 2, 2016 Final Office Action U.S. Appl. No. 29/493,732.
 Dec. 22, 2016 After Final Response U.S. Appl. No. 29/493,732.
 Dec. 18, 2015 Notice of Allowance U.S. Appl. No. 14/302,996.

* cited by examiner

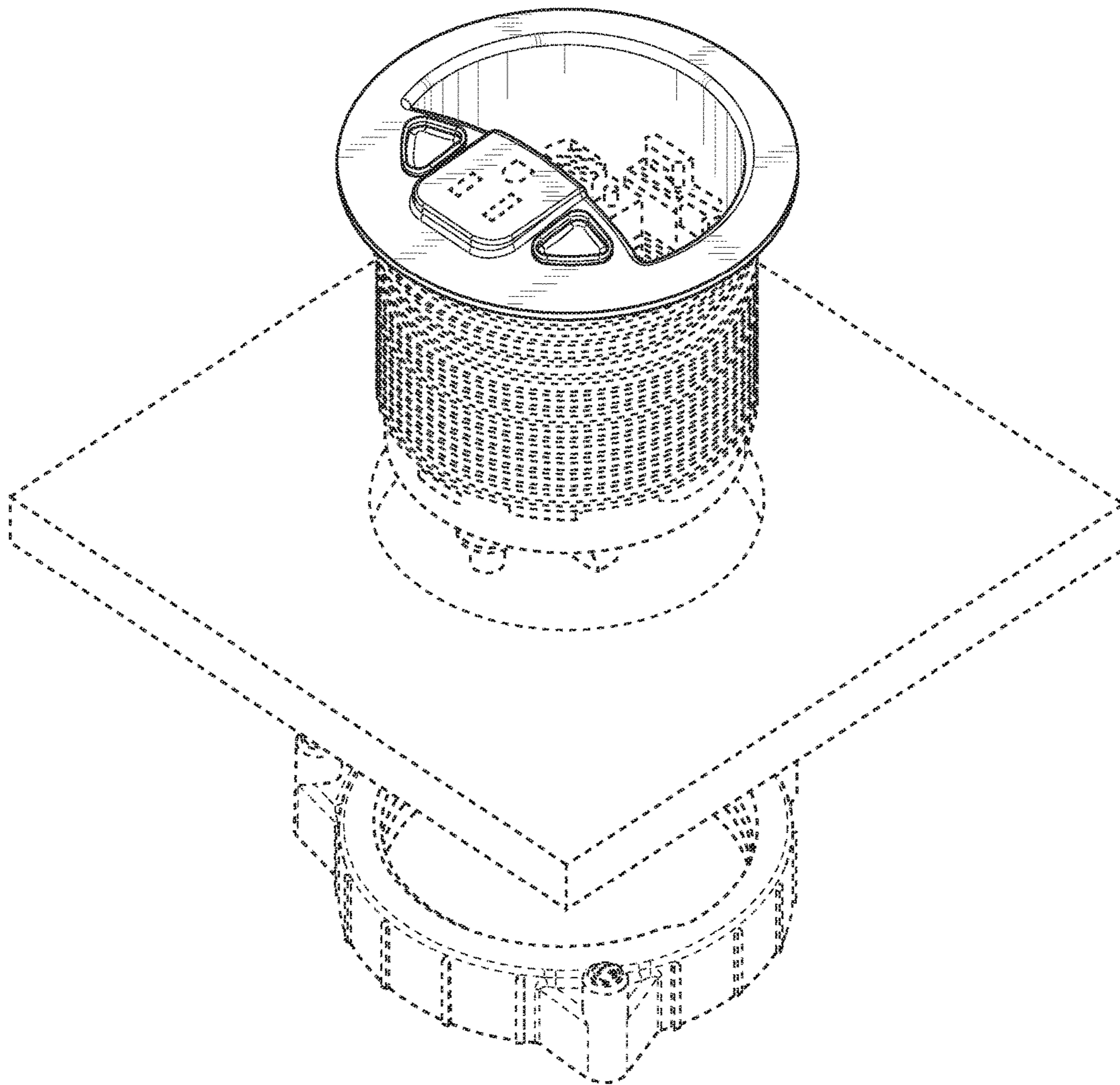


FIG. 1

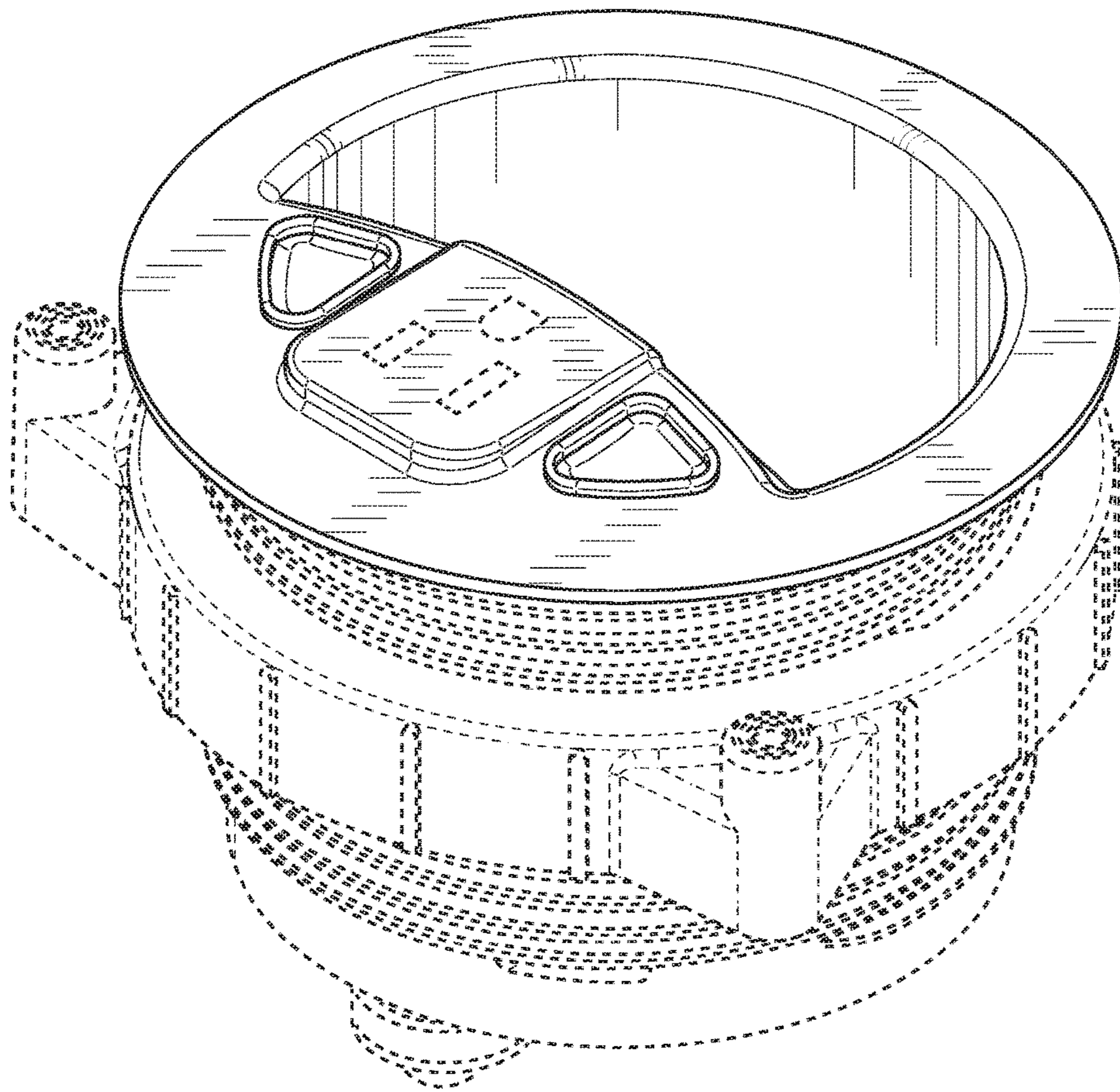


FIG. 2

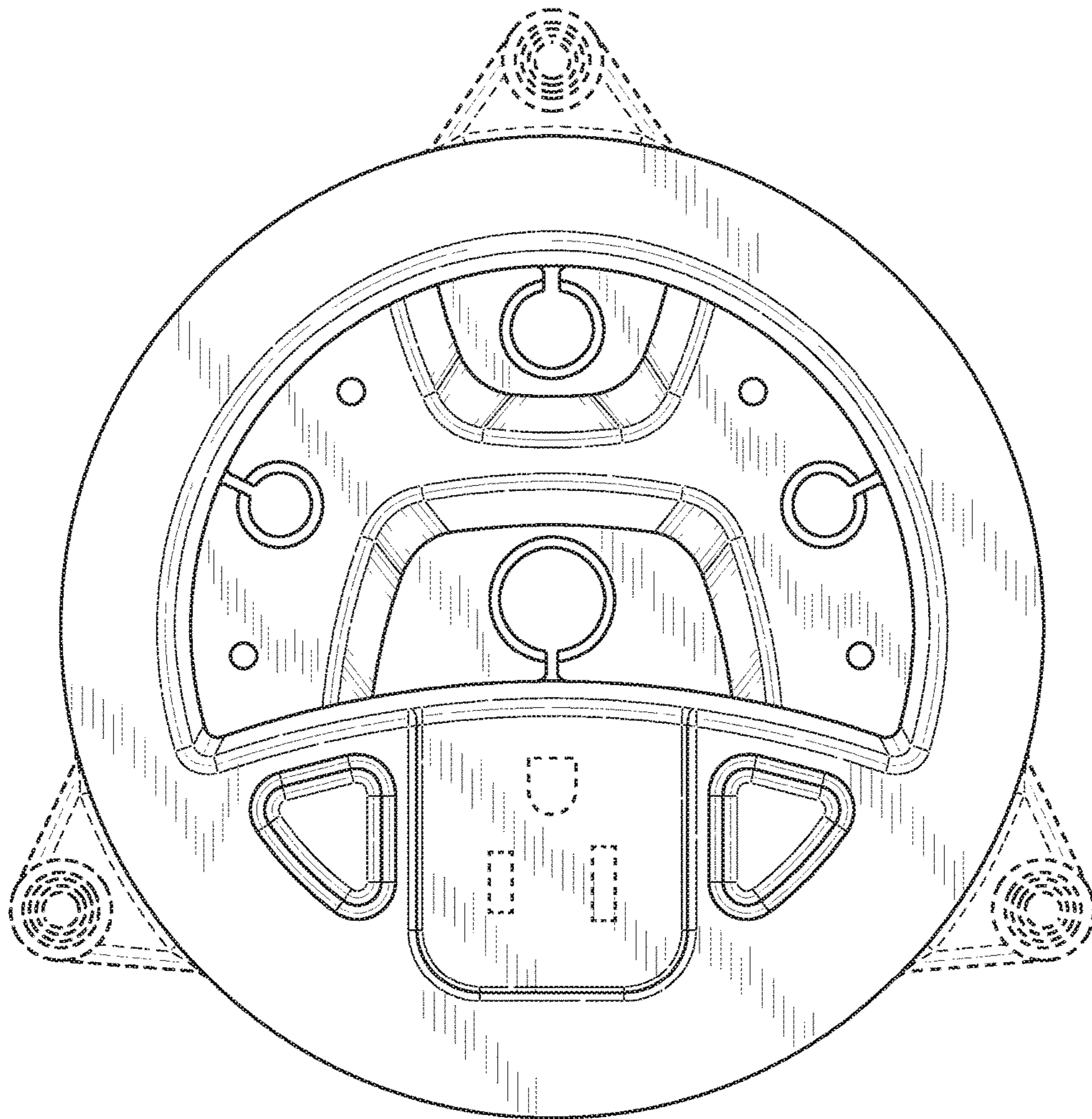


FIG. 3

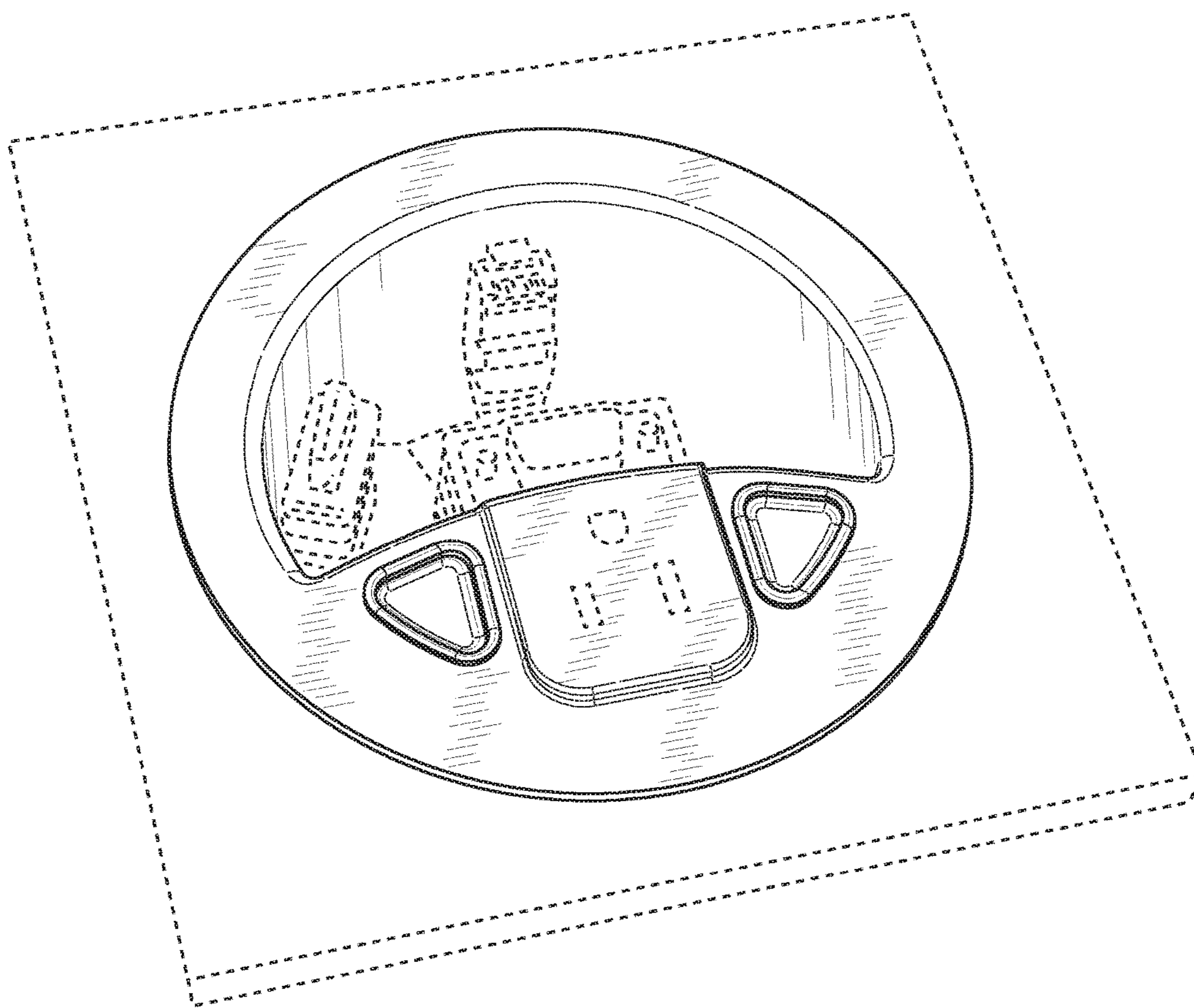


FIG. 4

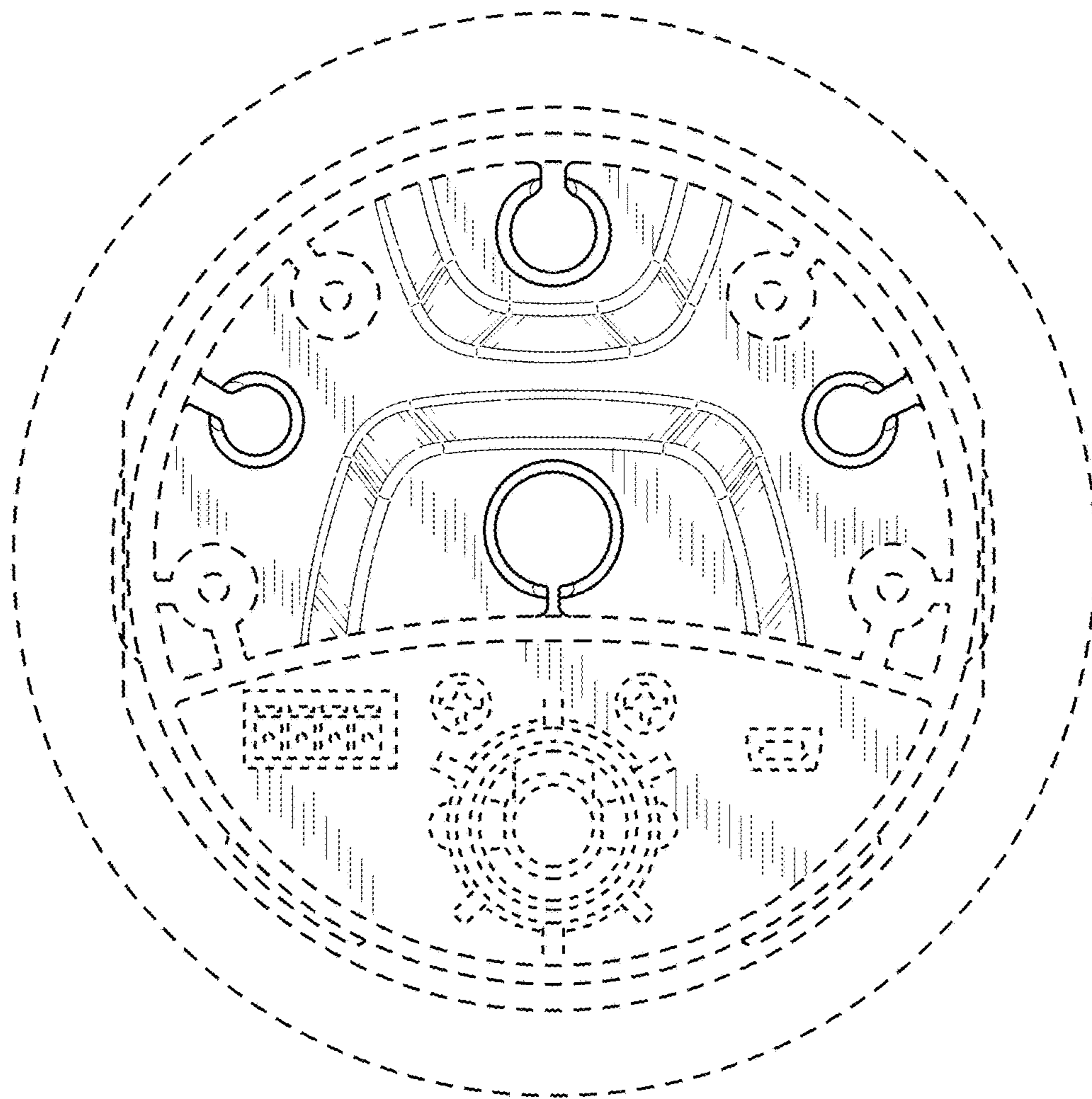


FIG. 5

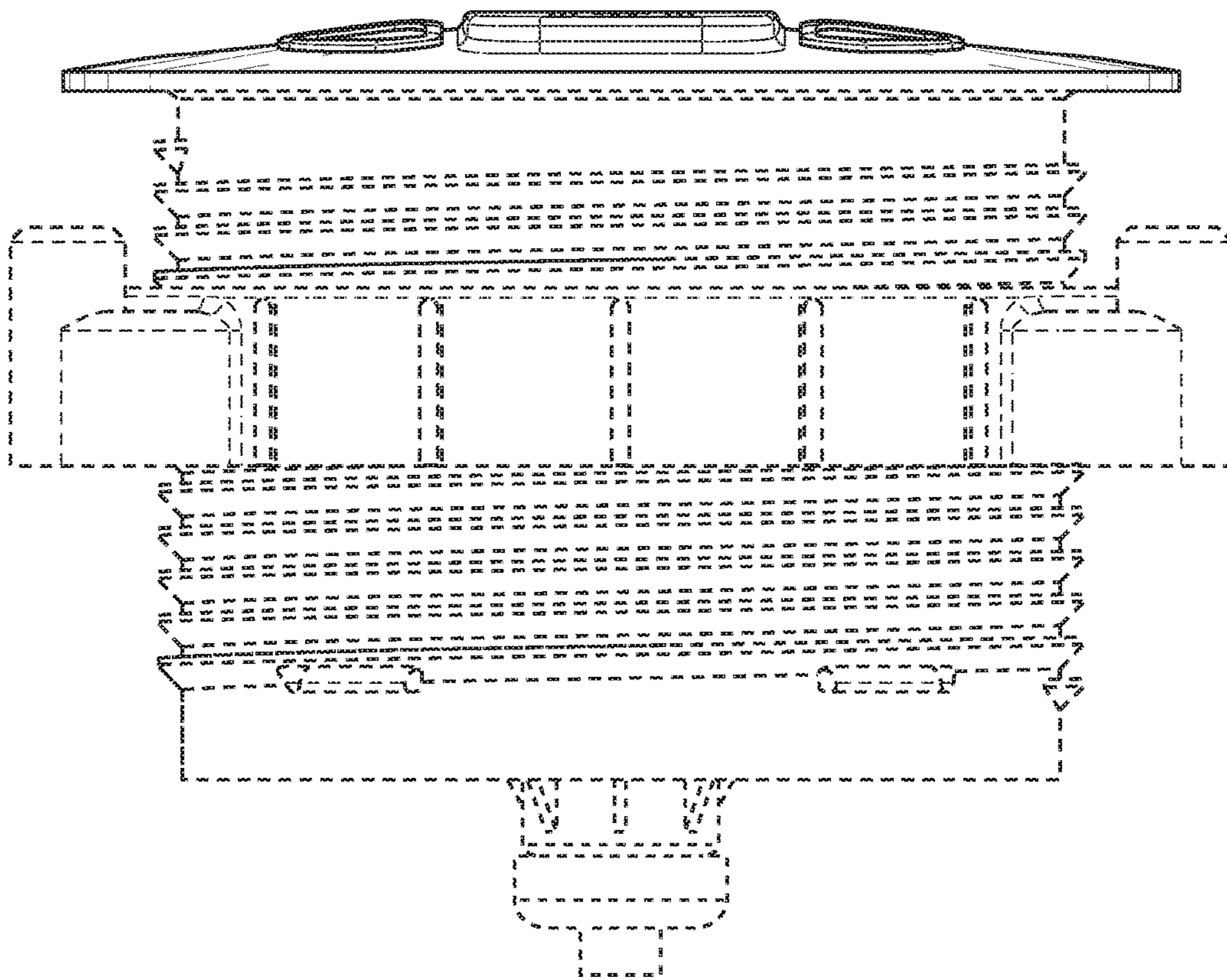


FIG. 6

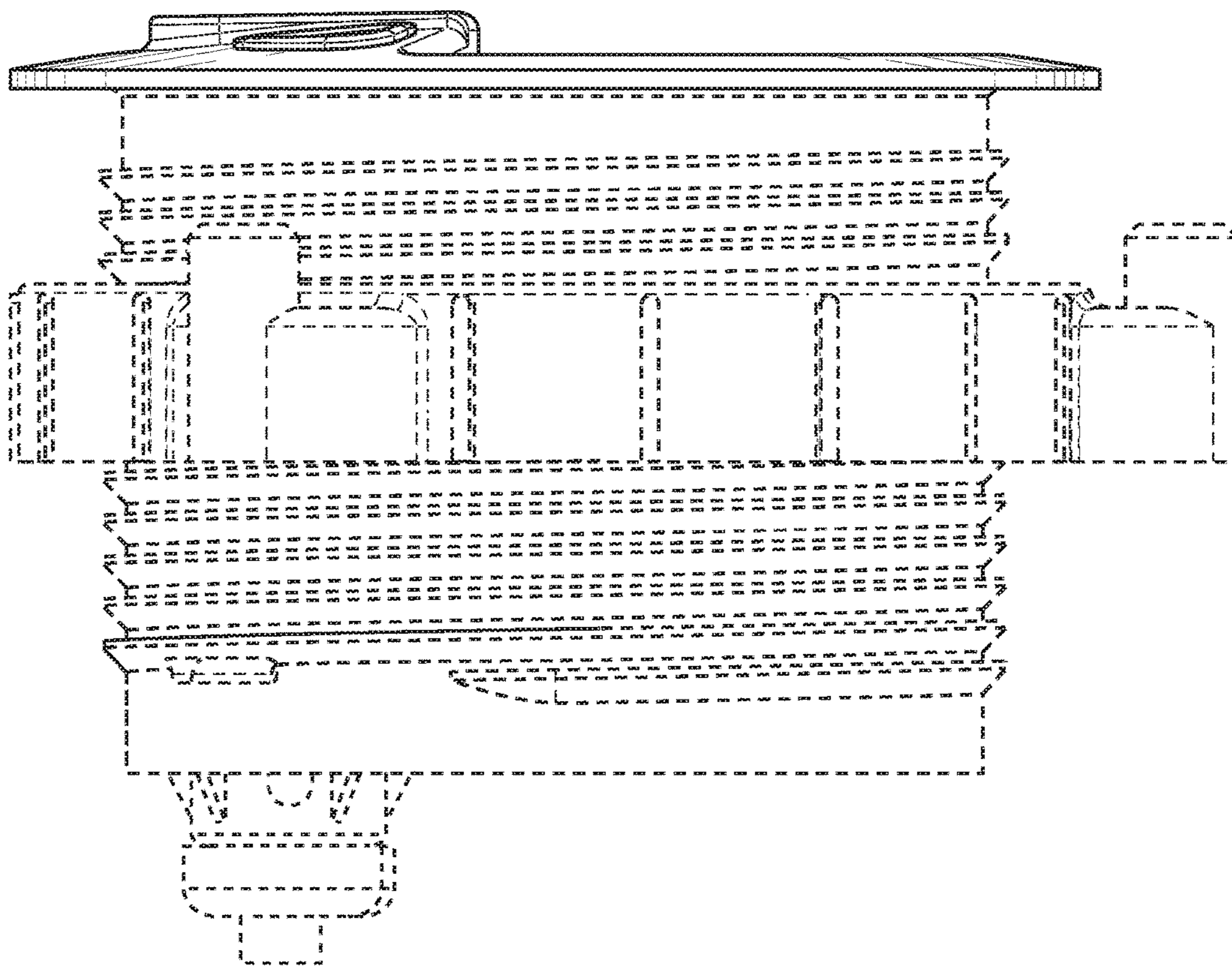


FIG. 7

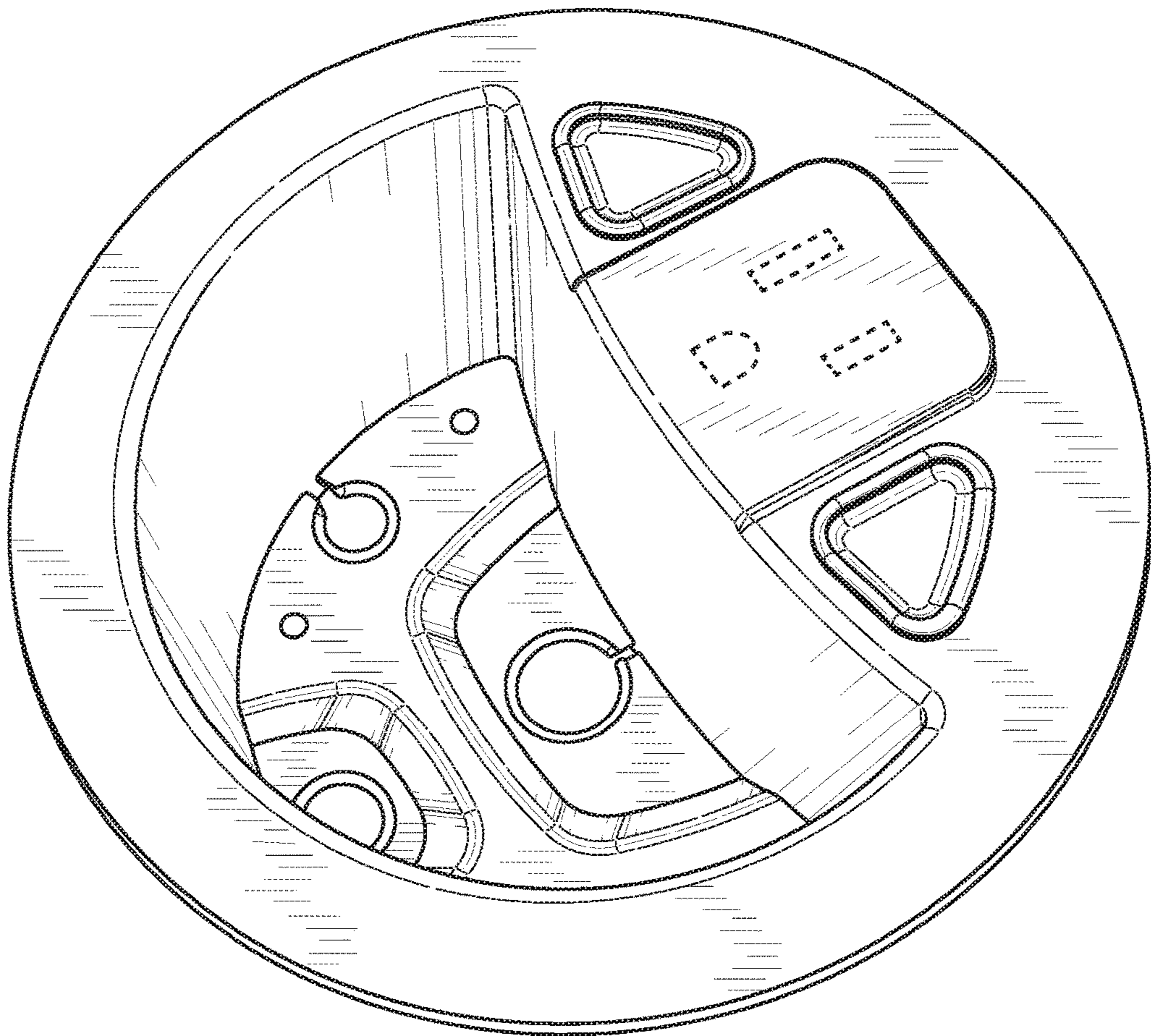


FIG. 8

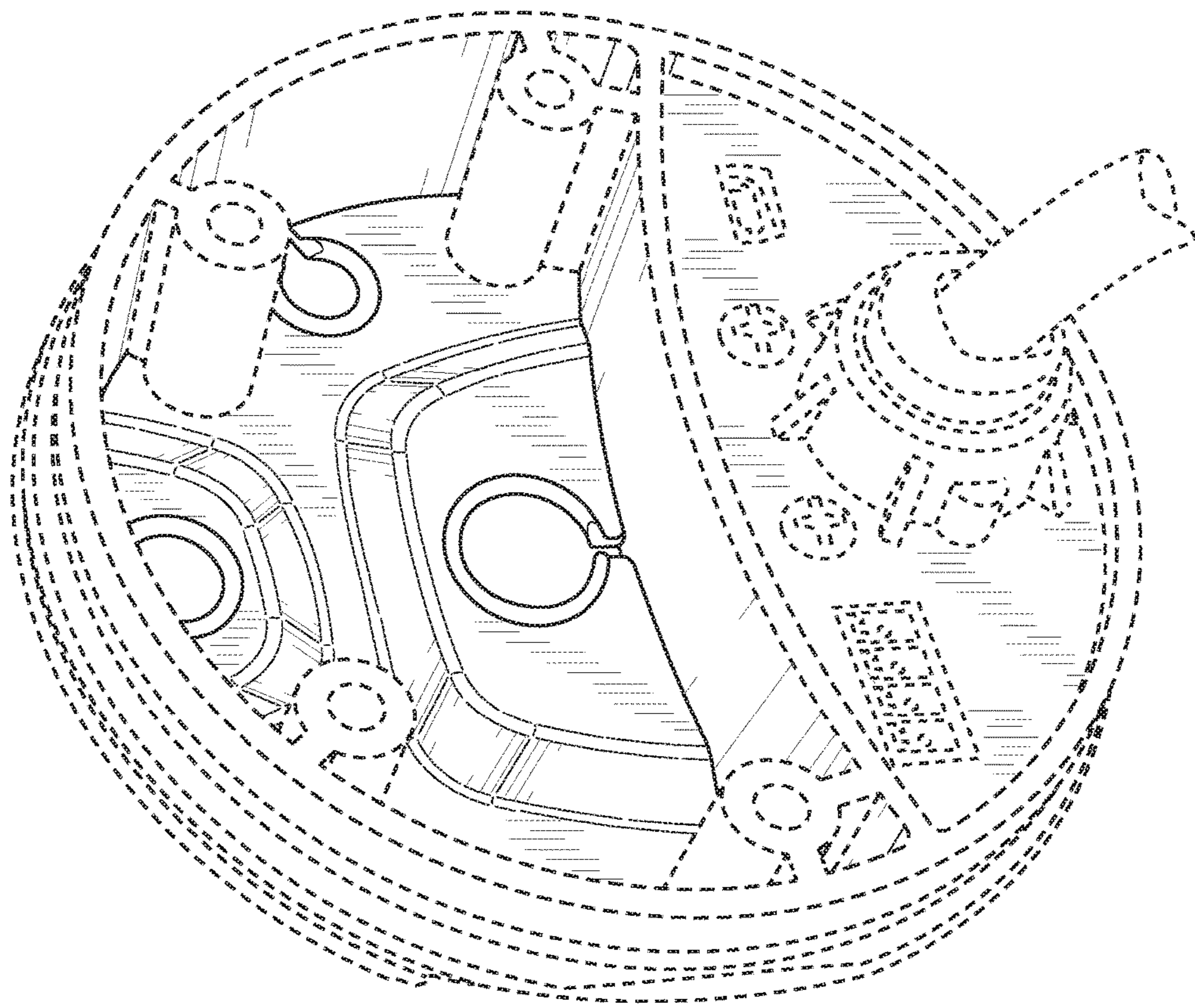


FIG. 9