



US00D821182S

(12) **United States Design Patent**  
**Ito et al.**

(10) **Patent No.:** **US D821,182 S**  
(45) **Date of Patent:** **\*\* Jun. 26, 2018**

(54) **SPACER**  
(71) Applicant: **SMC CORPORATION**, Tokyo (JP)  
(72) Inventors: **Shinichi Ito**, Toride (JP); **Michihiro Hanada**, Tsukubamirai (JP)  
(73) Assignee: **SMC CORPORATION**, Tokyo (JP)

8,523,246 B2 \* 9/2013 Yamauchi ..... F15B 21/048  
285/124.5  
D696,097 S \* 12/2013 Wada ..... D8/354  
D696,098 S \* 12/2013 Wada ..... D8/354  
D696,099 S \* 12/2013 Wada ..... D8/354  
D696,100 S \* 12/2013 Wada ..... D8/354  
D696,101 S \* 12/2013 Wada ..... D8/354

(\*\*) Term: **15 Years**  
(21) Appl. No.: **29/606,628**  
(22) Filed: **Jun. 6, 2017**

**FOREIGN PATENT DOCUMENTS**

JP 1434474 S 2/2012  
JP 1544046 S 2/2016  
JP 1544422 S 2/2016  
JP 1544423 S 2/2016  
JP 1544424 S 2/2016

(30) **Foreign Application Priority Data**

\* cited by examiner

Dec. 7, 2016 (JP) ..... 2016-026521  
(51) **LOC (11) Cl.** ..... **08-05**  
(52) **U.S. Cl.**  
USPC ..... **D8/354**  
(58) **Field of Classification Search**  
USPC ..... D8/349, 354, 355, 356, 364, 373, 380,  
D8/382, 396, 499; D23/259-269, 235,  
D23/249; 285/125.1, 24, 364, 334.1, 83,  
285/275, 277, 61, 325, 421; 248/317,  
248/300, 200, 205.1, 207, 220.21, 226.11,  
248/309.1, 351, 682  
CPC . F16L 23/08; F16L 23/16; F16L 23/18; F15B  
21/048  
See application file for complete search history.

*Primary Examiner* — Lakiya G Rogers  
*Assistant Examiner* — Harold E Blackwell, II  
(74) *Attorney, Agent, or Firm* — Birch, Stewart, Kolasch  
& Birch, LLP

(56) **References Cited**

(57) **CLAIM**

The ornamental design for a spacer, as shown.

**U.S. PATENT DOCUMENTS**

**DESCRIPTION**

4,070,045 A \* 1/1978 Colter ..... F16L 37/26  
184/55.2  
6,896,301 B2 \* 5/2005 Brice ..... F16L 23/08  
285/364

FIG. 1 is a front, top and left side perspective view of a spacer showing our new design;  
FIG. 2 is a rear, bottom and right side perspective view thereof;  
FIG. 3 is a rear, top and right side perspective view thereof;  
FIG. 4 is a front view thereof;  
FIG. 5 is a rear view thereof;  
FIG. 6 is a top plan view thereof;  
FIG. 7 is a bottom plan view thereof;  
FIG. 8 is a left side view thereof; and,  
FIG. 9 is a right side view thereof.

**1 Claim, 9 Drawing Sheets**

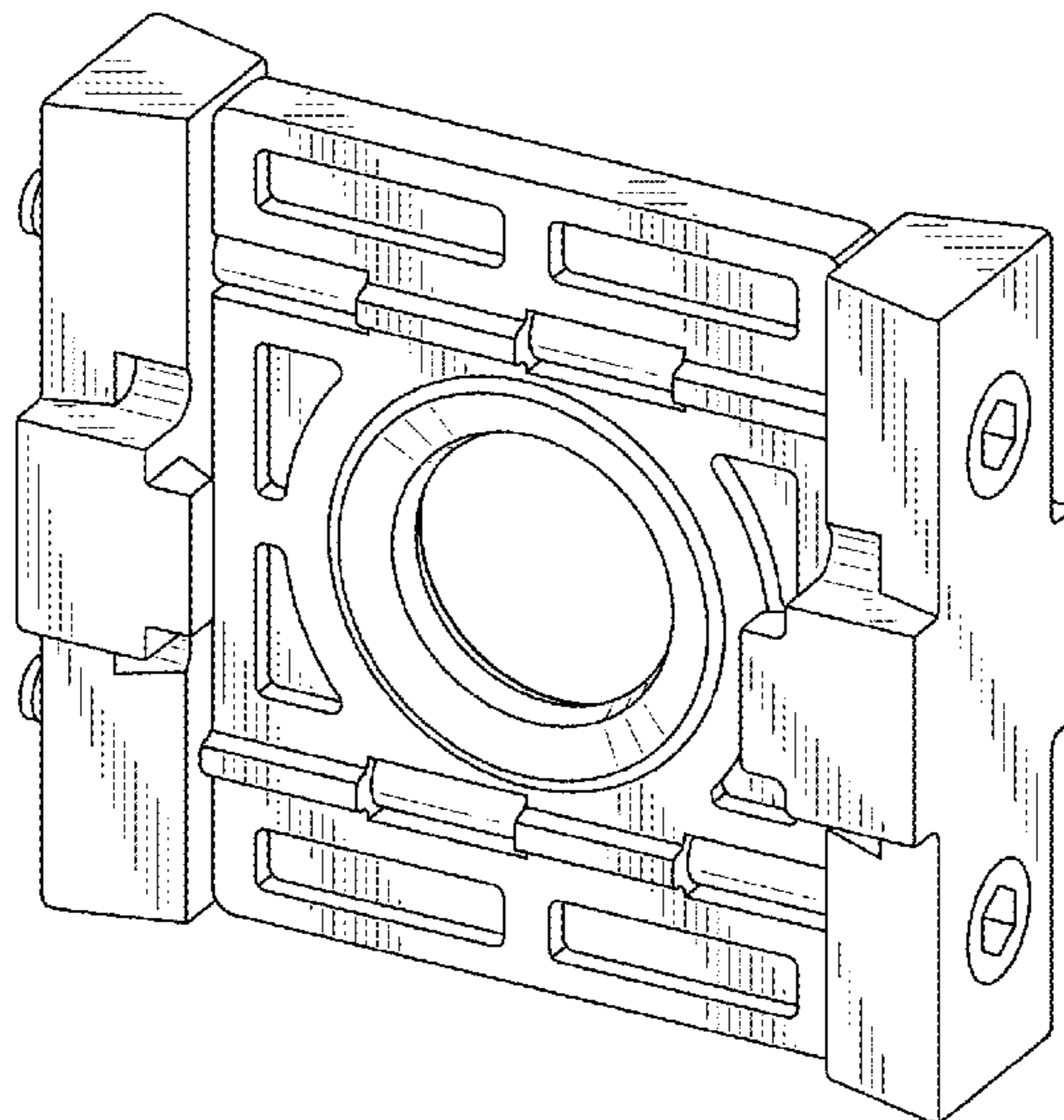


FIG. 1

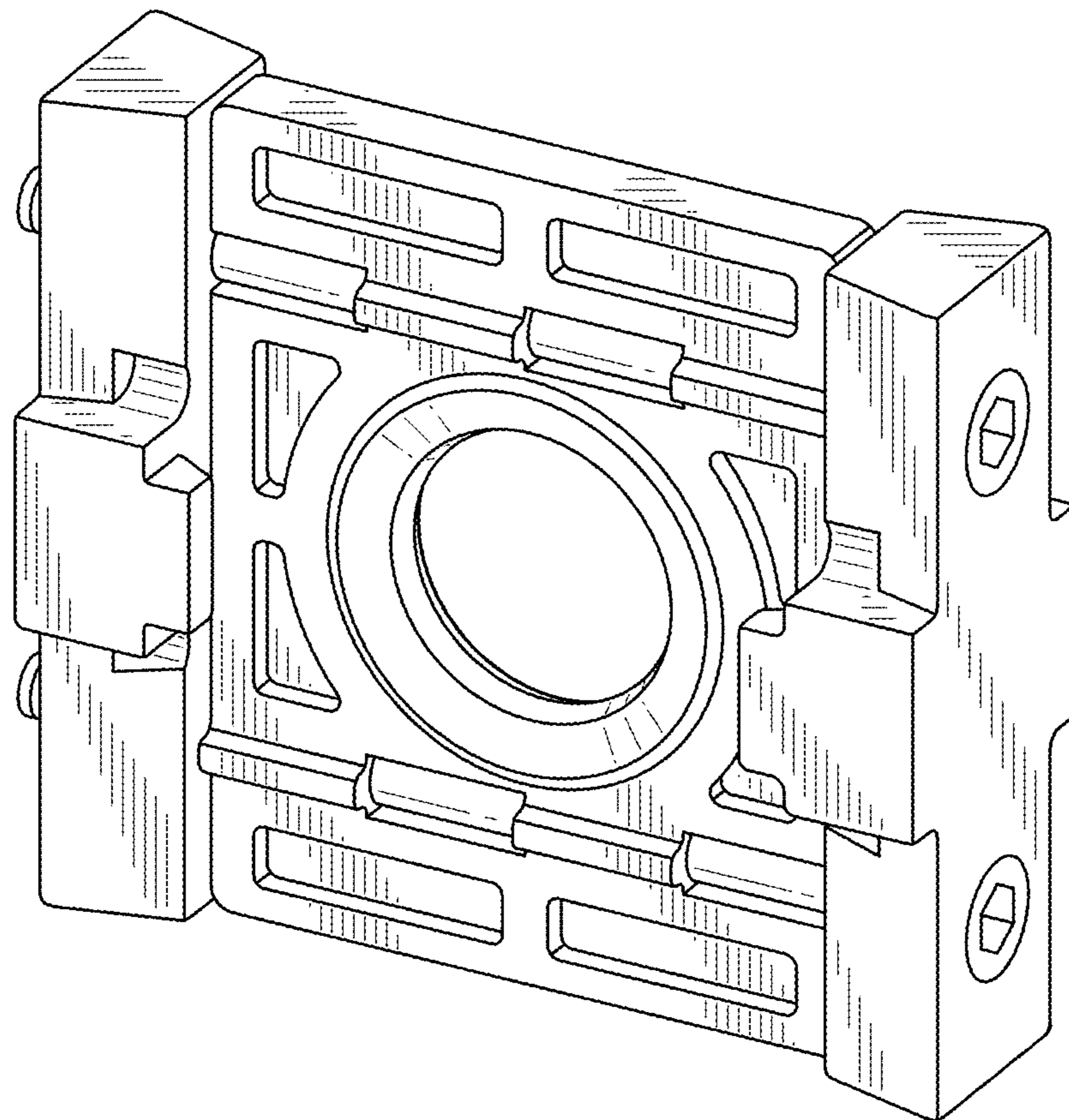


FIG. 2

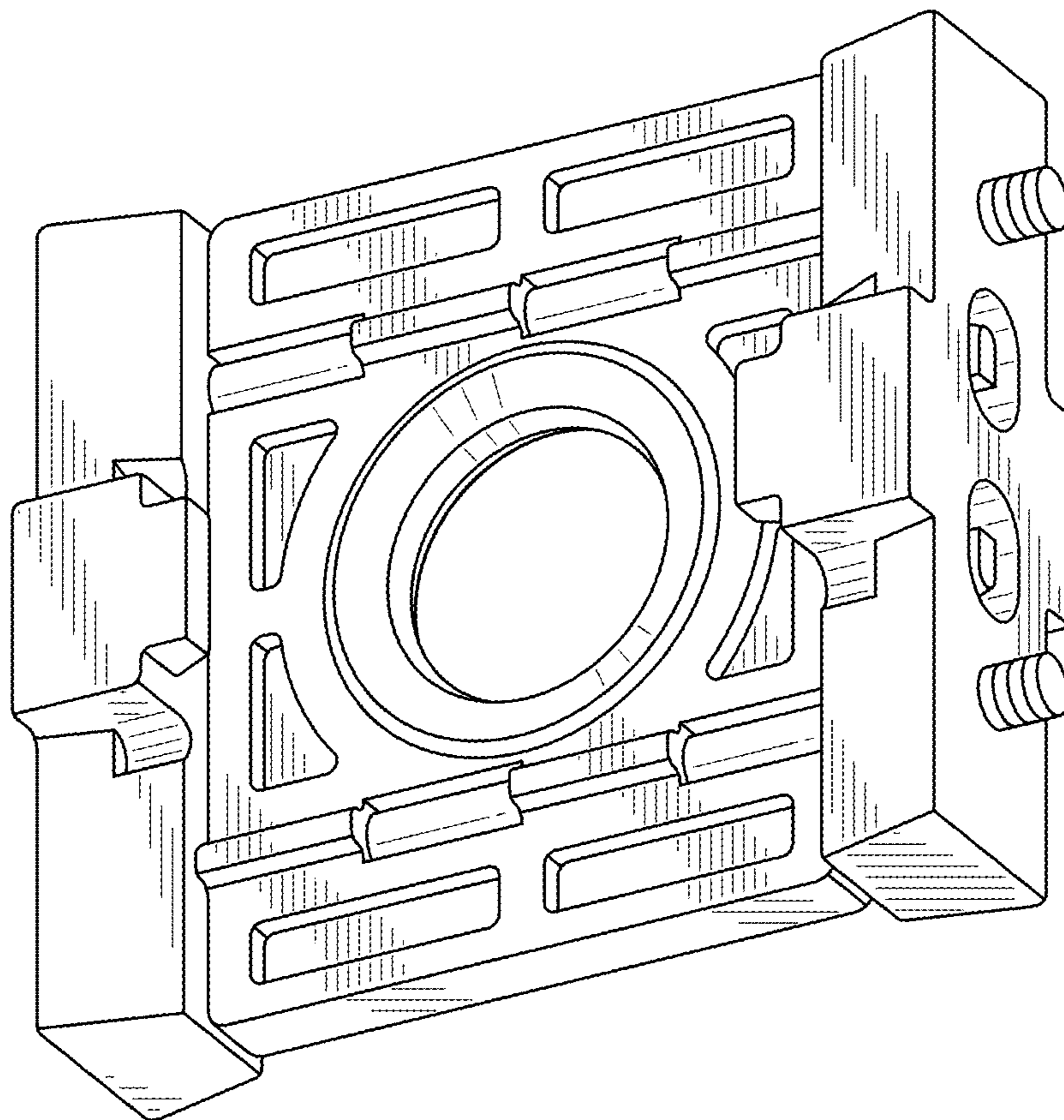


FIG. 3

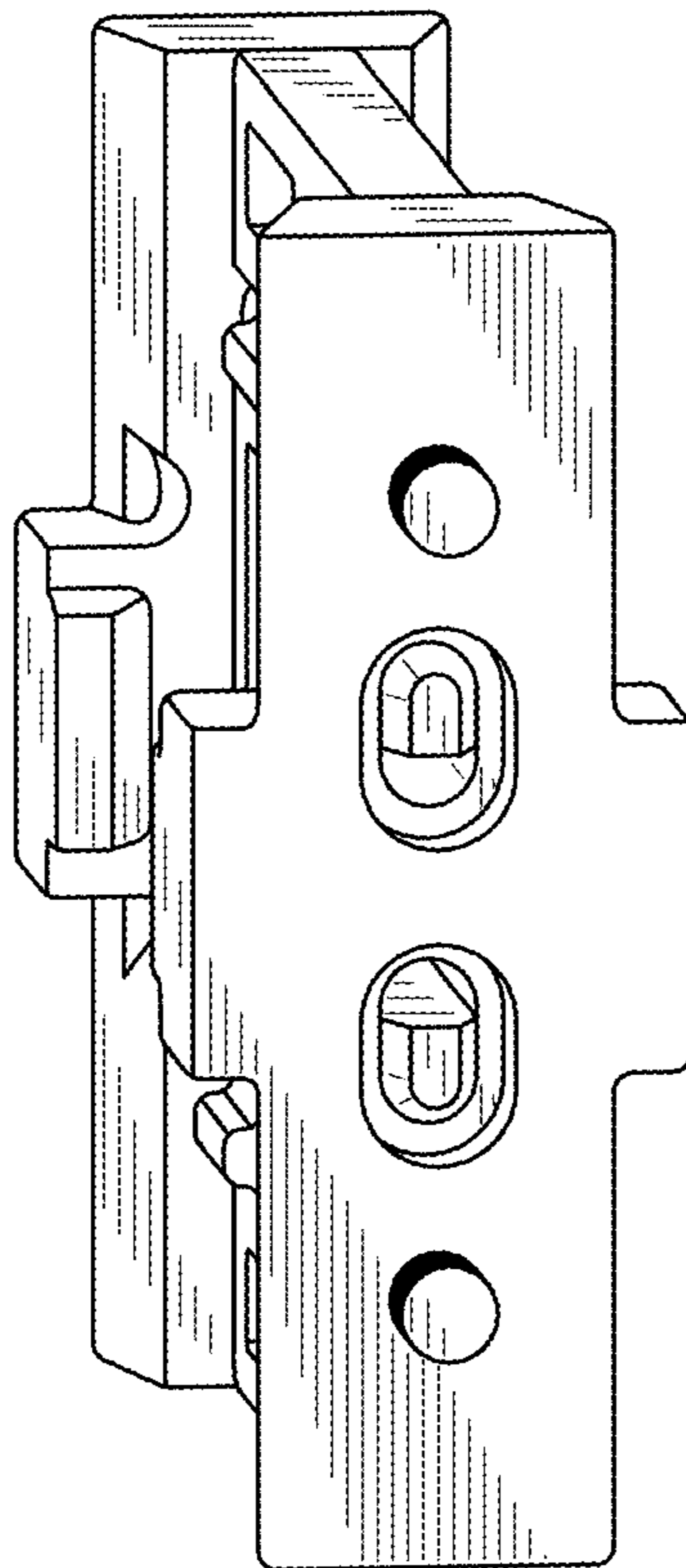


FIG. 4

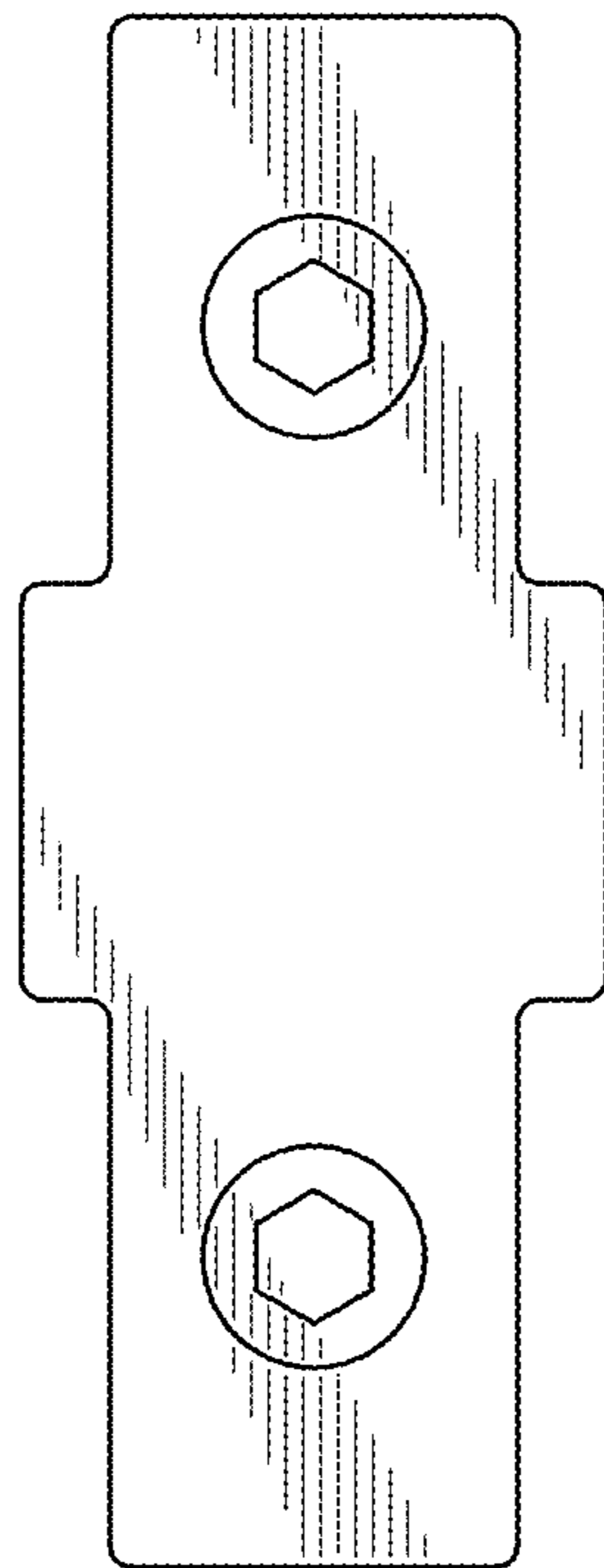


FIG. 5

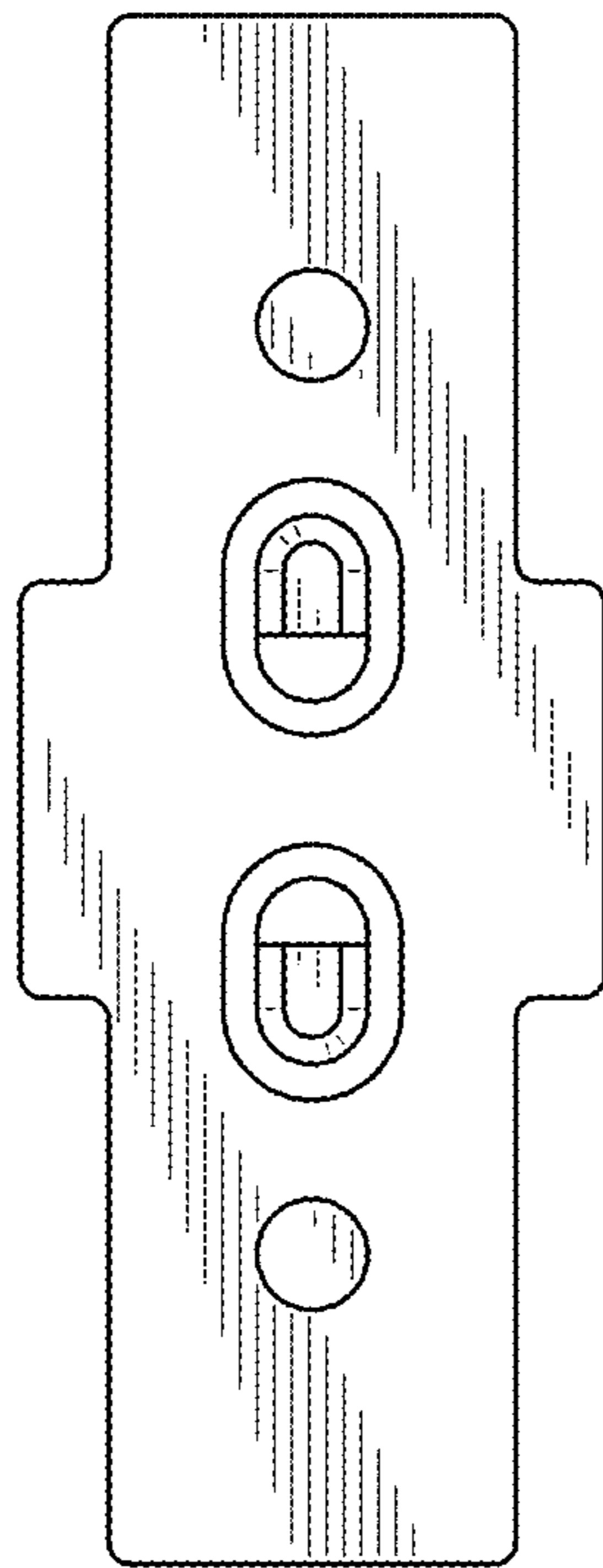


FIG. 6

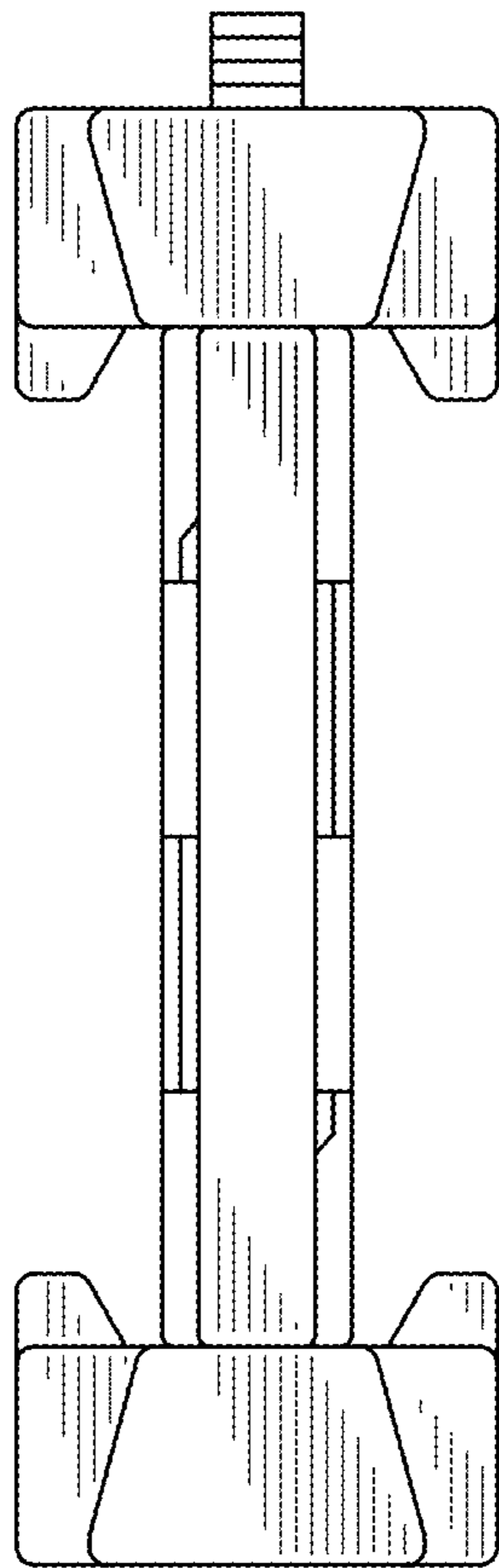


FIG. 7

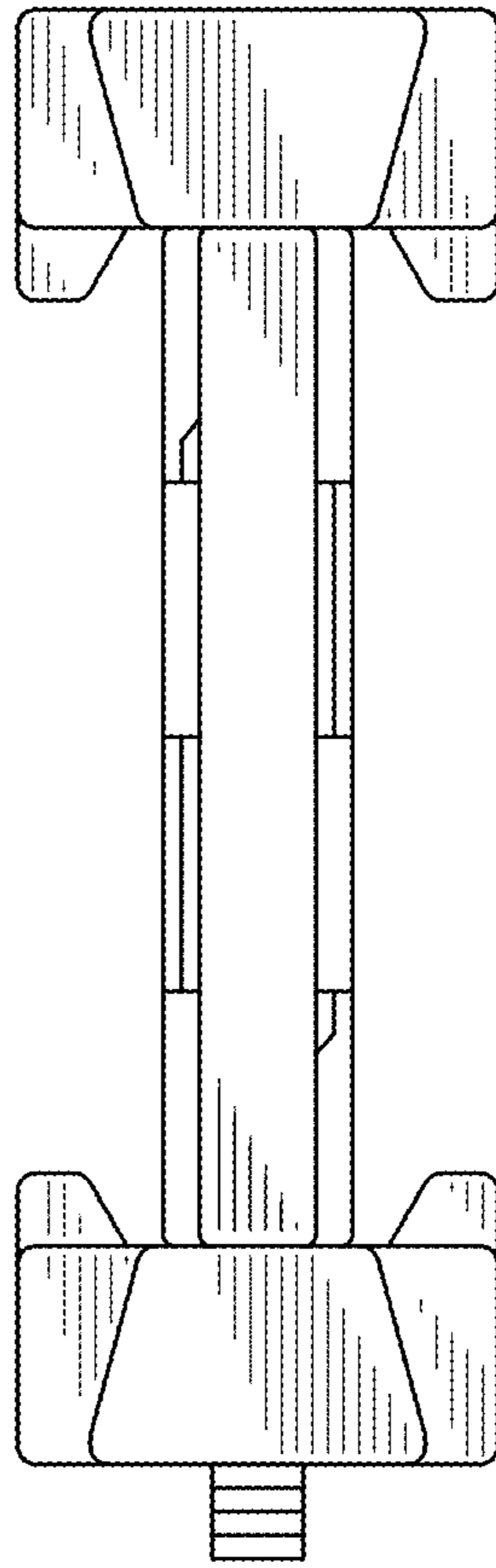




FIG. 8

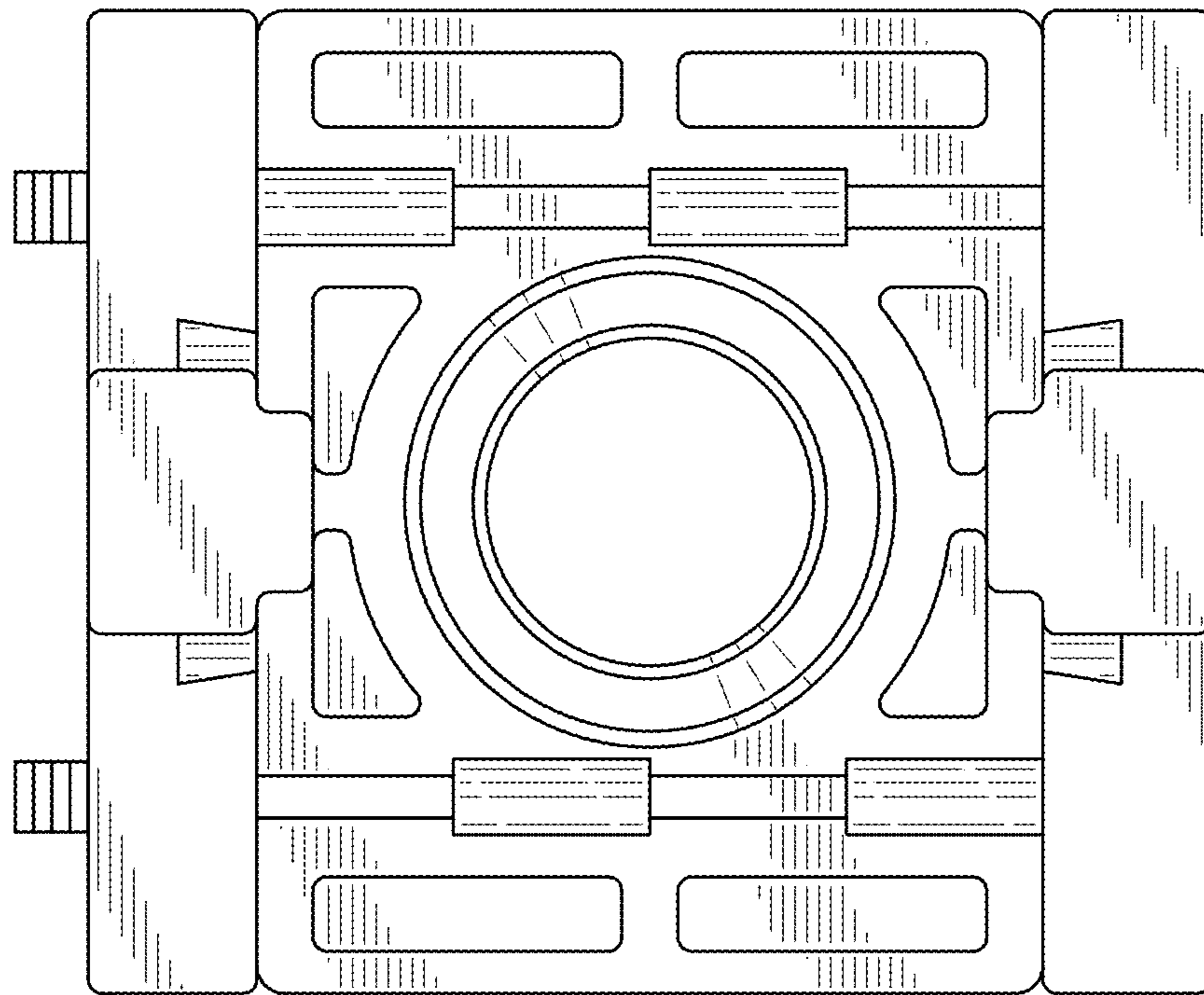


FIG. 9

