



US00D821181S

(12) **United States Design Patent** (10) **Patent No.:** **US D821,181 S**
Ito et al. (45) **Date of Patent:** **** Jun. 26, 2018**

(54) **SPACER WITH BRACKET** 8,523,246 B2 * 9/2013 Yamauchi F15B 21/048
285/124.5
(71) Applicant: **SMC CORPORATION**, Tokyo (JP) D696,097 S * 12/2013 Wada D8/354
D696,098 S * 12/2013 Wada D8/354
(72) Inventors: **Shinichi Ito**, Toride (JP); **Michihiro Hanada**, Tsukubamirai (JP) D696,099 S * 12/2013 Wada D8/354
D696,100 S * 12/2013 Wada D8/354
D696,101 S * 12/2013 Wada D8/354

(73) Assignee: **SMC CORPORATION**, Tokyo (JP)

(**) Term: **15 Years**

(21) Appl. No.: **29/606,621**

(22) Filed: **Jun. 6, 2017**

(30) **Foreign Application Priority Data**

Dec. 7, 2016 (JP) 2016-026522

(51) **LOC (11) Cl.** **08-05**

(52) **U.S. Cl.**
USPC **D8/354**

(58) **Field of Classification Search**
USPC D8/349, 354, 355, 356, 364, 373, 380,
D8/382, 396, 499; D23/259-269, 235,
D23/249; 285/125.1, 24, 364, 334.1, 83,
285/275, 277, 61, 325, 421; 248/317,
248/300, 200, 205.1, 207, 220.21, 226.11,
248/309.1, 351, 682

CPC . F16L 23/08; F16L 23/16; F16L 23/18; F15B
21/048

See application file for complete search history.

(56) **References Cited**

U.S. PATENT DOCUMENTS

4,070,045 A * 1/1978 Colter F16L 37/26
184/55.2
6,896,301 B2 * 5/2005 Brice F16L 23/08
285/364

FOREIGN PATENT DOCUMENTS

JP D1434473 S 2/2012
JP D1434795 S 2/2012
JP D1544045 S 2/2016
JP D1544418 S 2/2016

* cited by examiner

Primary Examiner — Lakiya G Rogers

Assistant Examiner — Harold E Blackwell, II

(74) *Attorney, Agent, or Firm* — Birch, Stewart, Kolasch
& Birch, LLP

(57) **CLAIM**

The ornamental design for a spacer with bracket, as shown.

DESCRIPTION

FIG. 1 is a front, top and left side perspective view of a spacer with bracket showing our new design;

FIG. 2 is a rear, bottom and right side perspective view thereof;

FIG. 3 is a rear, top and right side perspective view thereof;

FIG. 4 is a front view thereof;

FIG. 5 is a rear view thereof;

FIG. 6 is a top plan view thereof;

FIG. 7 is a bottom plan view thereof;

FIG. 8 is a left side view thereof; and,

FIG. 9 is a right side view thereof.

1 Claim, 9 Drawing Sheets

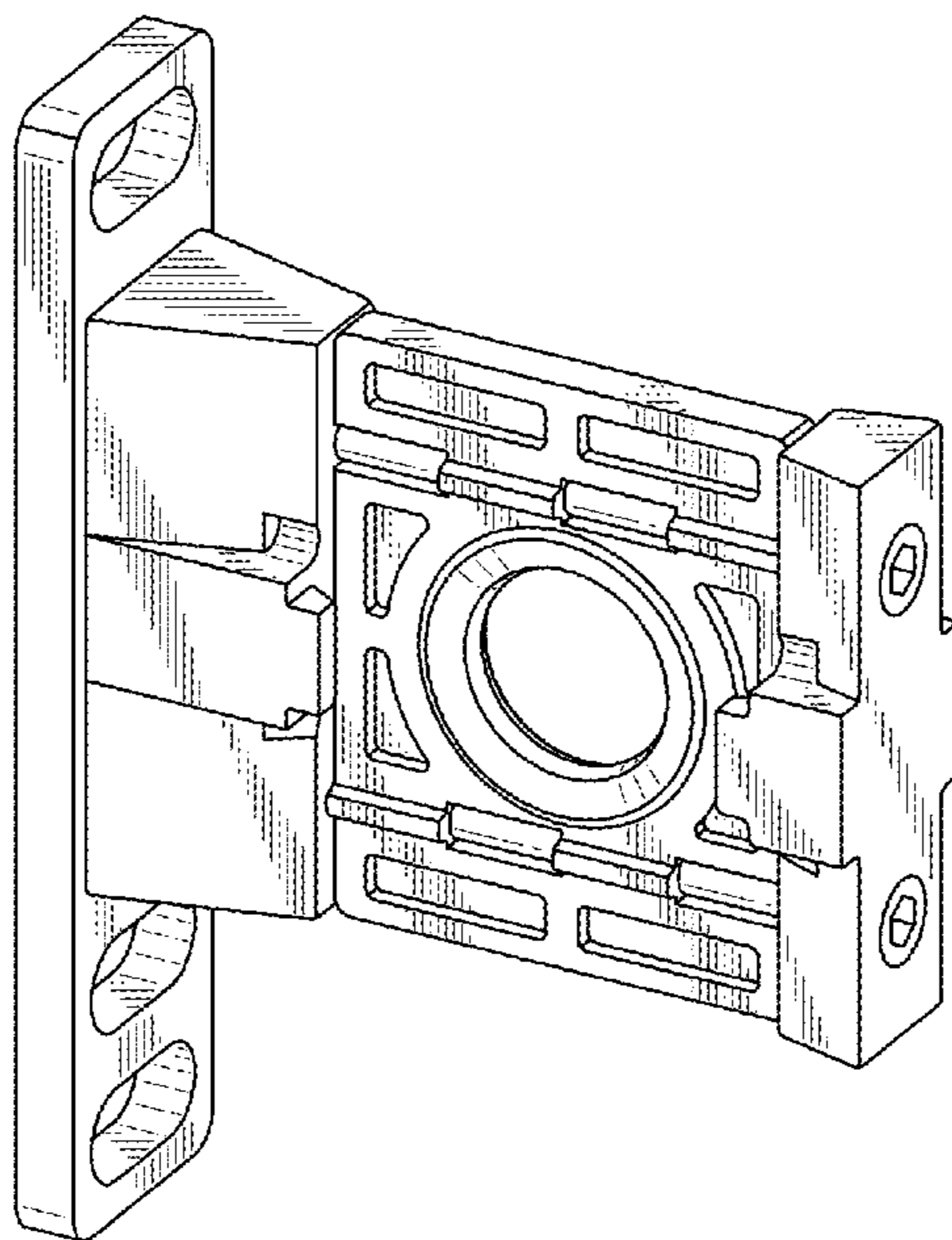


FIG. 1

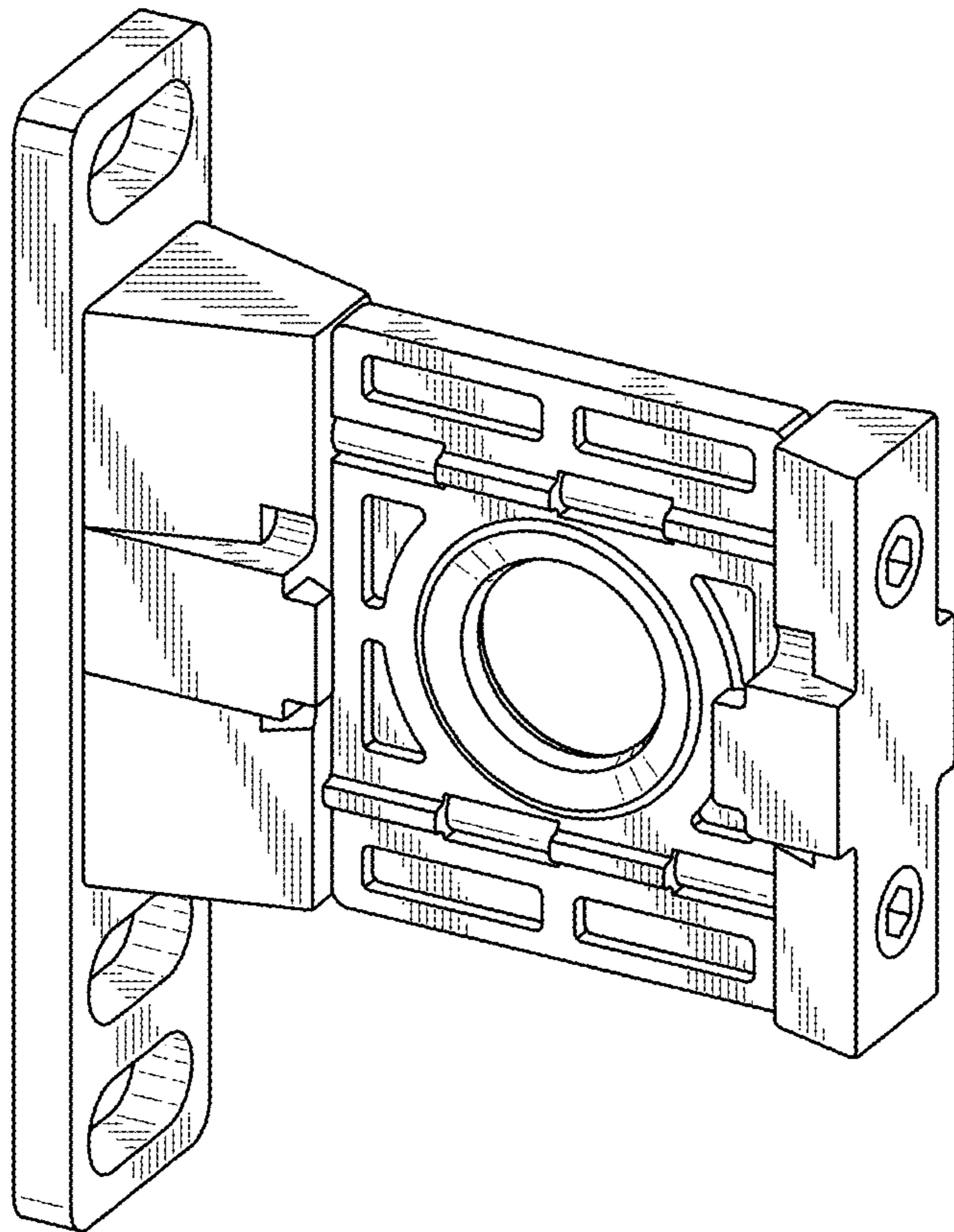


FIG. 2

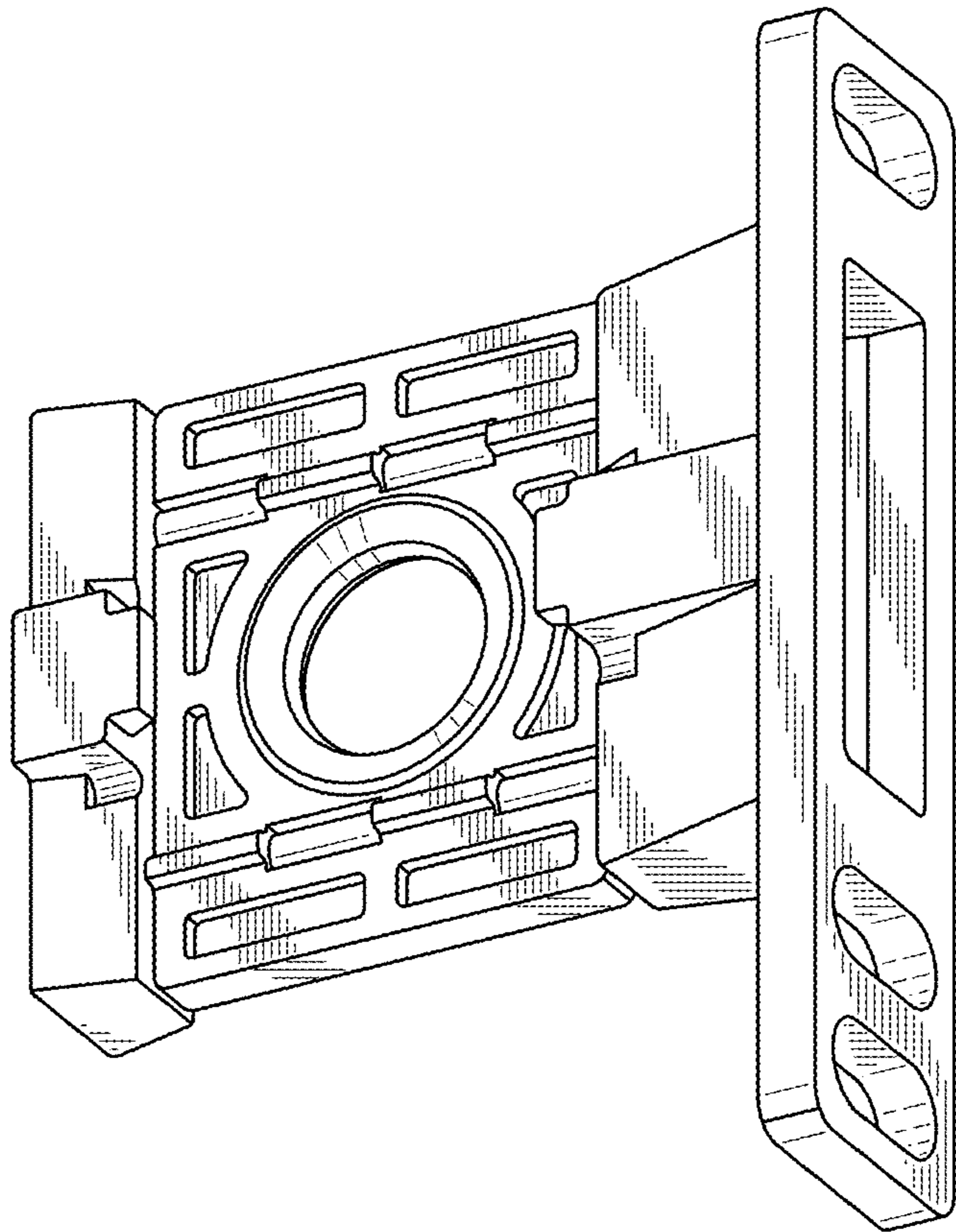


FIG. 3

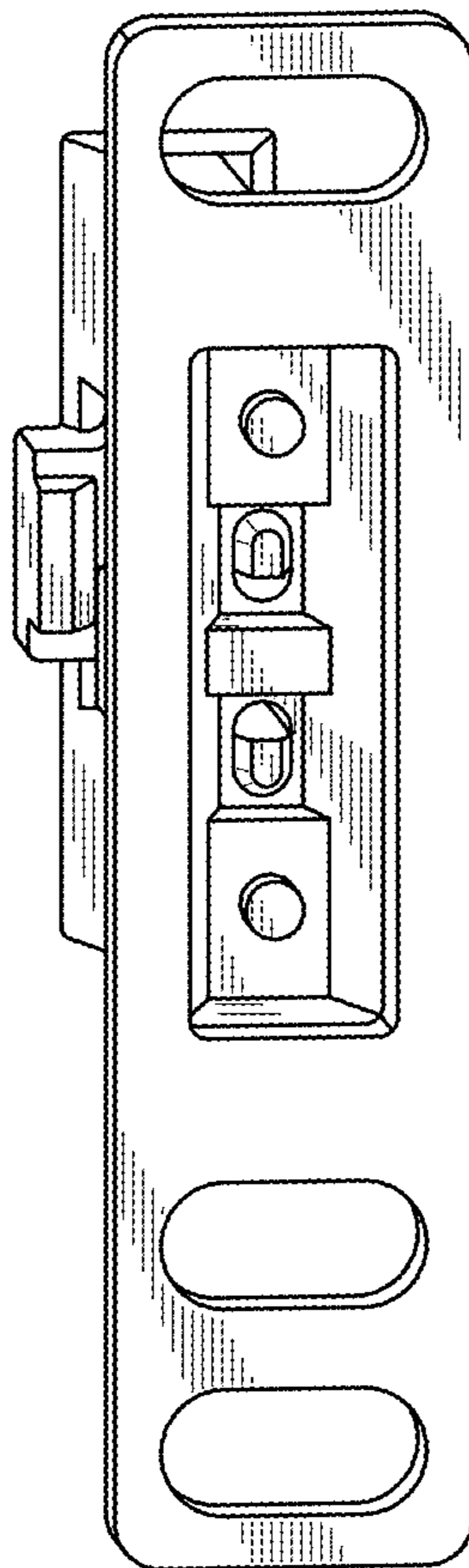


FIG. 4

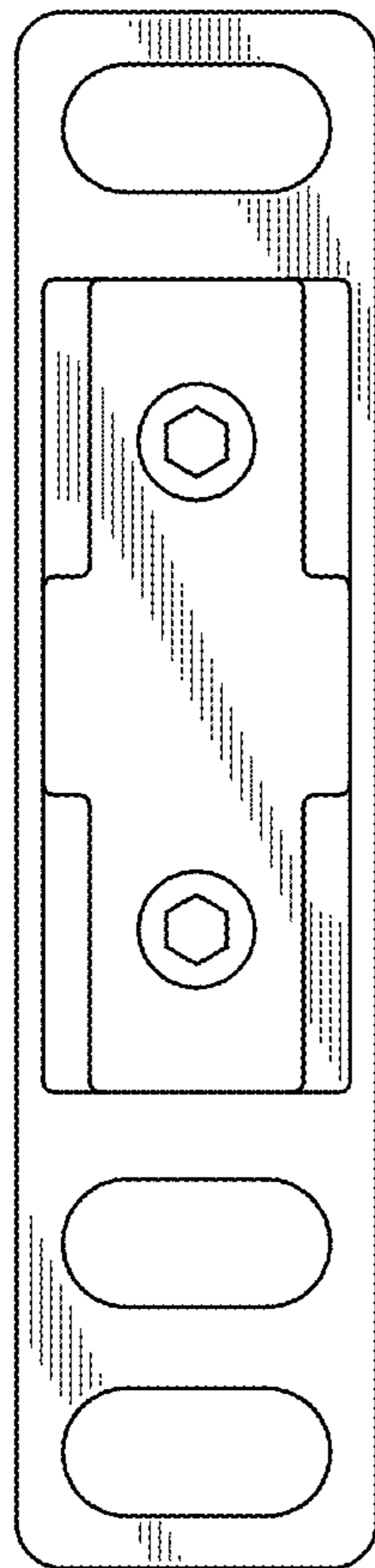


FIG. 5

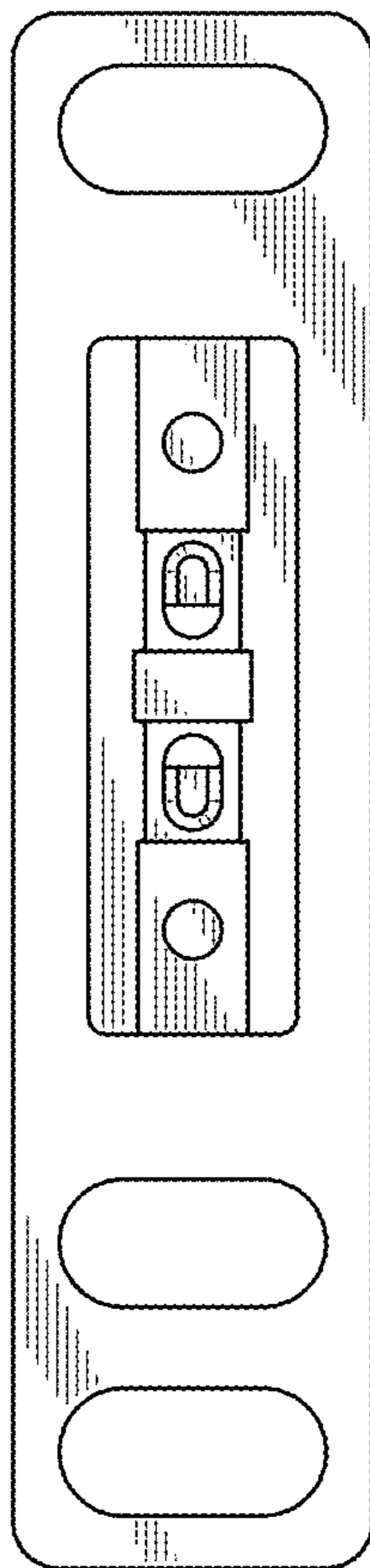


FIG. 6

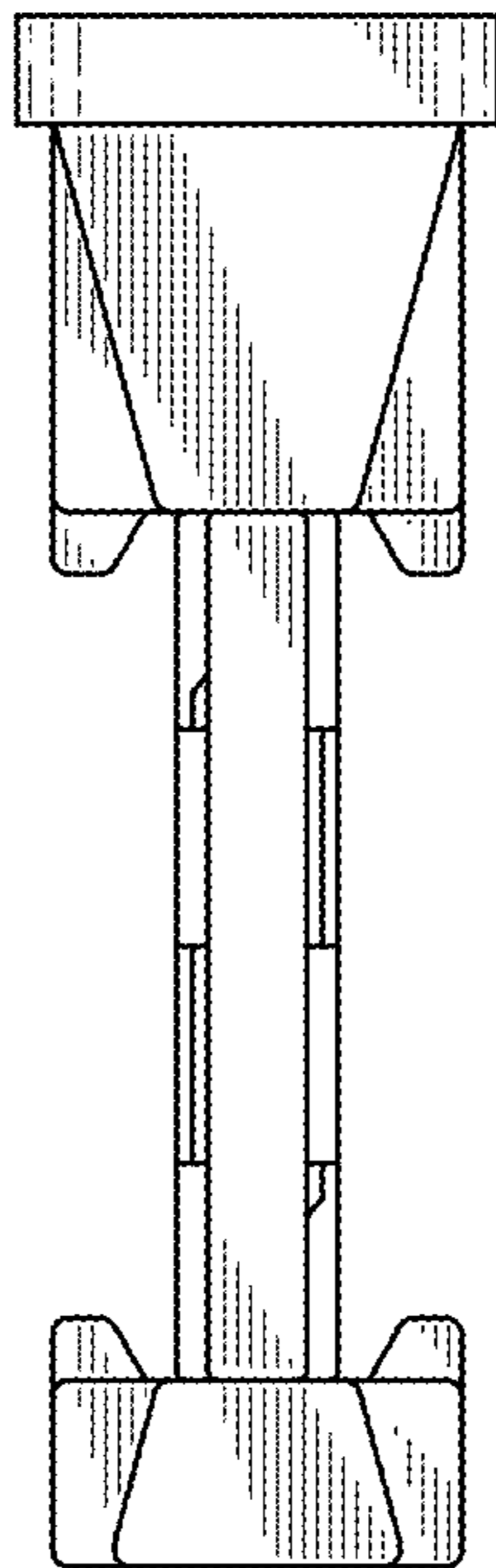


FIG. 7

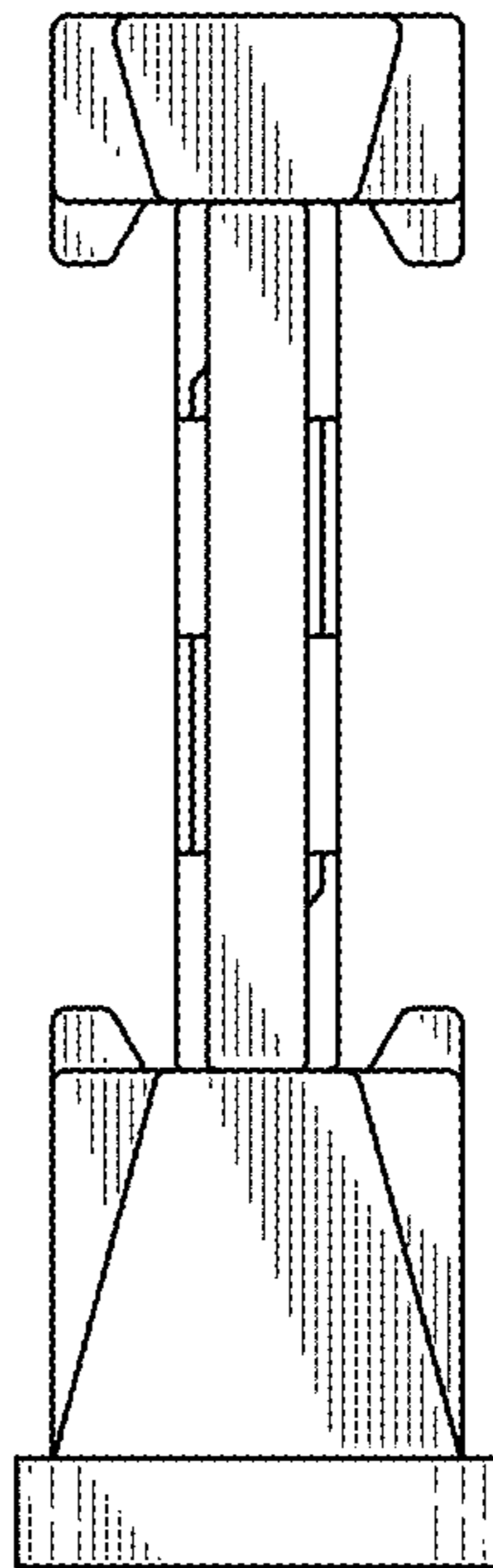


FIG. 8

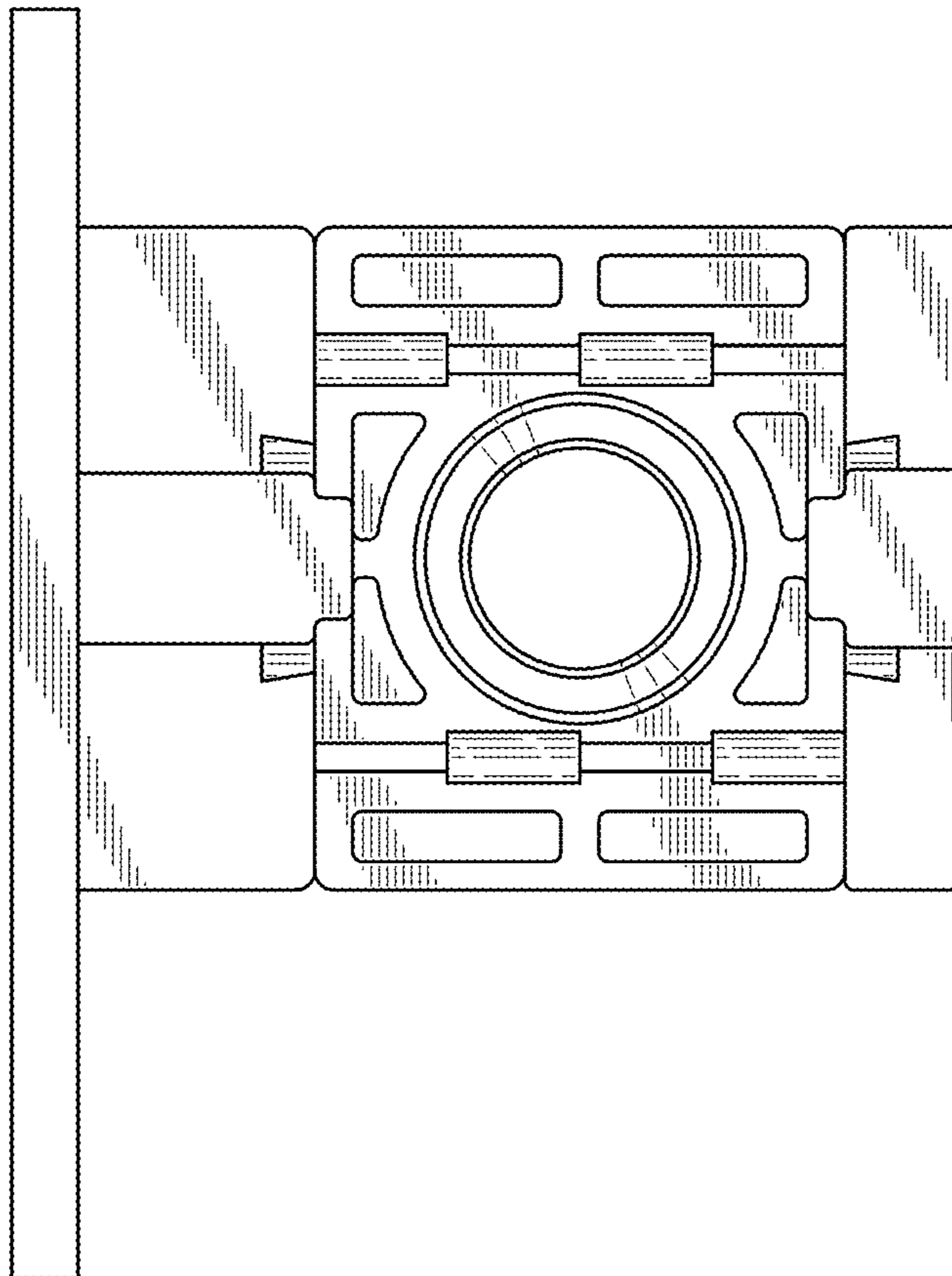


FIG. 9

