



US00D821179S

(12) **United States Design Patent**
Exley

(10) **Patent No.:** **US D821,179 S**
(45) **Date of Patent:** **** Jun. 26, 2018**

(54) **LIGHTED OUTLET COVER PLATE**

(74) *Attorney, Agent, or Firm* — John S. Artz; Dickinson Wright PLLC

(71) Applicant: **ONTEL PRODUCTS CORPORATION**, Fairfield, NJ (US)

(57) **CLAIM**

(72) Inventor: **Ross Exley**, Morristown, NJ (US)

I claim the ornamental design for a lighted outlet cover plate, as shown and described.

(73) Assignee: **Ontel Products Corporation**, Fairfield, NJ (US)

DESCRIPTION

(**) Term: **15 Years**

(21) Appl. No.: **29/592,682**

(22) Filed: **Feb. 1, 2017**

(51) **LOC (11) Cl.** **11-05**

(52) **U.S. Cl.**
USPC **D8/353**

(58) **Field of Classification Search**
USPC D13/103, 137.1–137.3, 138.1, 138.2,
D13/139.1, 139.3, 139.8, 125, 169, 170,
(Continued)

FIG. 1 is a front perspective view of a lighted outlet cover plate;
FIG. 2 is a rear perspective view of the lighted outlet cover plate of FIG. 1;
FIG. 3 is a front view of the lighted outlet cover plate of FIG. 1;
FIG. 4 is a rear view of the lighted outlet cover plate of FIG. 1;
FIG. 5 is a side view of the lighted outlet cover plate of FIG. 1;
FIG. 6 is a top view of the lighted outlet cover plate of FIG. 1;
FIG. 7 is a bottom view of the lighted outlet cover plate of FIG. 1;
FIG. 8 is a front perspective view of another embodiment of a lighted outlet cover plate;
FIG. 9 is a rear perspective view of the lighted outlet cover plate of FIG. 8;
FIG. 10 is a front view of the lighted outlet cover plate of FIG. 8;
FIG. 11 is a rear view of the lighted outlet cover plate of FIG. 8;
FIG. 12 is a side view of the lighted outlet cover plate of FIG. 8;
FIG. 13 is a top view of the lighted outlet cover plate of FIG. 8; and,
FIG. 14 is a bottom view of the lighted outlet cover plate of FIG. 8.

The broken lines present in the figures are included for the purpose of illustrating portions of the article which form no part of the claimed design.

(56) **References Cited**

U.S. PATENT DOCUMENTS

2,145,447 A * 1/1939 Klingon H01R 13/631
174/66

2,385,620 A 9/1945 Leckenstein
(Continued)

OTHER PUBLICATIONS

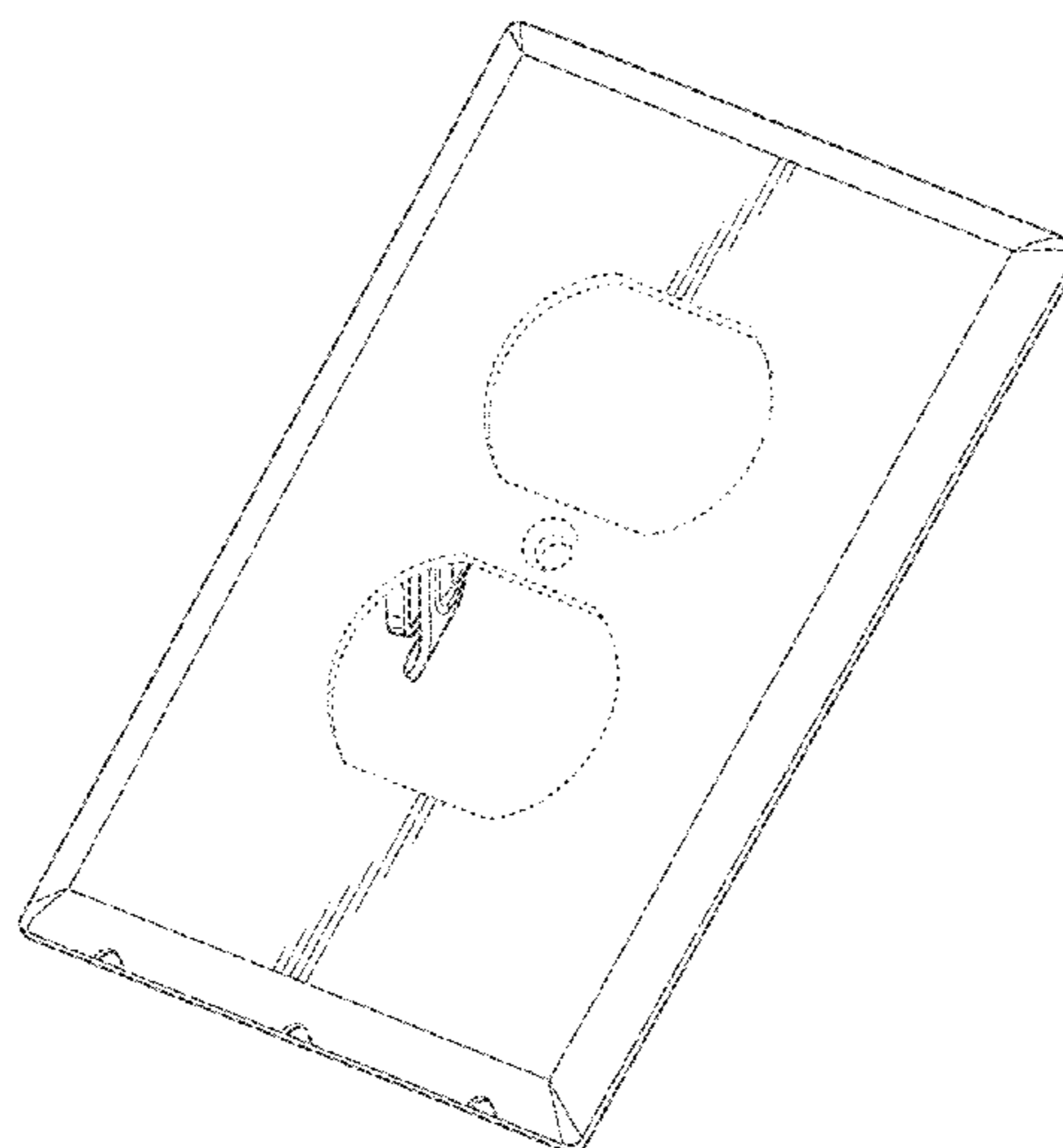
Night Angle Outlet Cover Plate, Night Angel, reviewed on Nov. 6, 2016 on freakinreviews.com, retrieved on Feb. 15, 2018, retrieved from the Internet URL: <http://freakinreviews.com/night-angel-reviews/>.*

(Continued)

Primary Examiner — Rosemary K Tarcza

Assistant Examiner — Alison M Ofstun

1 Claim, 10 Drawing Sheets



(58) **Field of Classification Search**
 USPC D13/177; D8/16, 19, 350, 353, 364, 366,
 D8/499, 380, 381
 CPC H02G 3/14; H01R 31/06; H01R 13/447;
 H01H 9/16; H01H 9/18
 See application file for complete search history.

6,883,927 B2 4/2005 Cunningham
 7,036,948 B1 5/2006 Wyatt
 7,161,313 B2 1/2007 Piegras
 7,355,349 B2 4/2008 Evans
 D576,866 S * 9/2008 Kidman D8/353
 7,506,990 B2 3/2009 Glazner
 7,547,131 B2 6/2009 Faunce
 7,850,322 B2 12/2010 Glazner
 7,918,667 B1 4/2011 Shim
 8,393,747 B2 3/2013 Kevelos
 8,668,347 B2 3/2014 Ebeling
 8,853,963 B2 10/2014 Liscinsky
 8,912,442 B2 * 12/2014 Smith H02G 3/14

(56) **References Cited**

U.S. PATENT DOCUMENTS

RE24,393 E 11/1957 McCarthy
 4,000,405 A 12/1976 Horwinski
 4,038,582 A 7/1977 Horwinski
 4,514,789 A 4/1985 Jester
 4,546,419 A 10/1985 Johnson
 4,591,732 A 5/1986 Neuenschwander
 4,617,613 A * 10/1986 Rice H01R 13/717
 362/95
 4,774,641 A * 9/1988 Rice F21S 8/035
 174/66
 5,481,442 A 1/1996 Dickie
 5,485,356 A * 1/1996 Nguyen H01R 13/717
 174/66
 5,544,025 A 8/1996 Bohlool
 5,660,459 A 8/1997 Appelberg
 5,683,166 A * 11/1997 Lutzker H05B 33/06
 250/466.1
 5,850,126 A 12/1998 Kanbar
 6,087,588 A * 7/2000 Soules H01H 9/185
 174/66
 6,423,900 B1 * 7/2002 Soules H01H 9/185
 174/66
 6,457,843 B1 10/2002 Kester
 6,648,496 B1 11/2003 Elghoroury
 6,808,283 B2 10/2004 Tsao

D721,336 S * 1/2015 Tonnesen D13/156
 9,035,180 B2 * 5/2015 Smith H02G 3/14
 174/66
 9,362,728 B2 6/2016 Smith
 9,464,795 B2 10/2016 Ebeling
 9,882,361 B2 * 1/2018 Smith H02G 3/081
 2006/0170380 A1 8/2006 Evans
 2009/0322159 A1 12/2009 Dubose et al.
 2013/0221868 A1 * 8/2013 Diotte F21V 33/006
 315/227 R
 2014/0246218 A1 * 9/2014 Shotey H02G 3/14
 174/66
 2015/0075836 A1 3/2015 Smith
 2015/0229079 A1 * 8/2015 Smith H05K 5/03
 323/318
 2017/0013736 A1 1/2017 Ebeling

OTHER PUBLICATIONS

SnapPower Guidelights—New—SnapPower—<https://www.snap-power.com/snapraysguidelight/> (retrieved May 1, 2017).

* cited by examiner

FIG. 1

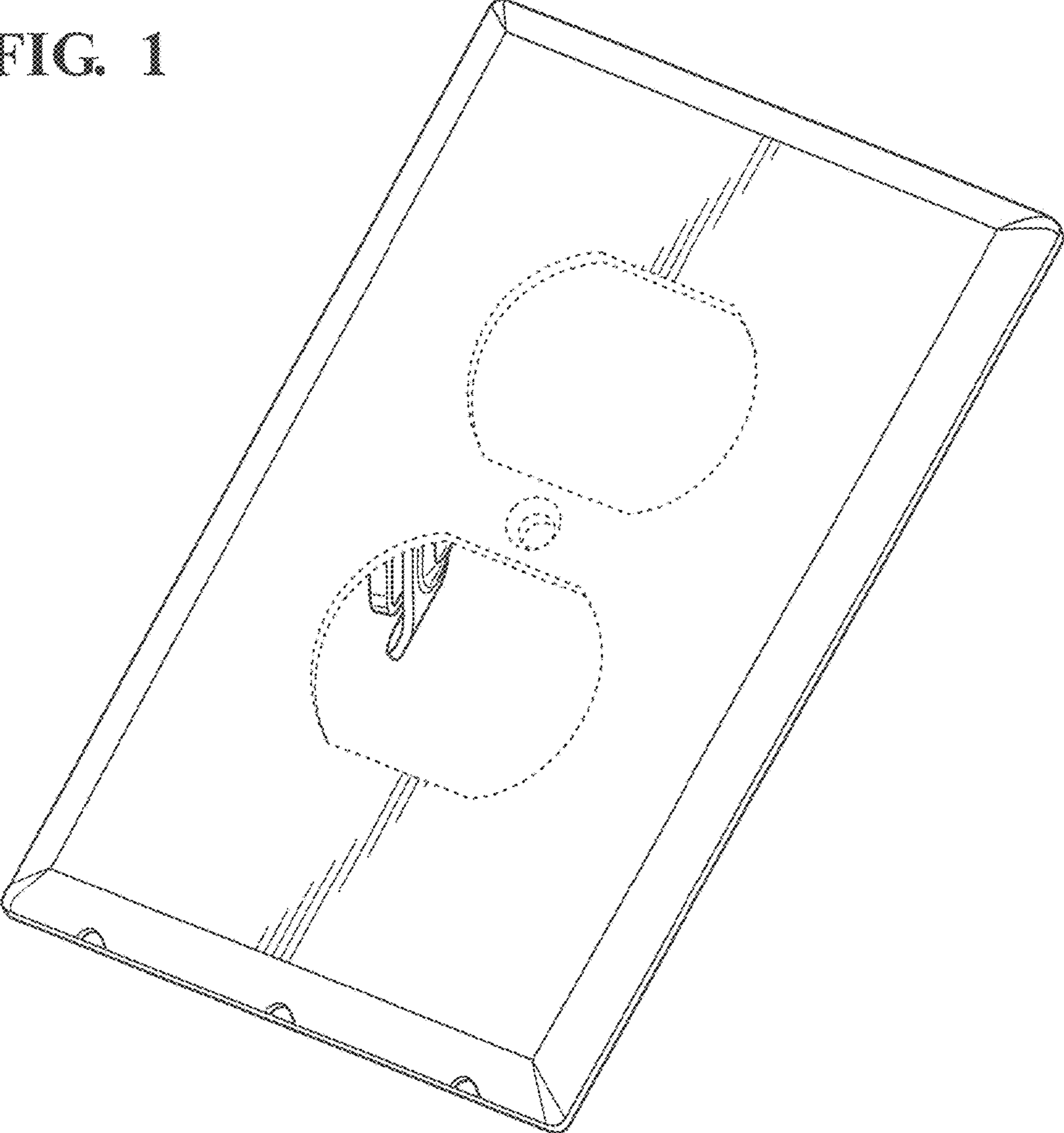
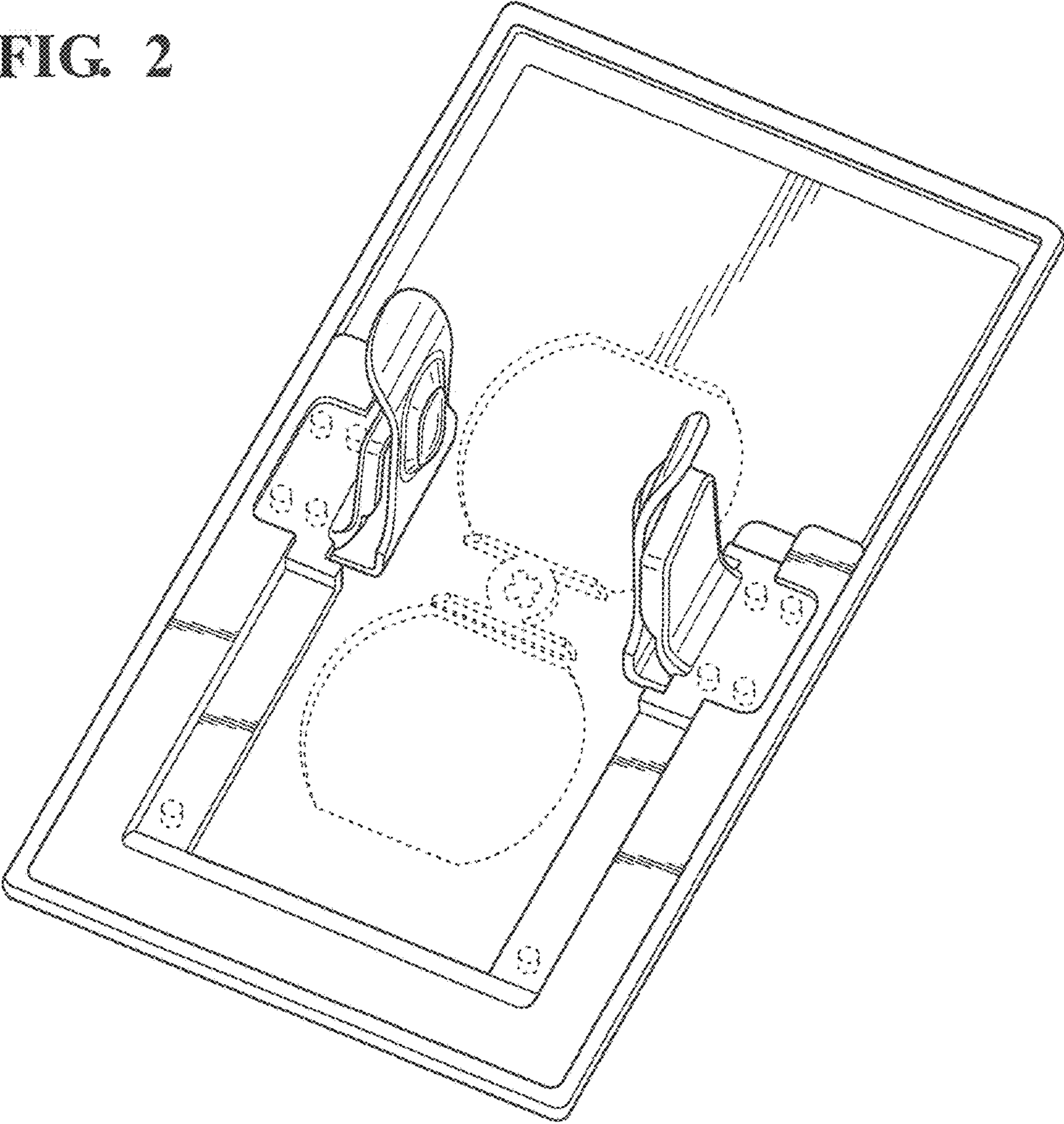


FIG. 2



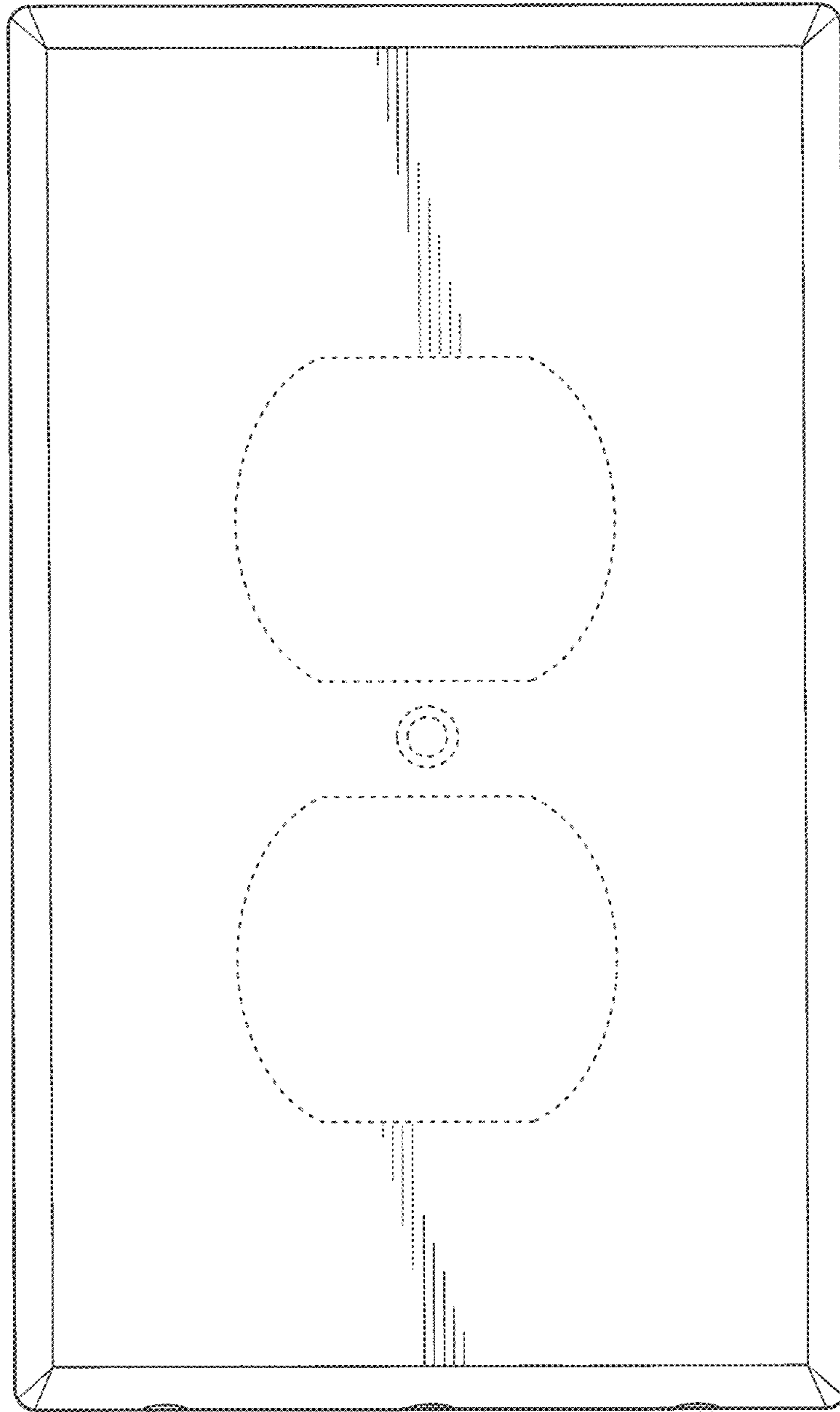


FIG. 3

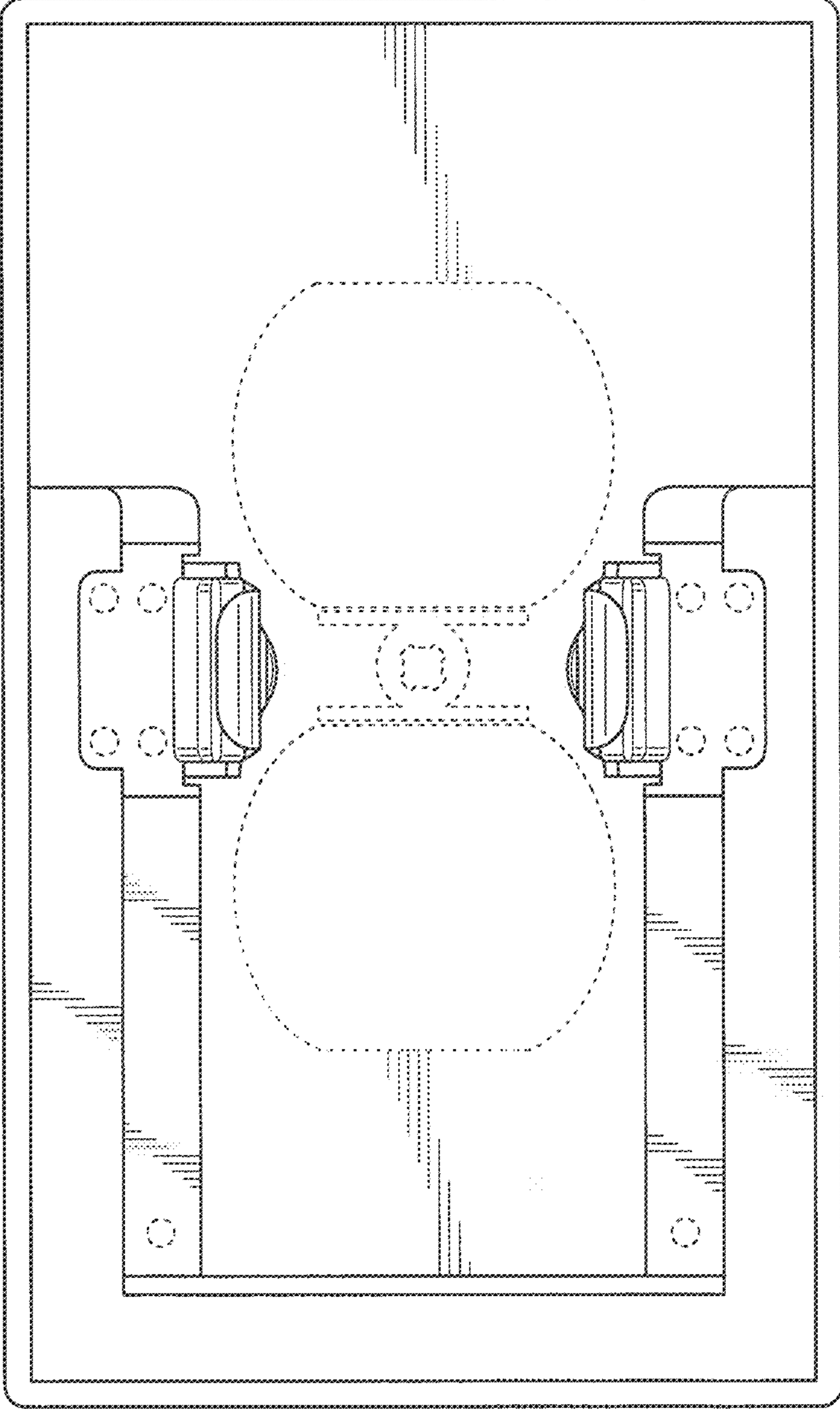


FIG. 4

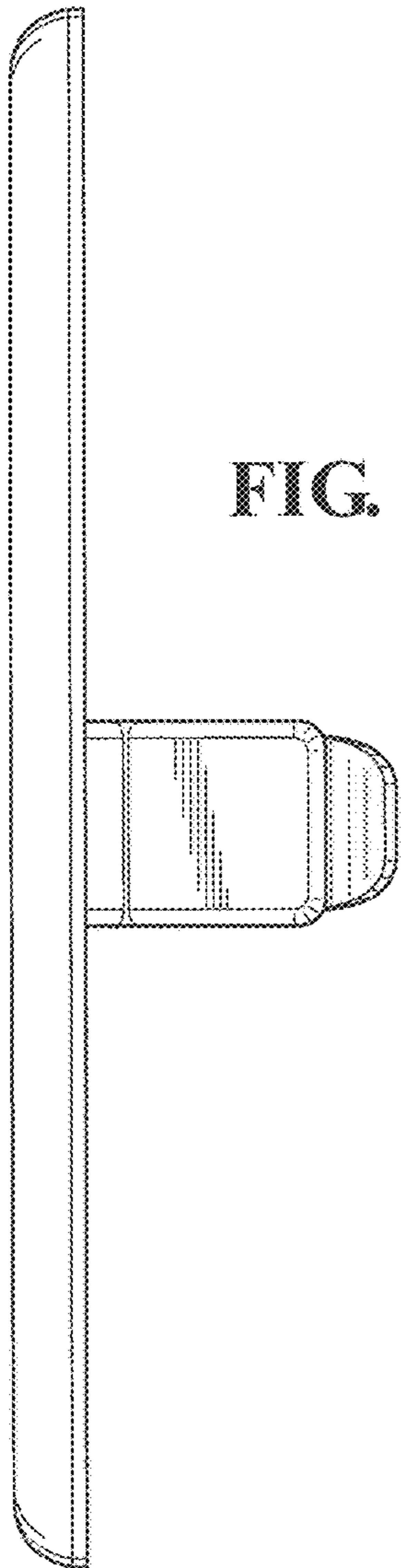


FIG. 5

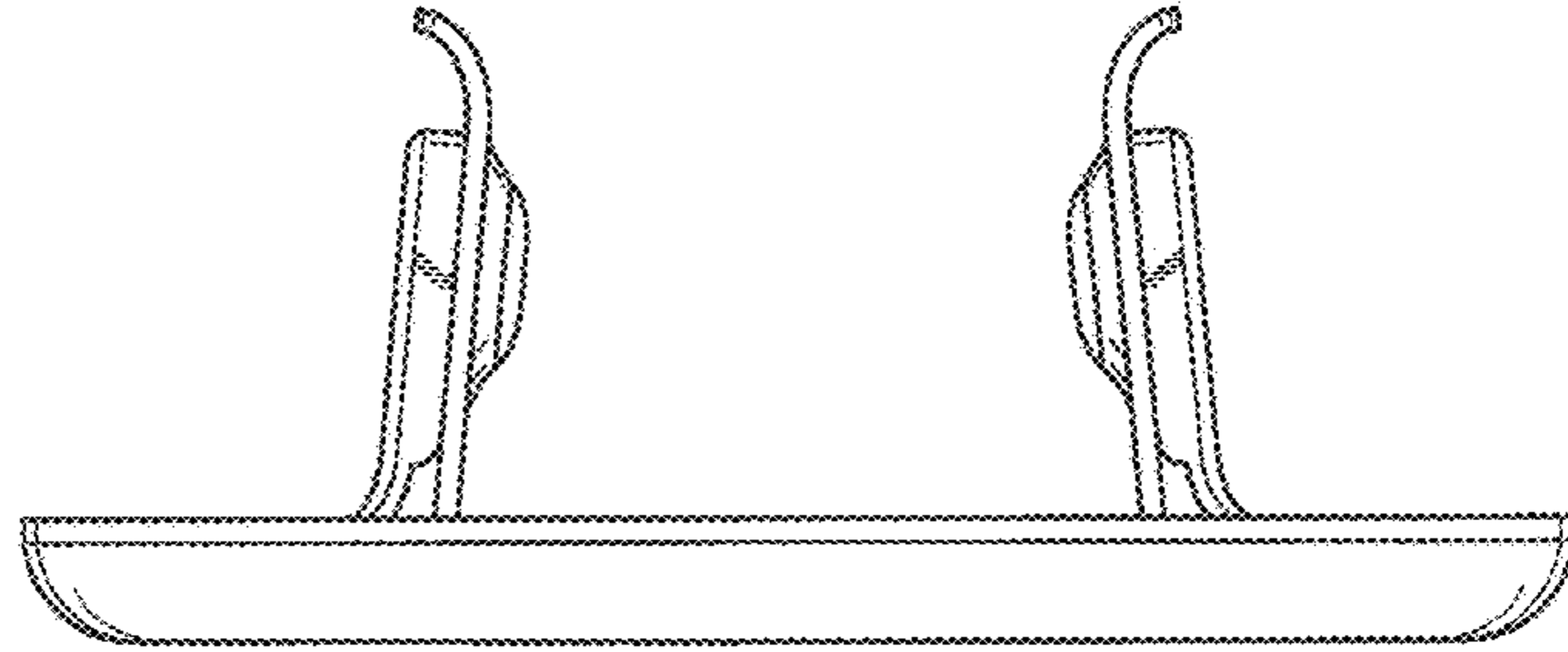


FIG. 6

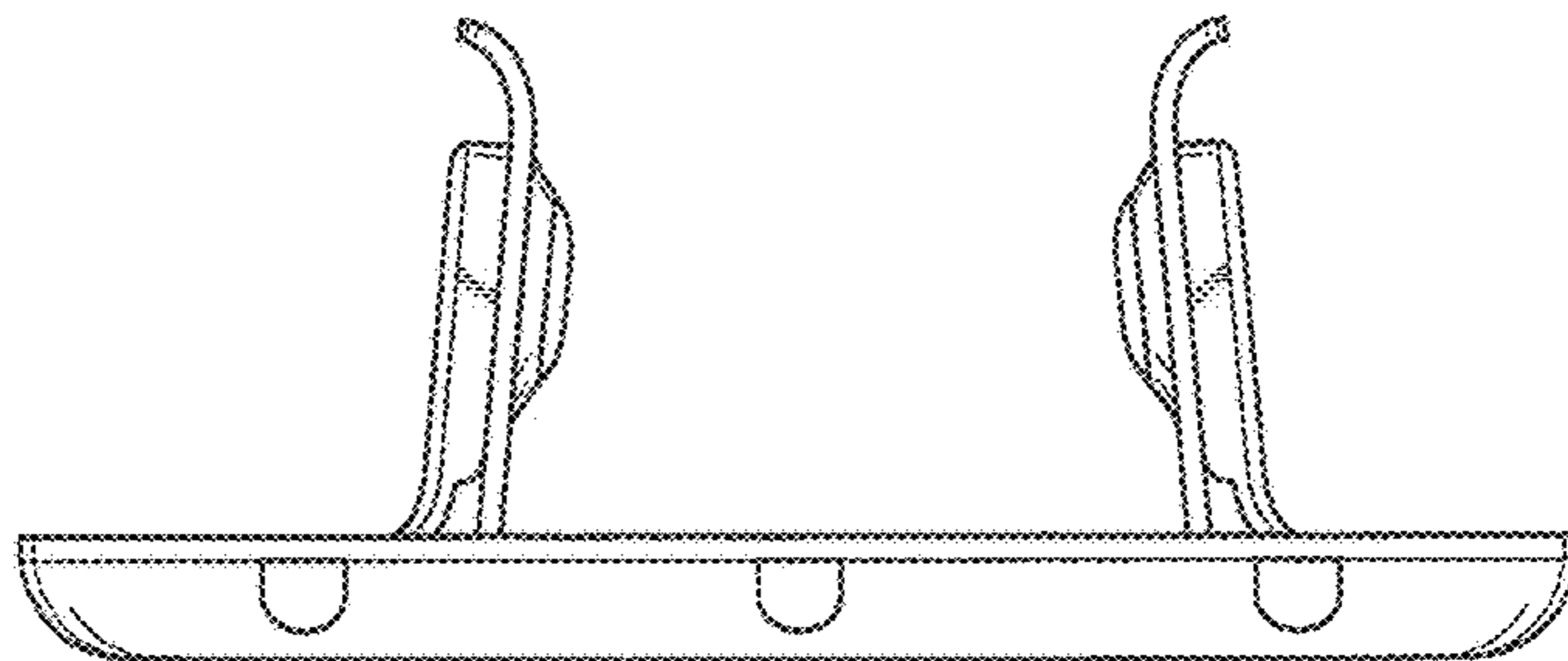


FIG. 7

FIG. 8

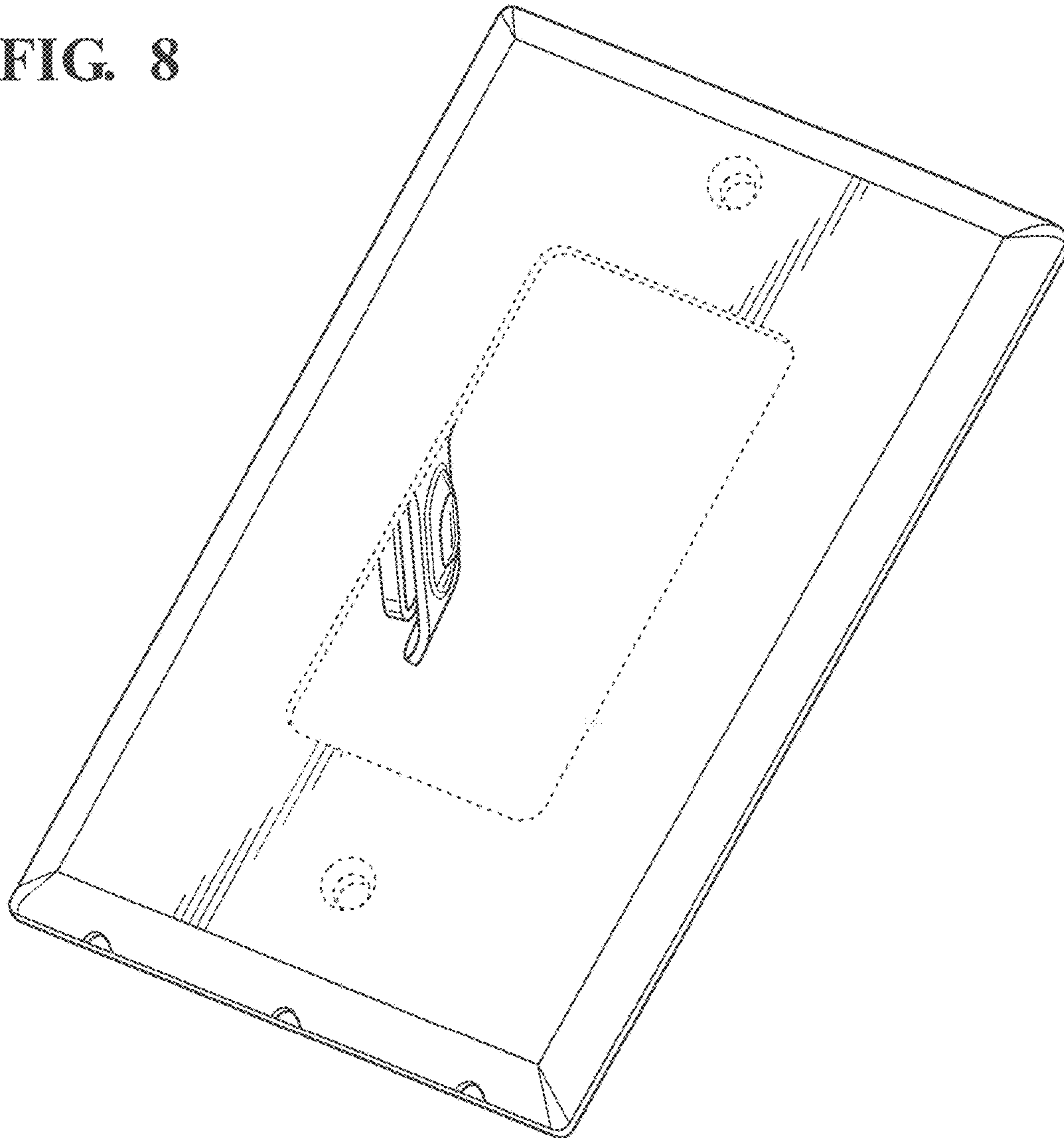
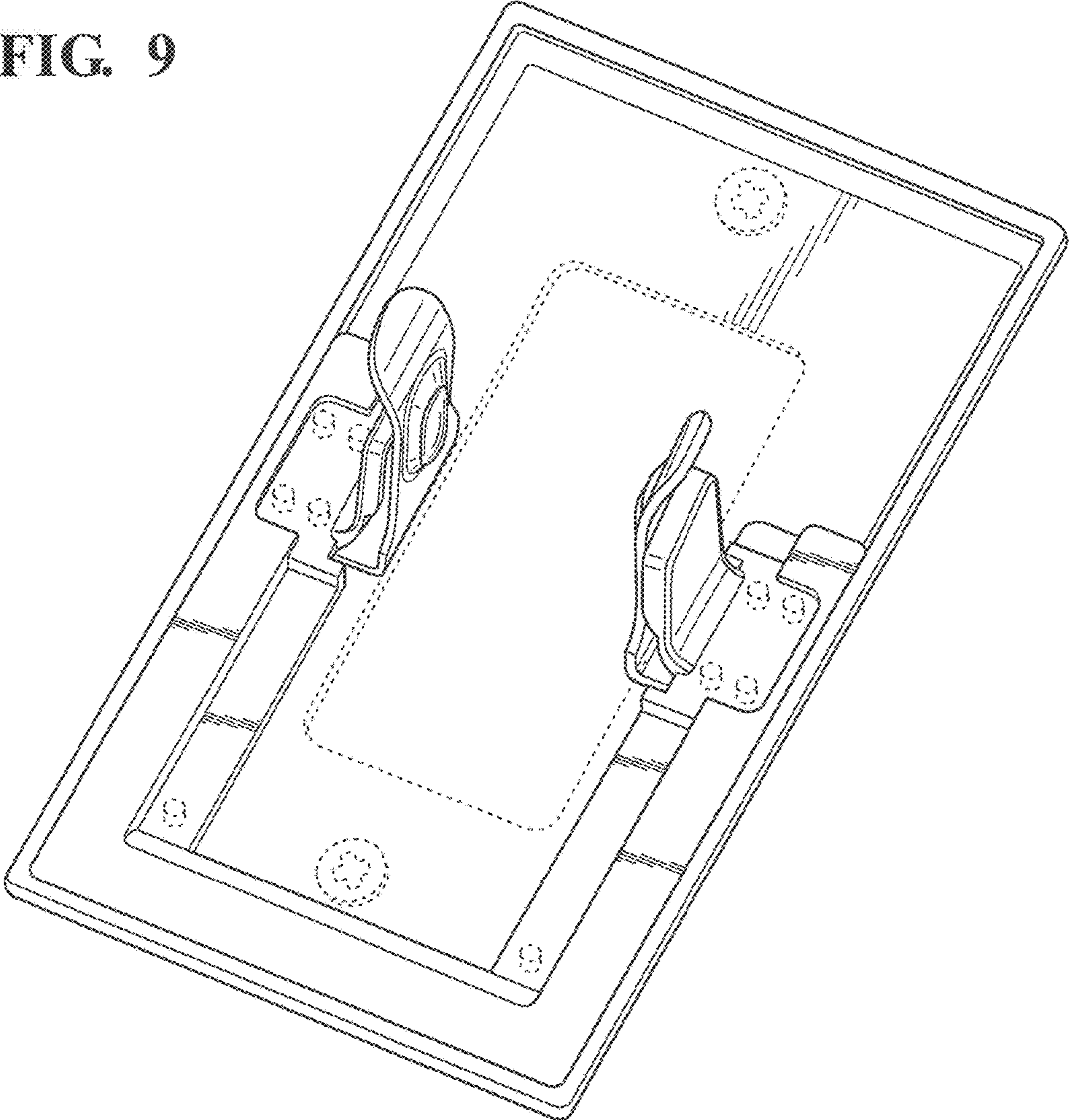


FIG. 9



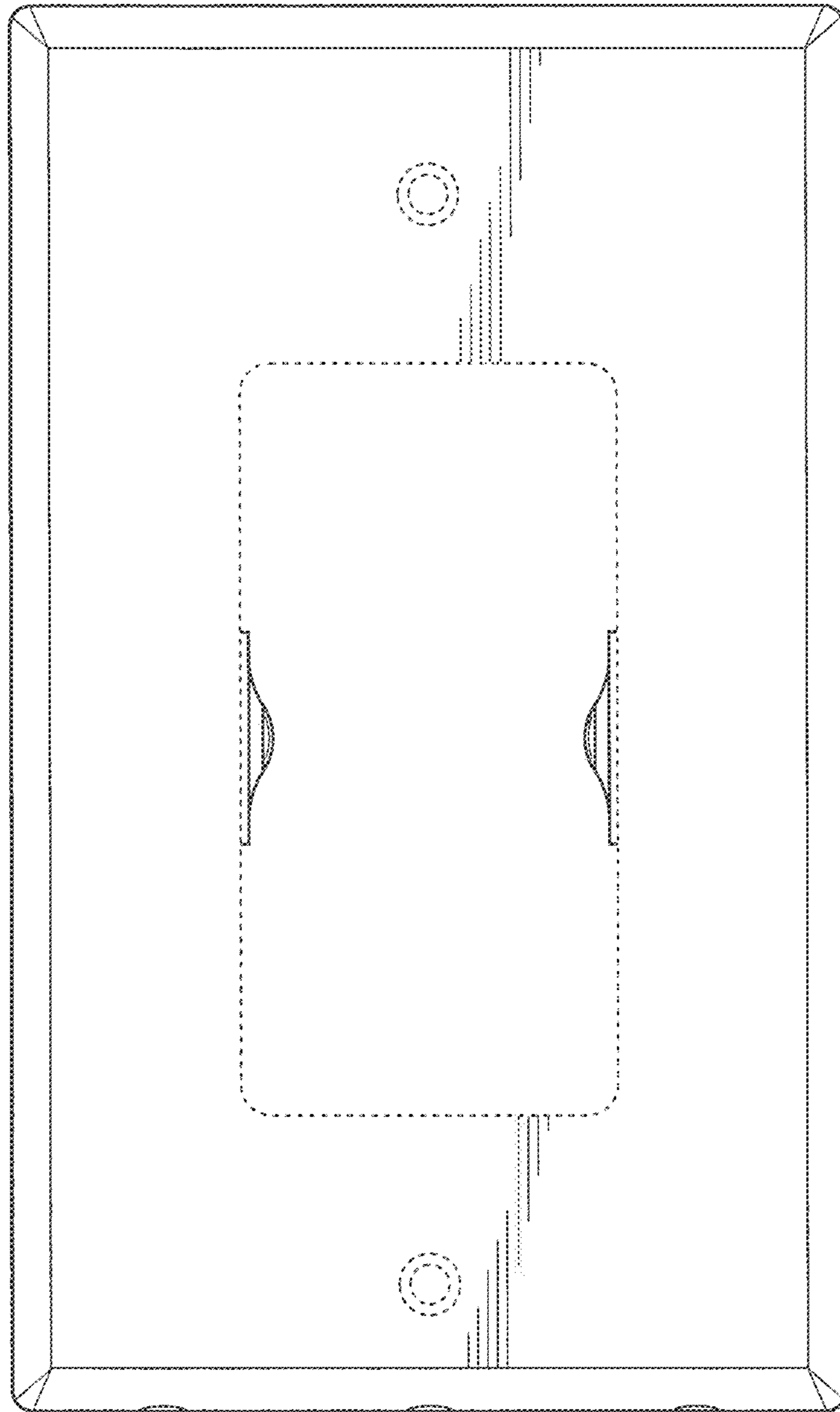


FIG. 10

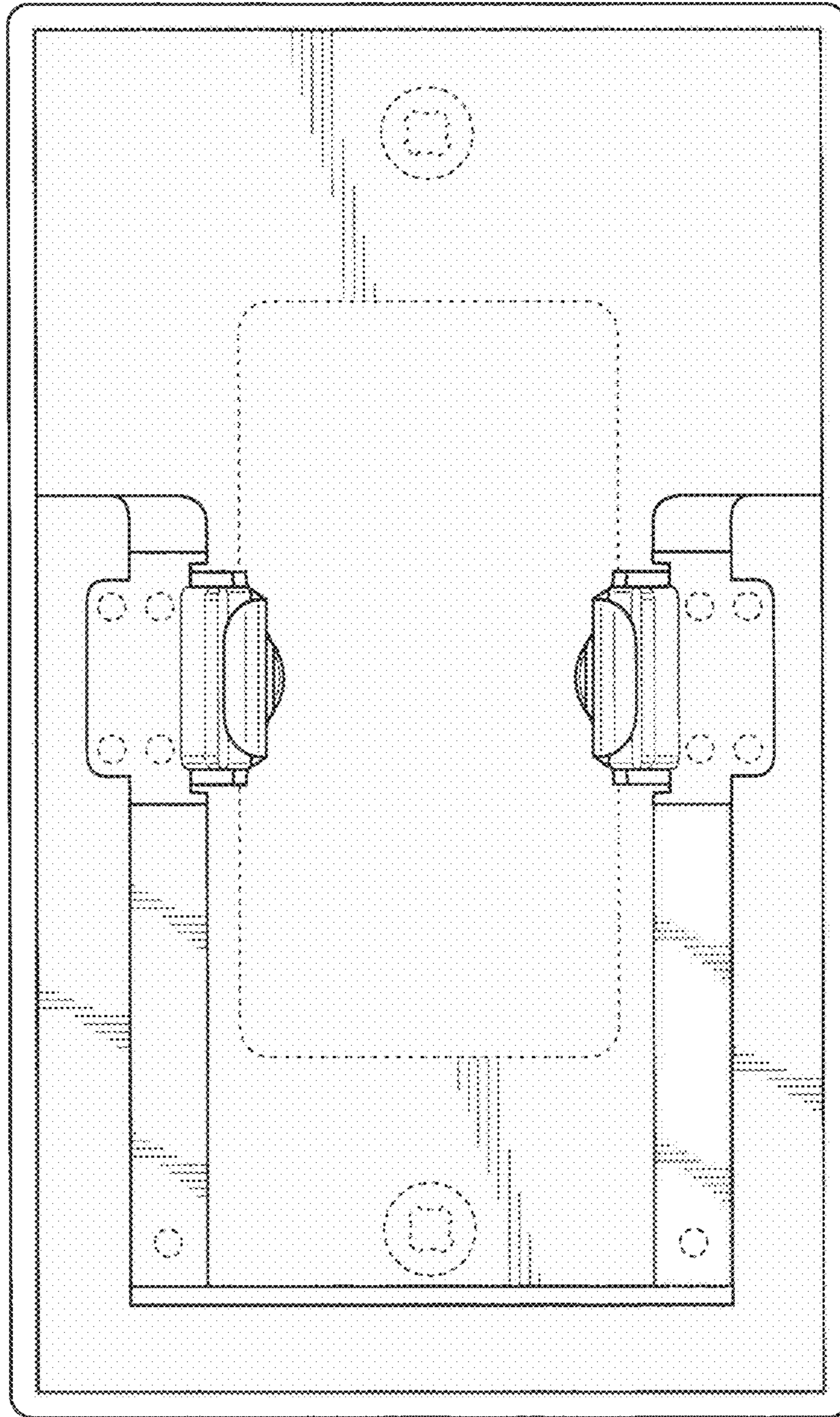


FIG. 11

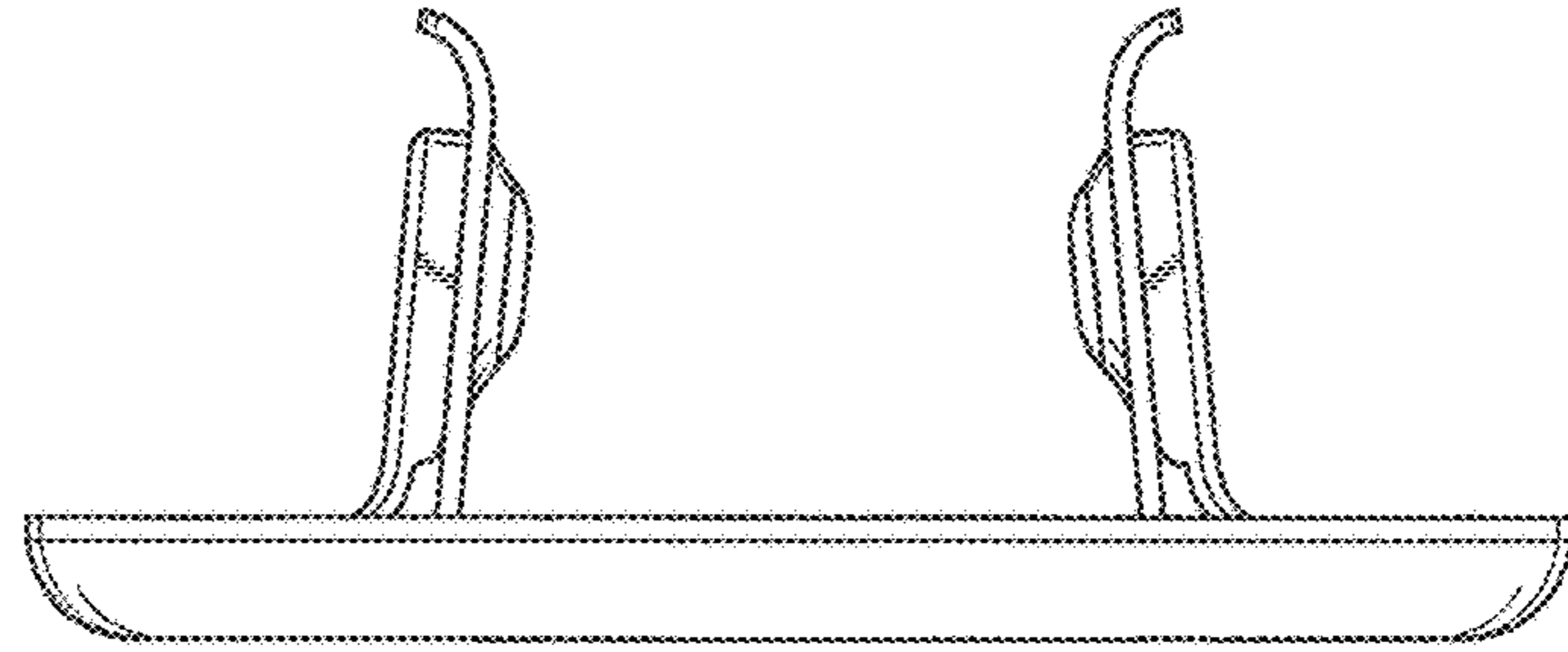


FIG. 13

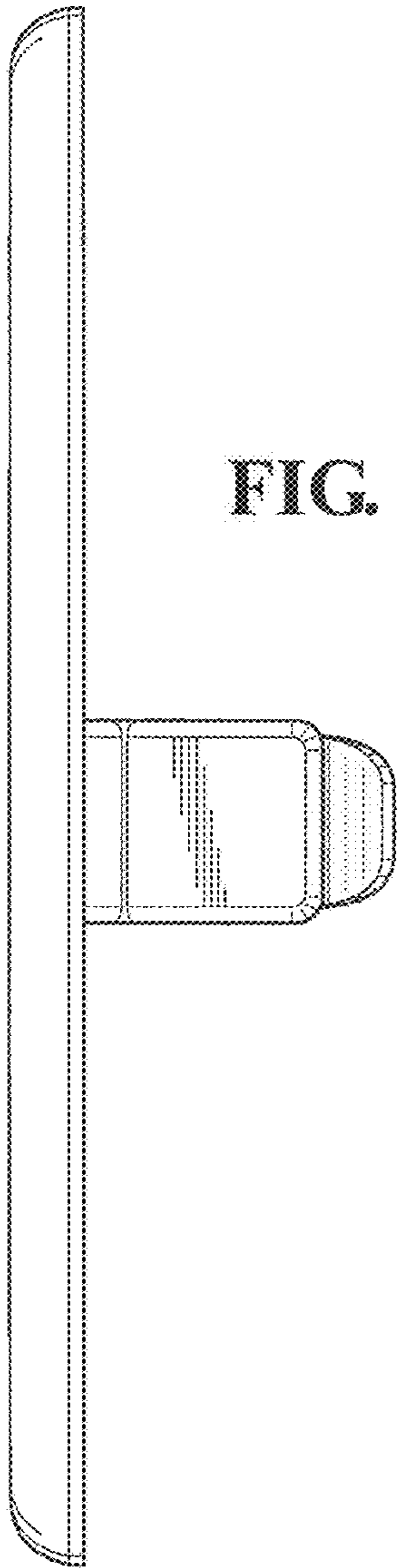


FIG. 12

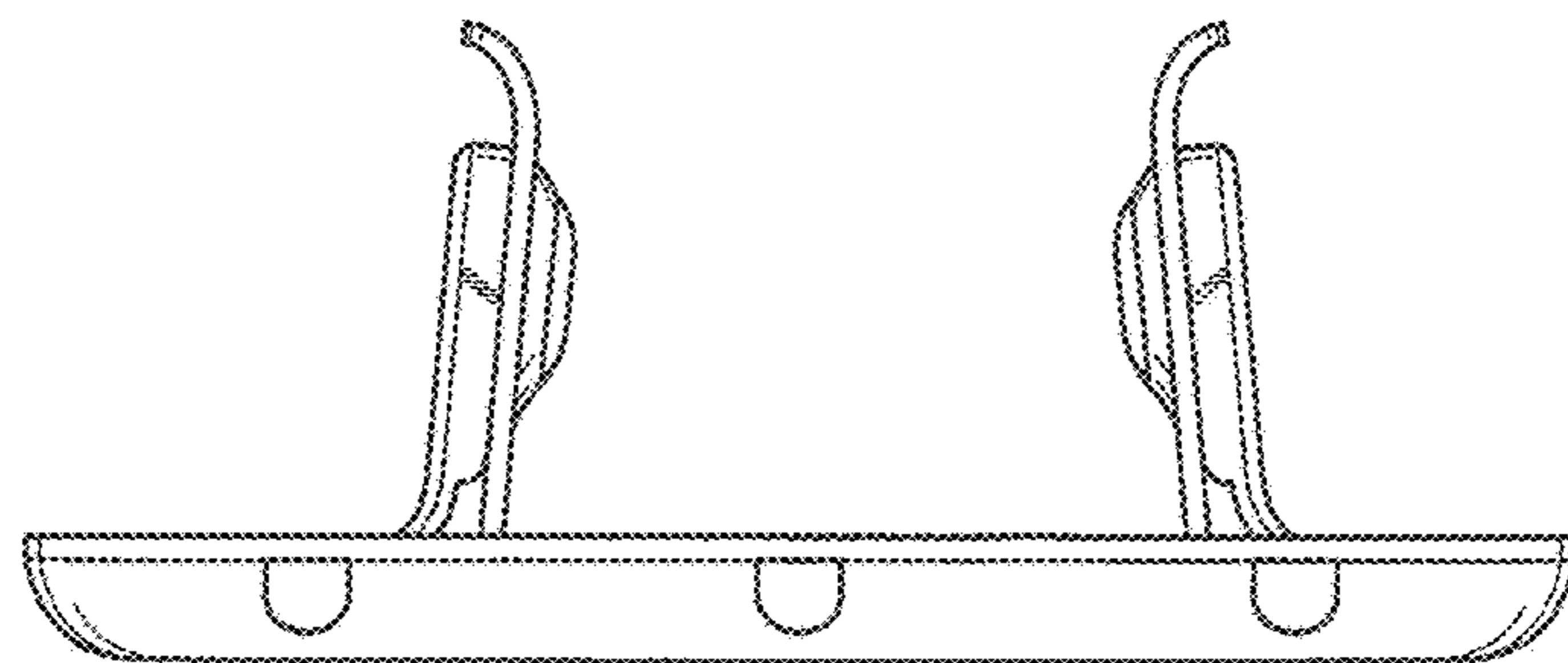


FIG. 14