



US00D821177S

(12) **United States Design Patent**  
**Keller et al.**

(10) **Patent No.:** **US D821,177 S**  
(45) **Date of Patent:** **\*\* Jun. 26, 2018**

- (54) **PORTABLE LOCK HOUSING**
- (71) Applicant: **GO LOCK TECHNOLOGY, INC.**,  
Spicewood, TX (US)
- (72) Inventors: **Kevin Keller**, Austin, TX (US); **Rocco Calandrucchio**, Austin, TX (US); **Steven R. Jones**, Spicewood, TX (US); **Edward J. Gross**, Austin, TX (US); **Douglas A. Yates**, Spicewood, TX (US)
- (73) Assignee: **GoLock Technology, Inc.**, Austin, TX (US)
- (\*\*) Term: **15 Years**
- (21) Appl. No.: **29/589,832**
- (22) Filed: **Jan. 4, 2017**
- (51) **LOC (11) Cl.** ..... **06-07**
- (52) **U.S. Cl.**  
USPC ..... **D8/331; D8/336**
- (58) **Field of Classification Search**  
USPC ..... D8/330, 331, 343, 346, 398, 394, 449;  
70/57, 57.1, 51-56, 416, 485, 486, 445,  
70/419, 431, 422, 158, DIG. 26, 20-30,  
70/93, 160; 220/280, 265, 277  
CPC ..... E05B 1/00; E05B 9/00; E05B 9/04; E05B  
9/08; E05B 67/02; E05B 17/0004  
See application file for complete search history.

6,684,668 B1 \* 2/2004 Hsueh Lee ..... E05B 67/02  
70/312  
D523,729 S \* 6/2006 Gorst ..... D8/333  
7,675,413 B2 3/2010 Watts et al.  
(Continued)

**FOREIGN PATENT DOCUMENTS**

WO WO 2014/012564 A1 1/2014

**OTHER PUBLICATIONS**

USPTO as International Searching Authority (ISA); International Search Report and Written Opinion of the ISA; pp. 1-12; dated Jun. 6, 2017 (Jun. 6, 2017) (USPTO Alexandria, Virginia US).

*Primary Examiner* — Prabhakar G Deshmukh  
(74) *Attorney, Agent, or Firm* — Culhane Meadows PLLC

(57) **CLAIM**

The ornamental design for a portable lock housing, as shown and described.

**DESCRIPTION**

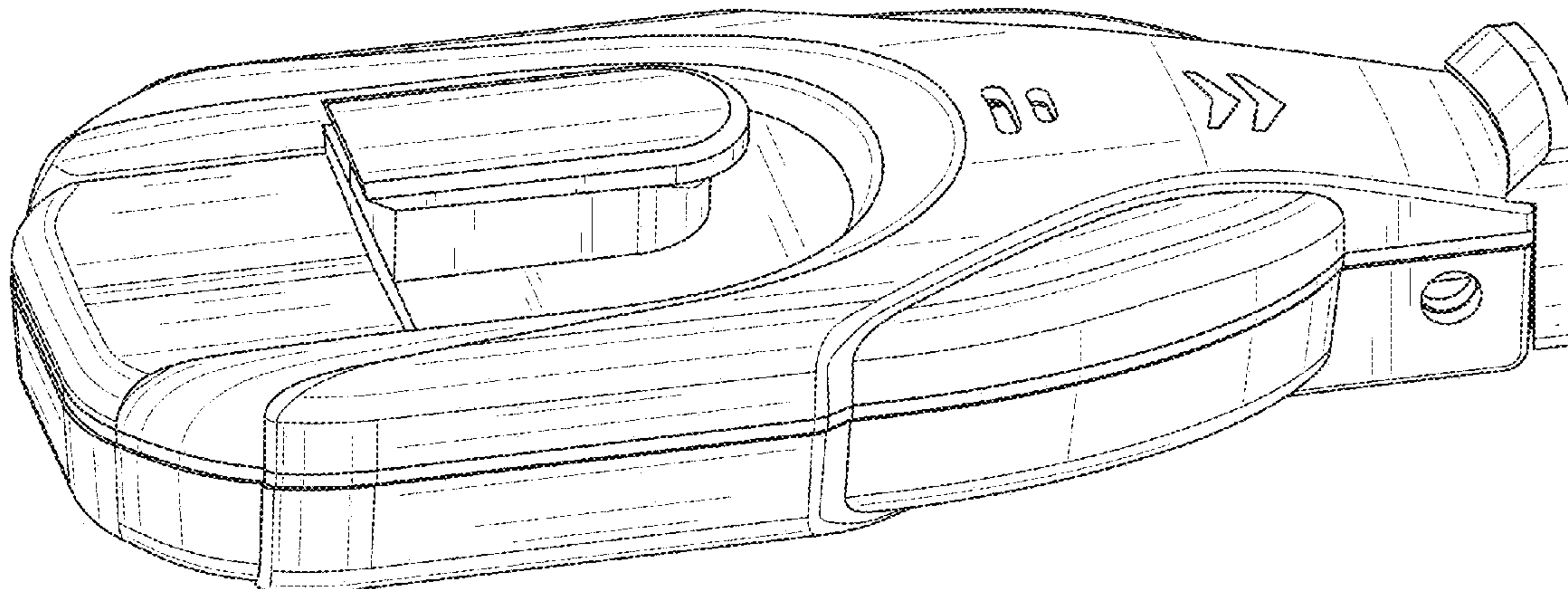
FIG. 1 is a top, right, rear perspective view of a portable lock housing showing our new design;  
 FIG. 2 is a top, right, rear perspective view thereof, shown in environmental use;  
 FIG. 3 is a top, right, front perspective view thereof, shown in another environmental use;  
 FIG. 4 is a top plan view thereof;  
 FIG. 5 is a bottom plan view thereof;  
 FIG. 6 is a front elevational view thereof;  
 FIG. 7 is a rear elevational view thereof;  
 FIG. 8 is a right side elevational view thereof; and,  
 FIG. 9 is a left side elevational view thereof.  
 The broken lines in FIGS. 2 and 3 illustrate environment and form no part of the claimed design. Other broken lines indicate unclaimed portions and form no part of the claimed design.

**1 Claim, 9 Drawing Sheets**

(56) **References Cited**

**U.S. PATENT DOCUMENTS**

- 3,754,419 A \* 8/1973 Taylor ..... E05B 67/38  
70/203
- 4,576,022 A \* 3/1986 Gamble ..... E05B 67/38  
70/417
- D391,469 S \* 3/1998 Foushee ..... D8/346
- 6,439,008 B1 \* 8/2002 Keil ..... B60D 1/60  
70/54
- 6,578,393 B2 \* 6/2003 Yarborough ..... E05B 67/38  
70/52



(56)

**References Cited**

U.S. PATENT DOCUMENTS

7,926,215	B2 *	4/2011	Riker .....	E05B 19/0005 40/654.01
7,961,088	B2	6/2011	Watts et al.	
D640,911	S *	7/2011	Yang .....	D8/346
8,850,858	B2	10/2014	Nave	
D719,012	S *	12/2014	Alexander .....	D8/346
D731,873	S *	6/2015	Harder .....	F16L 35/00 D8/346
9,115,511	B1	8/2015	Schmidt et al.	
2004/0119583	A1	6/2004	Linden et al.	
2006/0283216	A1	12/2006	Marcelle et al.	
2009/0160427	A1	6/2009	Drake et al.	
2015/0091696	A1	4/2015	Fisher	

\* cited by examiner

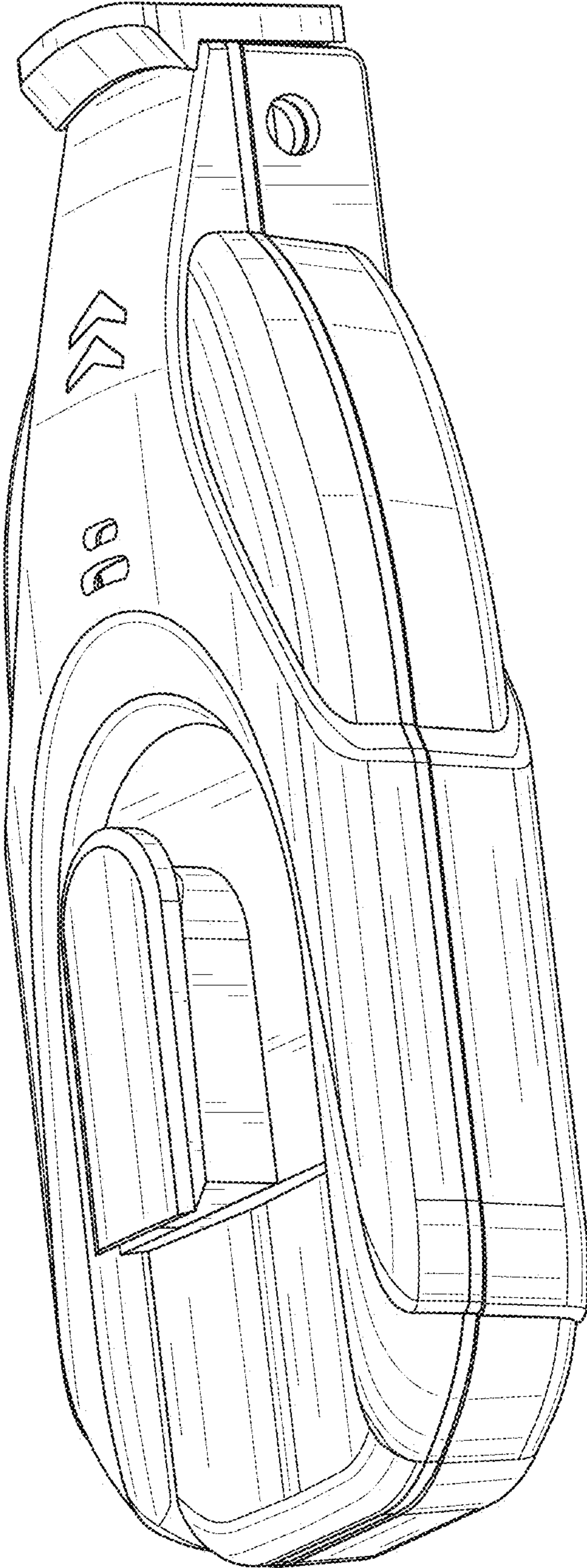


FIG. 1



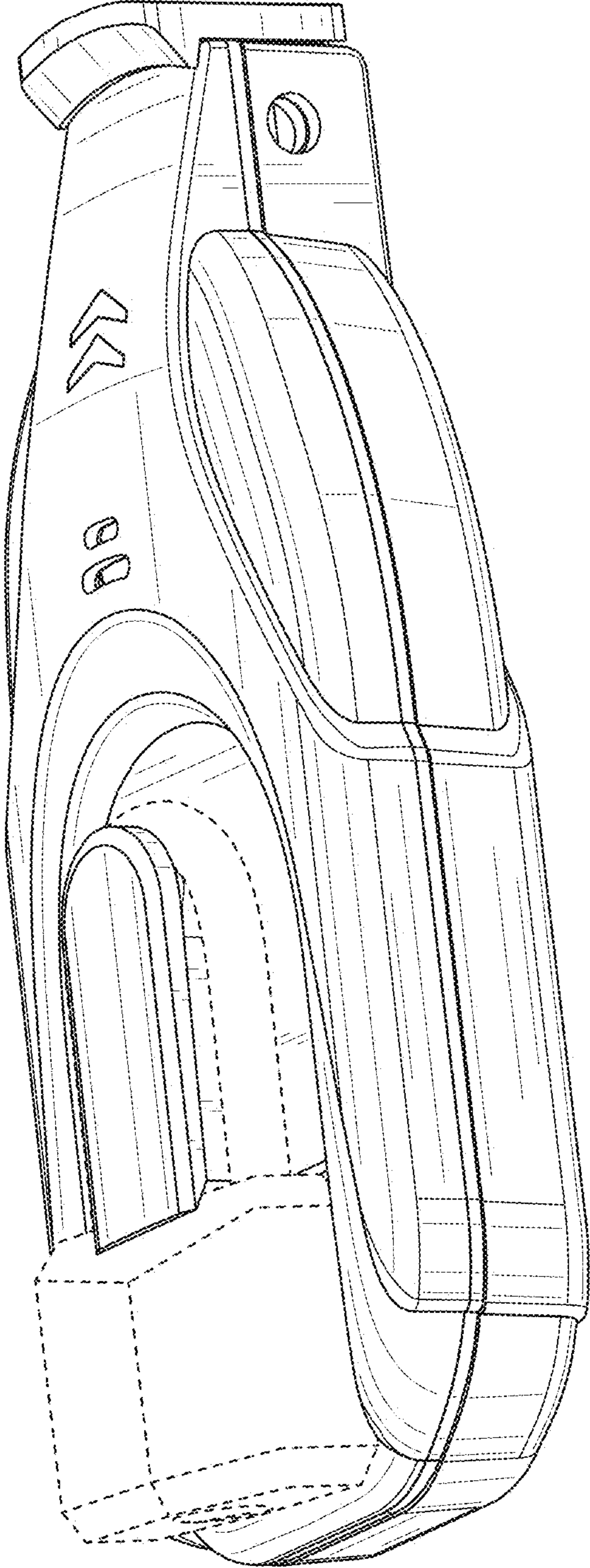


FIG. 2

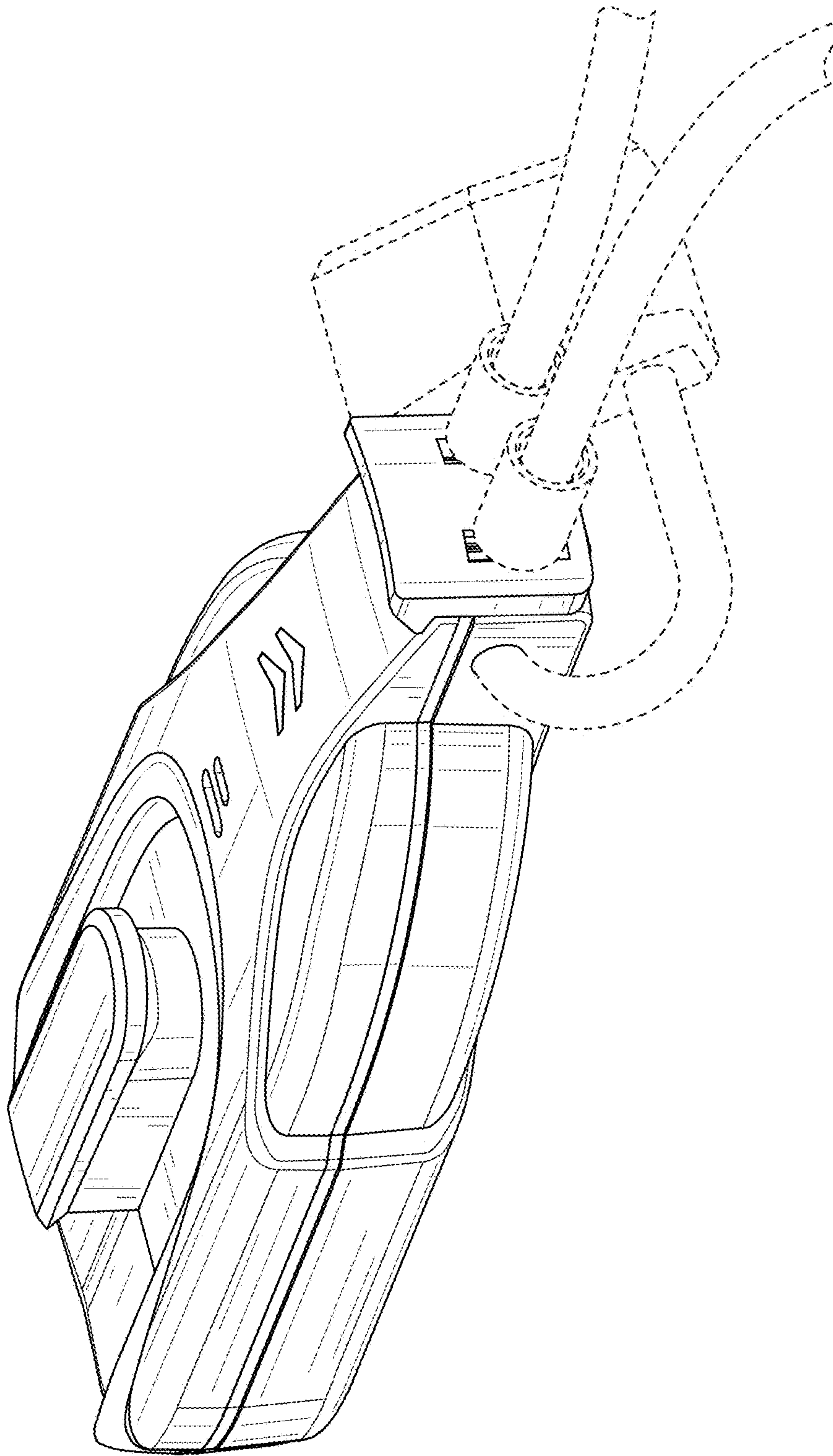


FIG. 3

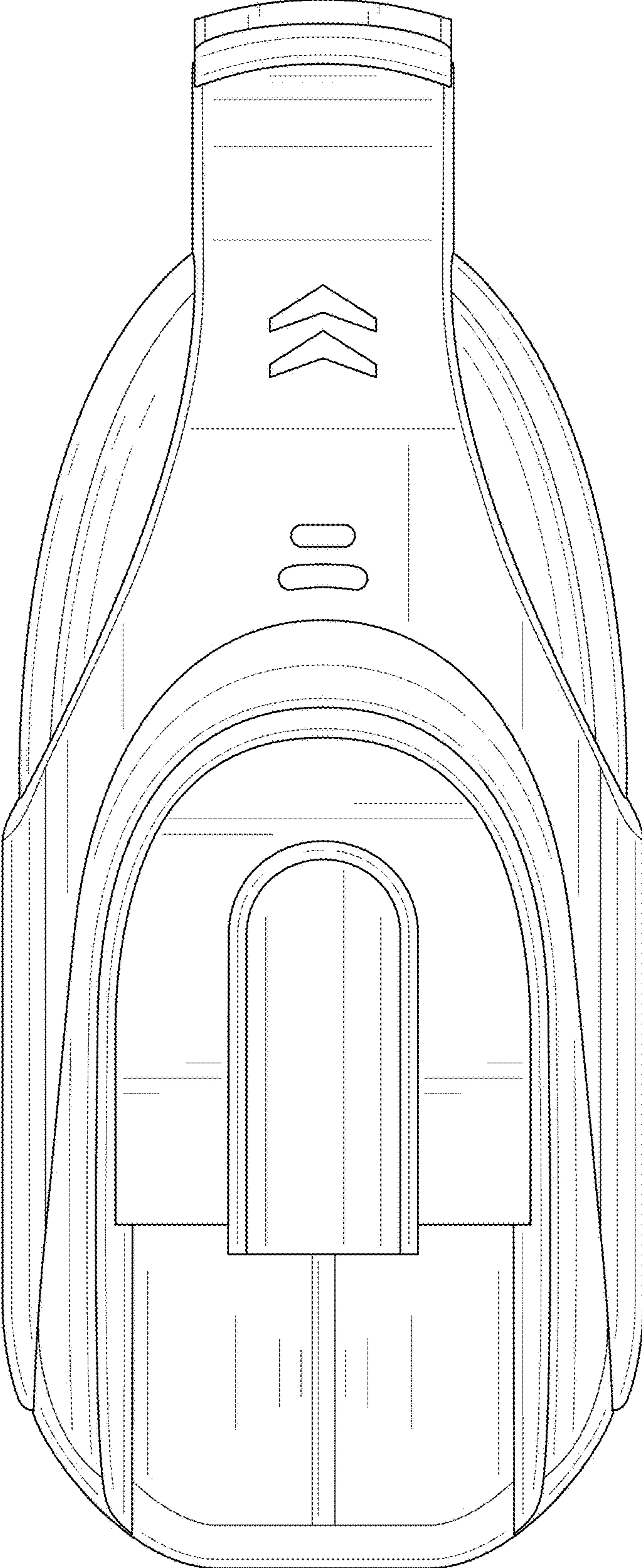


FIG. 4

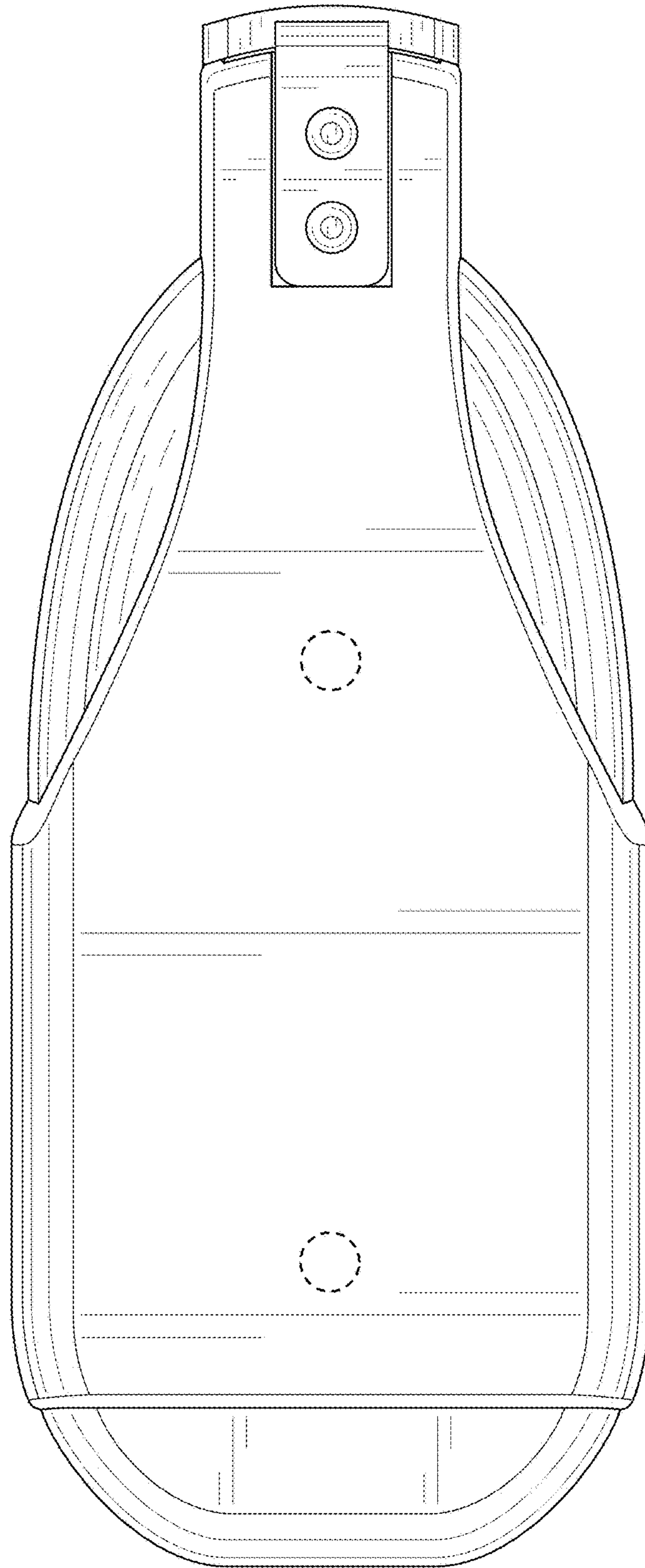


FIG. 5



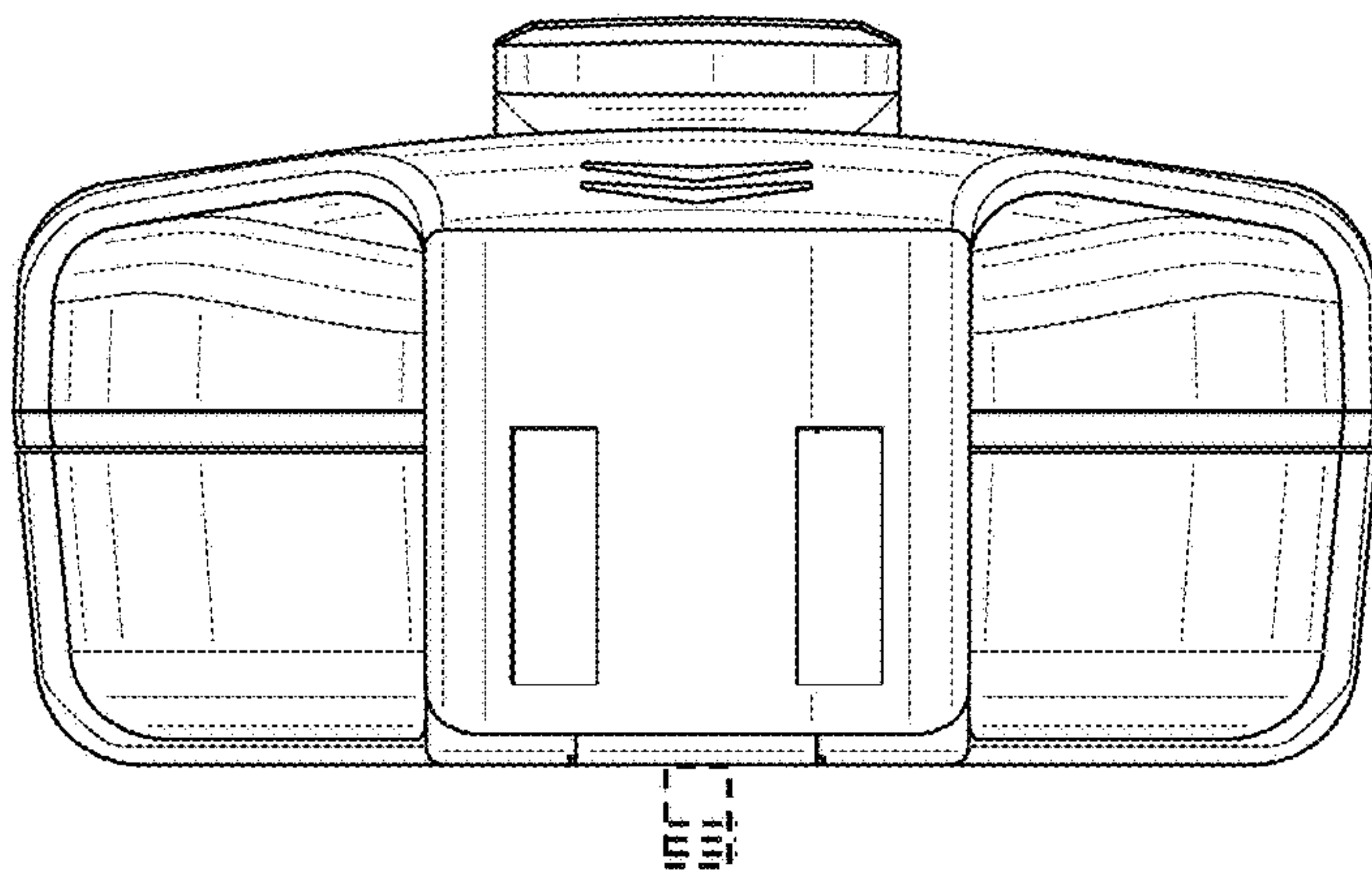


FIG. 6



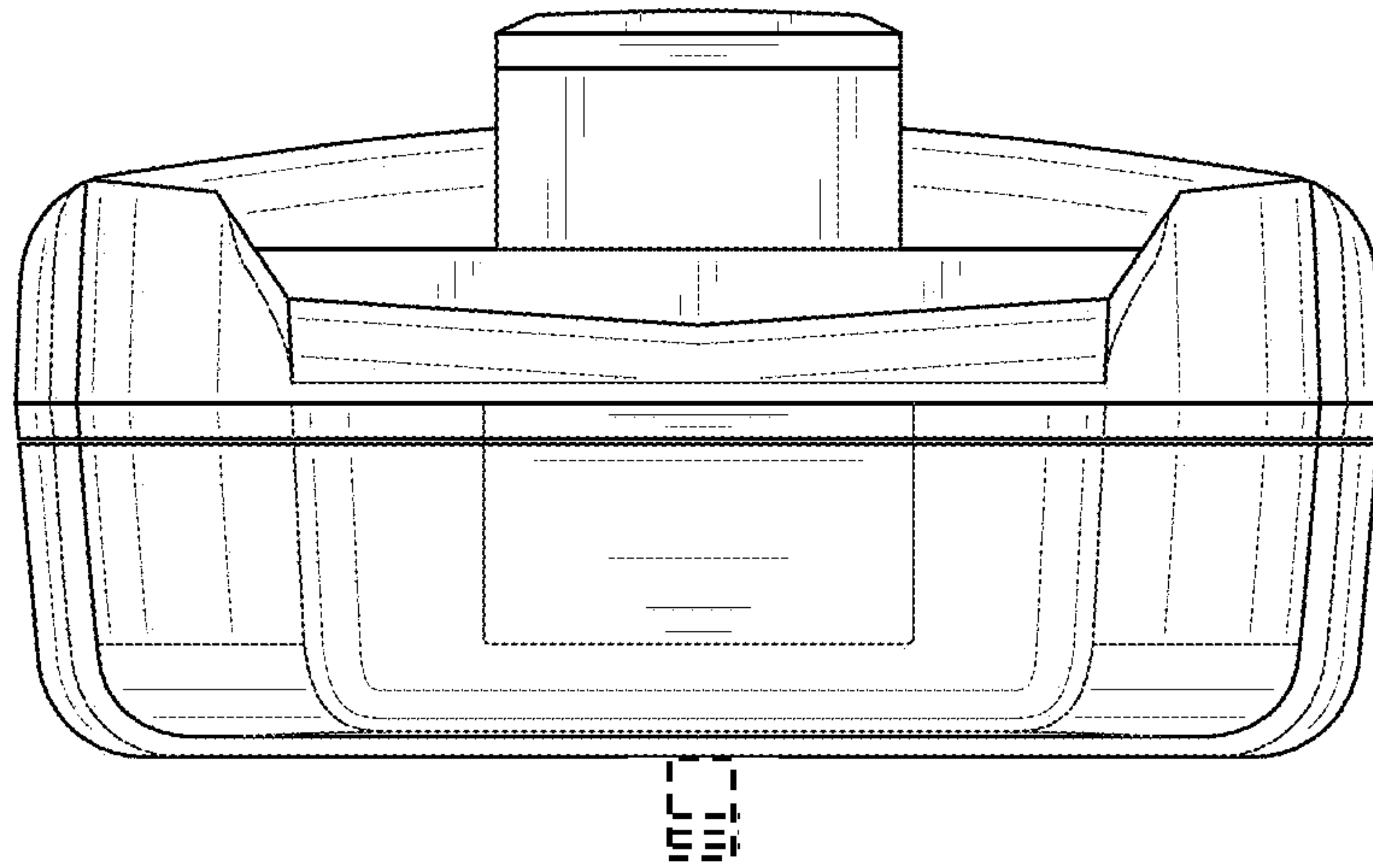


FIG. 7

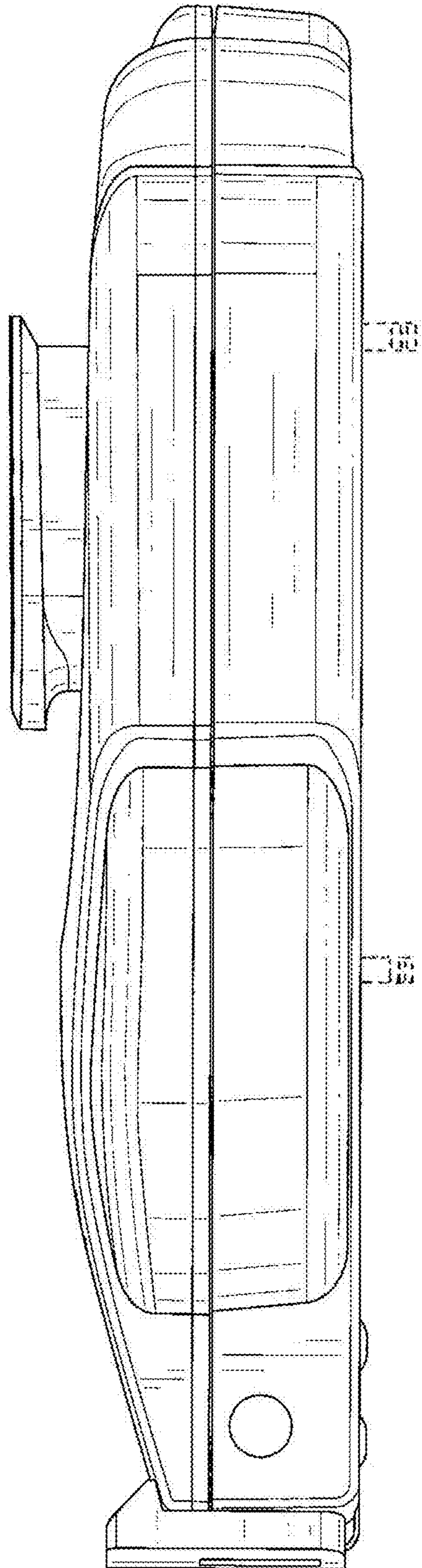


FIG. 9

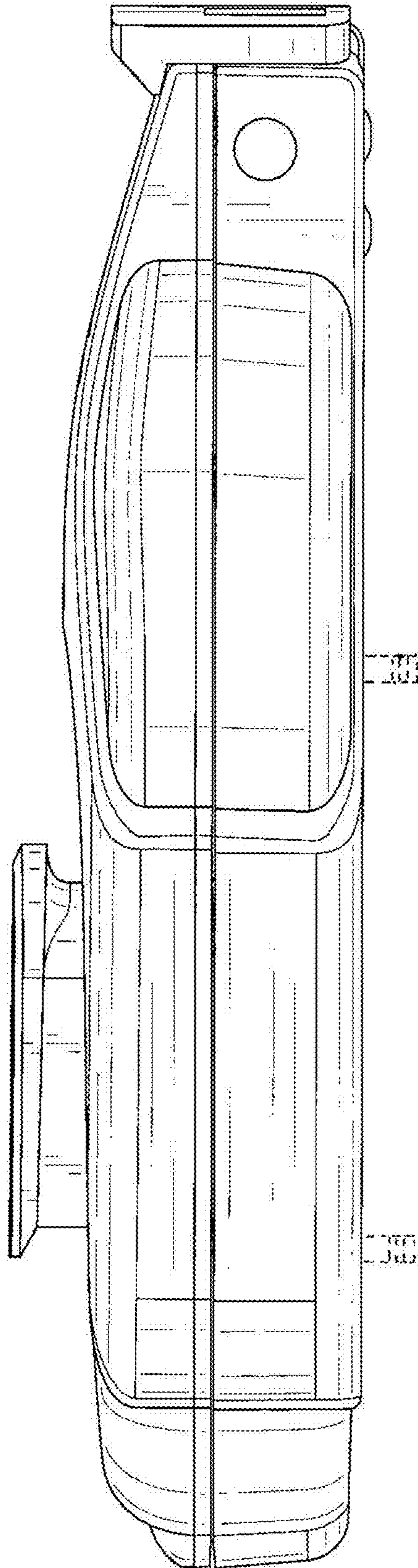


FIG. 8