



US00D821176S

(12) **United States Design Patent**
Stuart

(10) **Patent No.:** **US D821,176 S**
(45) **Date of Patent:** **** Jun. 26, 2018**

(54) **HINGE**
(71) Applicant: **Michael Christopher Stuart,**
Silverwater (AU)
(72) Inventor: **Michael Christopher Stuart,**
Silverwater (AU)
(**) Term: **15 Years**

6,408,484 B1 6/2002 Vandertouw
6,577,235 B2 6/2003 Frys
6,721,994 B2 4/2004 Bowman et al.
D649,009 S * 11/2011 Caffin D8/323
8,151,414 B2 * 4/2012 Baudasse B64G 1/222
16/227
D661,173 S * 6/2012 Caffin D8/323
D673,024 S * 12/2012 Caffin D8/323
D679,570 S * 4/2013 Farnsworth D8/323

(Continued)

(21) Appl. No.: **29/583,446**

FOREIGN PATENT DOCUMENTS

(22) Filed: **Nov. 4, 2016**

AU 66491 7/1992
DE 20307035 U1 10/2003

(Continued)

(30) **Foreign Application Priority Data**

May 5, 2016 (AU) 201612445

(51) **LOC (11) Cl.** **08-06**

(52) **U.S. Cl.**
USPC **D8/323**

(58) **Field of Classification Search**
USPC D8/323, 340, 343, 333, 325, 329, 336;
292/264; 16/387, 382, 281, 386, 211
CPC E05D 1/04; E05D 11/1014; E05B 73/007;
E05B 65/50; E05C 17/365; E05C 17/36;
E05C 17/025; B21D 53/40
See application file for complete search history.

OTHER PUBLICATIONS

U.S. Appl. No. 14/784,240, filed Oct. 13, 2015, Stuart.
(Continued)

Primary Examiner — Cynthia Underwood
(74) *Attorney, Agent, or Firm* — Moser Taboada

(57) **CLAIM**

The ornamental design for a hinge, substantially as shown and described.

(56) **References Cited**

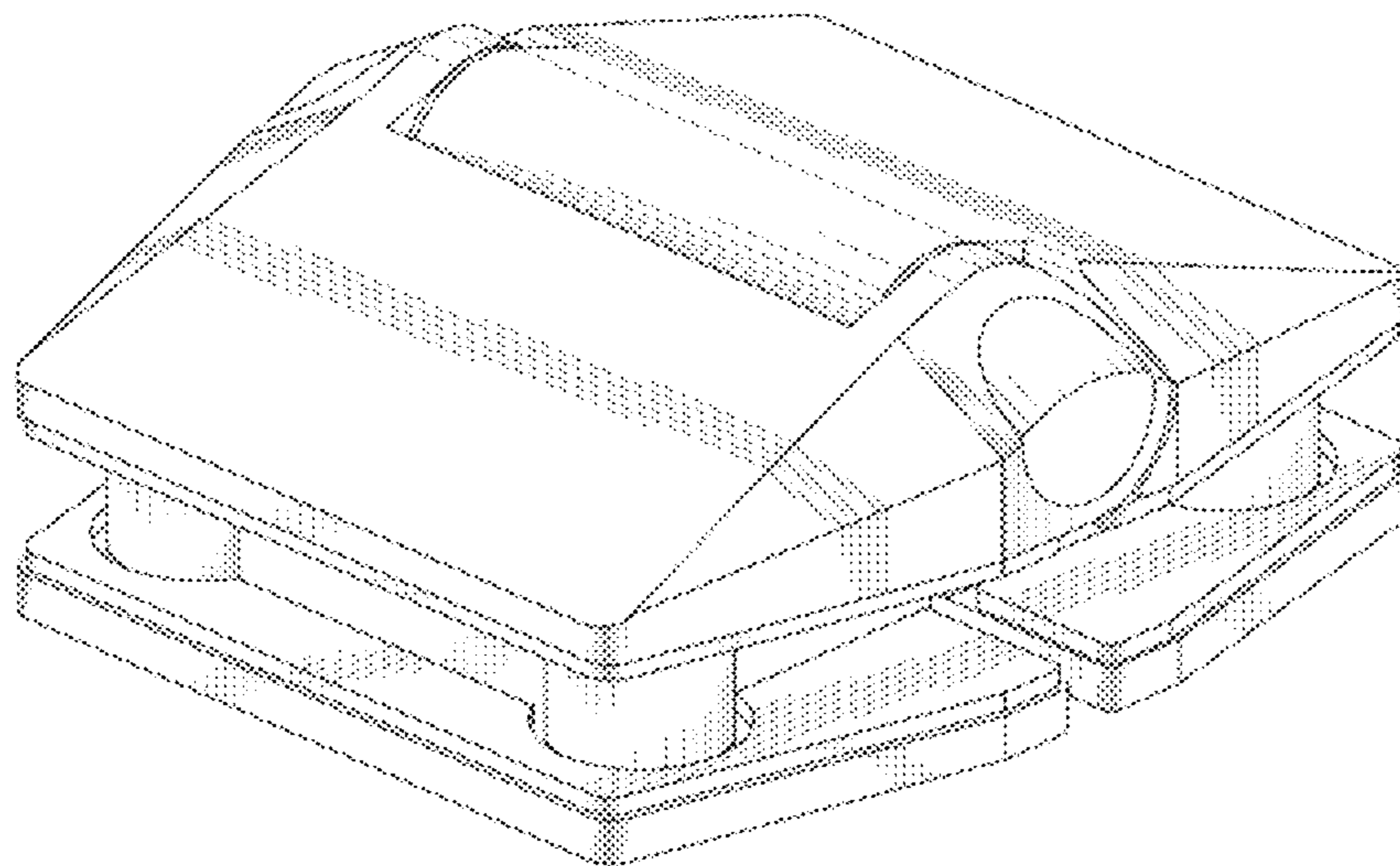
DESCRIPTION

U.S. PATENT DOCUMENTS

3,896,404 A 7/1975 Peterson
4,072,917 A 2/1978 Haag et al.
4,953,261 A 9/1990 Lyons
5,076,623 A 12/1991 Richards
5,079,798 A * 1/1992 Burke E05D 5/0246
16/252
5,412,842 A * 5/1995 Riblett E05D 5/12
16/250
D372,852 S * 8/1996 Noll D8/328
5,570,917 A 11/1996 Cutrer
5,953,771 A 9/1999 VanHuss
D436,515 S * 1/2001 Sonntag D8/328

FIG. 1 is an elevated isometric view of a hinge from the front and to the left.
FIG. 2 is a left view of the hinge.
FIG. 3 is a right view of the hinge.
FIG. 4 is a top view of the hinge.
FIG. 5 is a bottom view of the hinge.
FIG. 6 is a front view of the hinge; and,
FIG. 7 is a rear view of the hinge.
The broken lines in the drawing(s) illustrate portions of the hinge that form no part of the claimed design.

1 Claim, 7 Drawing Sheets



(56)

References Cited

U.S. PATENT DOCUMENTS

D699,093 S * 2/2014 Farnsworth D8/323
9,121,207 B2 9/2015 Stuart
D748,451 S * 2/2016 Tung D8/328
D789,172 S * 6/2017 Tomizawa D8/328

FOREIGN PATENT DOCUMENTS

DE 10 2005 005139 A1 8/2006
EP 0615716 A1 9/1994
FR 2763631 A1 11/1998
GB 2180297 A 3/1987
JP 2000-129995 A 5/2000
JP 2005-256583 A 9/2005
JP 2006-341277 A 12/2006
JP 2008158728 A 7/2008
JP 2008-193457 8/2008
JP 2010 184173 A 8/2010
KR 2001 0039399 A 5/2001
KR 2004 10197 Y1 3/2006
WO WO 1997/05356 A1 2/1997
WO WO 2003/052225 A1 6/2003
WO WO 2007/028400 A1 3/2007
WO WO 2007/126210 A1 11/2007
WO WO 2009/018615 A1 2/2009

OTHER PUBLICATIONS

U.S. Appl. No. 14/784,233, filed Oct. 13, 2015, Stuart.
“Polaris Soft Close Hinge” <https://www.good-design.com/entry/polaris-soft-close-hinge/> Submission by Applicant in Australian Designs Awards. Images uploaded Apr. 19, 2016.

* cited by examiner

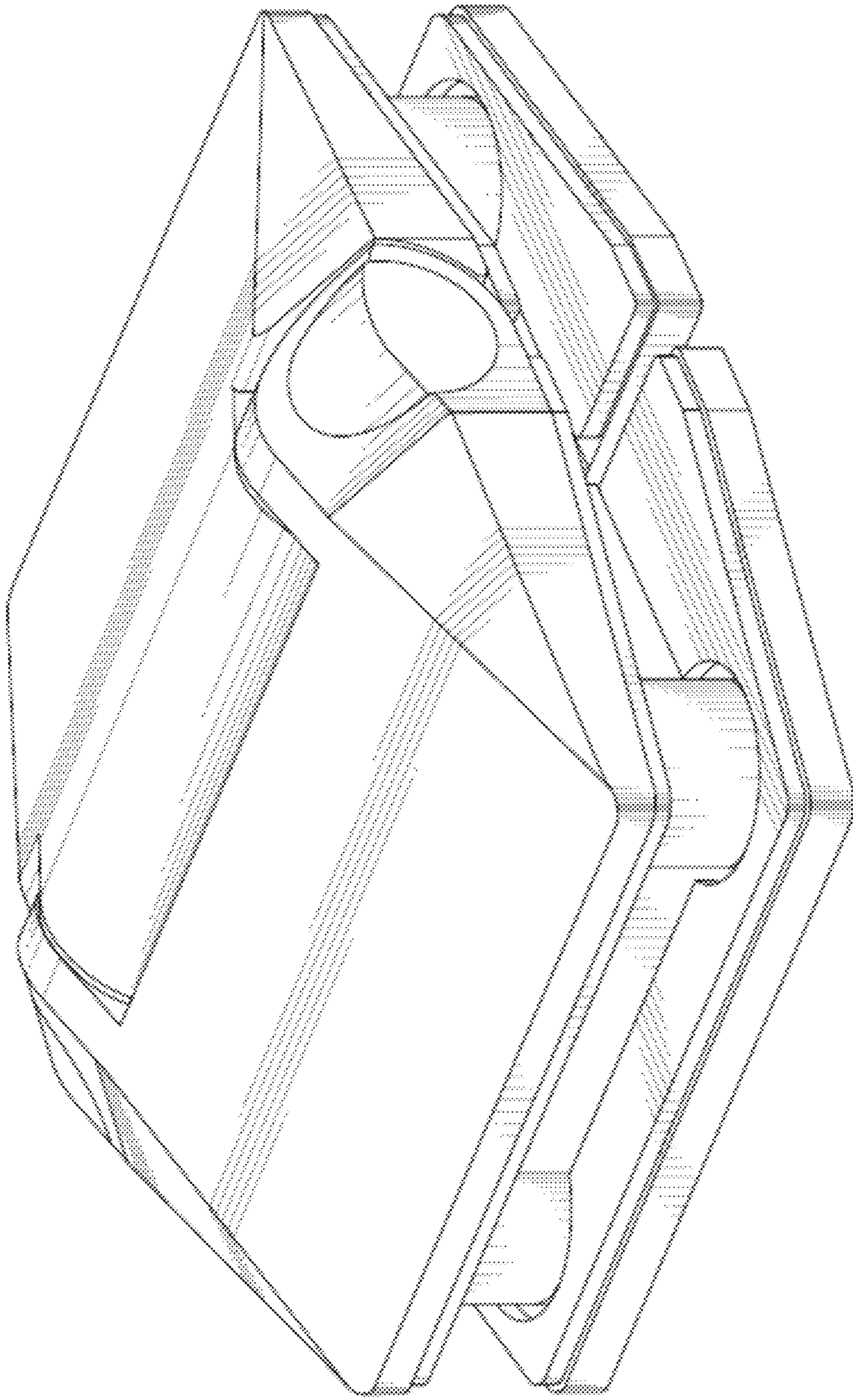


FIG. 1

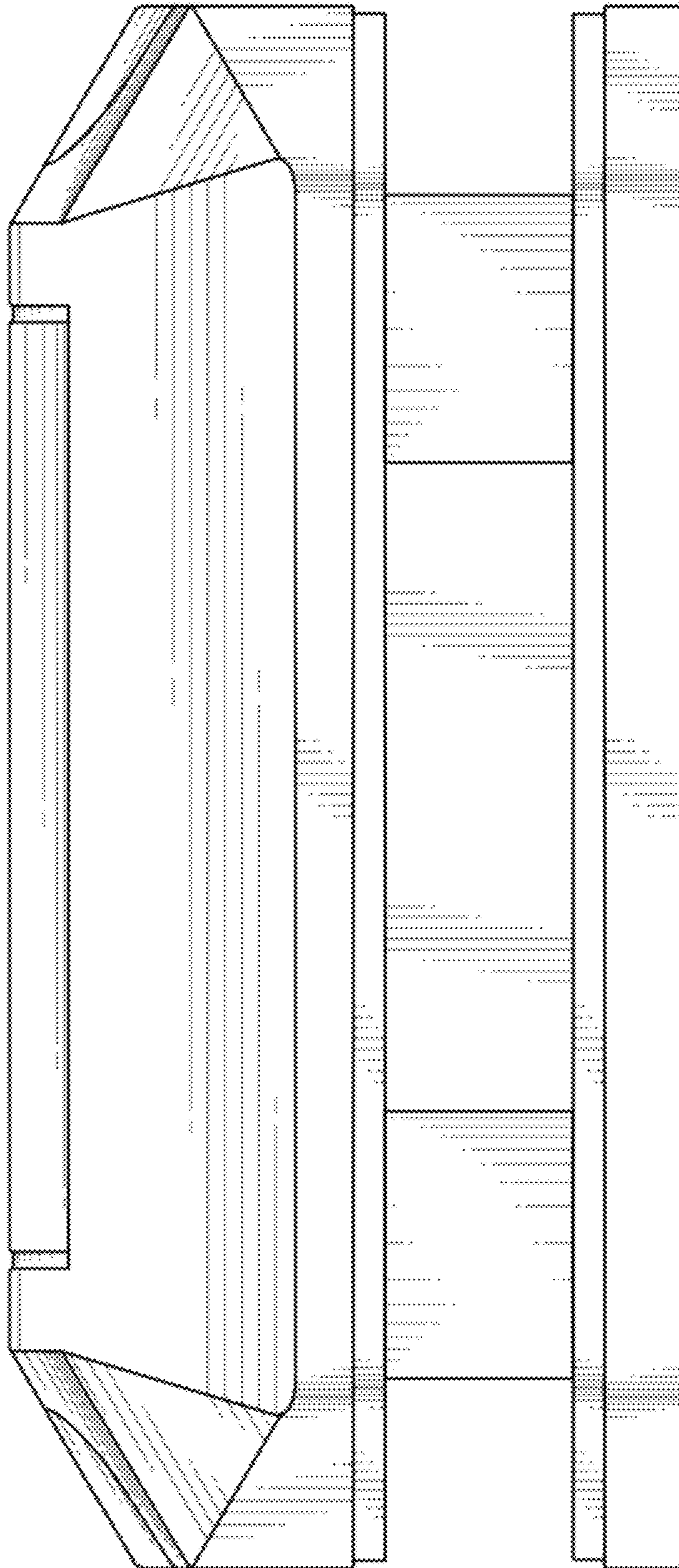


FIG. 2

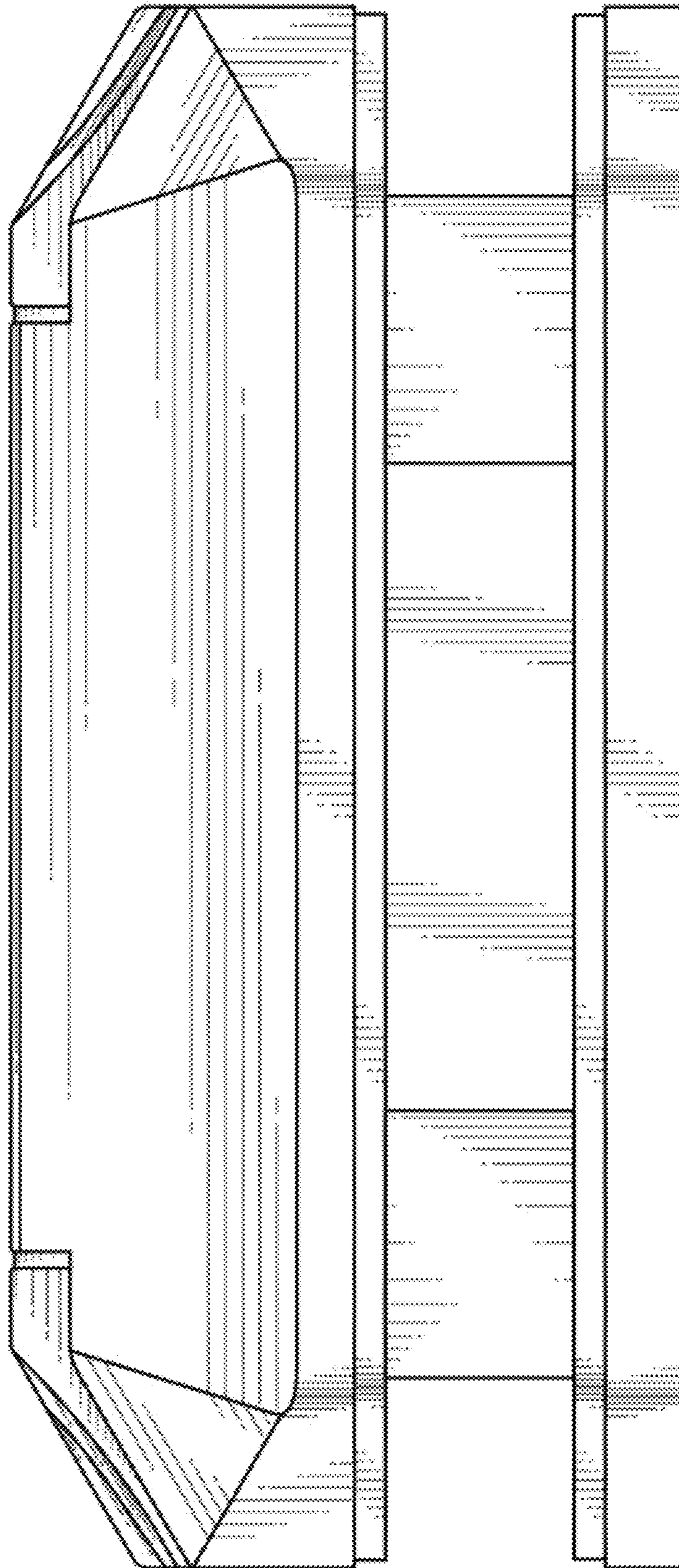


FIG. 3

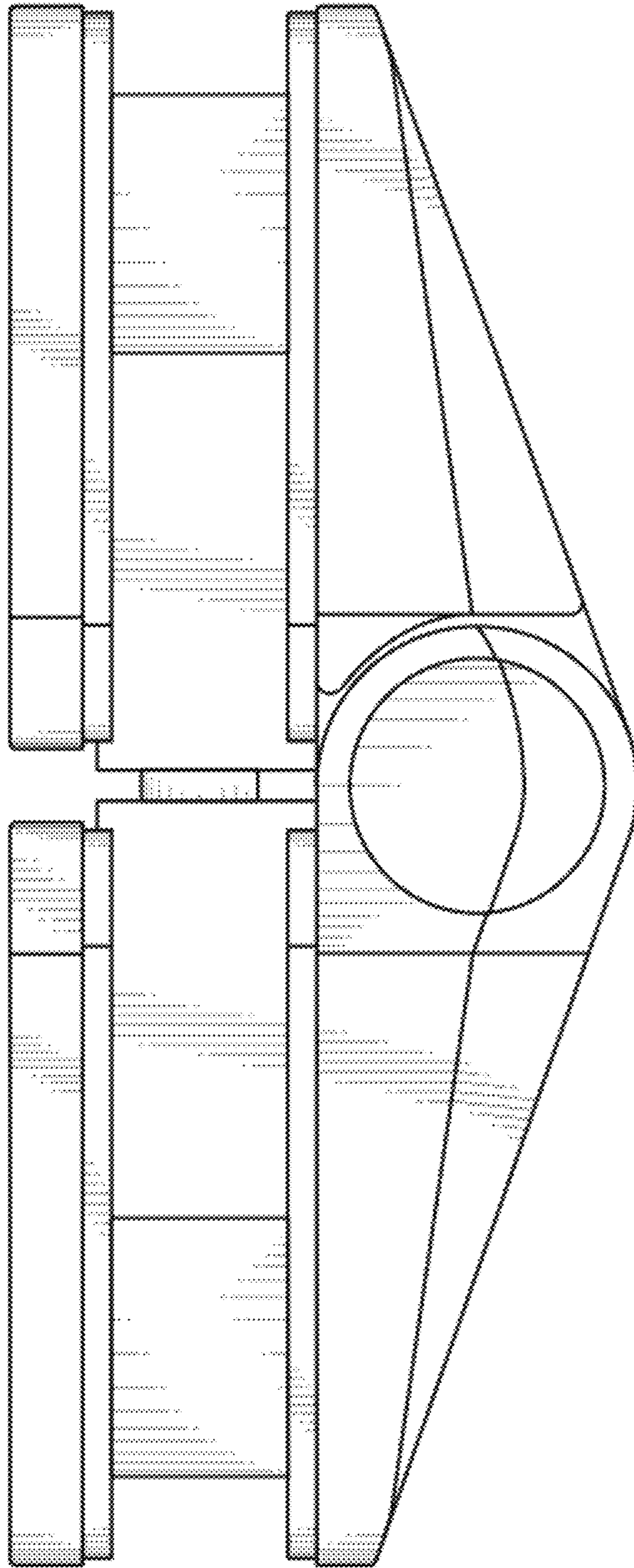


FIG. 4

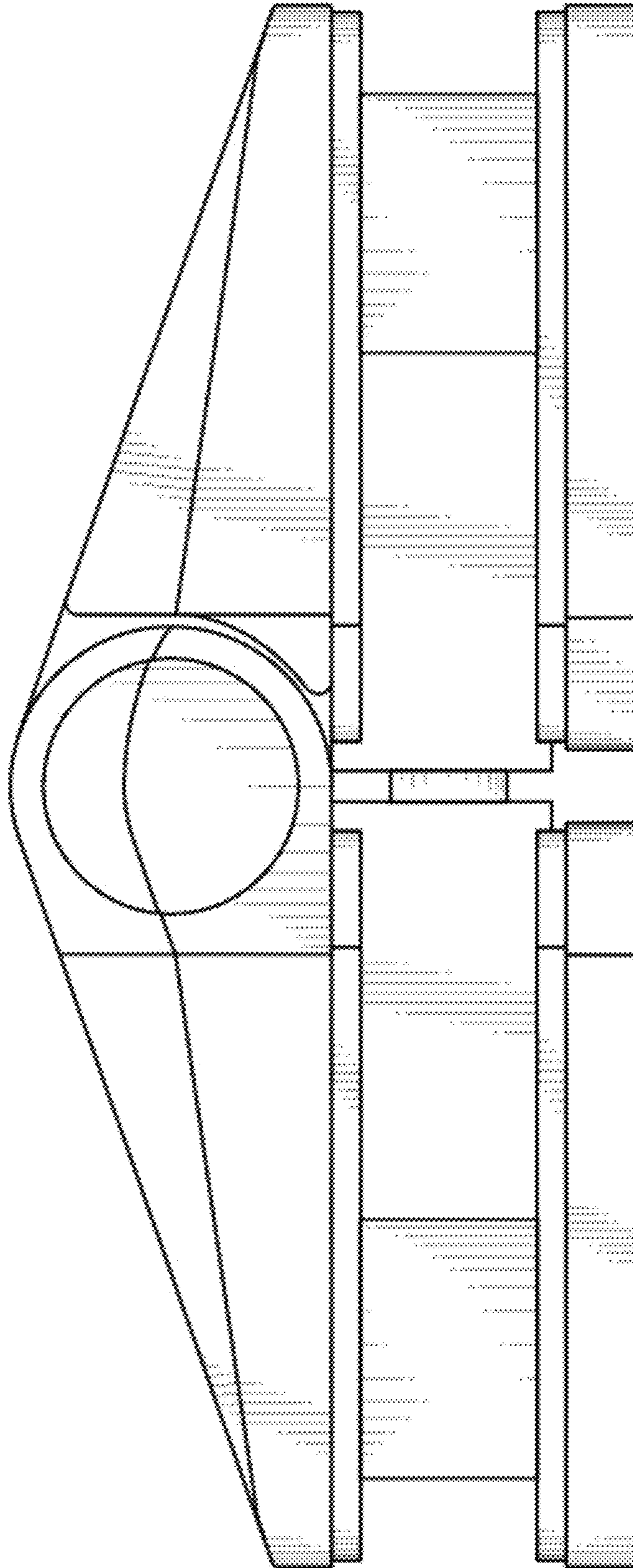


FIG. 5

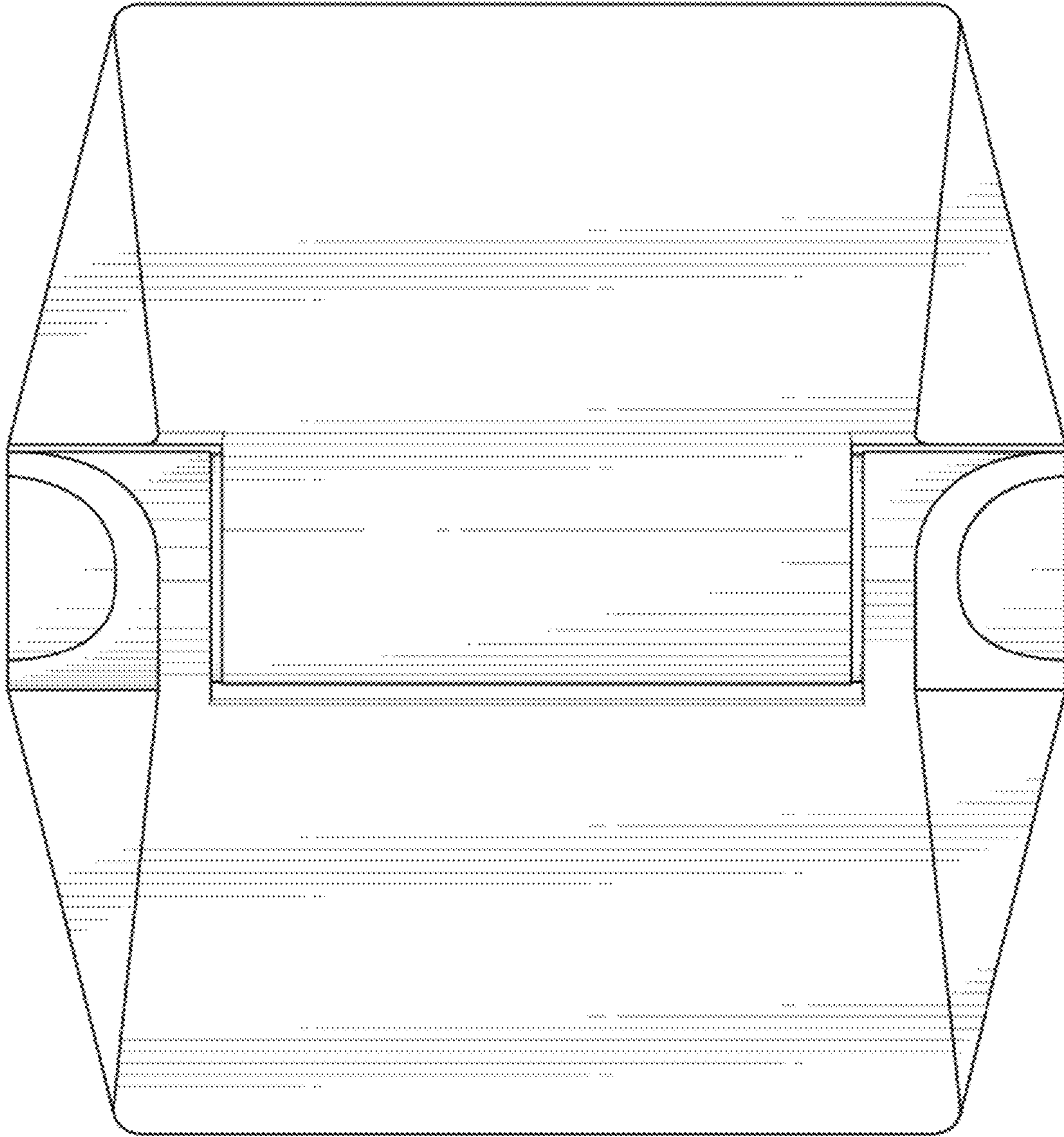


FIG. 6

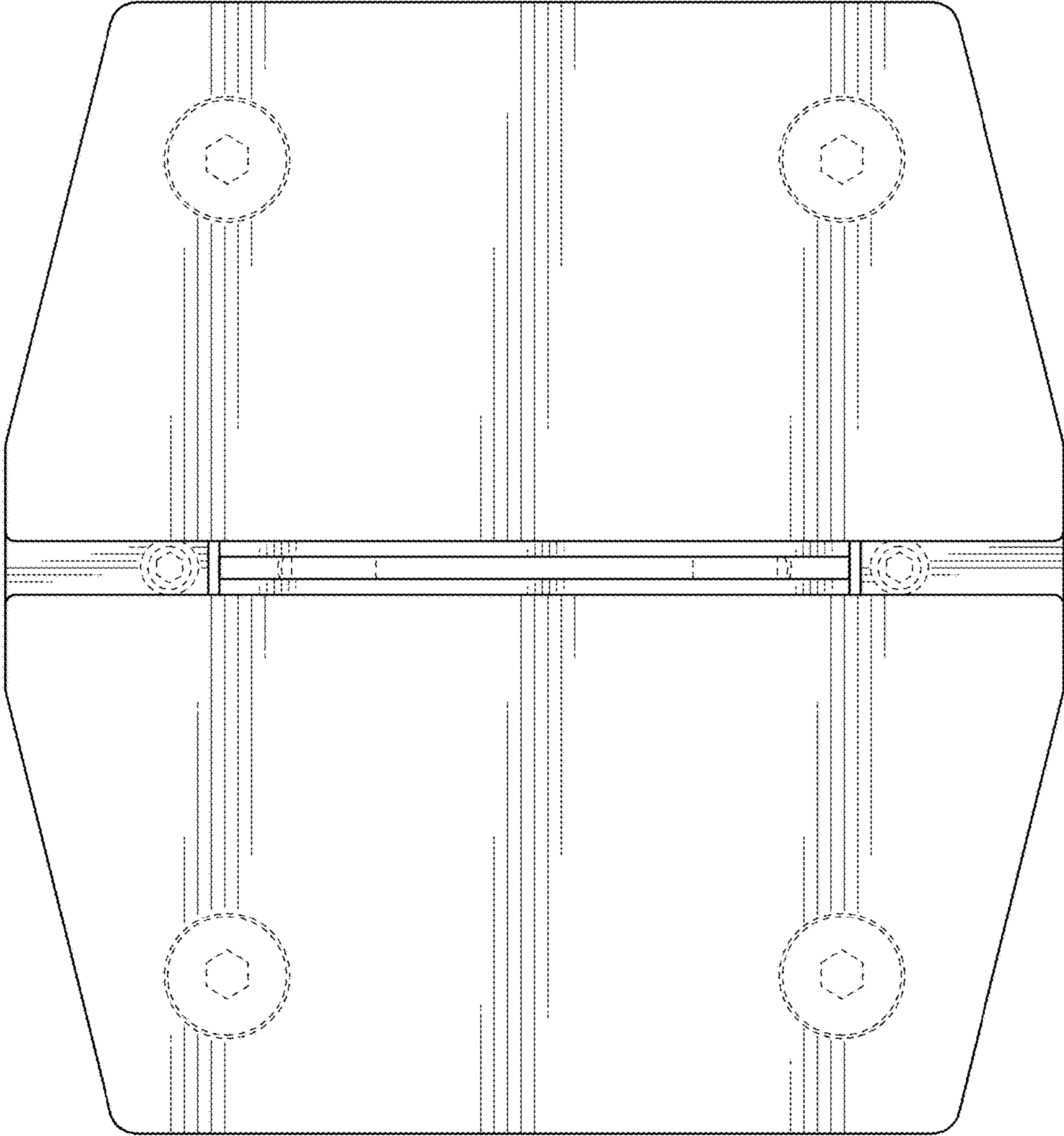


FIG. 7