



US00D821175S

(12) **United States Design Patent**  
**Grasselli et al.**

(10) **Patent No.:** **US D821,175 S**  
(45) **Date of Patent:** **\*\* \*Jun. 26, 2018**

- (54) **COLORED MEDALLION**
- (71) Applicant: **WHIRLPOOL CORPORATION**,  
Benton Harbor, MI (US)
- (72) Inventors: **Dario Grasselli**, Cornerio (IT); **Jason W. Tippetts**, Stevensville, MI (US)
- (73) Assignee: **Whirlpool Corporation**, Benton Harbor, MI (US)
- (\*) Notice: This patent is subject to a terminal disclaimer.
- (\*\*) Term: **15 Years**

2,786,983 A	3/1957	Hill	
3,664,320 A *	5/1972	Allen .....	B28D 7/04 125/35
3,790,922 A	2/1974	Normann	
3,885,319 A	5/1975	Rollband	
4,037,477 A	7/1977	Niskin	
4,295,350 A	10/1981	Grinage	
4,394,580 A	7/1983	Gielisse	
D269,957 S	8/1983	Sapadin	
4,513,502 A	4/1985	Gacek	
4,873,795 A	10/1989	Spiess et al.	
4,978,567 A	12/1990	Miller	
5,026,012 A	6/1991	Wang	
D322,926 S	1/1992	Kolada et al.	
D337,005 S	7/1993	Culverhouse	

(Continued)

- (21) Appl. No.: **29/568,071**
- (22) Filed: **Jun. 15, 2016**

**Related U.S. Application Data**

- (62) Division of application No. 29/433,145, filed on Sep. 26, 2012, now Pat. No. Des. 763,658.
- (51) **LOC (11) Cl.** ..... **08-06**
- (52) **U.S. Cl.**  
USPC ..... **D8/321**
- (58) **Field of Classification Search**  
USPC ..... D8/300, 306, 308, 310, 321, 349, 350,  
D8/352, 353, 354, 355, 356, 359, 394;  
D23/213, 233, 238, 239, 241, 243, 249,  
D23/250, 252, 253, 254  
CPC . E05B 1/00; E05B 15/00; E05B 15/02; E05B  
63/0056; E05B 21/00  
See application file for complete search history.

(56) **References Cited**

**U.S. PATENT DOCUMENTS**

1,673,677 A	6/1928	Holland
2,212,766 A	8/1940	Andelenis
2,340,703 A	2/1944	Schwabacher
2,627,533 A	2/1953	Jensen

**OTHER PUBLICATIONS**

Silberwolf, "Self Aligning Roller Thrust Bearing" Mar. 25, 2006  
[https://commons.wikimedia.org/wiki/File:Self-aligning-roller-thrust-bearing\\_din728\\_ex.png](https://commons.wikimedia.org/wiki/File:Self-aligning-roller-thrust-bearing_din728_ex.png)\*

*Primary Examiner* — Melanie H Tung  
*Assistant Examiner* — Bao-Yen T Nguyen

(57) **CLAIM**

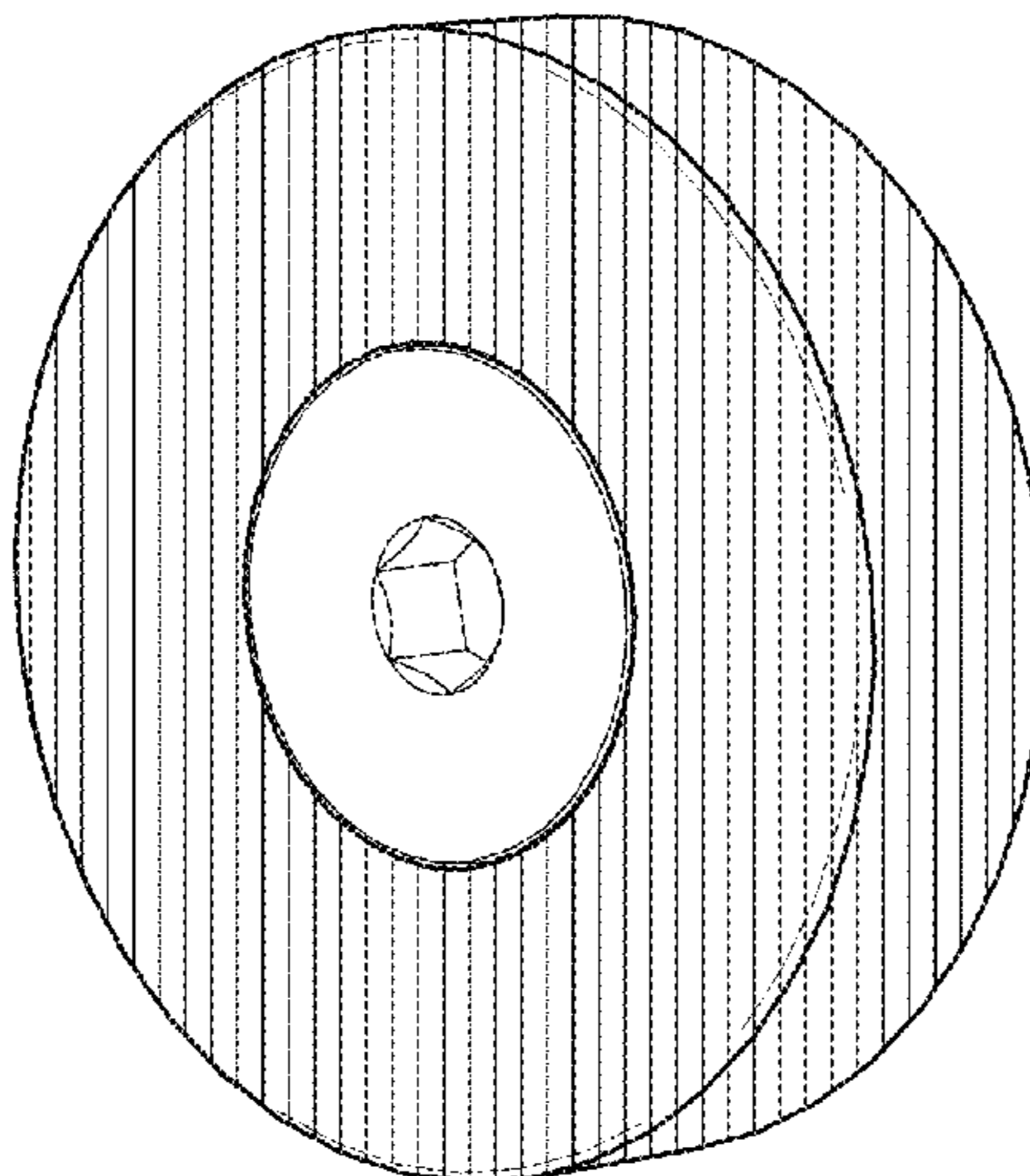
The ornamental design for a colored medallion, as shown and described.

**DESCRIPTION**

FIG. 1 is a perspective view of a colored medallion, which is illustrated in an exemplary location of a handle;  
FIG. 2 is a perspective view of the colored medallion, which is illustrated in an exemplary location of a knob;  
FIG. 3 is a front perspective view of the colored medallion;  
FIG. 4 is a front elevational view of the colored medallion of FIG. 3; and,  
FIG. 5 is a side elevational view of the colored medallion of FIG. 3.

The broken lines depict a portion of the article that forms no part of the claimed design.

**1 Claim, 3 Drawing Sheets**



(56)

**References Cited**

U.S. PATENT DOCUMENTS

D348,822	S	7/1994	Donofrio	
5,429,217	A	7/1995	Stringer et al.	
5,462,294	A *	10/1995	Wendhack .....	B23Q 3/067 269/88
D365,024	S	12/1995	DuBow	
5,482,300	A *	1/1996	Wendhack .....	B23Q 3/067 269/88
D369,288	S	4/1996	Jensen	
5,609,713	A	3/1997	Kime et al.	
D380,133	S	6/1997	Rochette et al.	
D383,702	S	9/1997	MacDonald	
5,915,580	A	6/1999	Melk	
5,922,993	A	7/1999	Ide et al.	
5,972,009	A	7/1999	Fortier et al.	
6,013,374	A	1/2000	Watanabe et al.	
D423,621	S	4/2000	Holtby	
D436,309	S	1/2001	Mahlmann et al.	
6,189,356	B1	2/2001	Simeone et al.	
6,238,218	B1	5/2001	Baffert	
D451,363	S	12/2001	Miller	
D542,120	S	5/2007	Decoopman	
D546,659	S	7/2007	Smith	
D562,124	S	2/2008	Hargis	
D636,289	S	4/2011	Cohen	
2011/0073328	A1	3/2011	Clemens et al.	
2011/0234040	A1 *	9/2011	Luo .....	H01R 39/06 310/233
2011/0278515	A1 *	11/2011	Perio .....	E21B 19/08 254/30
2016/0016650	A1 *	1/2016	Smith .....	B63H 23/02 476/9

\* cited by examiner

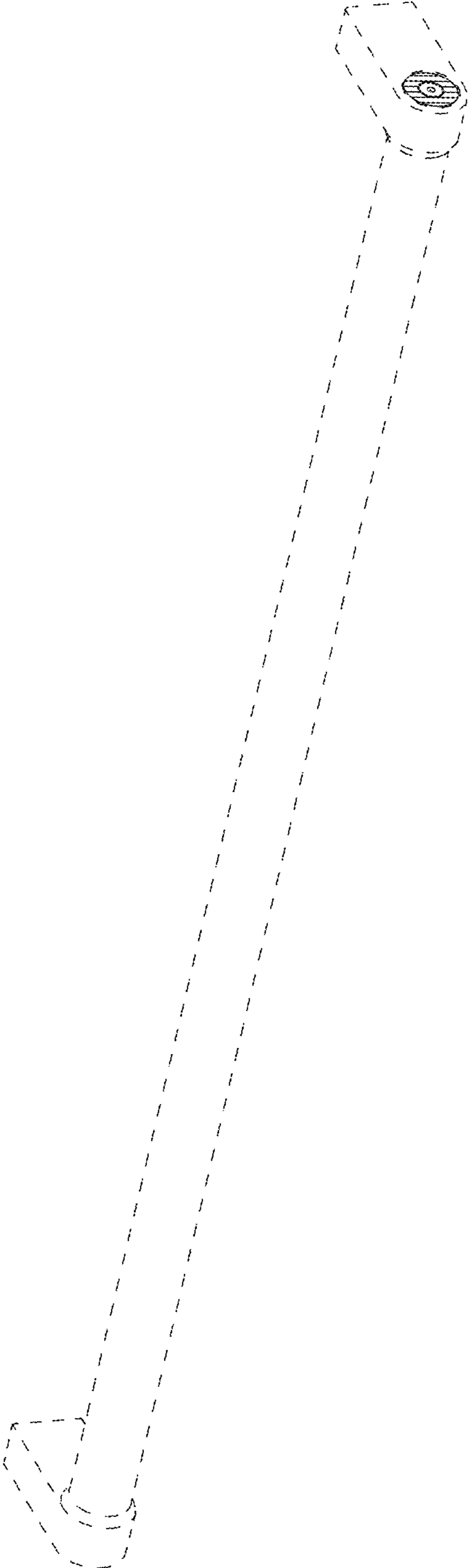
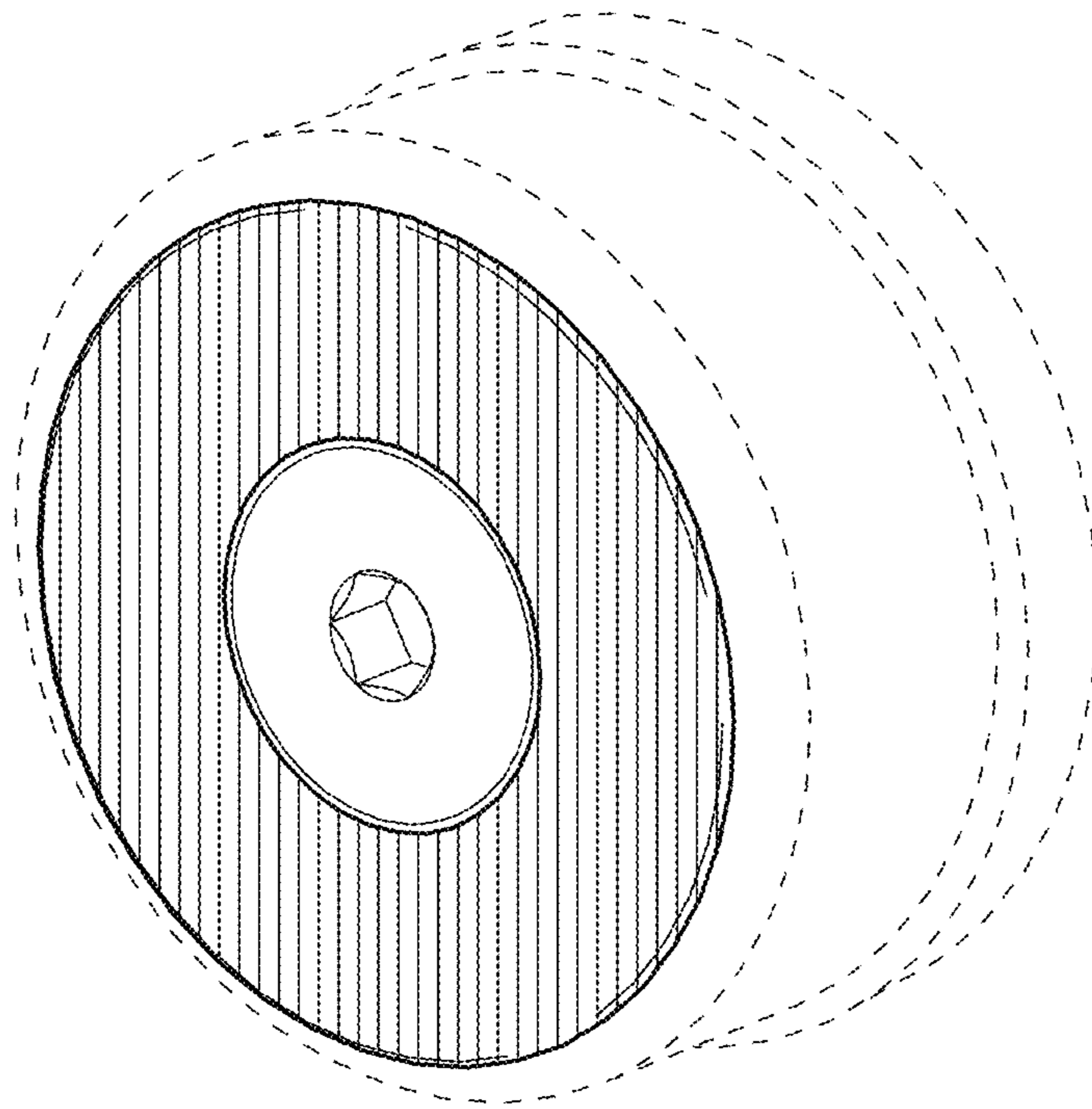
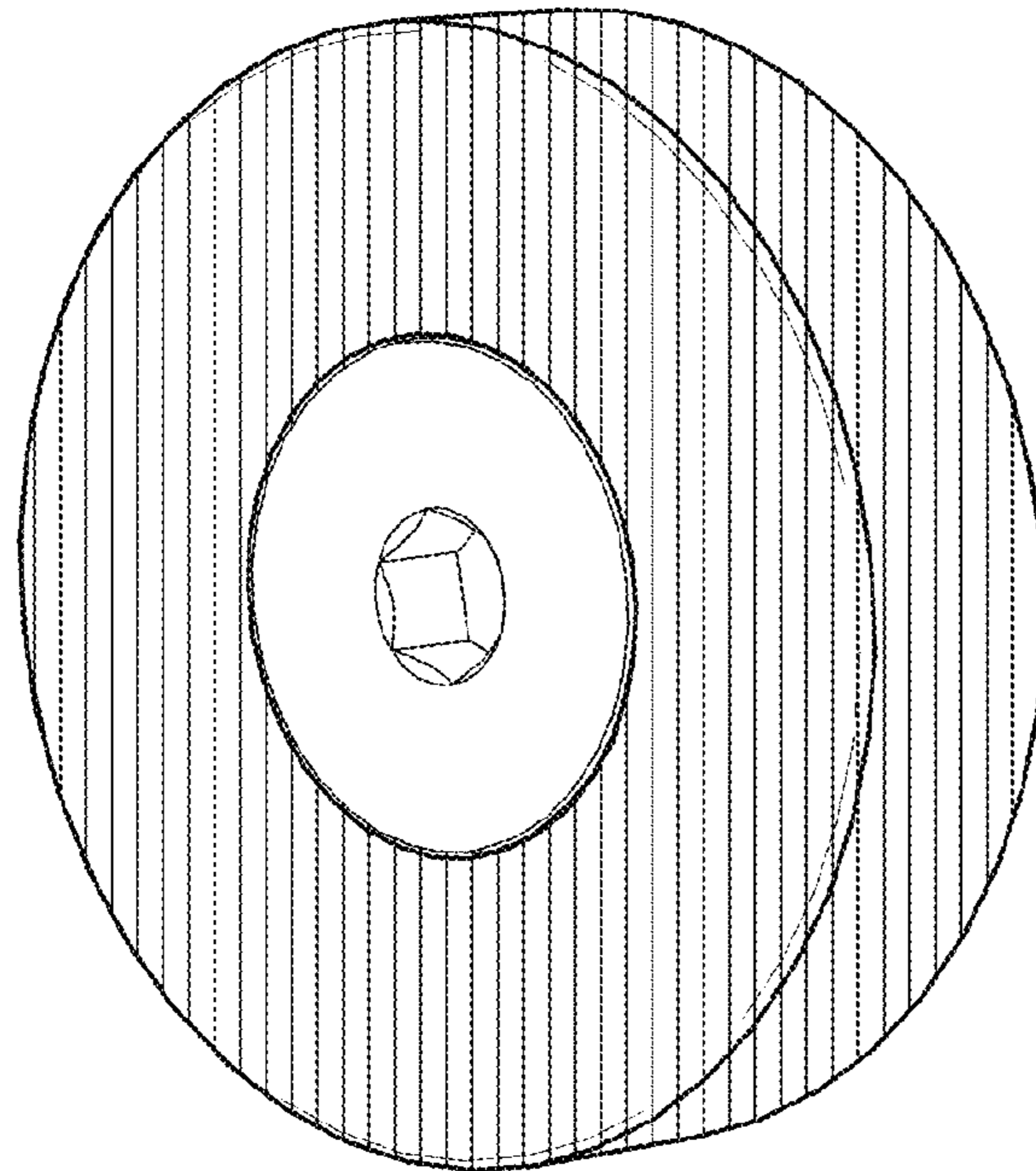


FIG. 1

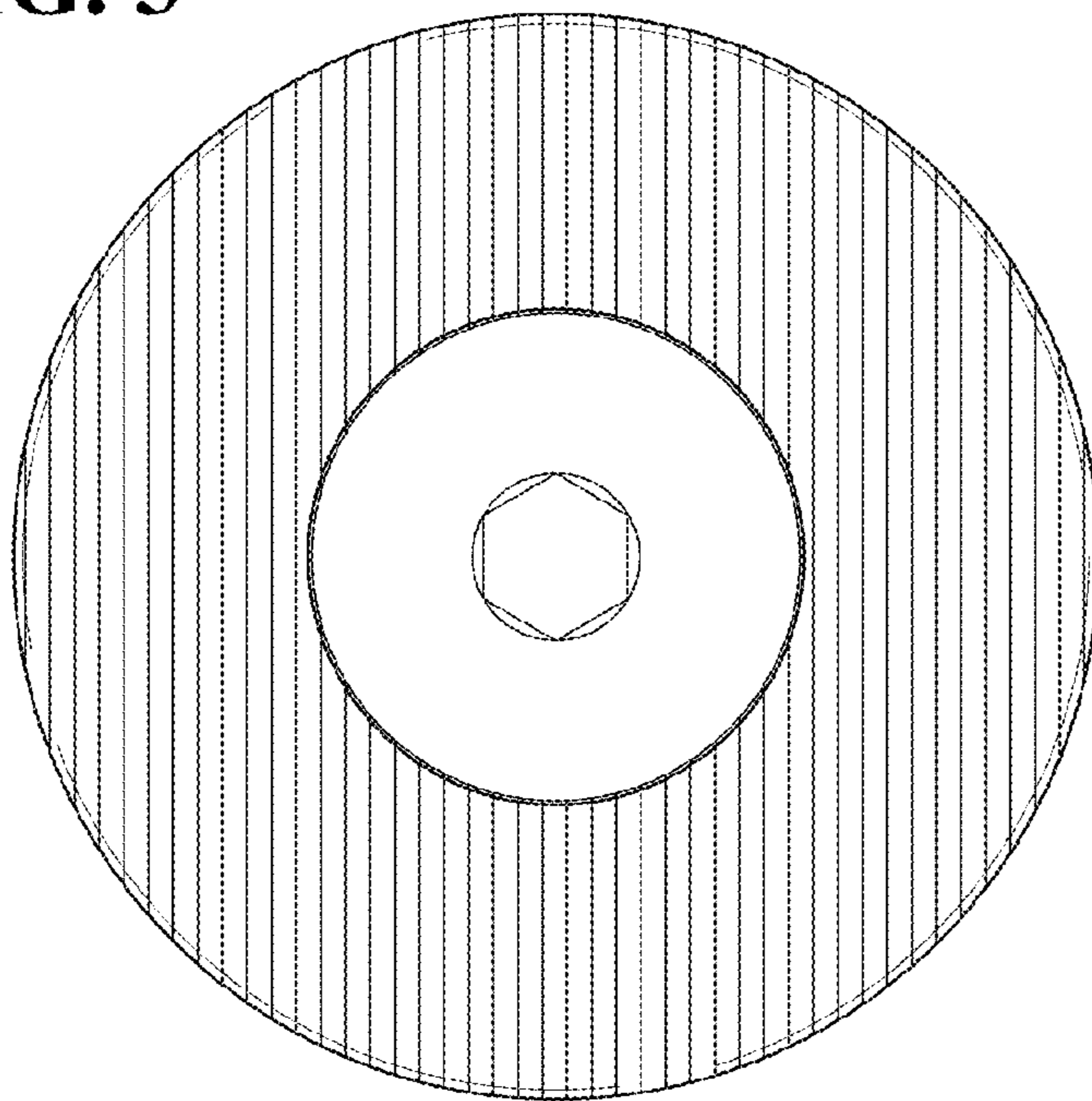


**FIG. 2**

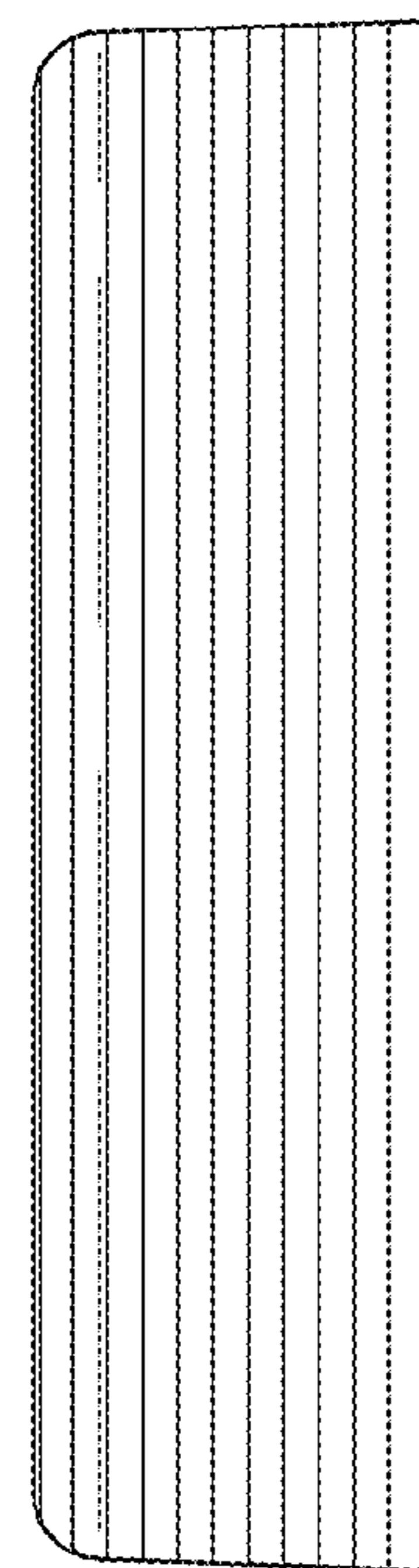




**FIG. 3**



**FIG. 4**



**FIG. 5**