



US00D821172S

(12) **United States Design Patent**
Romanak

(10) **Patent No.:** **US D821,172 S**
(45) **Date of Patent:** **** Jun. 26, 2018**

- (54) **RATCHET**
- (71) Applicant: **Cequent Consumer Products, Inc.**,
Solon, OH (US)
- (72) Inventor: **Matthew Romanak**, Garfield Heights,
OH (US)
- (73) Assignee: **HORIZON GLOBAL AMERICAS**
INC., Plymouth, MI (US)
- (**) Term: **15 Years**
- (21) Appl. No.: **29/586,510**
- (22) Filed: **Dec. 5, 2016**

- D530,997 S * 10/2006 Hsieh D8/44
- 7,448,596 B1 * 11/2008 Chang B25B 25/00
24/69 ST
- D661,562 S * 6/2012 Stevens D8/44
- D675,498 S * 2/2013 Stevens D8/44
- 2004/0169170 A1 * 9/2004 Hernandez, Jr. B66D 3/02
254/243
- 2006/0277726 A1 * 12/2006 Hsieh B25B 25/00
24/68 R
- 2009/0279978 A1 * 11/2009 Polin, Jr. B65D 63/16
410/100
- 2009/0283729 A1 * 11/2009 Carlson B25B 25/00
254/218

* cited by examiner

Primary Examiner — Phillip S Hyder

(74) *Attorney, Agent, or Firm* — McDonald Hopkins LLC

Related U.S. Application Data

- (63) Continuation-in-part of application No. 29/580,310,
filed on Oct. 7, 2016.
- (51) **LOC (11) Cl.** **08-05**
- (52) **U.S. Cl.**
USPC **D8/44**
- (58) **Field of Classification Search**
USPC D8/44, 14, 51
CPC B25B 25/00; B21F 9/00; B60P 7/0823;
B60P 7/083; B60P 7/0846; Y10T 24/21;
Y10T 24/2117
See application file for complete search history.

(57) **CLAIM**

The ornamental design for a ratchet, as shown and described.

DESCRIPTION

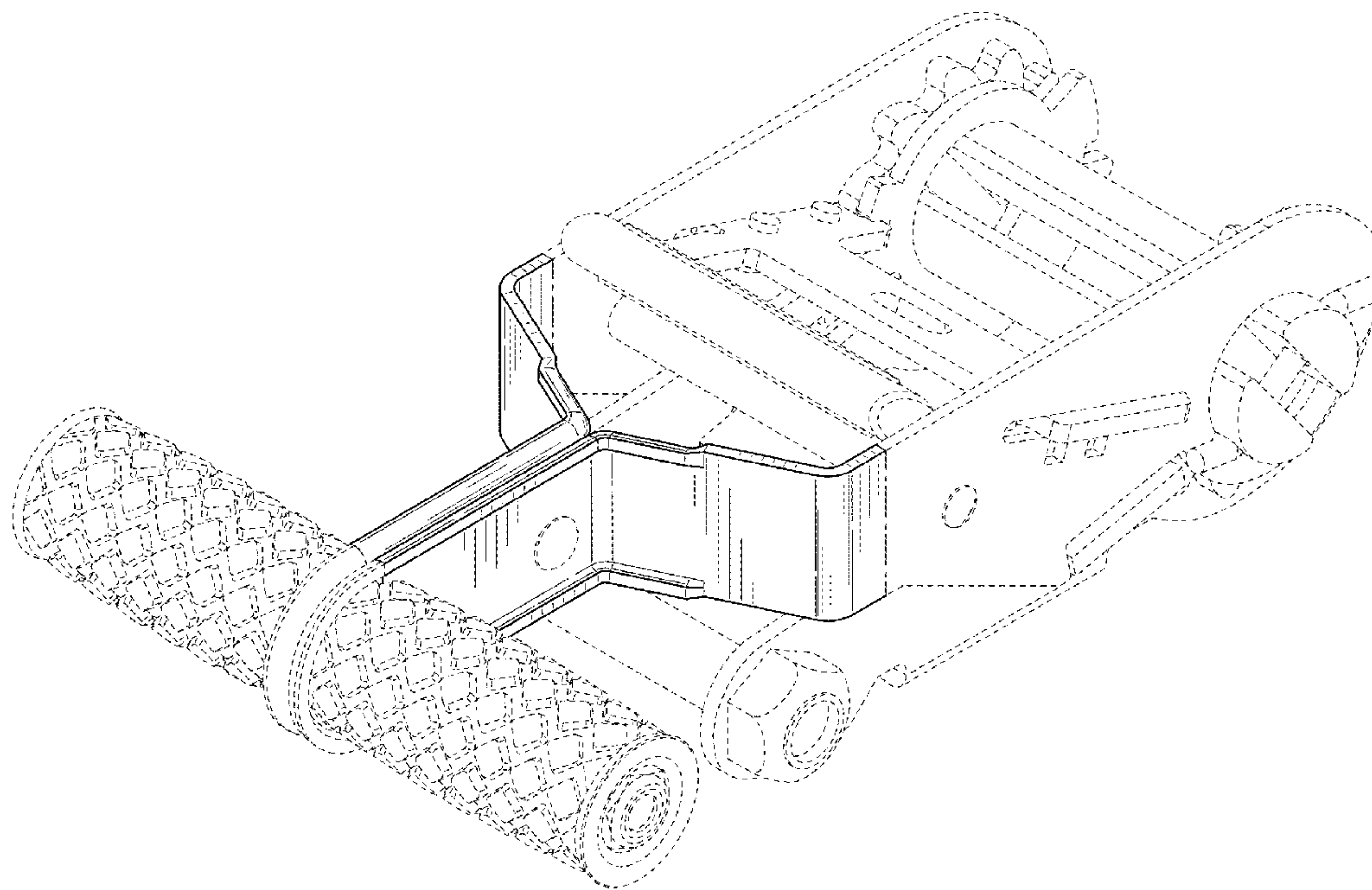
FIG. 1 is a perspective view of a ratchet showing my new design;
 FIG. 2 is a front side view of FIG. 1 thereof;
 FIG. 3 is a back side view of FIG. 1 thereof;
 FIG. 4 is a first side view of FIG. 1 thereof;
 FIG. 5 is a second side view of FIG. 1 thereof;
 FIG. 6 is a top view of FIG. 1 thereof; and,
 FIG. 7 is a bottom view of FIG. 1 thereof.
 The broken lines in the figures are included for the purpose of illustrating portions of a ratchet and form no part of the claimed design.

(56) **References Cited**

U.S. PATENT DOCUMENTS

- D266,828 S * 11/1982 Prete, Jr. D8/383
- 6,908,073 B1 * 6/2005 Hsien B66D 3/04
16/422

1 Claim, 6 Drawing Sheets



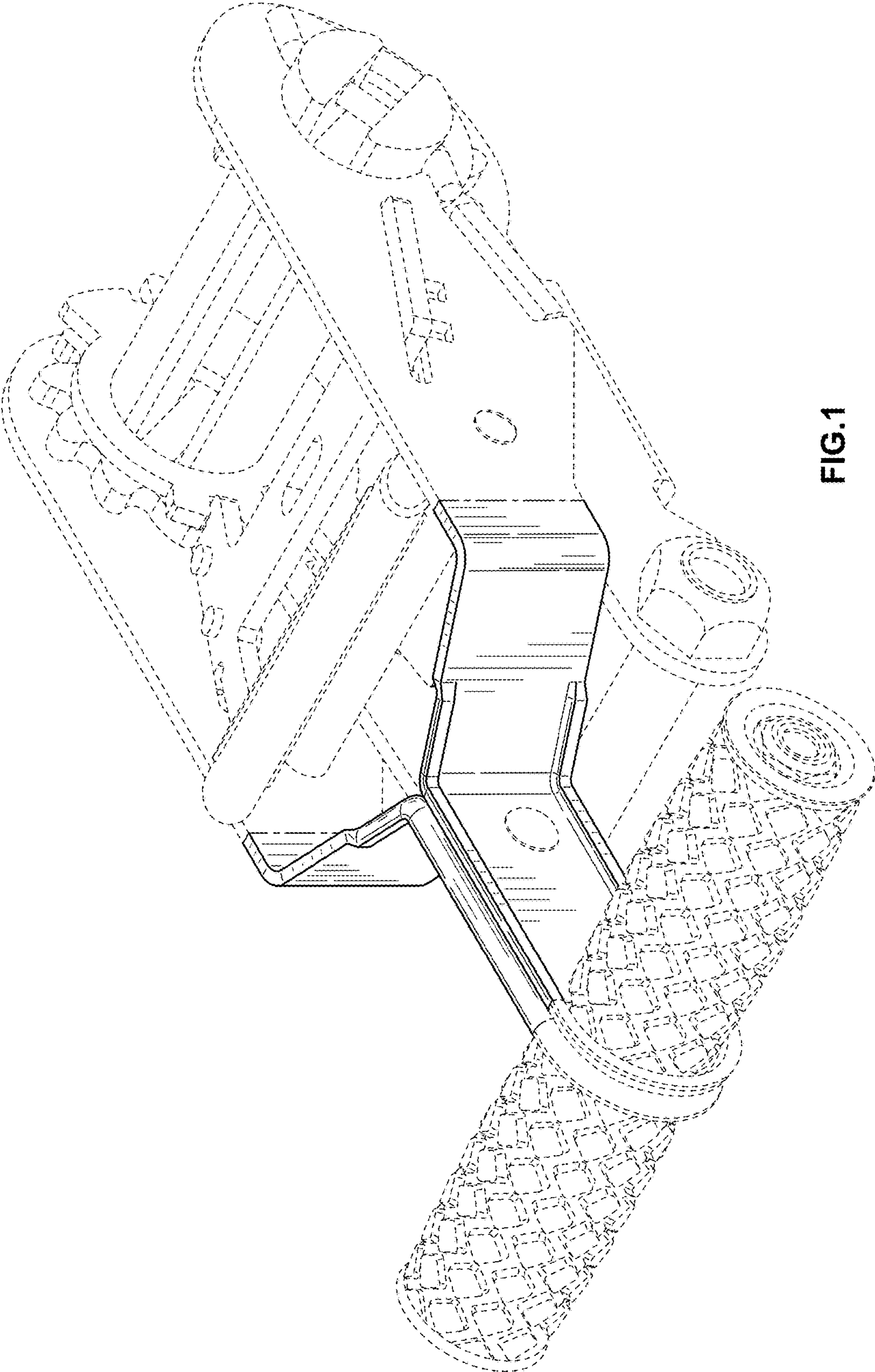


FIG. 1

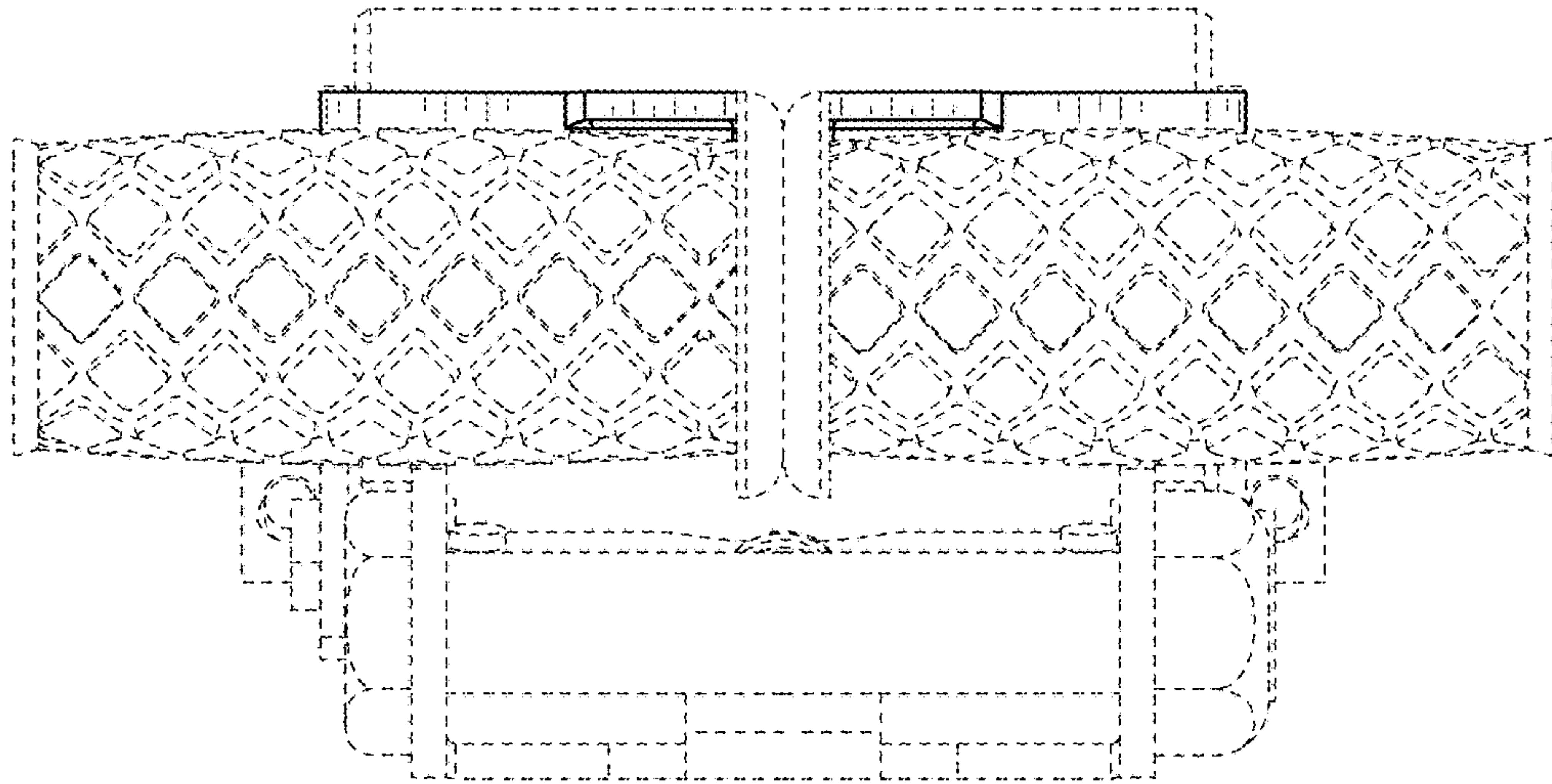


FIG. 2

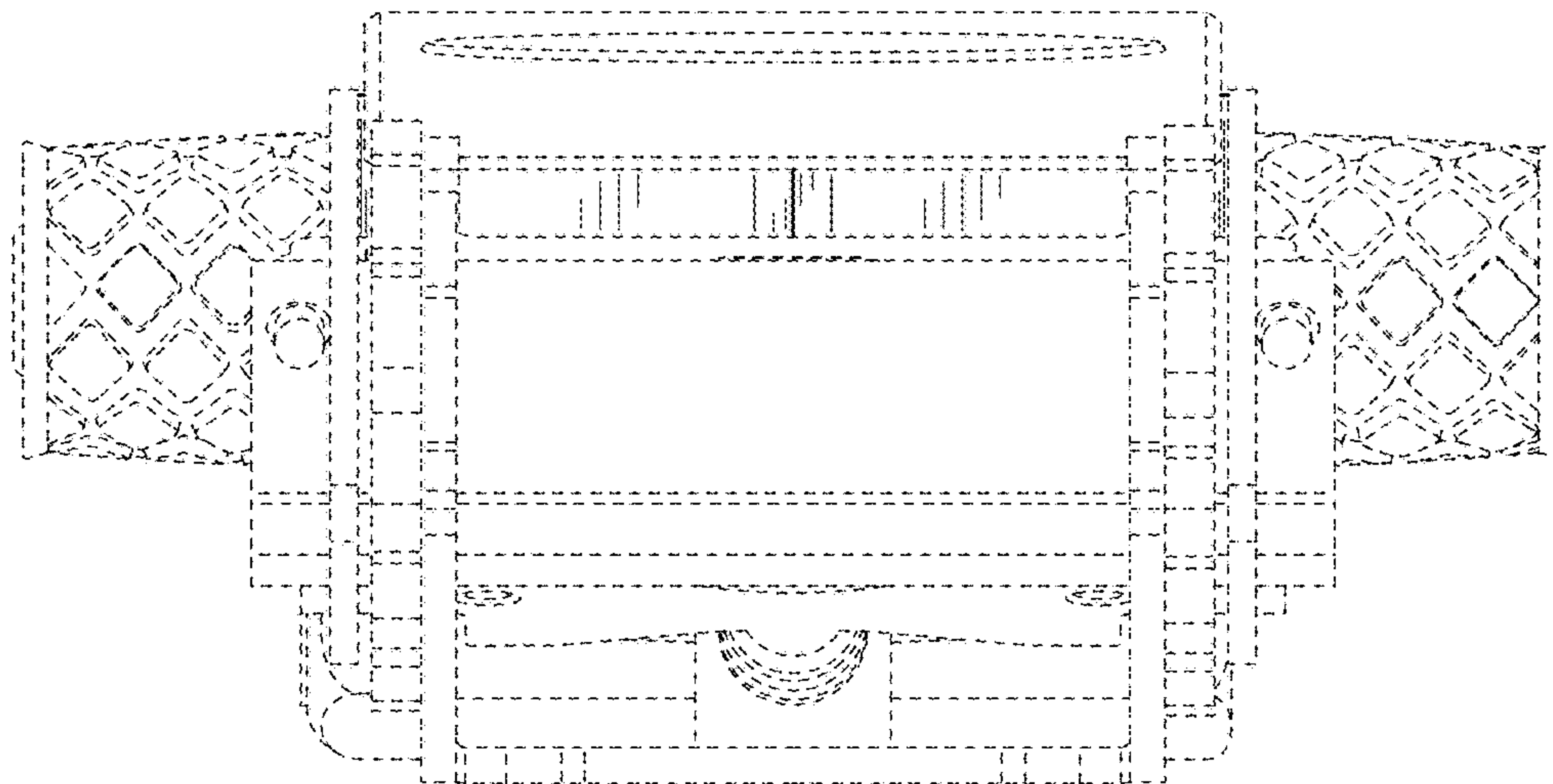


FIG. 3

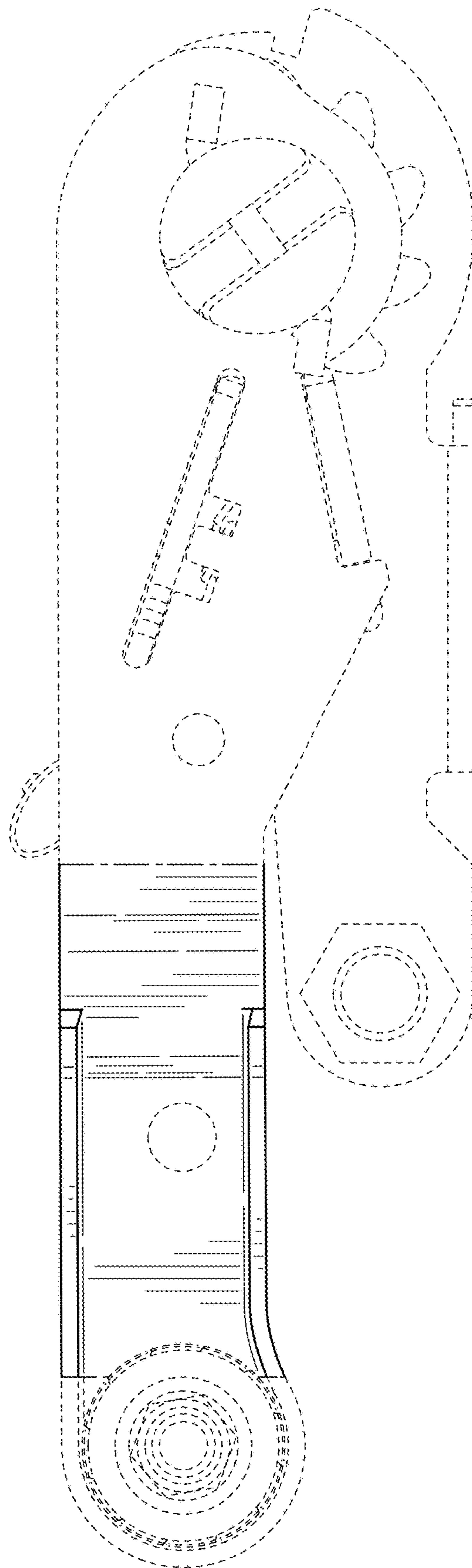


FIG. 4

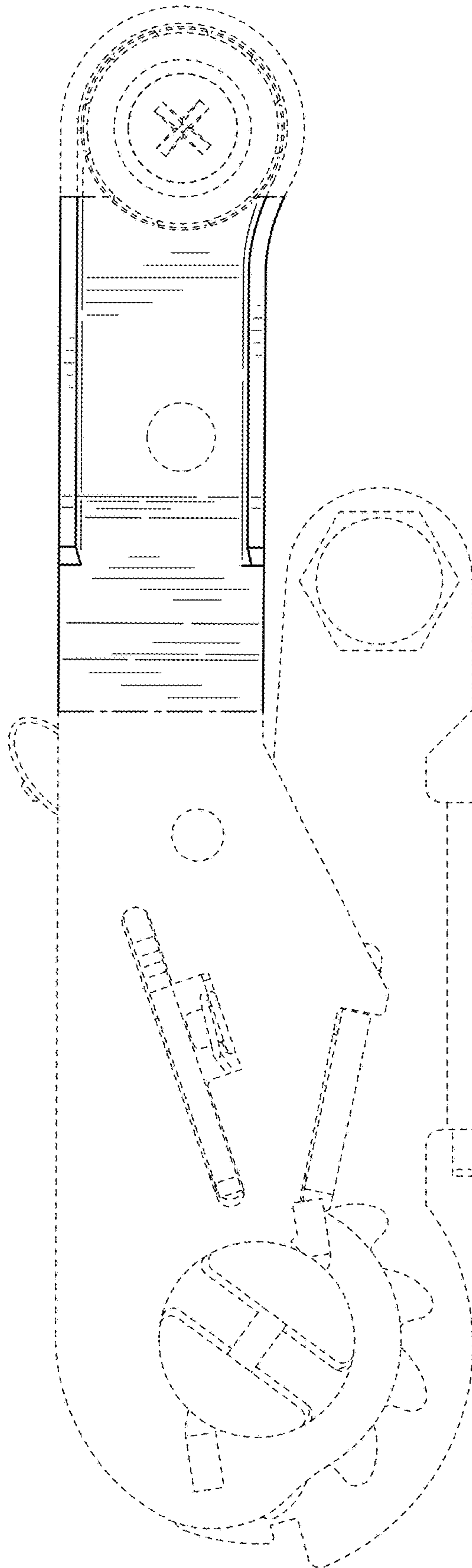


FIG. 5

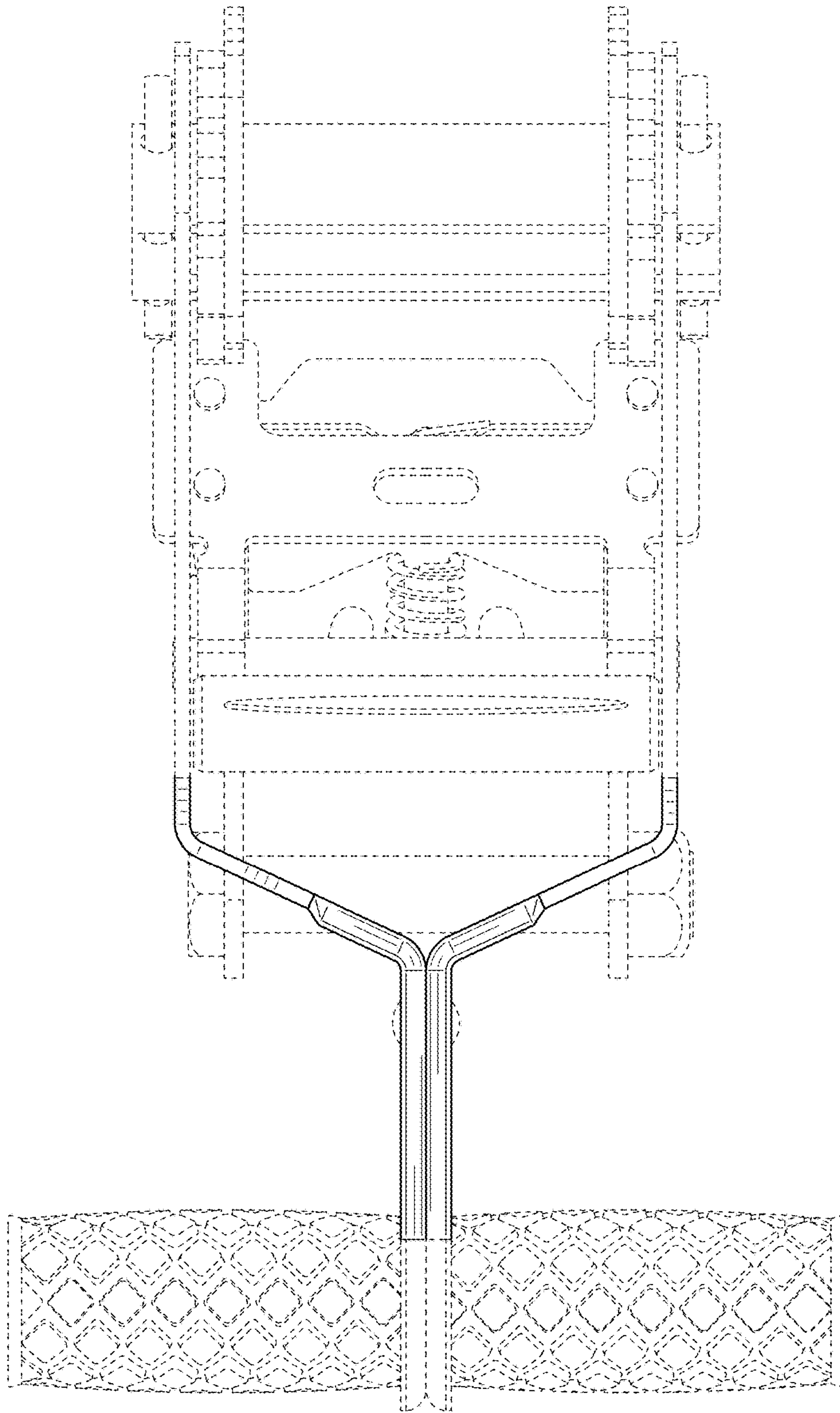


FIG. 6

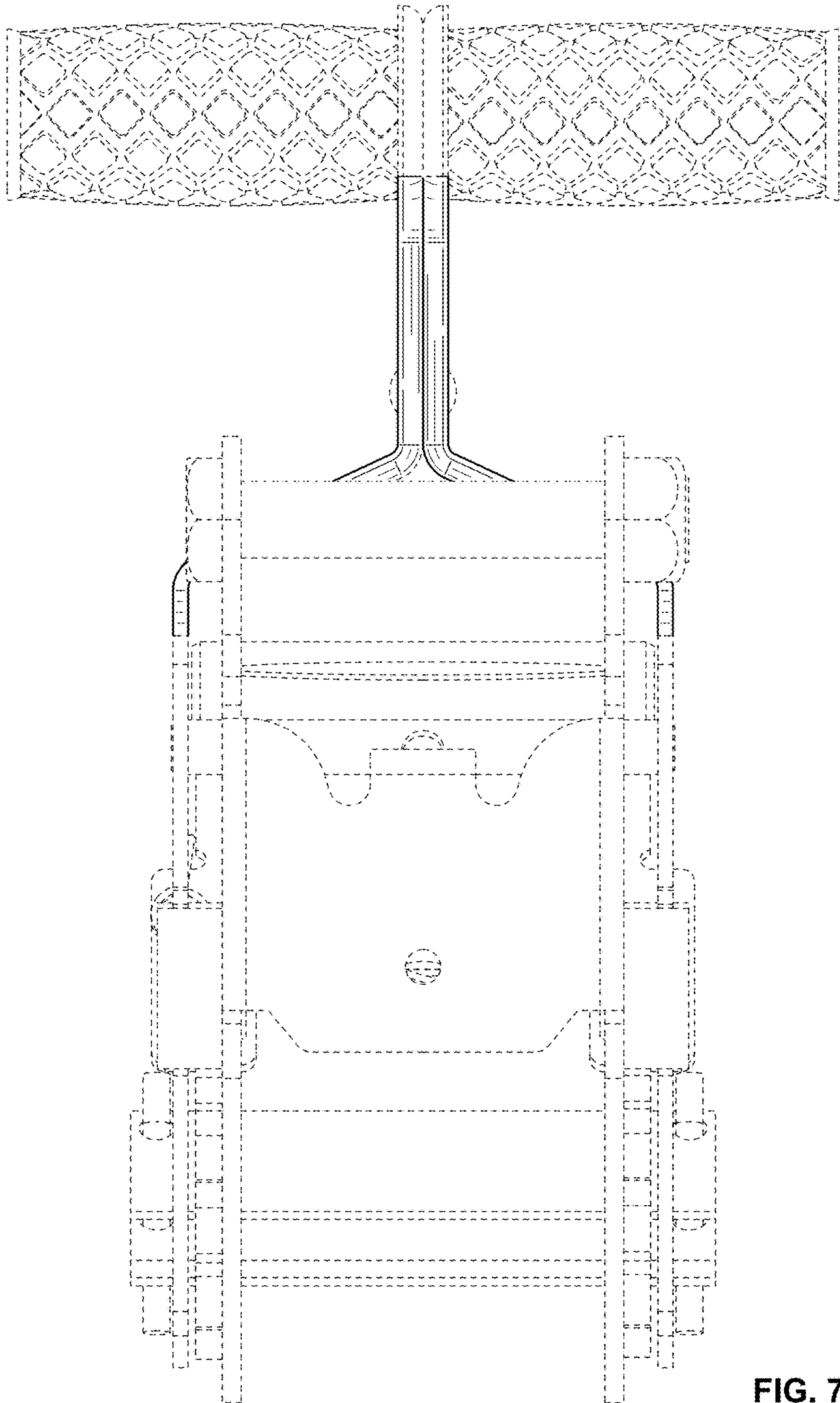


FIG. 7