



US00D821169S

(12) **United States Design Patent**
Hsu

(10) **Patent No.:** **US D821,169 S**
(45) **Date of Patent:** **** Jun. 26, 2018**

(54) **RATCHET WRENCH**

(71) Applicant: **Shao-Hsien Hsu**, Taichung (TW)

(72) Inventor: **Shao-Hsien Hsu**, Taichung (TW)

(**) Term: **15 Years**

(21) Appl. No.: **29/608,721**

(22) Filed: **Jun. 26, 2017**

(51) **LOC (11) Cl.** **08-05**

(52) **U.S. Cl.**
USPC **D8/25**

(58) **Field of Classification Search**
USPC D8/17, 21-29; 81/58, 58.2, 119, 124.4,
81/125.1, 186, 121.1, 60, 63.1
CPC B25B 13/02; B25B 13/08; B25B 13/04;
B25B 13/065; B25B 13/46; B25B 13/463
See application file for complete search history.

(56) **References Cited**

U.S. PATENT DOCUMENTS

D659,493 S * 5/2012 Hsieh D8/25
D713,227 S * 9/2014 Chang D8/28

D724,912 S * 3/2015 Martone D8/22

* cited by examiner

Primary Examiner — Randall H Gholson

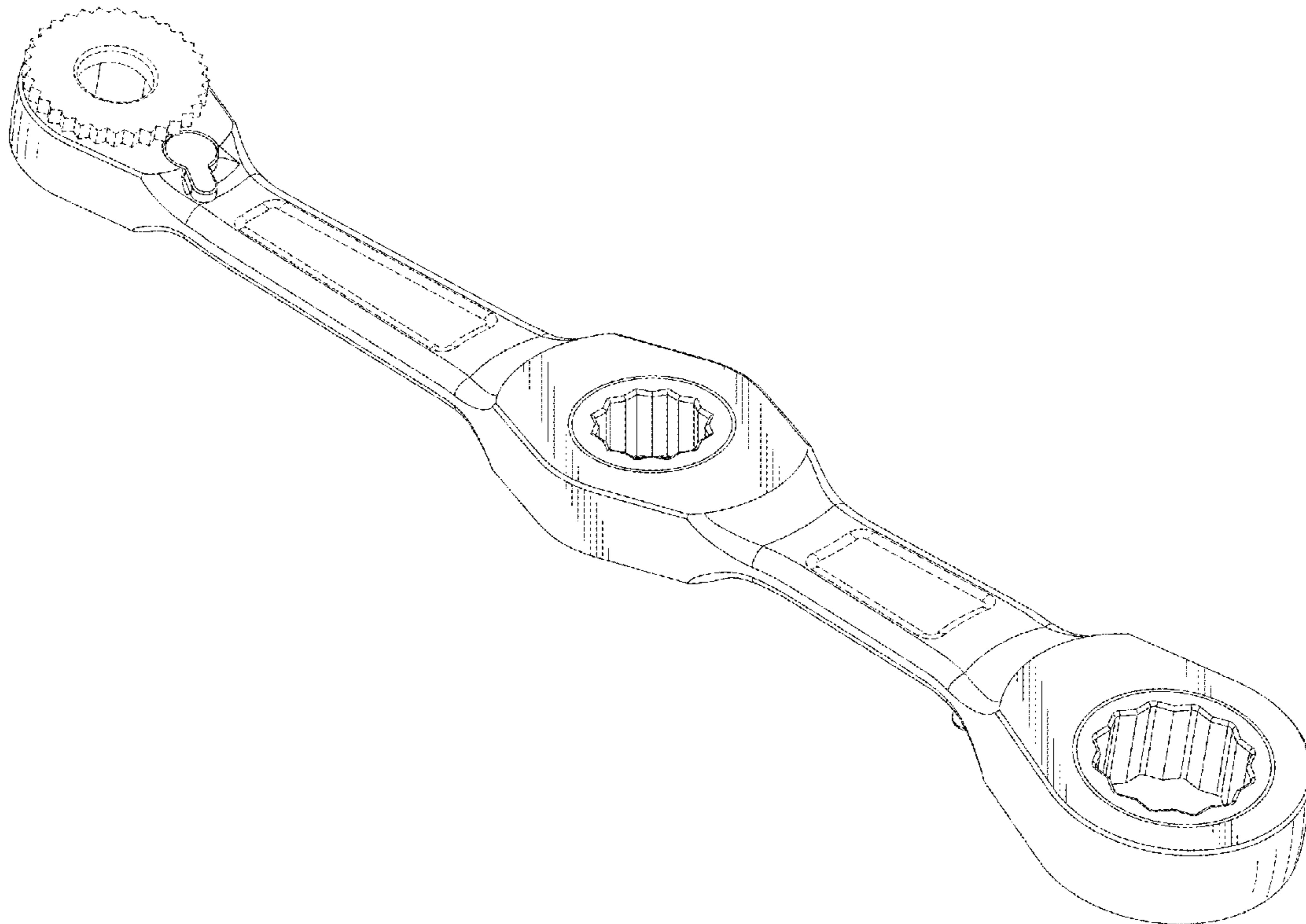
(57) **CLAIM**

The ornamental design for a ratchet wrench, as shown and described.

DESCRIPTION

FIG. 1 is a front-right-top perspective view of the ratchet wrench showing my new design;
FIG. 2 is a front elevational view thereof;
FIG. 3 is a rear front elevational view thereof;
FIG. 4 is a left side elevational view thereof;
FIG. 5 is a right side elevational view thereof;
FIG. 6 is a top plan view thereof; and,
FIG. 7 is a bottom plan view thereof.
The broken lines in the drawings illustrate portions of the ratchet wrench which form no part of the claimed design.

1 Claim, 6 Drawing Sheets



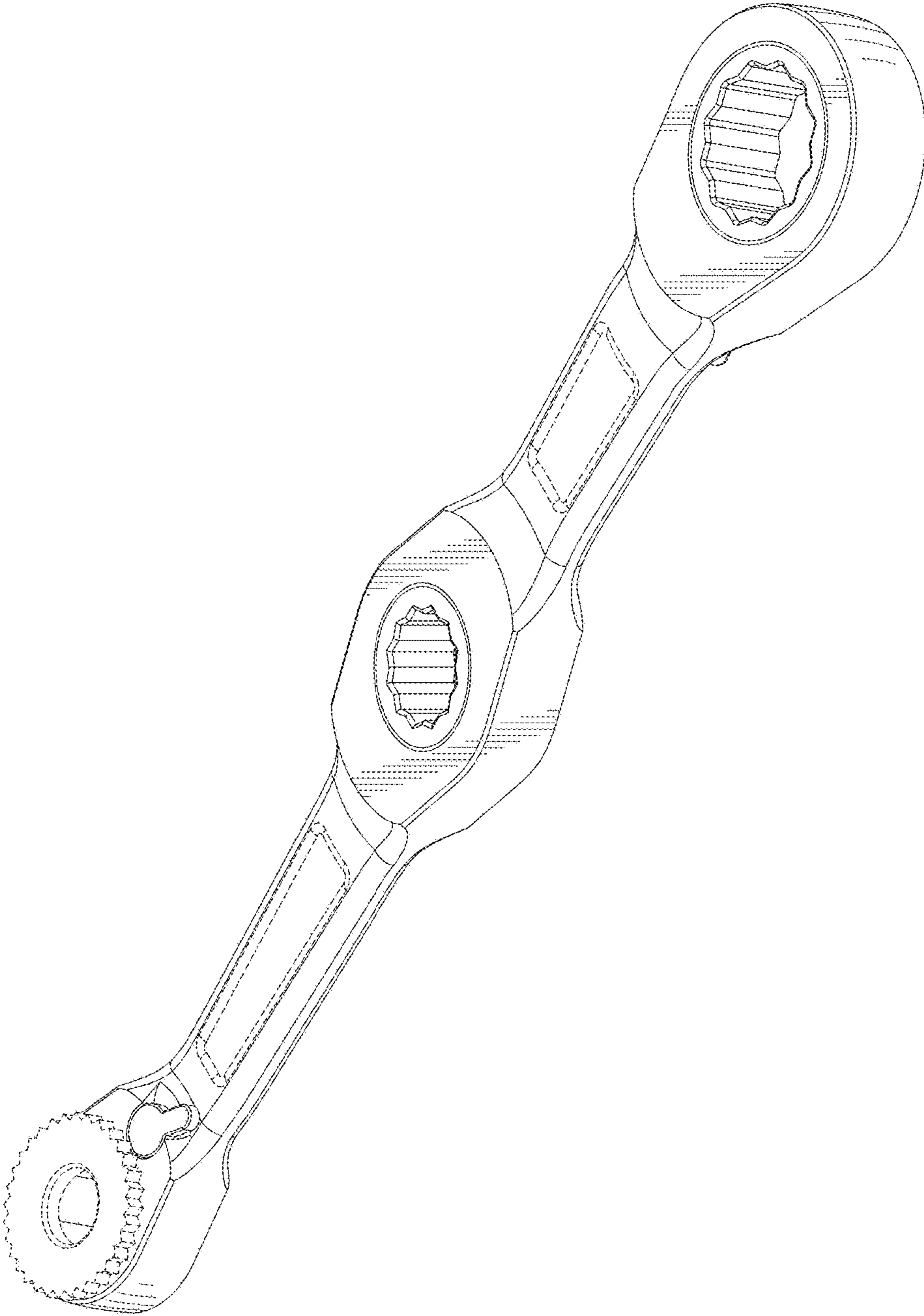


FIG.1

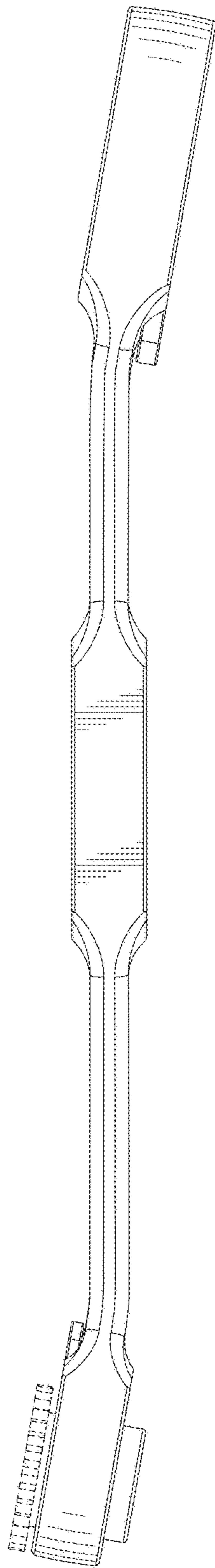


FIG.2

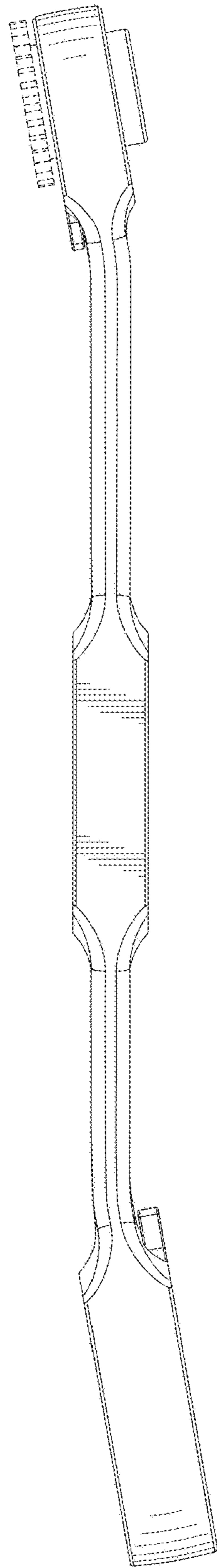


FIG.3

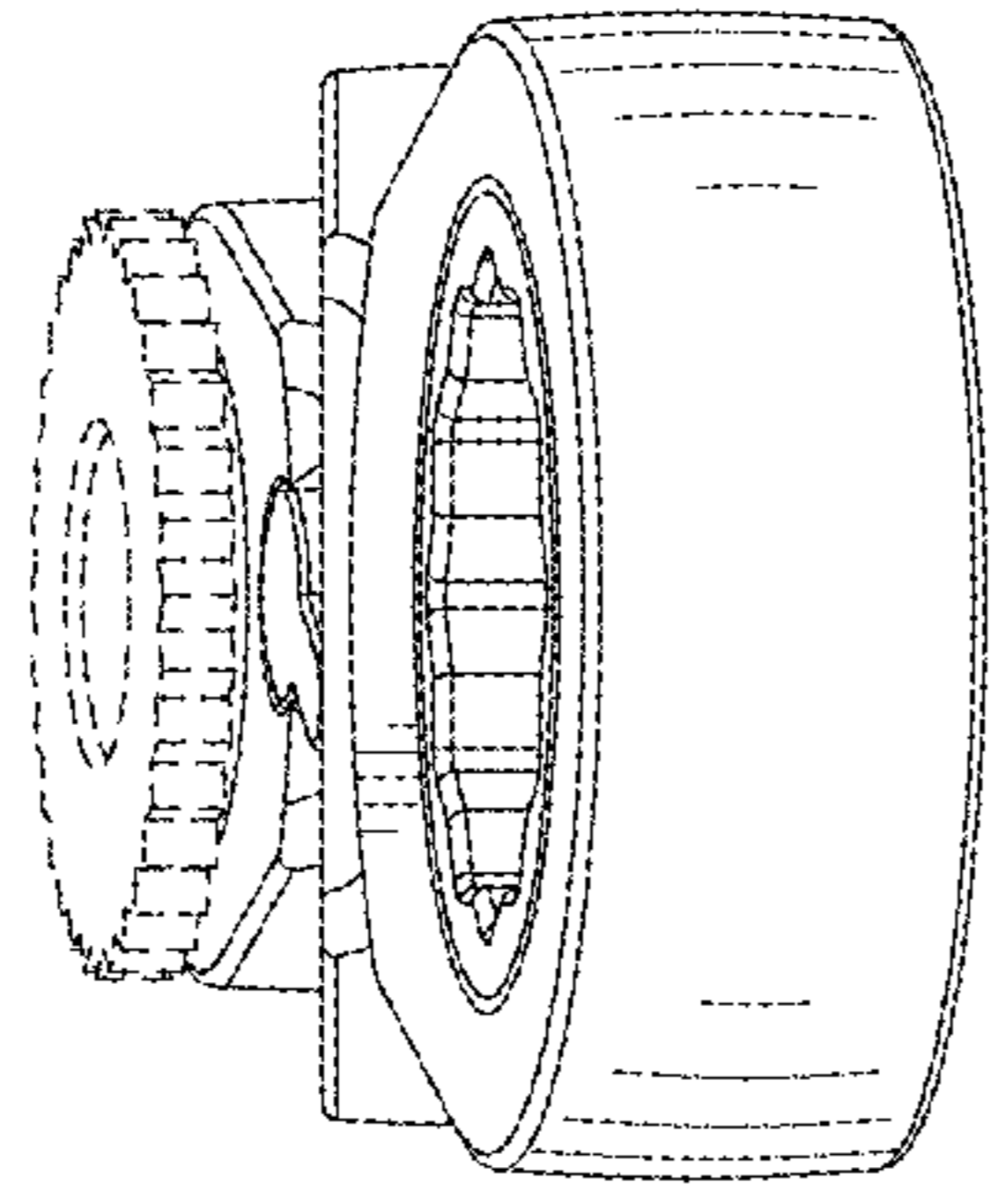


FIG.5

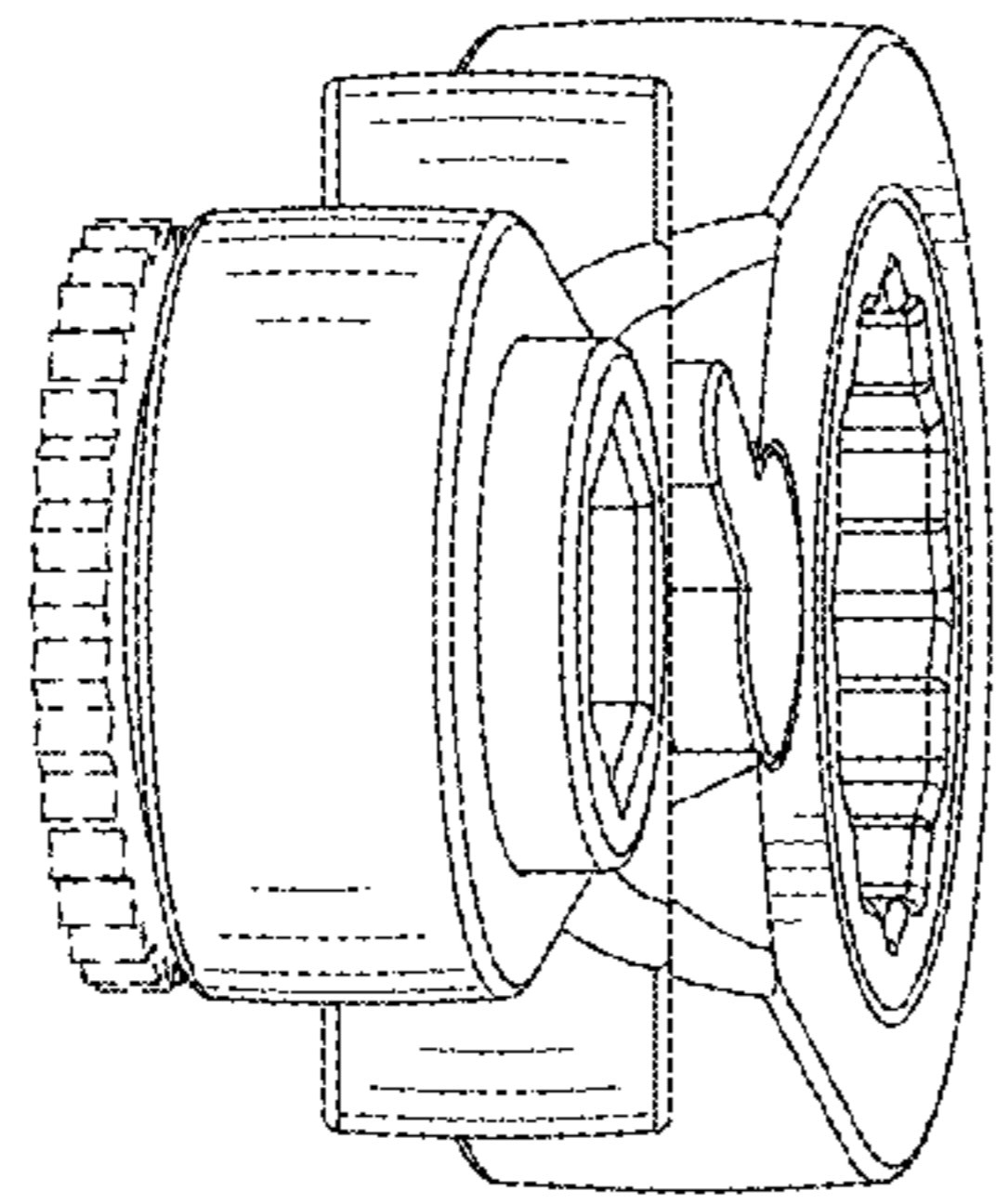


FIG.4

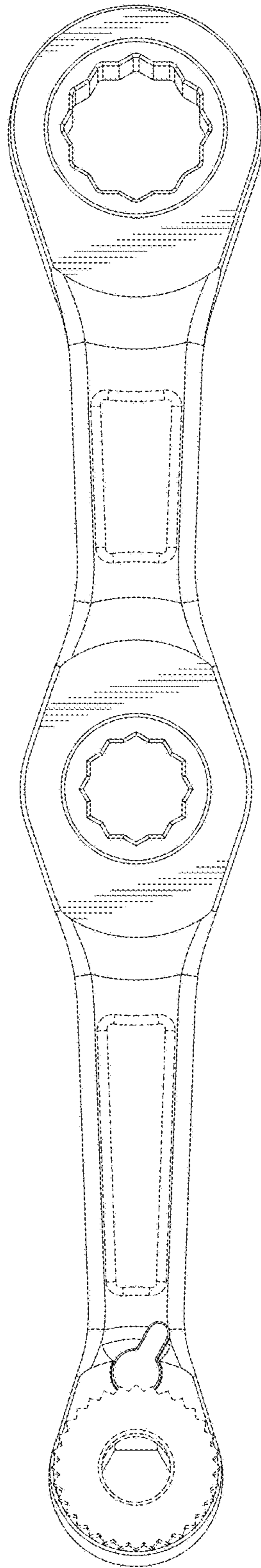


FIG.6

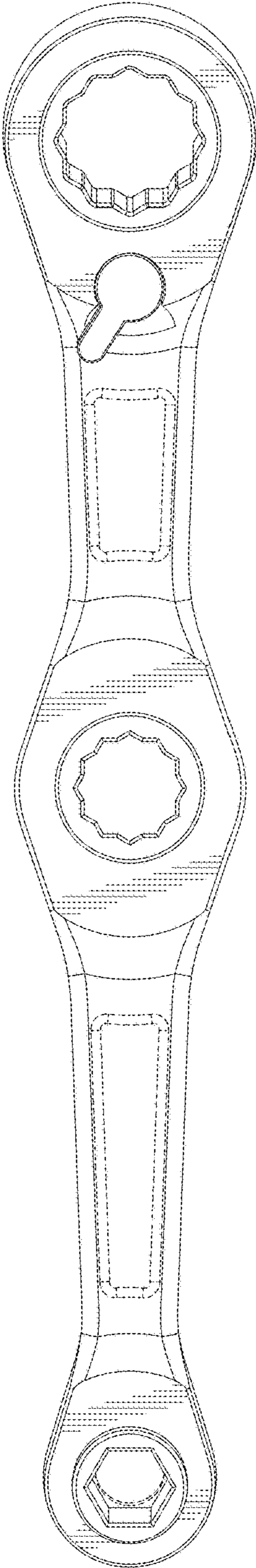


FIG.7