



US00D821167S

(12) **United States Design Patent**
James et al.

(10) **Patent No.:** **US D821,167 S**
(45) **Date of Patent:** **** Jun. 26, 2018**

- (54) **RATCHET HANDLE**
- (71) Applicant: **Sunex International, Inc.**, Travelers Rest, SC (US)
- (72) Inventors: **Chad James**, Greenville, SC (US); **Sage Youngblutt**, Greenville, SC (US); **Stephen Cain**, Greer, SC (US)
- (73) Assignee: **Sunex International, Inc.**, Travelers Rest, SC (US)
- (**) Term: **15 Years**
- (21) Appl. No.: **29/603,334**
- (22) Filed: **May 9, 2017**
- (51) **LOC (11) Cl.** **08-05**
- (52) **U.S. Cl.**
USPC **D8/25**
- (58) **Field of Classification Search**
USPC D8/17, 21-29; 81/58, 58.2, 119, 124.2, 81/124.4, 125.1, 186
CPC B25B 13/02; B25B 13/08; B25B 13/04; B25B 13/065
See application file for complete search history.

6,457,387 B1 * 10/2002 Hu B25B 13/463 81/61
 D493,341 S * 7/2004 Chen D8/25
 6,955,104 B2 * 10/2005 Hu B25B 13/463 81/60

* cited by examiner

Primary Examiner — Randall H Gholson
(74) *Attorney, Agent, or Firm* — J. Bennett Mullinax, LLC

(57) **CLAIM**

The ornamental design for a ratchet handle, as shown and described.

DESCRIPTION

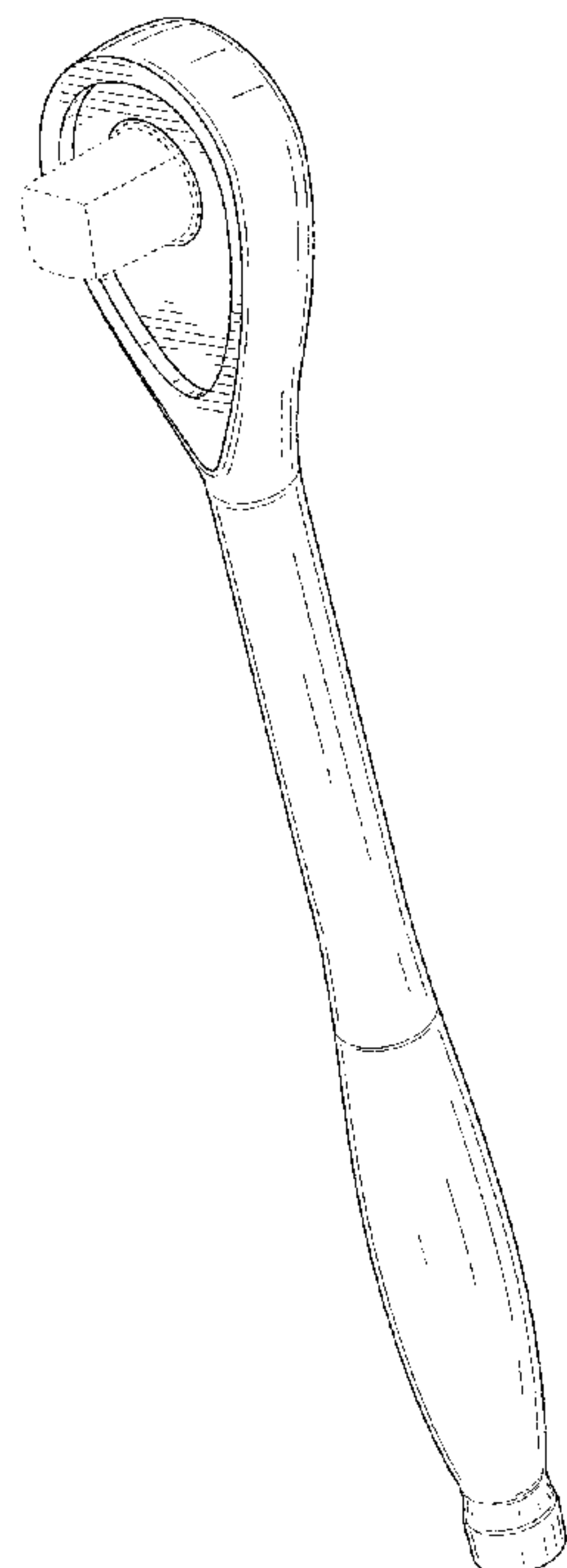
FIG. 1 is a top perspective view of the ratchet handle as shown in FIG. 1;
 FIG. 2 is a top view of the ratchet handle as shown in FIG. 1;
 FIG. 3 is a bottom view of the ratchet handle as shown in FIG. 1;
 FIG. 4 is a right side view of the ratchet handle as shown in FIG. 1;
 FIG. 5 is a left side view of the ratchet handle as shown in FIG. 1;
 FIG. 6 is a front view of the ratchet handle as shown in FIG. 1; and,
 FIG. 7 is a rear view of the ratchet handle as shown in FIG. 1.
 The broken lines shown in FIGS. 1-7 are for illustrative purposes only and form no part of the claimed design.

1 Claim, 4 Drawing Sheets

(56) **References Cited**

U.S. PATENT DOCUMENTS

- 4,762,033 A * 8/1988 Chow B25B 13/463 81/177.85
- 5,957,009 A * 9/1999 McCann B25B 13/463 192/43
- 6,431,031 B1 * 8/2002 Hu B25B 13/463 81/62



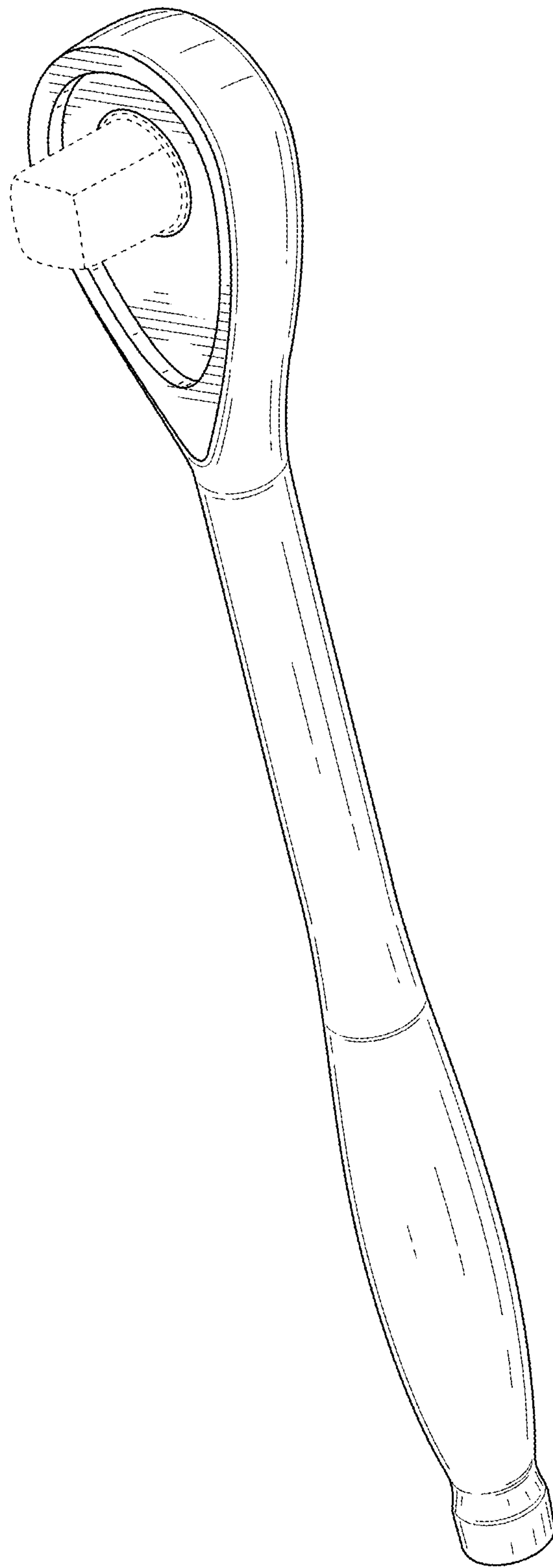


FIG. 1

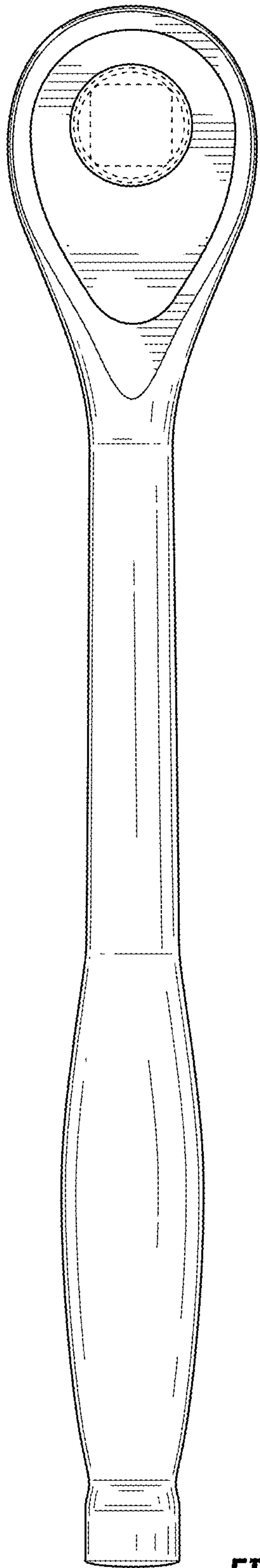


FIG. 2

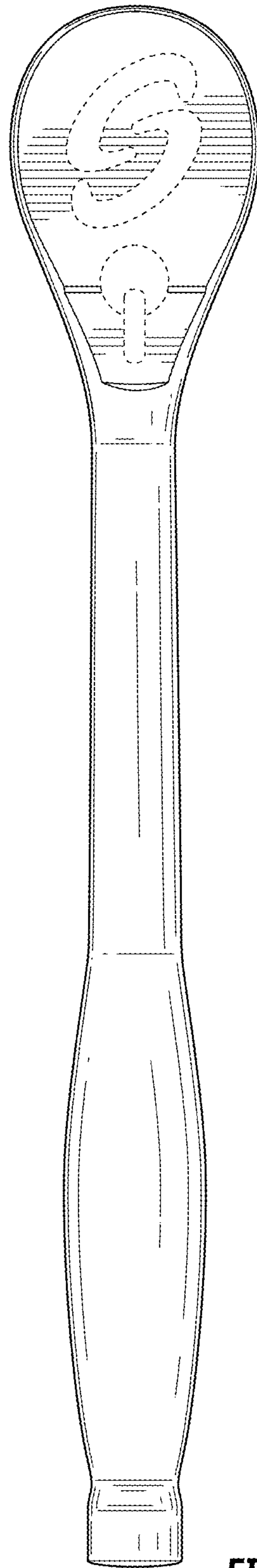


FIG. 3

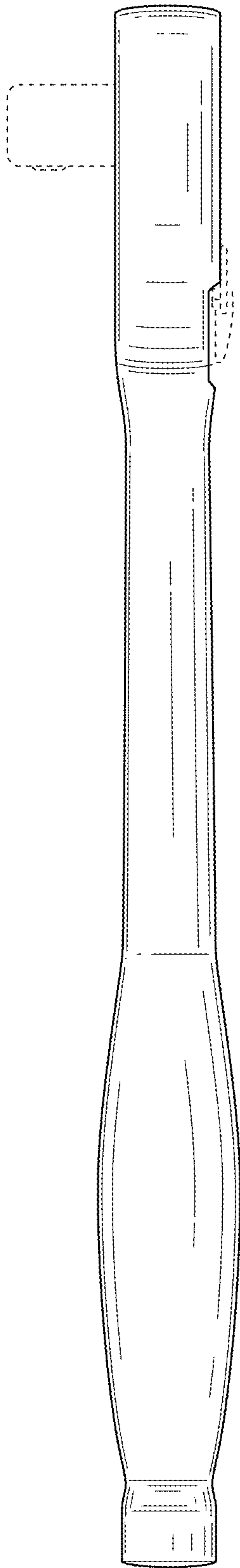


FIG. 4

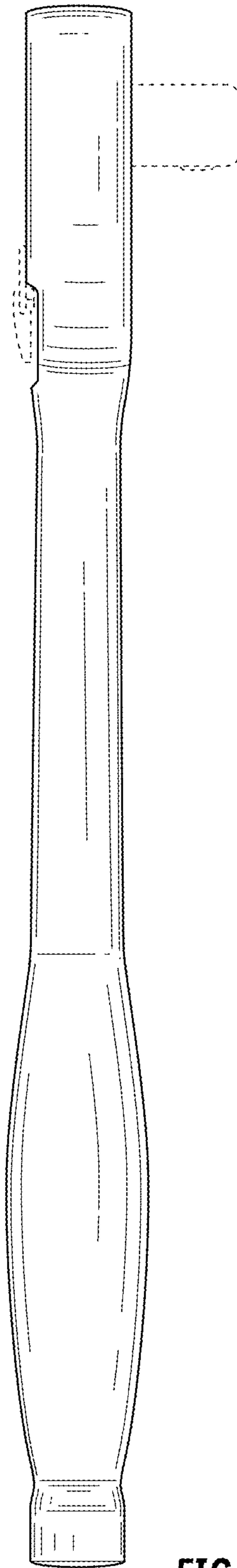


FIG. 5

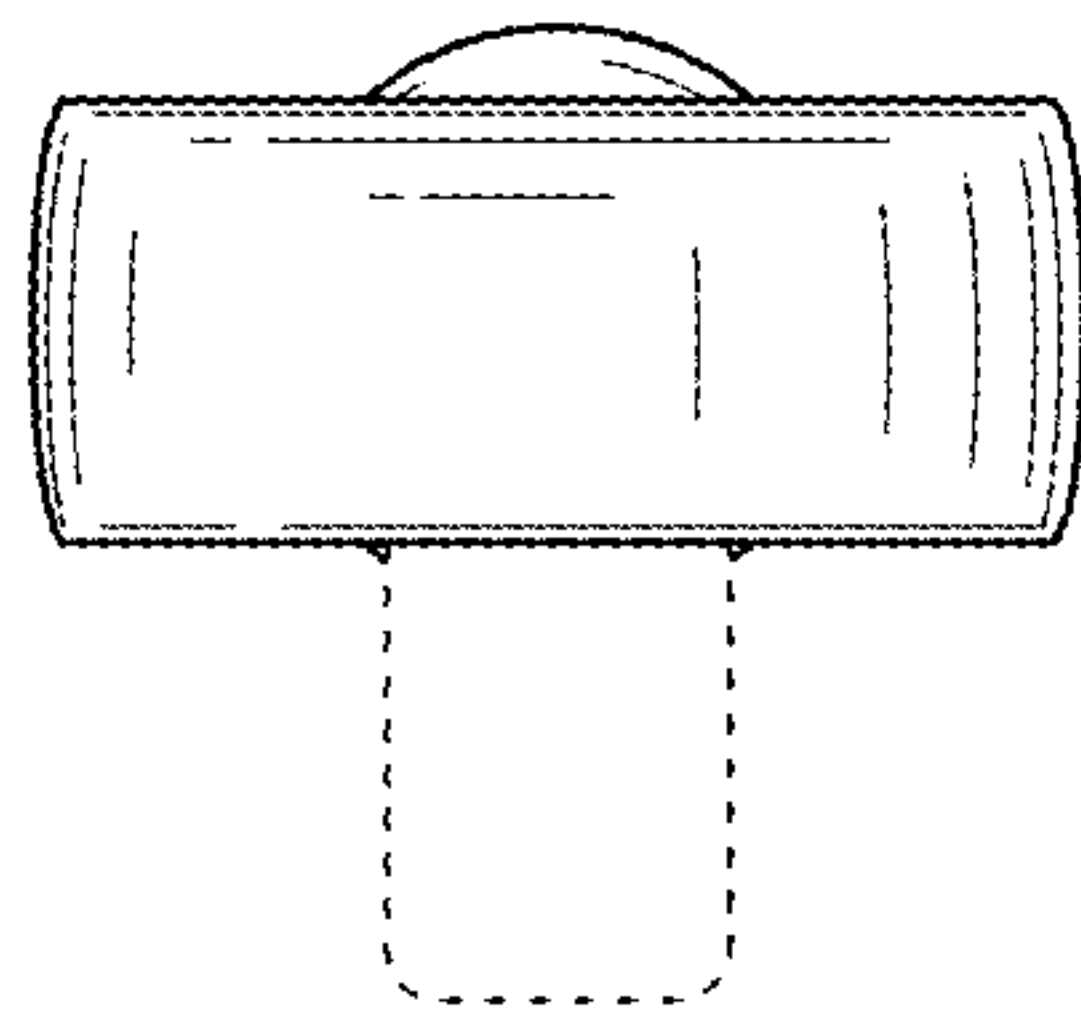


FIG. 6

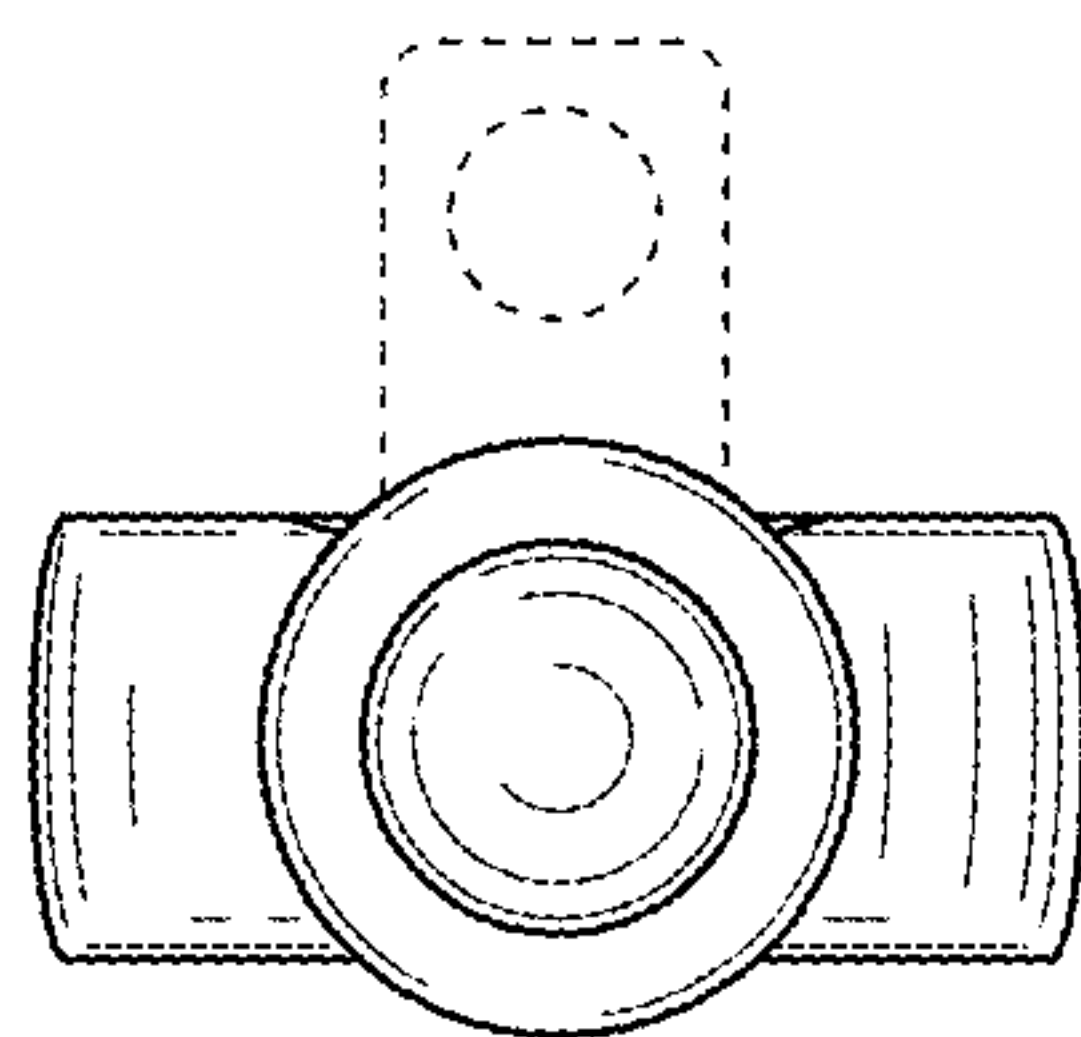


FIG. 7