



US00D821166S

(12) **United States Design Patent**
Chu

(10) **Patent No.:** **US D821,166 S**
(45) **Date of Patent:** **** *Jun. 26, 2018**

- (54) **FRYING PAN HOLDER**
- (71) Applicant: **NA SEUNG HITECH CO., LTD.**,
Gyeonggi-do (KR)
- (72) Inventor: **Jonathan Chu**, Gyeonggi-do (KR)
- (73) Assignee: **NA SEUNG HITECH CO., LTD.**,
Gyeonggi-do (KR)

D723,344 S *	3/2015	Goodman	D7/704
D729,021 S *	5/2015	Goodman	D7/704
D747,155 S *	1/2016	Goodman	D7/601
D747,630 S *	1/2016	Goodman	D7/601
D772,017 S *	11/2016	Tsai	D7/409
D774,356 S *	12/2016	Maiorana	D7/409
D778,642 S *	2/2017	Tsai	D6/678.4

(Continued)

- (*) Notice: This patent is subject to a terminal disclaimer.
- (**) Term: **15 Years**

- (21) Appl. No.: **29/571,007**
- (22) Filed: **Jul. 13, 2016**

(30) **Foreign Application Priority Data**

Jan. 26, 2016 (KR) 30-2016-0003903

- (51) **LOC (11) Cl.** **07-06**
- (52) **U.S. Cl.**
USPC **D7/704**

- (58) **Field of Classification Search**
USPC D3/304, 306, 307, 315; D6/512, 672,
D6/680.2, 681; D7/601, 602, 608, 701,
D7/704, 708; D9/434, 499; D32/55, 58,
D32/65
CPC A47J 47/16; A47B 57/36; A47B 57/545;
A47F 5/13
See application file for complete search history.

(56) **References Cited**

U.S. PATENT DOCUMENTS

D295,125 S *	4/1988	Chap	D7/601
D467,127 S *	12/2002	Wright	D1/105
D494,422 S *	8/2004	Compagnucci	D7/601
6,997,329 B2 *	2/2006	Ohanian	A47J 47/16 211/181.1

OTHER PUBLICATIONS

Alibaba. NA Seung Hitech Co.,Ltd Livalum Pan organizer. 2017 [earliest online date], [site visited Aug. 21, 2017]. Available from Internet, URL: https://www.alibaba.com/product-detail/-NA-SEUNG-HITECH-CO-LTD_50034449198.html.*

(Continued)

Primary Examiner — Robert M. Spear
Assistant Examiner — Darcey E Heflin
(74) *Attorney, Agent, or Firm* — McCoy Russell LLP

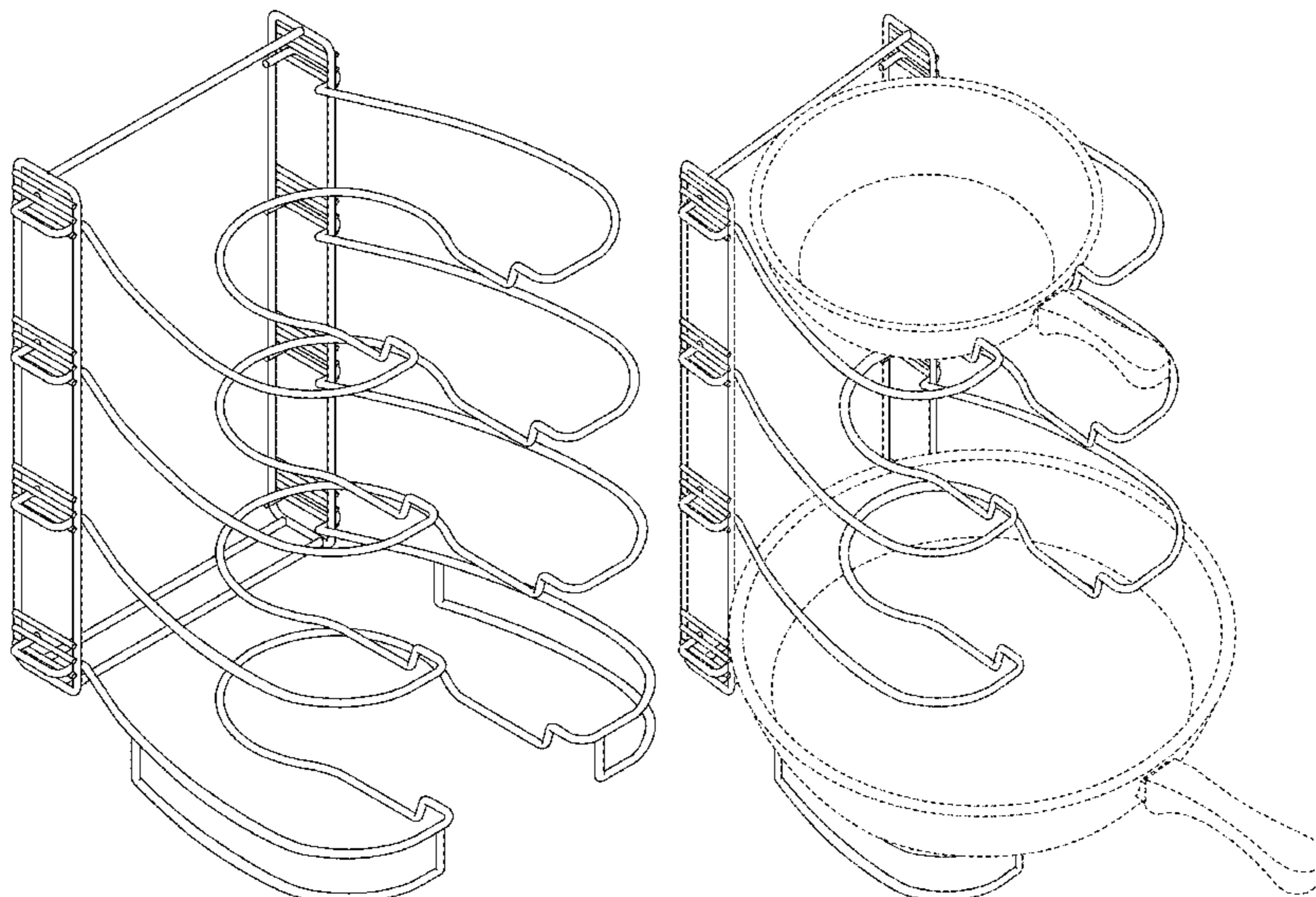
(57) **CLAIM**

The ornamental design for a frying pan holder, as shown and described.

DESCRIPTION

FIG. 1 is a front perspective view of a design for a frying pan holder according to the present disclosure.
FIG. 2 is a front view of the frying pan holder of FIG. 1.
FIG. 3 is a rear view of the frying pan holder of FIG. 1.
FIG. 4 is a left side view of the frying pan holder of FIG. 1.
FIG. 5 is a right side view of the frying pan holder of FIG. 1.
FIG. 6 is a top plan view of the frying pan holder of FIG. 1.
FIG. 7 is a bottom plan view of the frying pan holder of FIG. 1; and,
FIG. 8 is a reference drawing of the frying pan holder of FIG. 1 in use.
In FIG. 8, the broken lines depict environment and form no part of the claim.

1 Claim, 8 Drawing Sheets



(56)

References Cited

U.S. PATENT DOCUMENTS

2003/0213759 A1* 11/2003 Compagnucci A47J 47/16
211/41.11
2008/0314846 A1* 12/2008 Klein A47J 47/16
211/41.11
2016/0249783 A1* 9/2016 Oh A47J 47/16
211/41.4
2017/0215584 A1* 8/2017 Henry A47B 81/04
211/41.2
2017/0224176 A1* 8/2017 Chu A47J 47/16

OTHER PUBLICATIONS

Terapeak. Fry Pan Rack Stand Sorter Vertical Horizontal Holder Cabinet Counter Organizer. 2017 [earliest online date], [site visited Aug. 21, 2017]. Available from Internet, URL:<https://www.terapeak.com/worth/fry-pan-rack-stand-sorter-vertical-horizontal-holder-cabinet-counter-organizer/252733005611/>.*

* cited by examiner

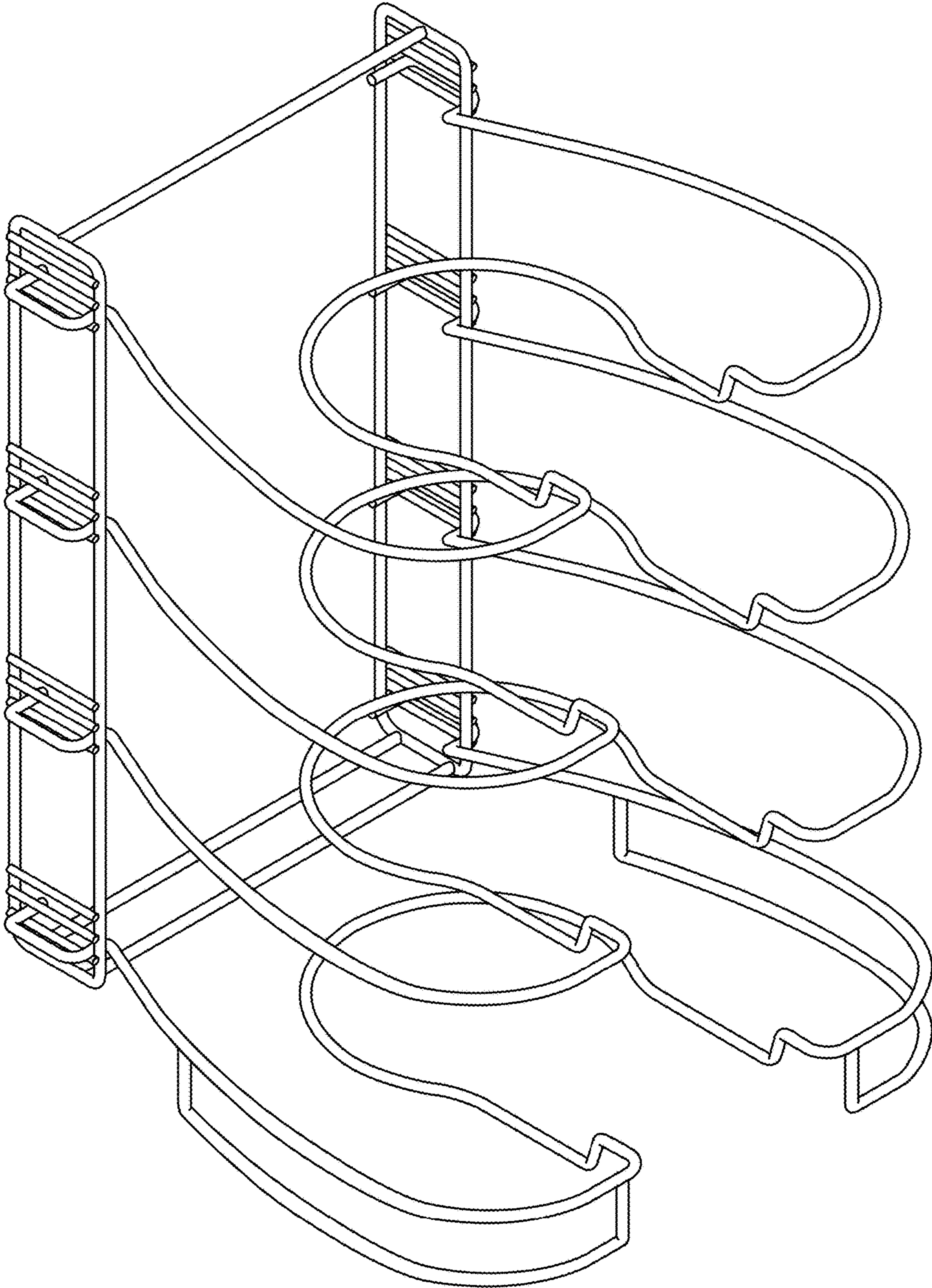


FIG. 1

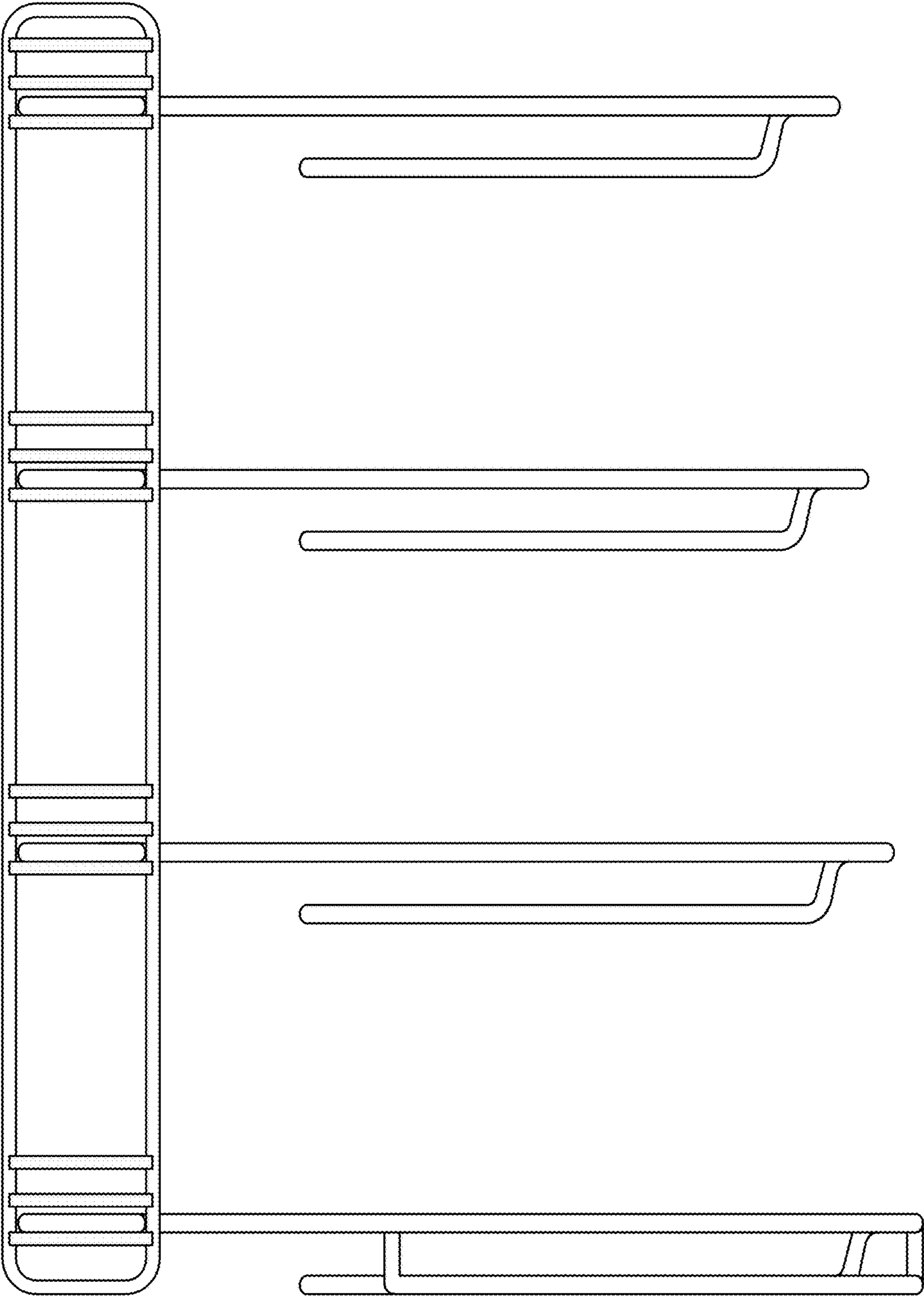


FIG. 2

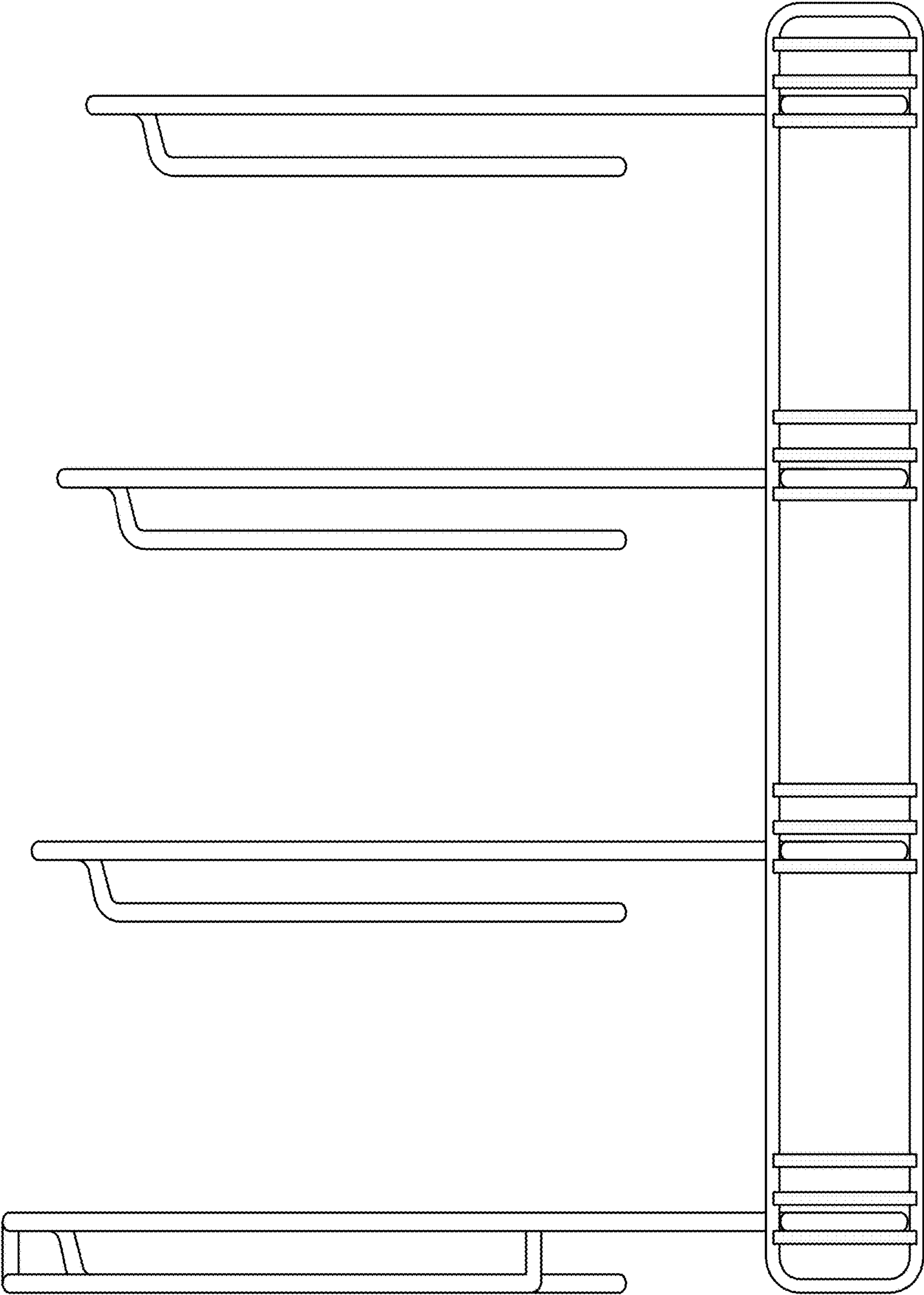


FIG. 3

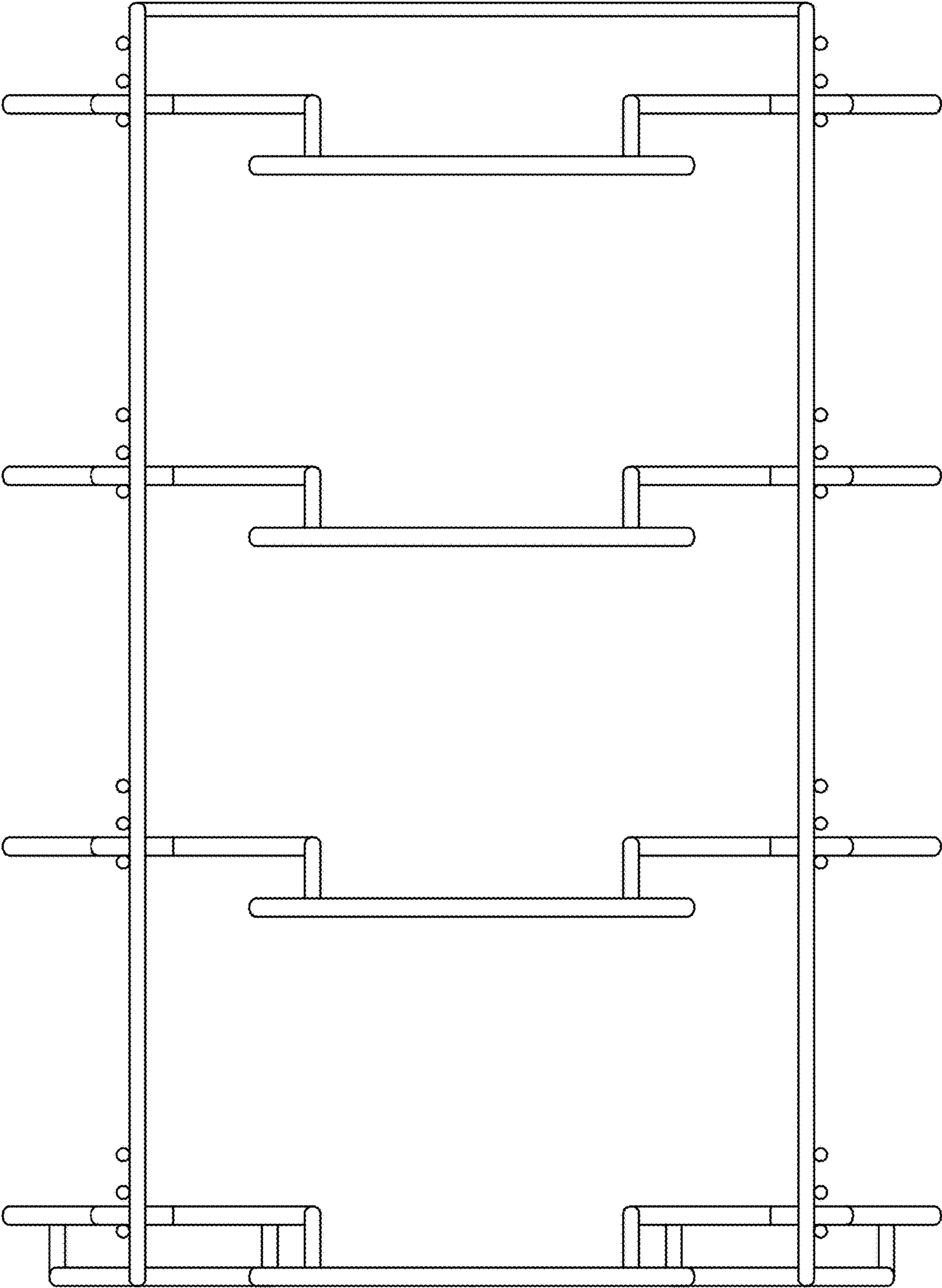


FIG. 4

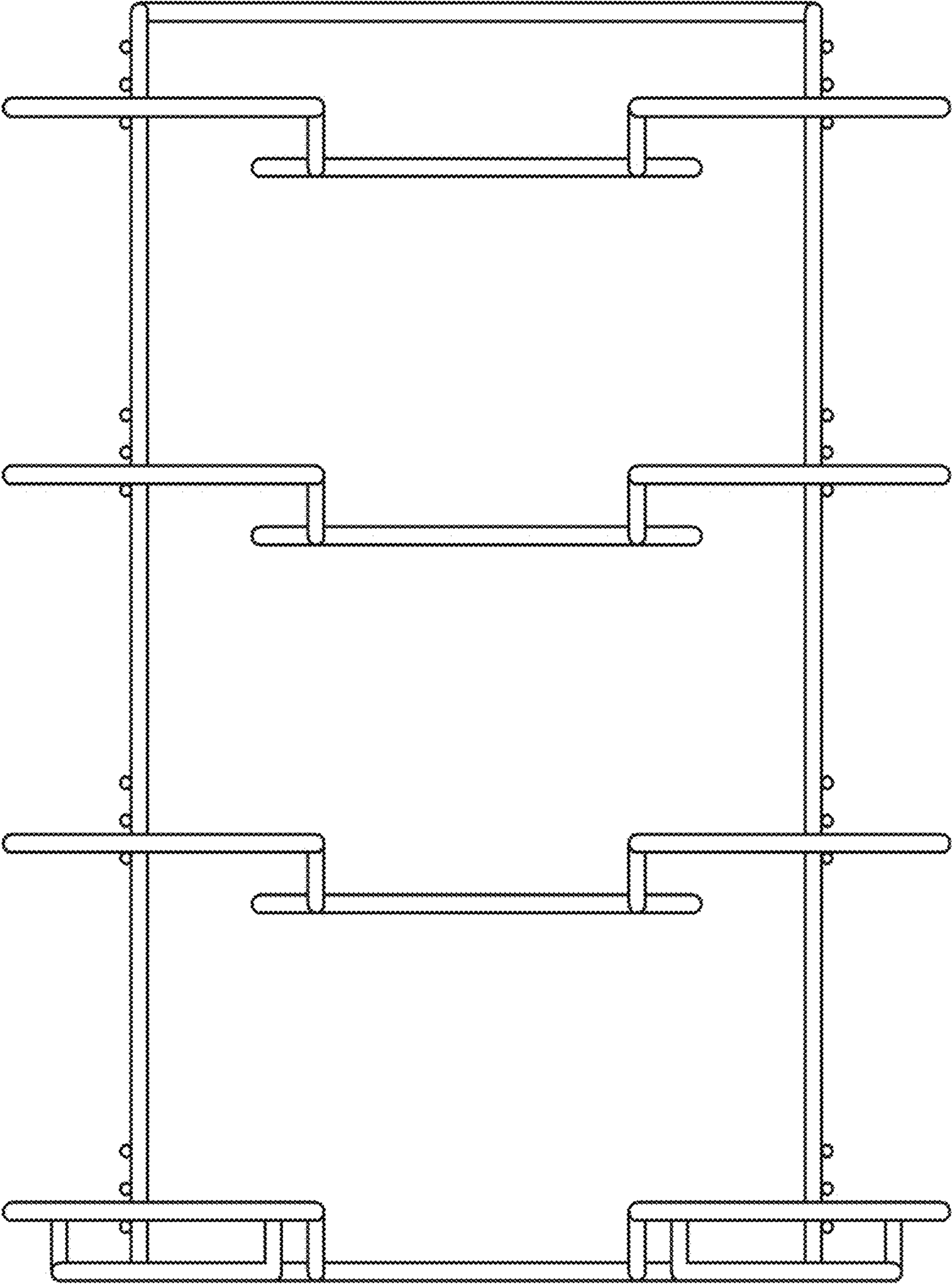


FIG. 5

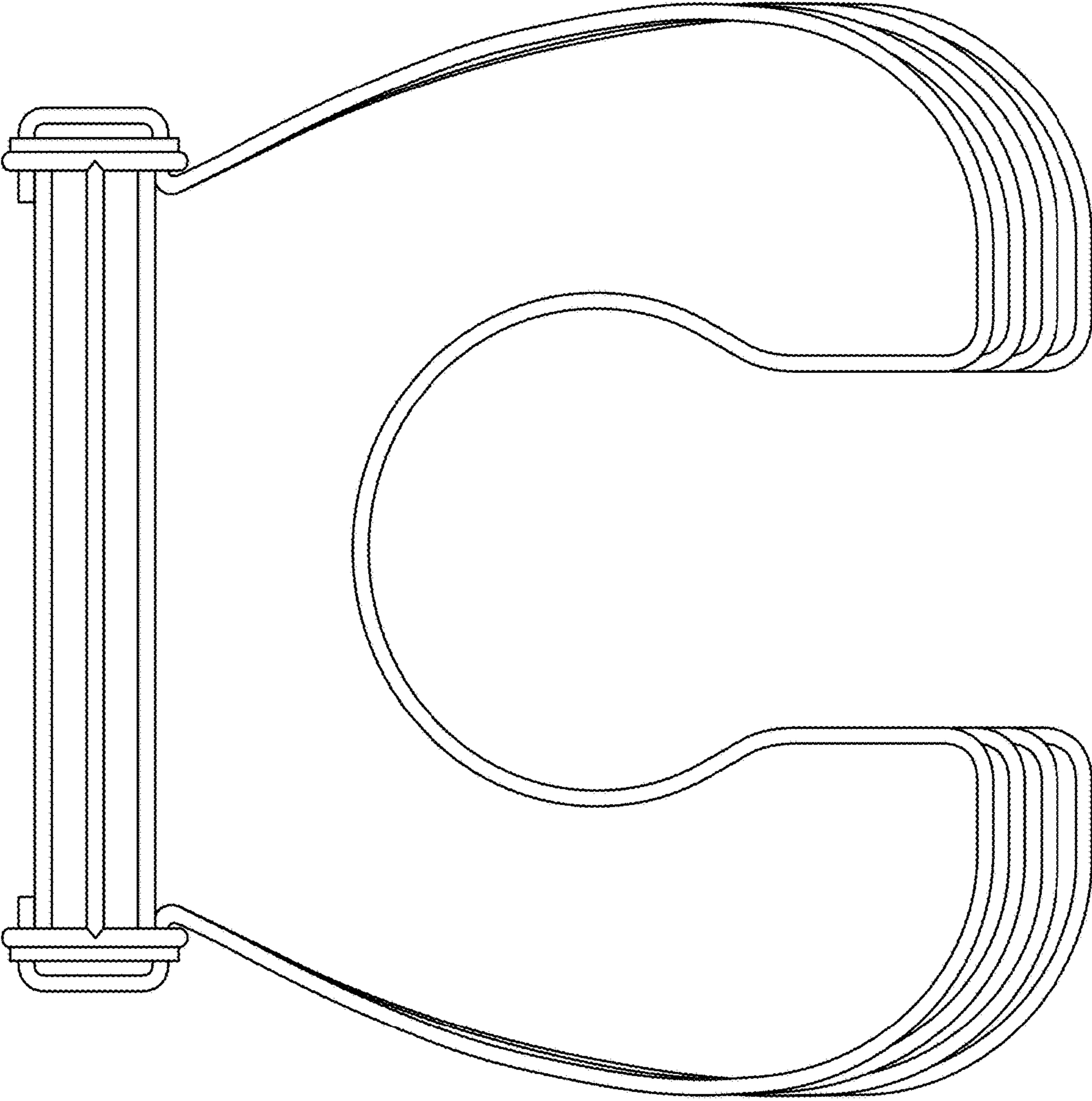


FIG. 6

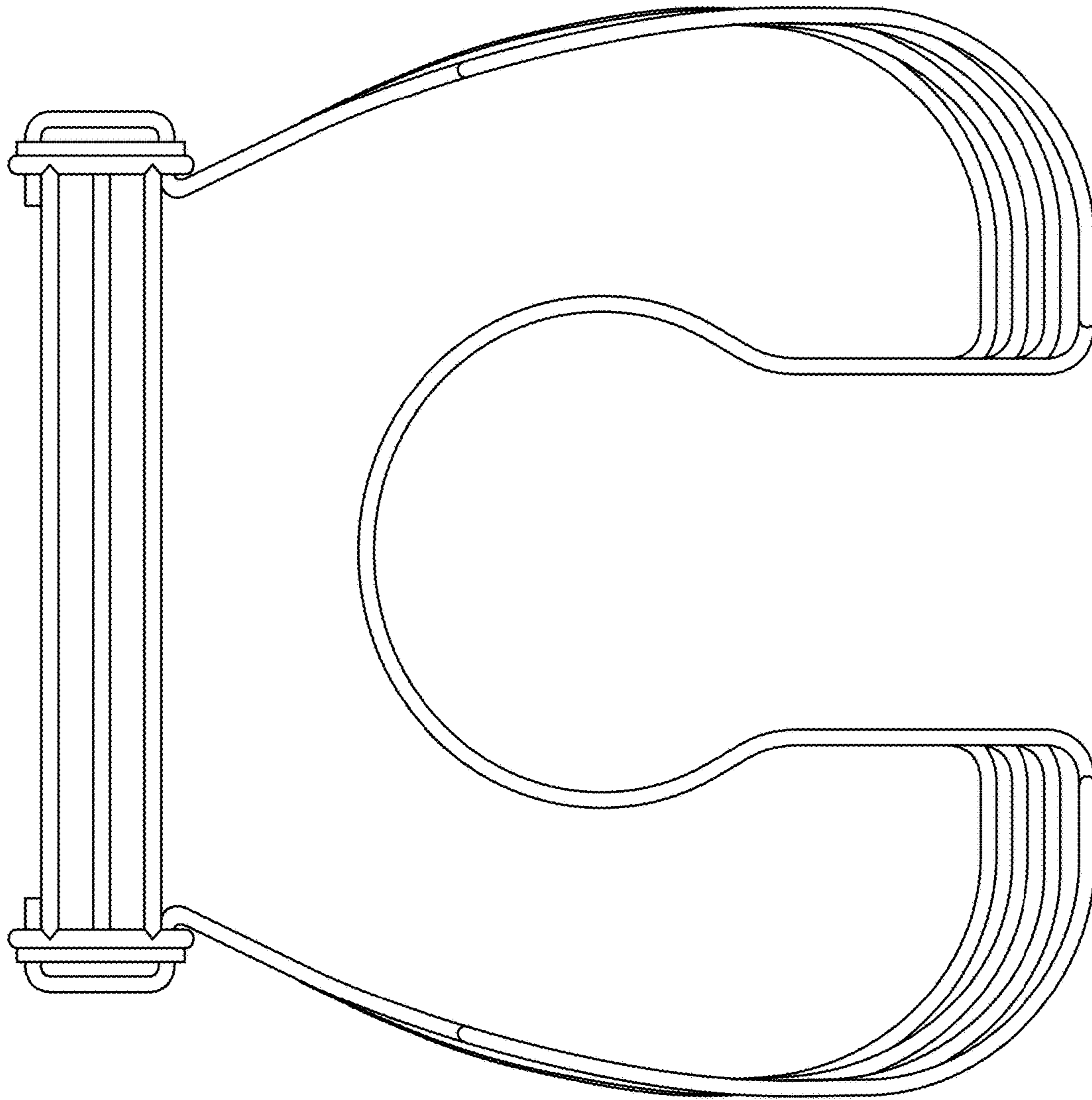


FIG. 7

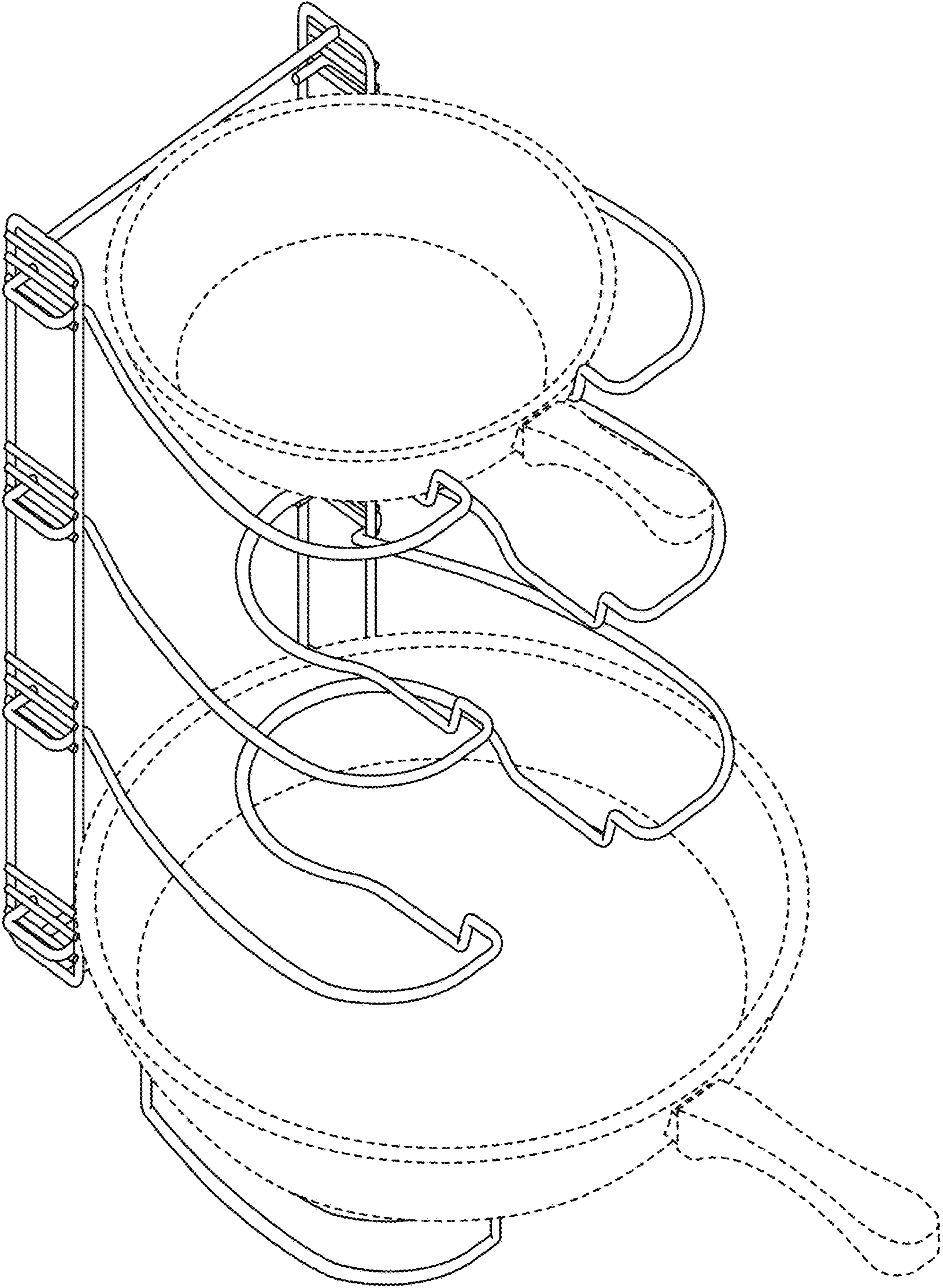


FIG. 8