



US00D821163S

(12) **United States Design Patent**  
**Nagrani**

(10) **Patent No.:** **US D821,163 S**  
(45) **Date of Patent:** **\*\* Jun. 26, 2018**

(54) **MULTI-COMPARTMENT SPICE GRINDER**  
(71) Applicant: **Rajendra Sobha Nagrani**, Hong Kong (HK)  
(72) Inventor: **Rajendra Sobha Nagrani**, Hong Kong (HK)  
(73) Assignee: **Dreambiz Ltd.**, Hong Kong (HK)  
(\*\*) Term: **15 Years**

6,446,891 B1 \* 9/2002 Leung ..... A47J 43/046  
241/169.1  
6,663,031 B2 \* 12/2003 Henderson ..... A47J 42/50  
241/169.1  
D506,361 S \* 6/2005 Lee ..... D7/679  
D530,993 S \* 10/2006 Kolflat ..... D7/679  
D548,023 S \* 8/2007 Seidenfaden ..... D7/679  
D581,750 S \* 12/2008 de Groote ..... D7/597  
D618,519 S \* 6/2010 Bodum ..... D7/679  
D683,197 S \* 5/2013 Fornage ..... D7/679  
2013/0221144 A1 \* 8/2013 Zhang ..... A47J 42/08  
241/169.1

(21) Appl. No.: **29/603,117**  
(22) Filed: **May 6, 2017**  
(51) **LOC (11) Cl.** ..... **07-04**  
(52) **U.S. Cl.**  
USPC ..... **D7/679**  
(58) **Field of Classification Search**  
USPC ..... D7/679, 590-597, 372, 373  
CPC ... A21C 1/04; A47J 42/34; A47J 42/00; A47J  
42/04; A47J 42/14; A47J 42/18; A47J  
42/24; A47J 42/42; A47J 42/46; A47J  
42/06; A47J 42/08; A47J 42/40; A47J  
43/04; A47J 43/044; A47J 43/0722; A47J  
43/06; A47J 43/25; A47J 43/255; A24C  
5/40; B02C 18/08; B02C 18/24; B02C  
18/16

\* cited by examiner

*Primary Examiner* — Terry A Wallace  
(74) *Attorney, Agent, or Firm* — Loza & Loza, LLP;  
Heidi Eisenhut

See application file for complete search history.

(56) **References Cited**  
U.S. PATENT DOCUMENTS

D352,640 S \* 11/1994 Kibbe ..... D7/679  
D455,324 S \* 4/2002 Wright ..... D7/679

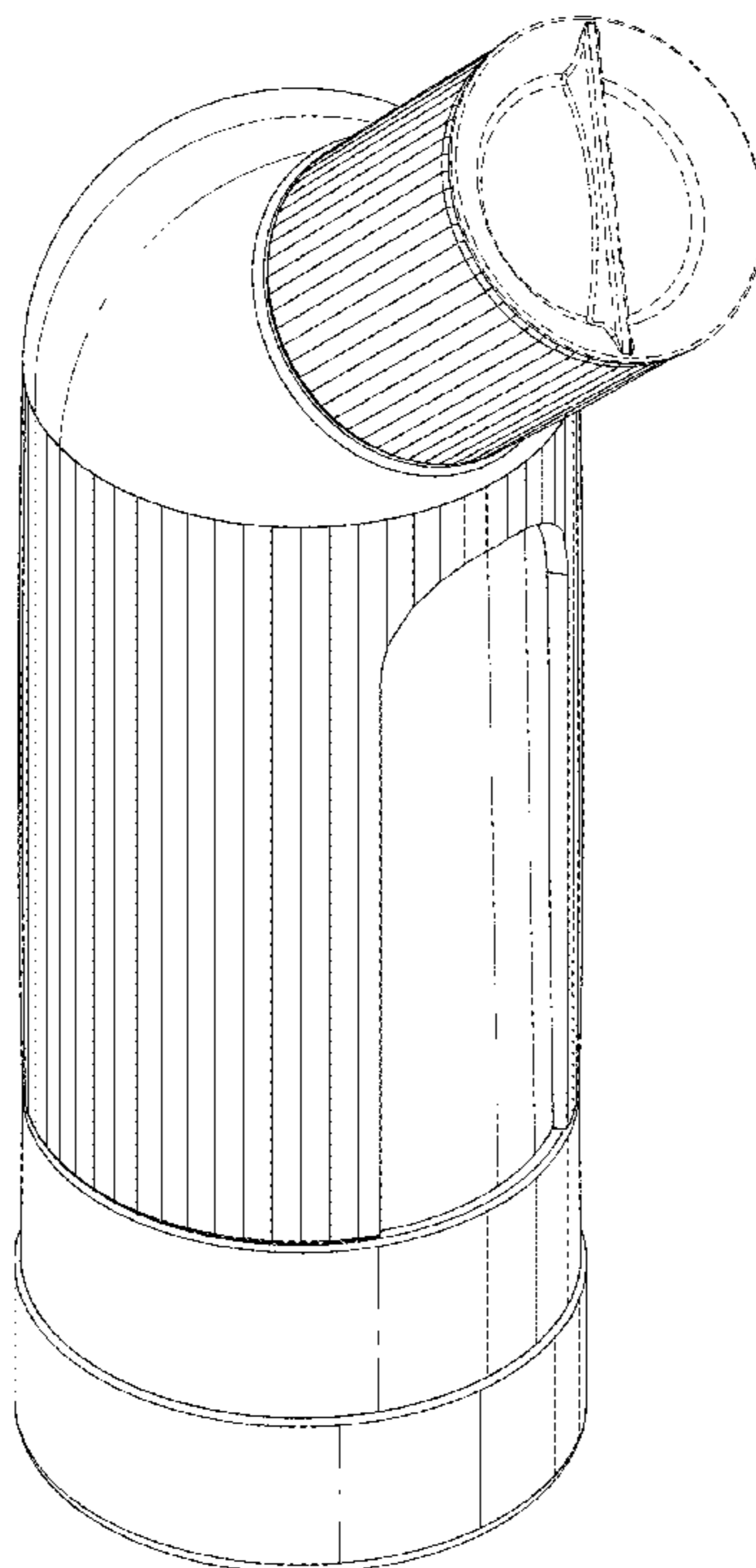
(57) **CLAIM**

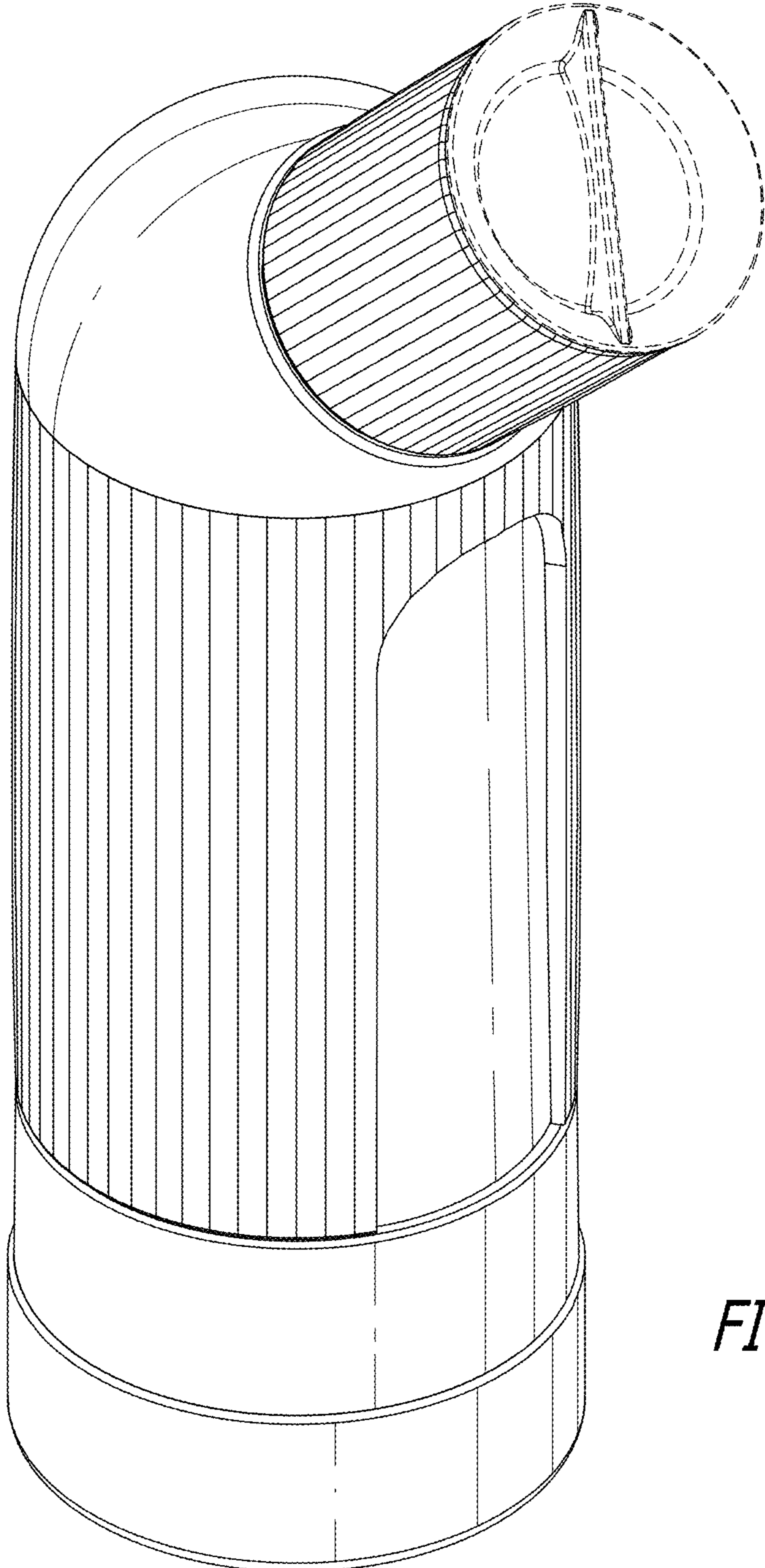
The ornamental design for a multi-compartment spice grinder, as shown and described.

**DESCRIPTION**

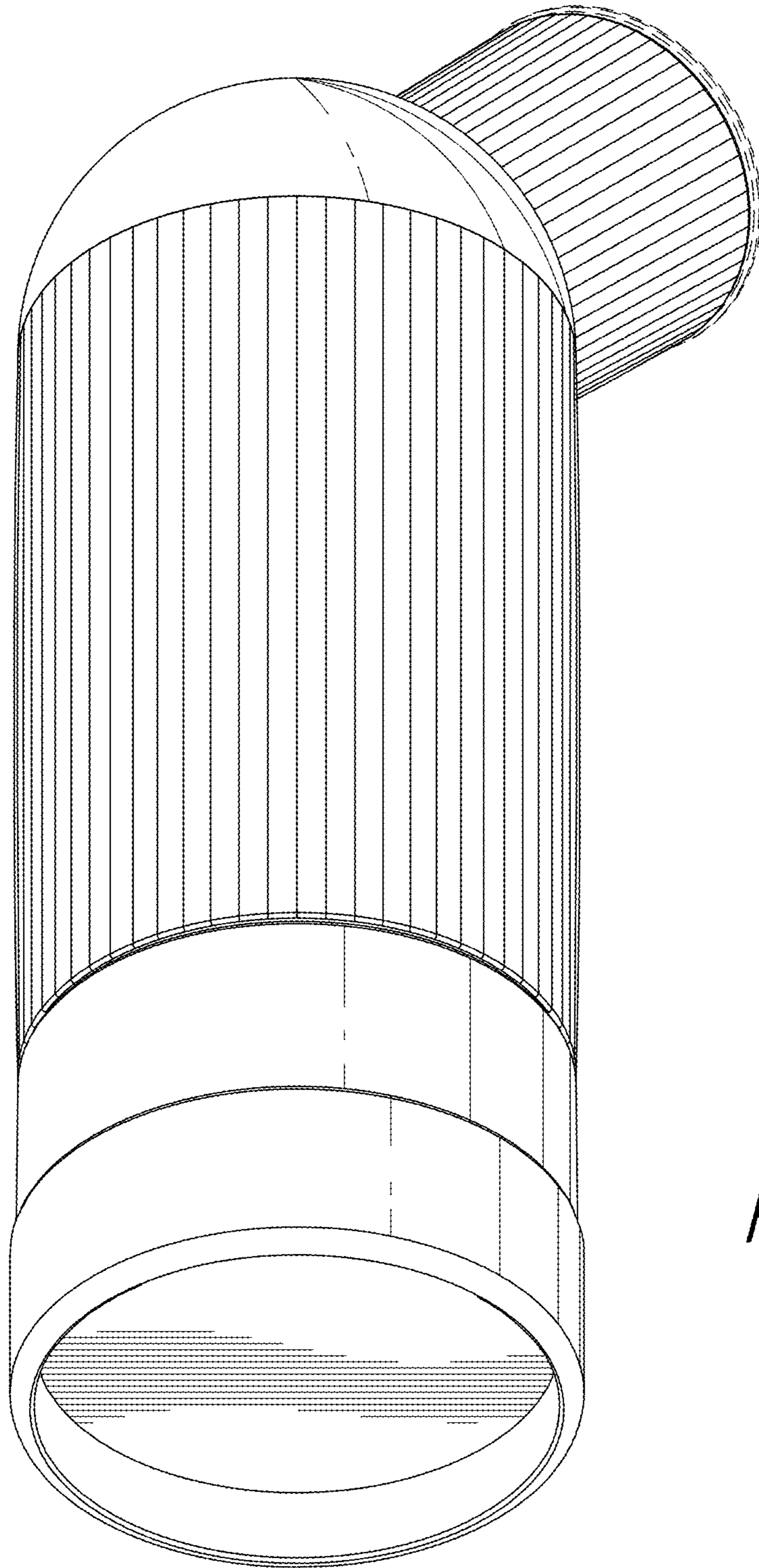
FIG. 1 is a top, front, right side perspective view of a multi-compartment spice grinder showing my new design. FIG. 2 is a bottom, right side perspective view thereof. FIG. 3 is a front view thereof. FIG. 4 is a rear view thereof. FIG. 5 is a right side view thereof. FIG. 6 is a left side view thereof. FIG. 7 is a top plan view thereof; and, FIG. 8 is a bottom plan view thereof. The broken lines form no part of the claimed design.

**1 Claim, 7 Drawing Sheets**

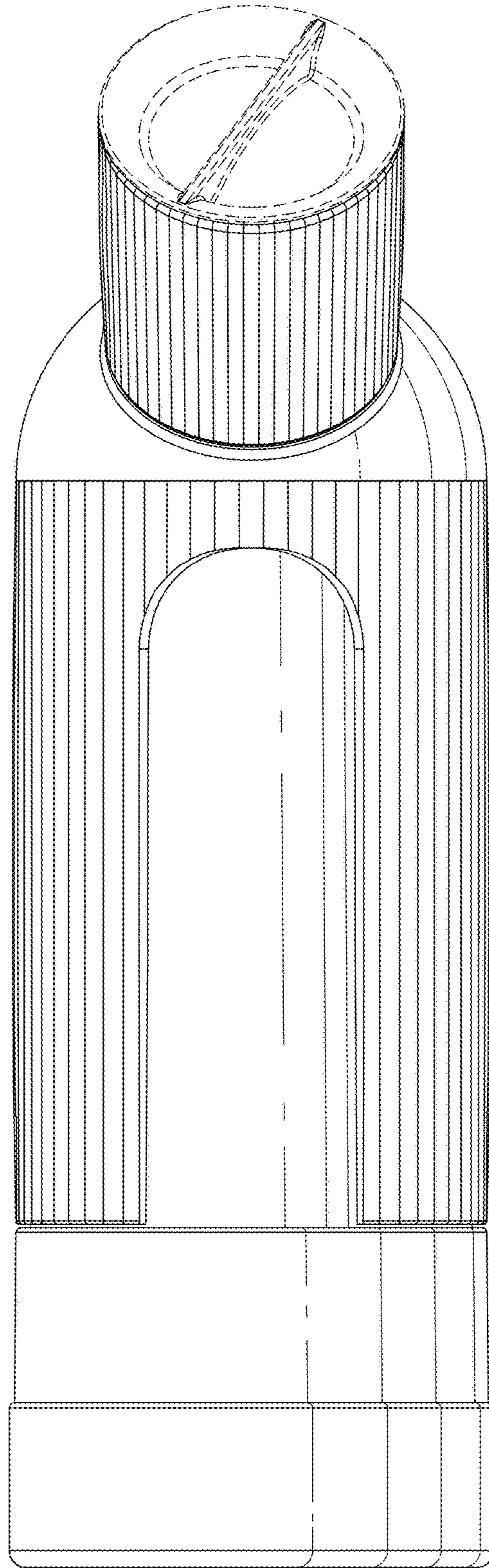




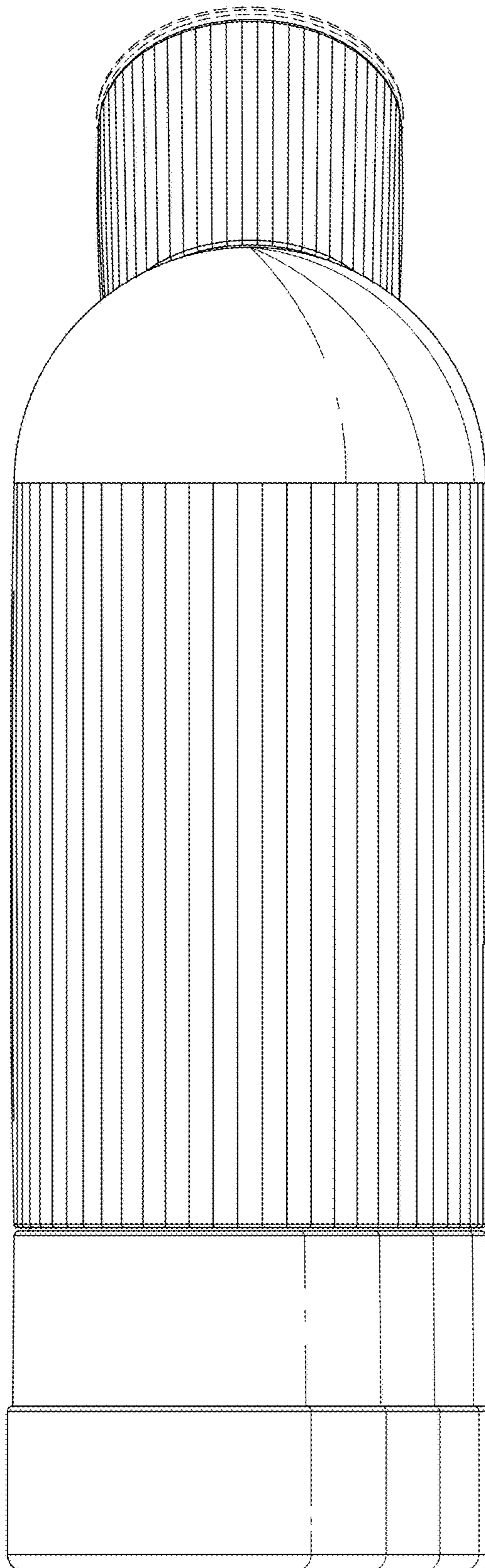
*FIG. 1*



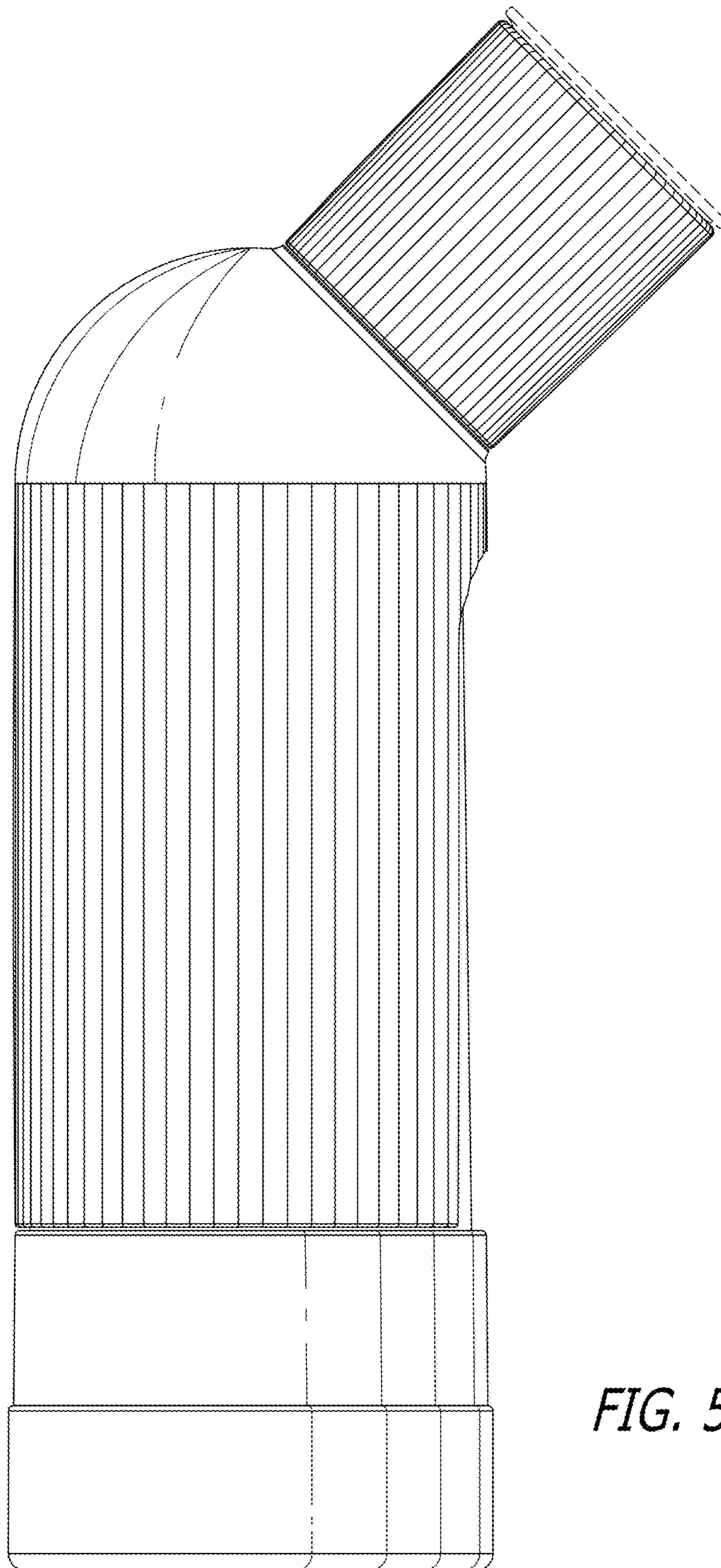
*FIG. 2*



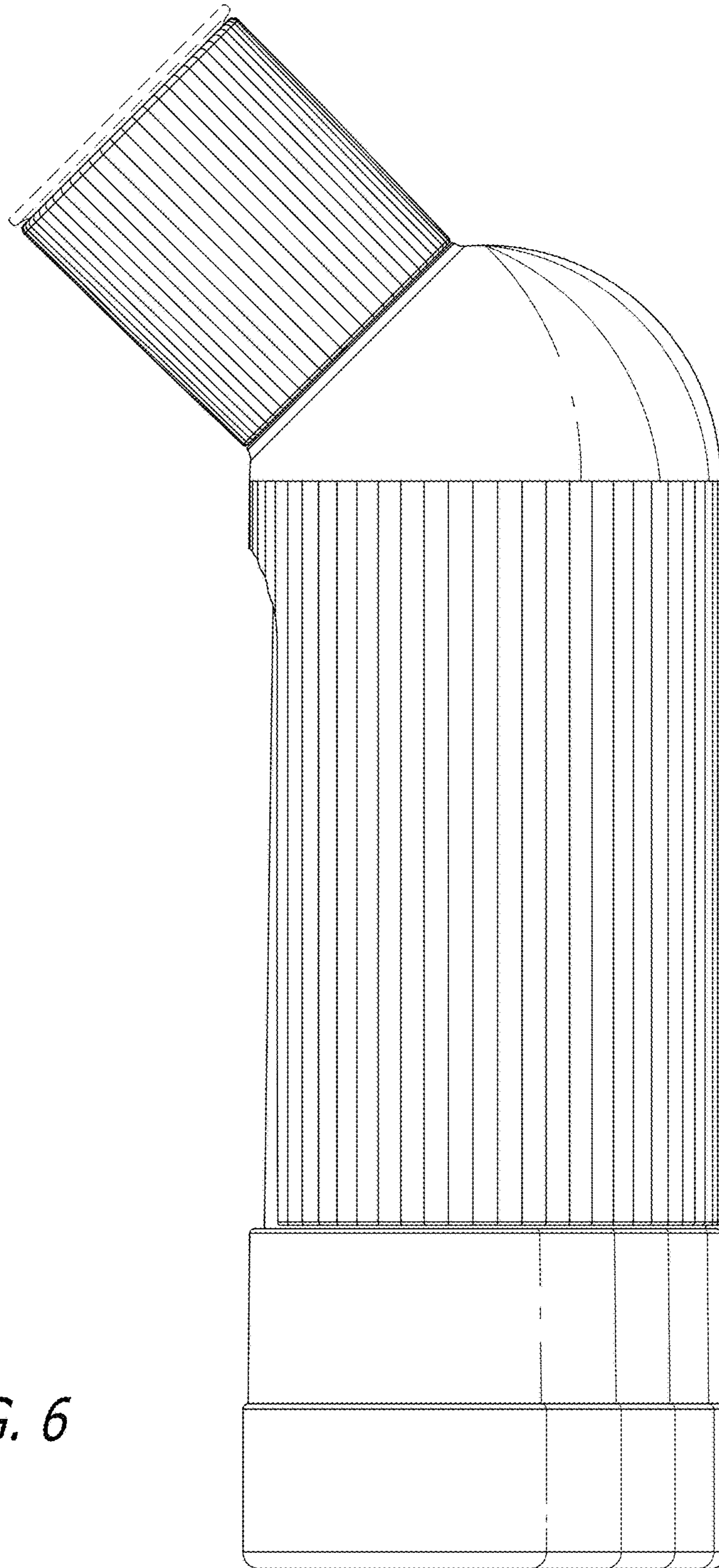
*FIG. 3*



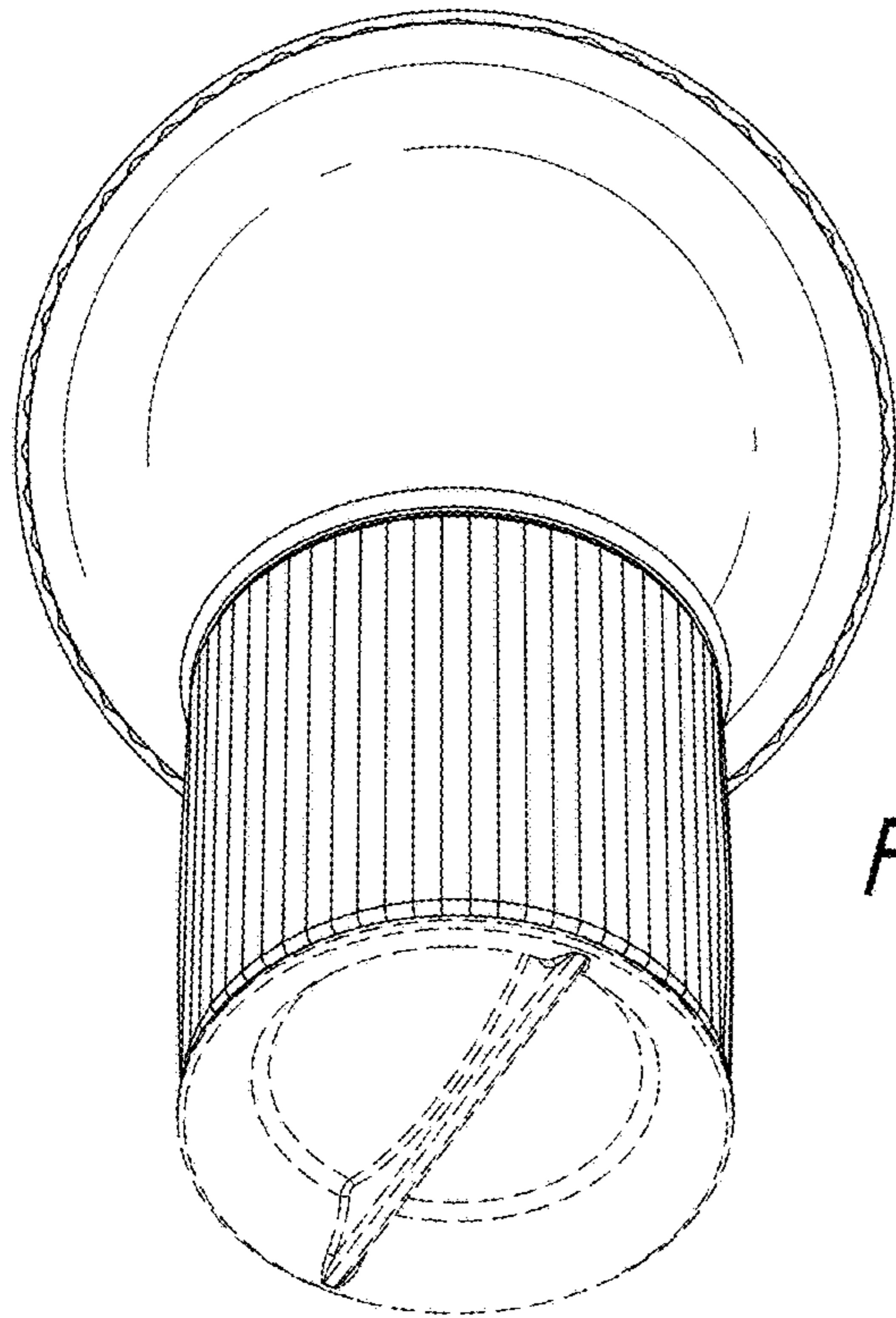
*FIG. 4*



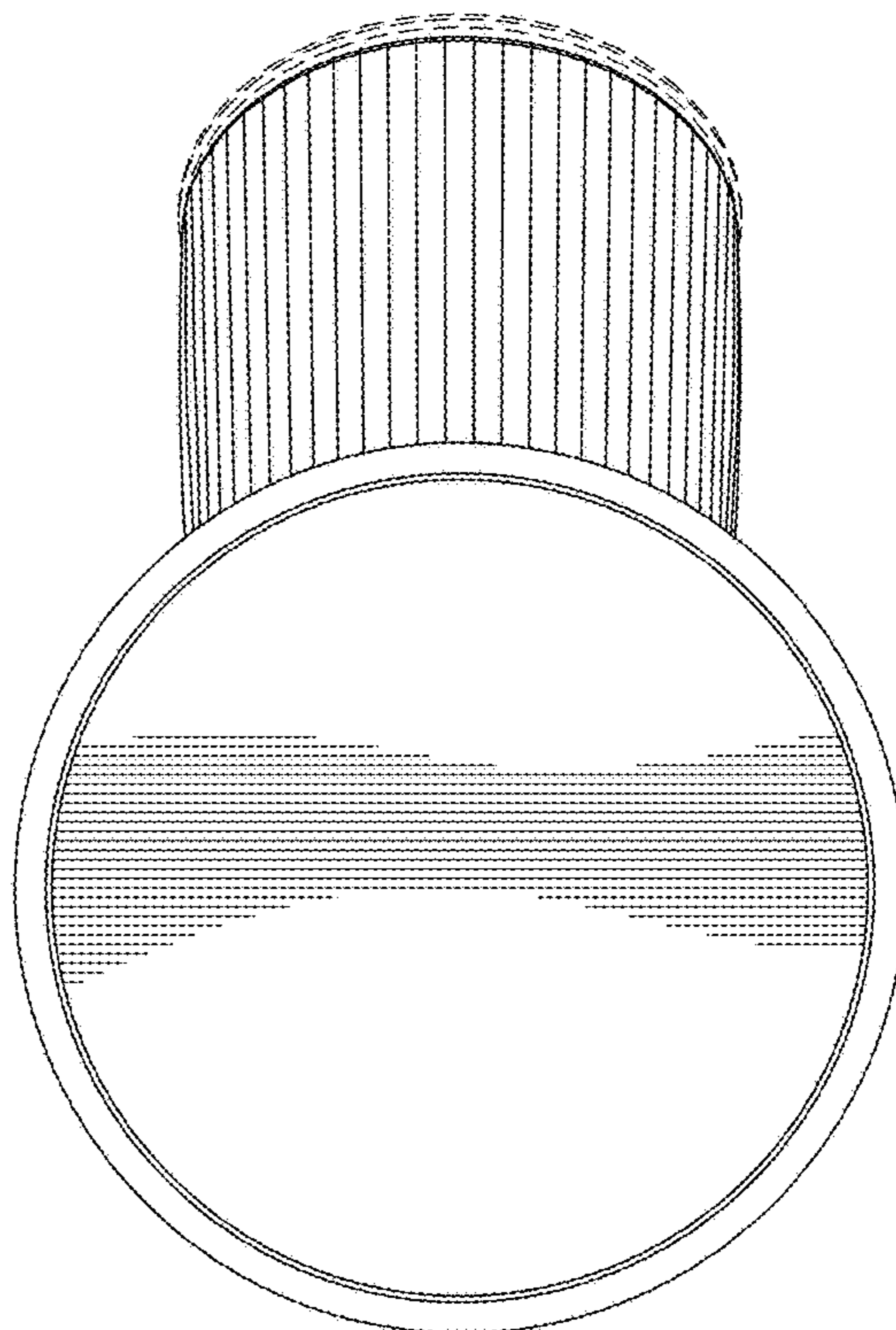
*FIG. 5*



*FIG. 6*



*FIG. 7*



*FIG. 8*