



US00D821159S

(12) **United States Design Patent**  
**Wahl**

(10) **Patent No.:** **US D821,159 S**

(45) **Date of Patent:** **\*\* Jun. 26, 2018**

(54) **FOOD CONTAINER**

(71) Applicant: **Pacific Market International, LLC**,  
Seattle, WA (US)

(72) Inventor: **Andrew C. F. Wahl**, Seattle, WA (US)

(73) Assignee: **Pacific Market International, LLC**,  
Seattle, WA (US)

(\*\*) Term: **15 Years**

(21) Appl. No.: **29/583,741**

(22) Filed: **Nov. 8, 2016**

(51) **LOC (11) Cl.** ..... **07-07**

(52) **U.S. Cl.**  
USPC ..... **D7/629**

(58) **Field of Classification Search**  
USPC ..... D7/629, 550.1–553.5, 554.1–557,  
D7/538–542, 601, 602, 630, 709, 710;  
D3/201–203.8, 202–206, 273, 276, 283,  
D3/284, 295; D9/424–427, 428–432;  
206/217, 216, 223, 541–550, 557–567;  
220/23.83, 212, 574–575, 592.01, 912  
CPC ..... A47G 23/06; B65D 90/58; B65D  
2519/00273; B65D 11/16; B65D 5/2057;  
B65D 90/046; A47J 47/02; B29L  
2031/712; A61J 1/03; A61J 1/2093  
See application file for complete search history.

(56) **References Cited**

**U.S. PATENT DOCUMENTS**

D488,031 S \* 4/2004 Kim ..... D7/629  
D523,296 S \* 6/2006 Kim ..... D7/629

D653,506 S \* 2/2012 Gilbert ..... D7/629  
D659,478 S \* 5/2012 Cossu ..... D7/538  
D660,656 S \* 5/2012 Gilbert ..... D7/629  
D667,702 S \* 9/2012 Gilbert ..... D7/629

\* cited by examiner

*Primary Examiner* — Wan Laymon

*Assistant Examiner* — Mark Booker

(74) *Attorney, Agent, or Firm* — George C. Rondeau, Jr.;  
Davis Wright Tremaine LLP

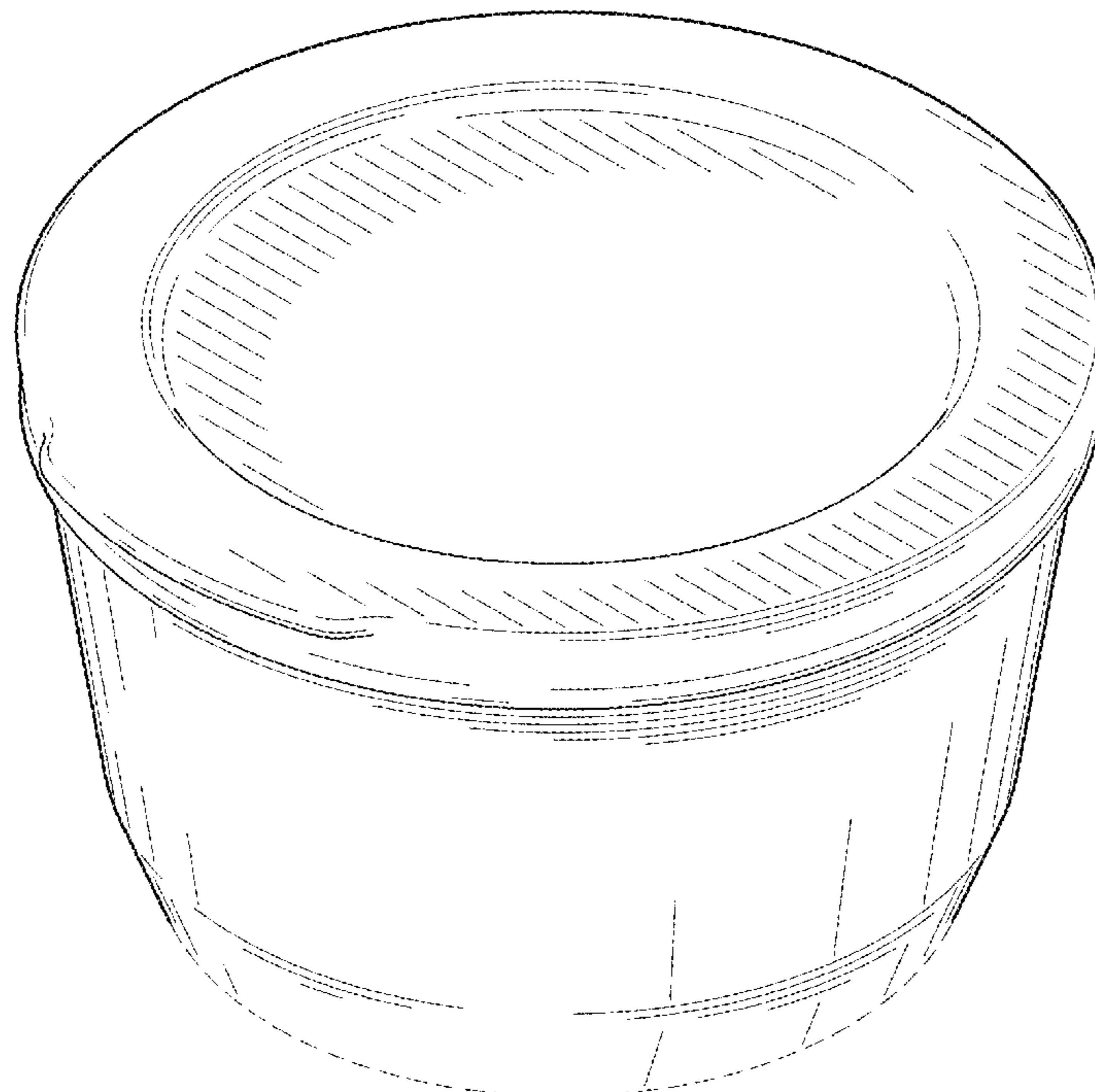
(57) **CLAIM**

The ornamental design for a food container, as shown and described.

**DESCRIPTION**

FIG. 1 is a top front perspective view of a food container showing my new design.  
FIG. 2 is a bottom rear perspective view thereof.  
FIG. 3 is a right side elevational view thereof.  
FIG. 4 is a front elevational view thereof.  
FIG. 5 is a left side elevational view thereof.  
FIG. 6 is a rear elevational view thereof.  
FIG. 7 is a top plan view thereof; and,  
FIG. 8 is a bottom plan view thereof.  
The broken lines represent portions of the food container that form no part of the claim.

**1 Claim, 8 Drawing Sheets**



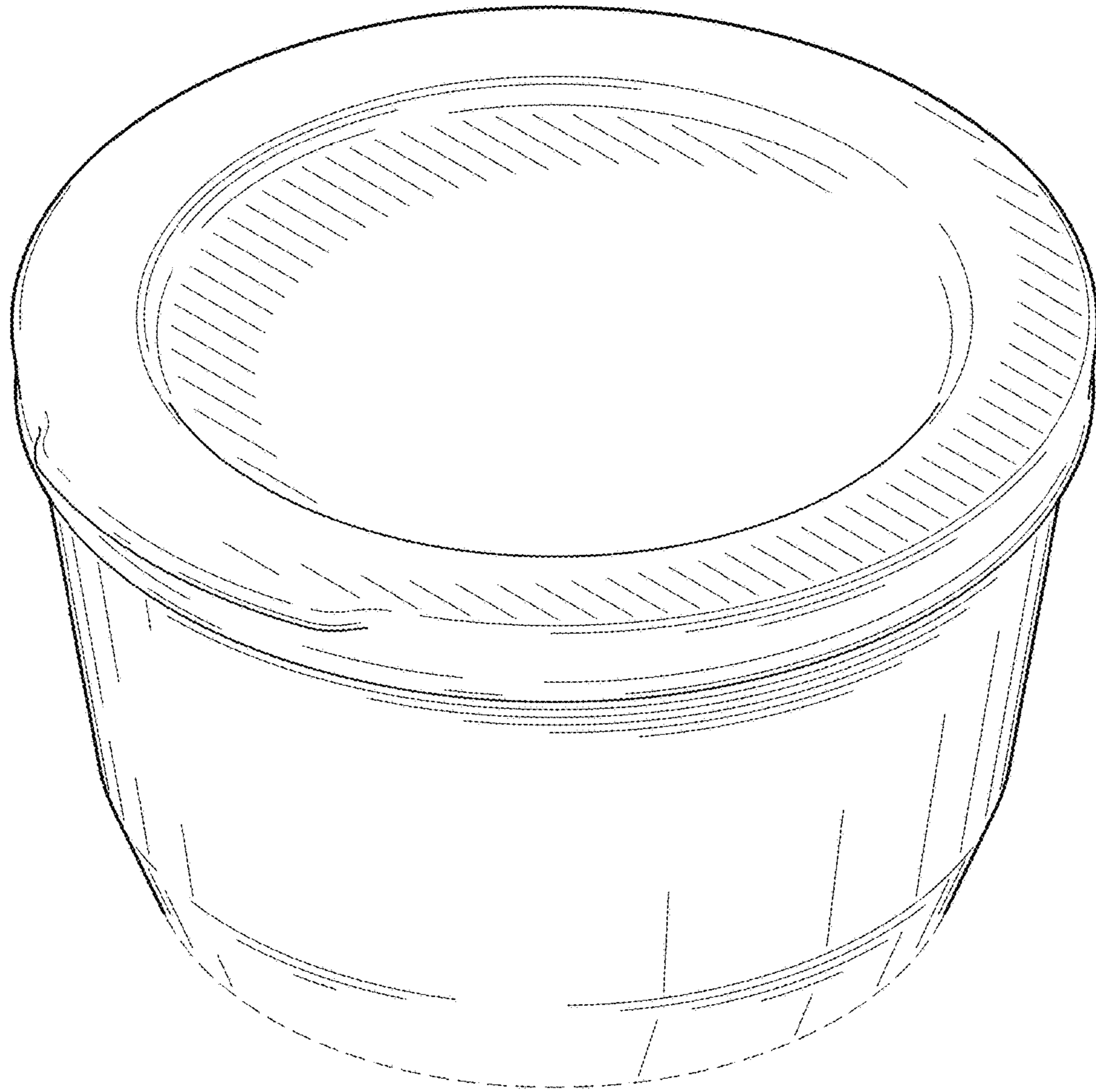


FIG. 1

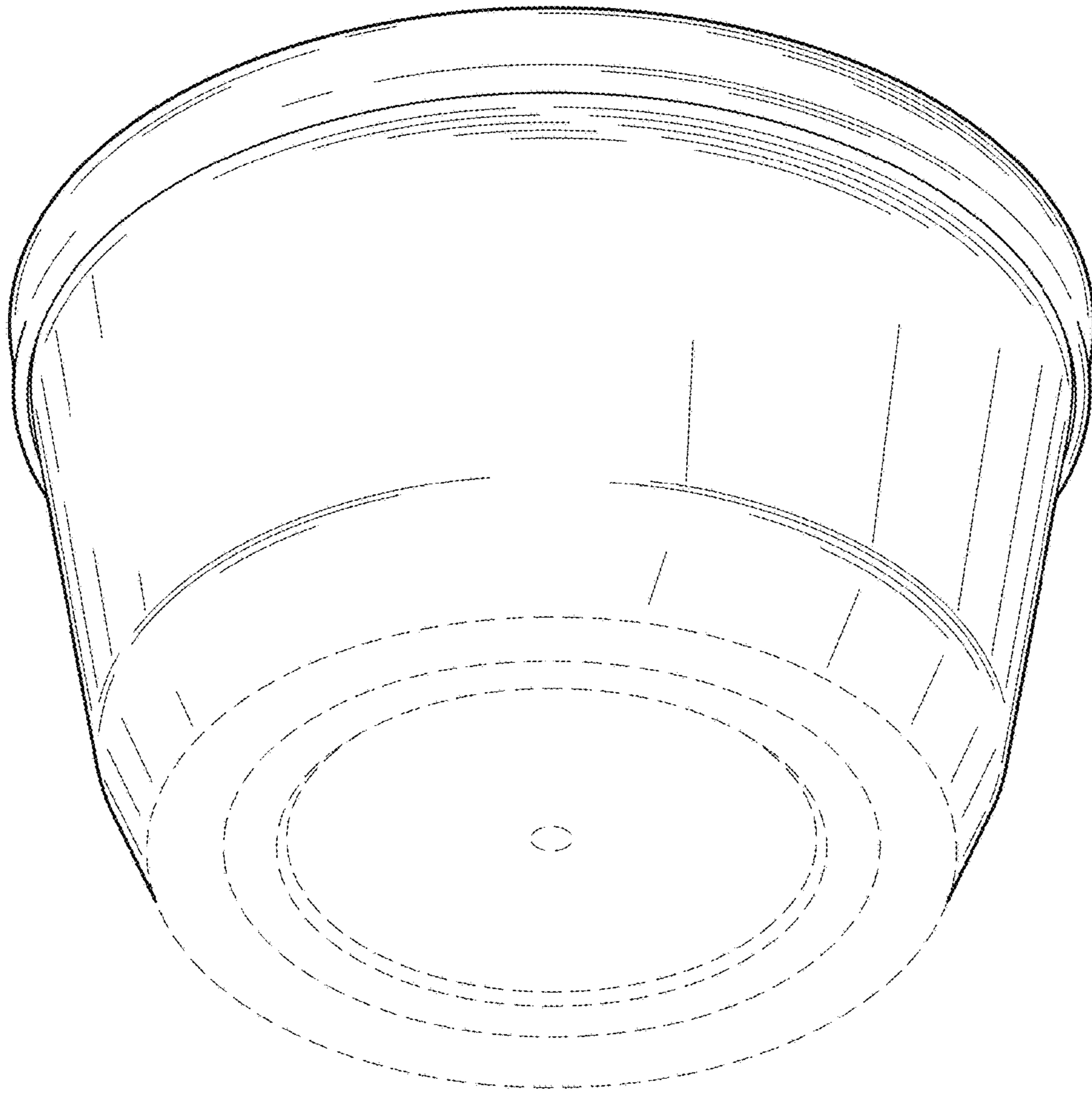


FIG. 2

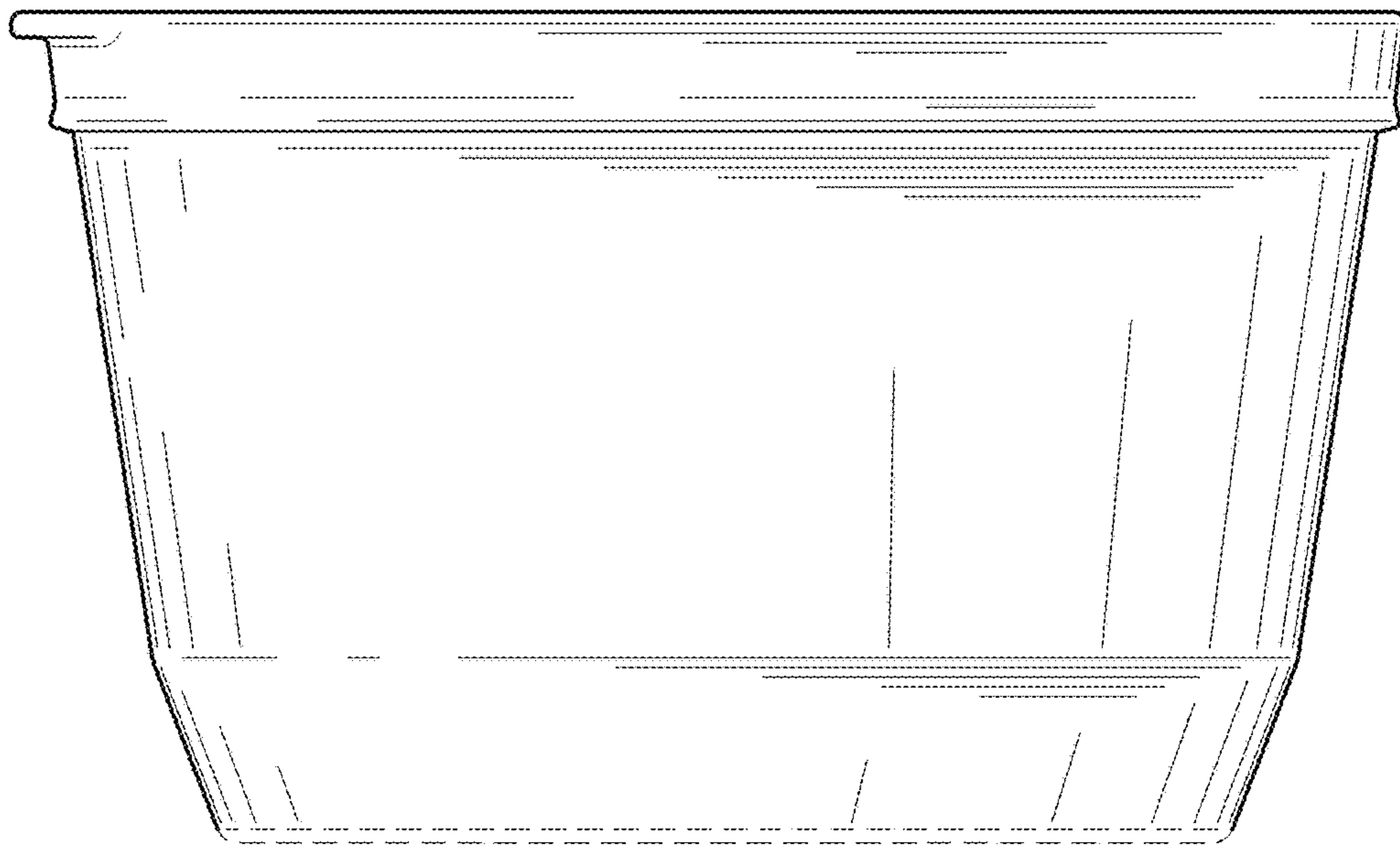


FIG. 3

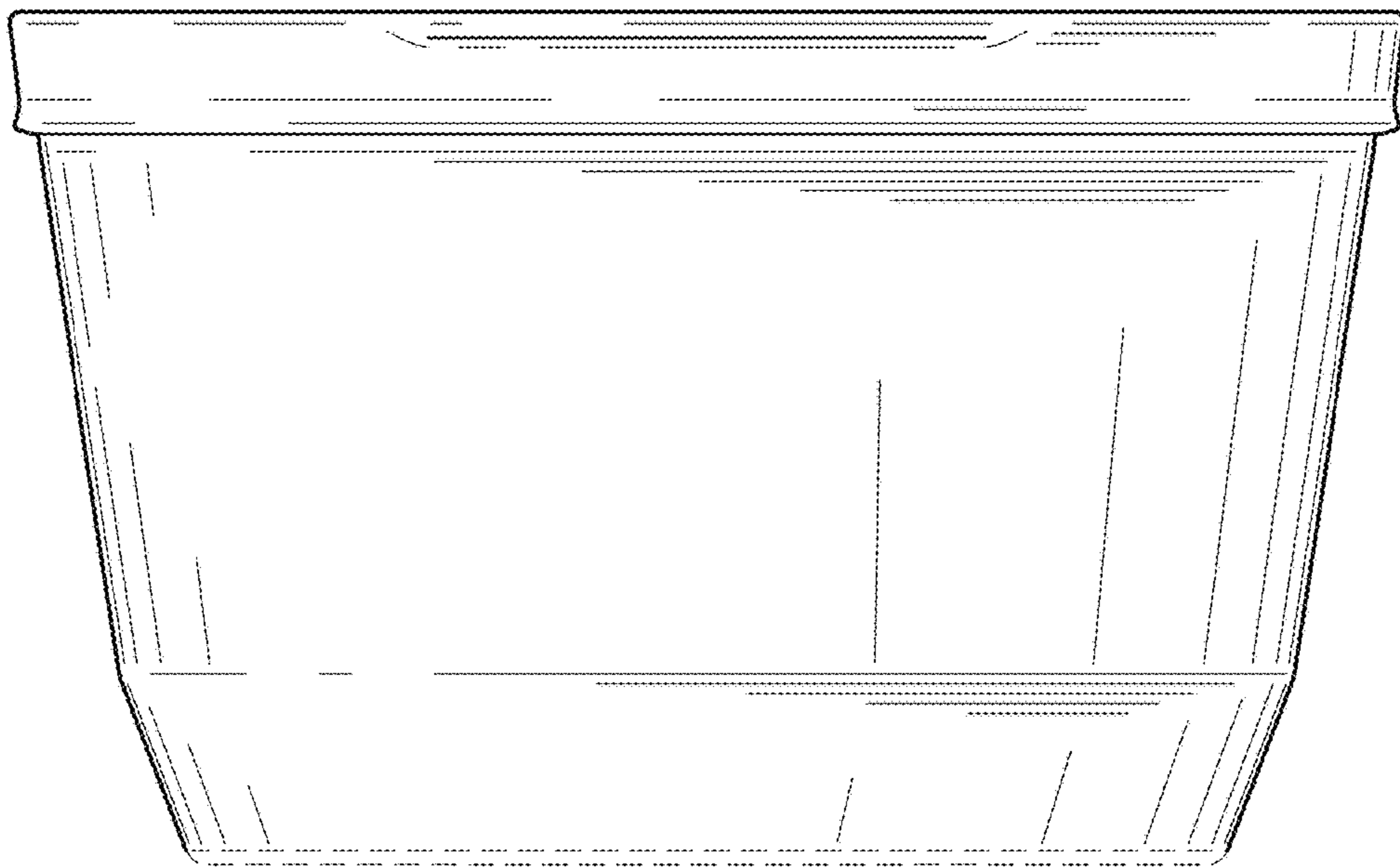


FIG. 4

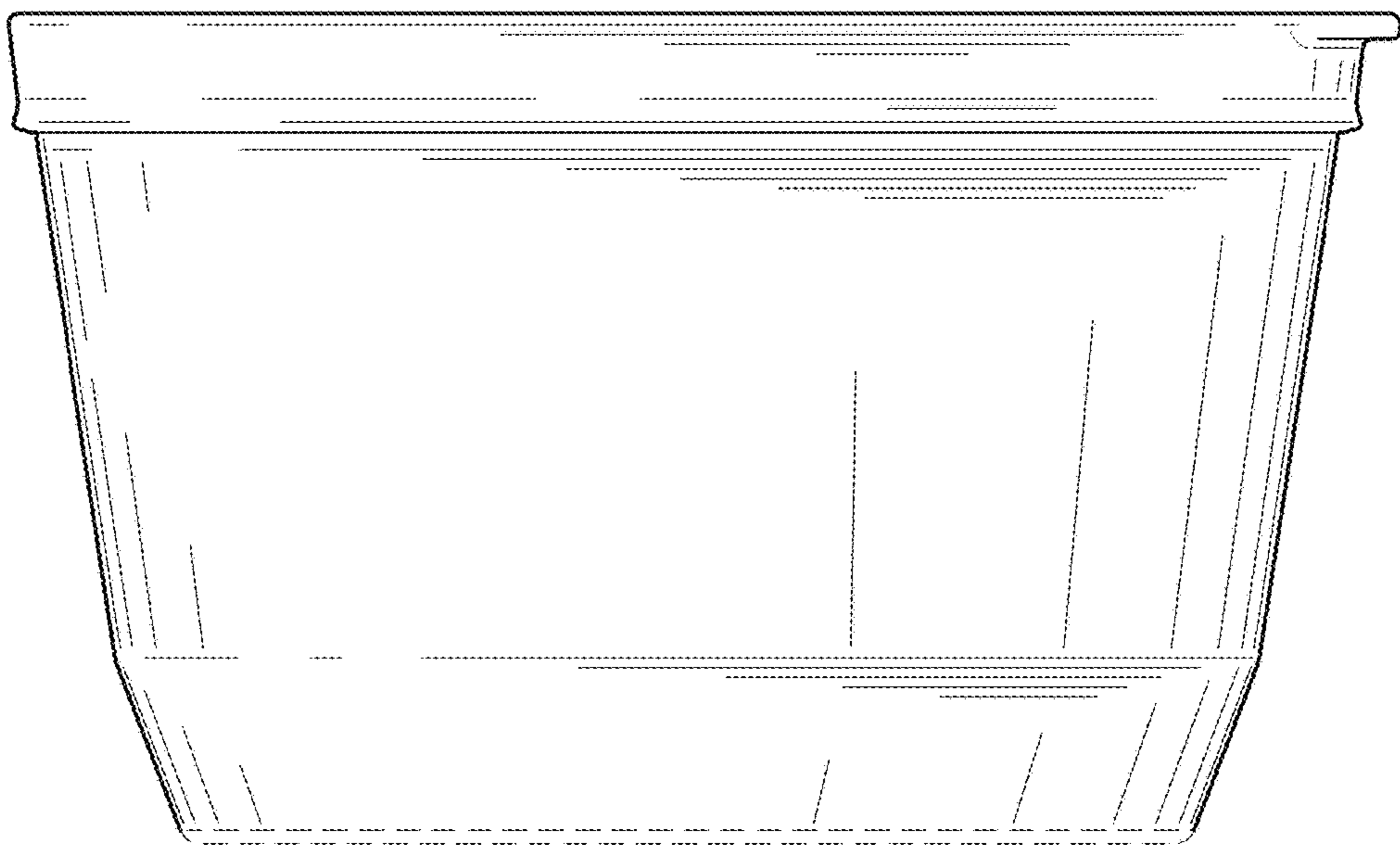


FIG. 5

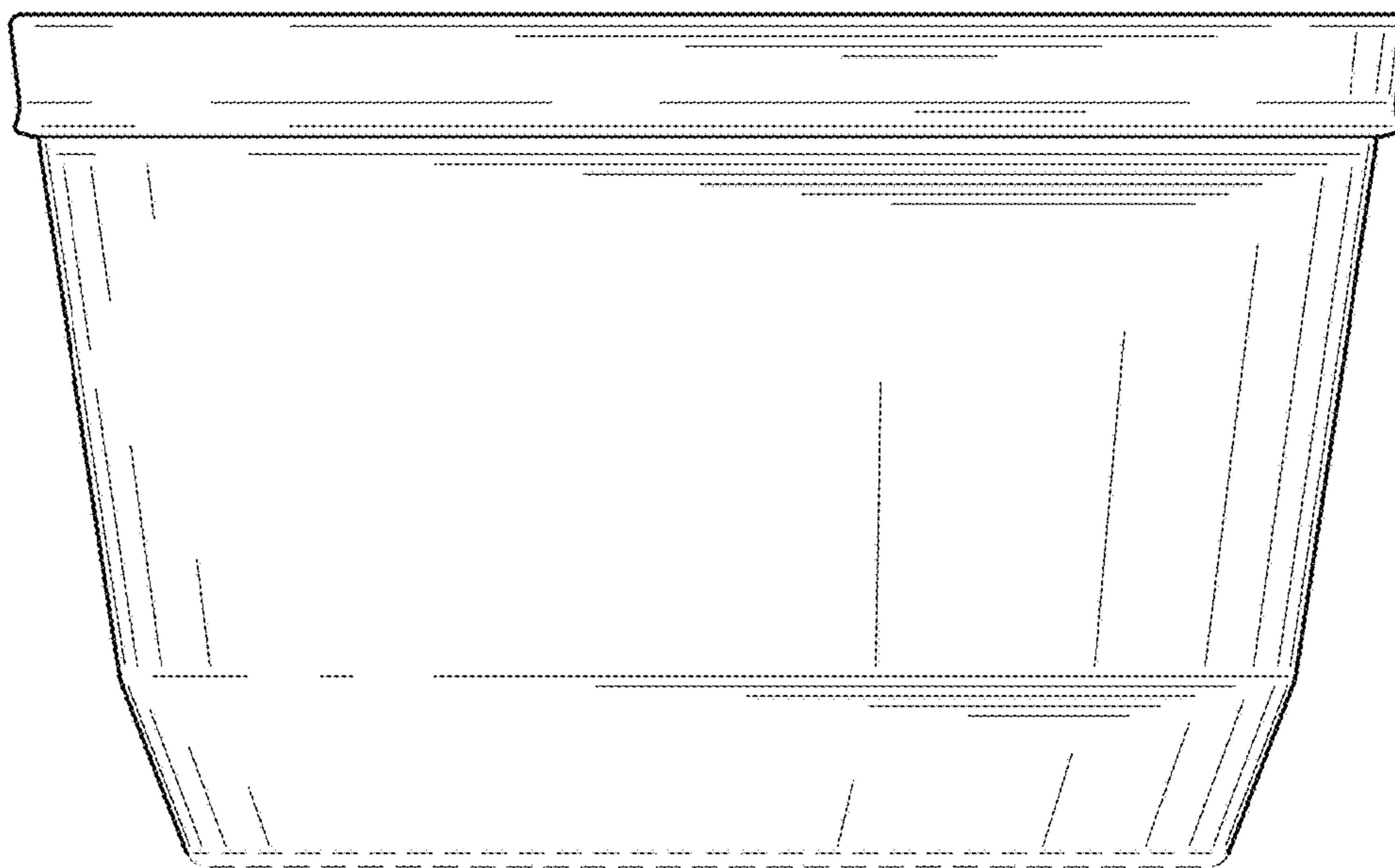


FIG. 6

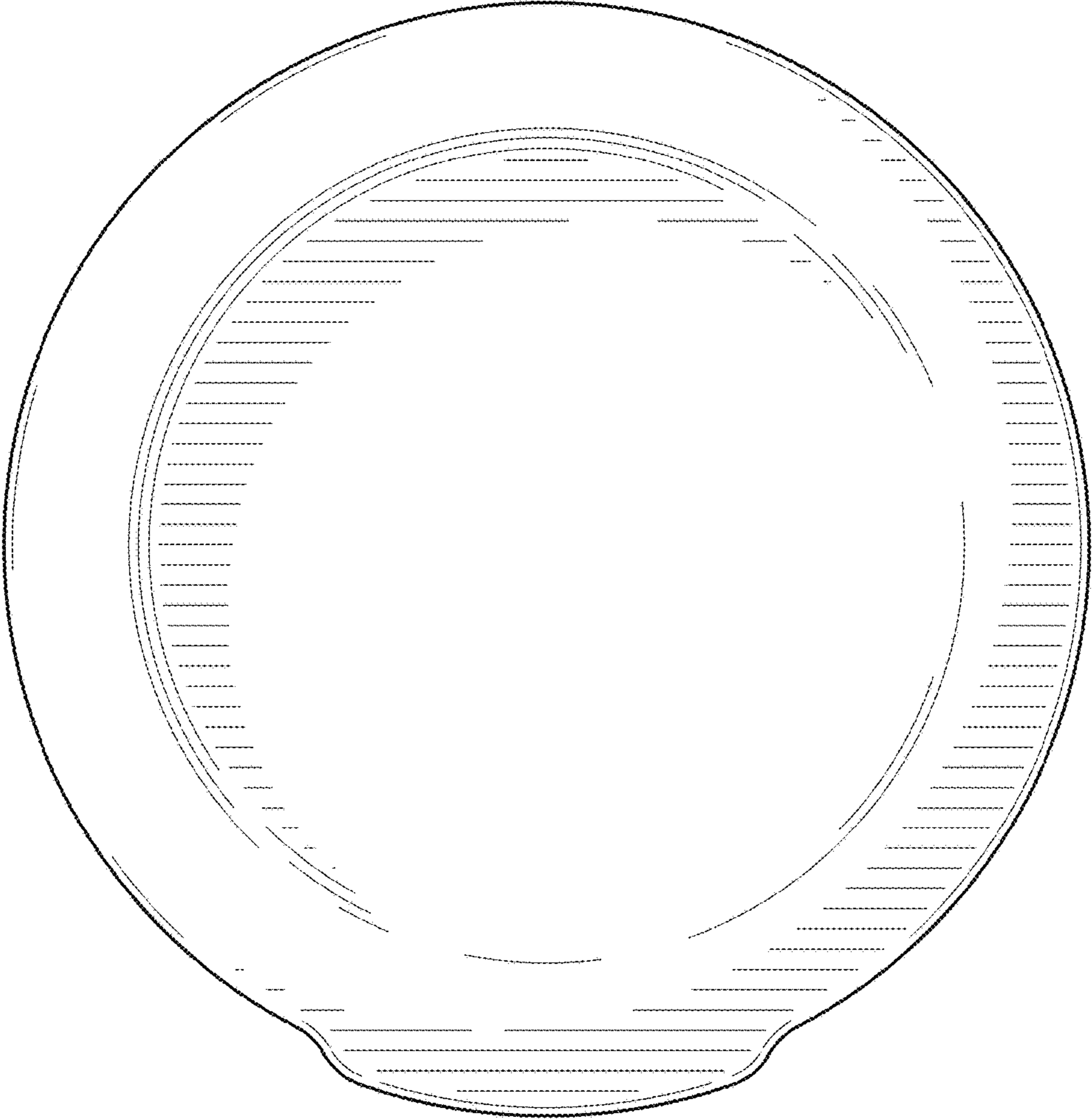


FIG. 7



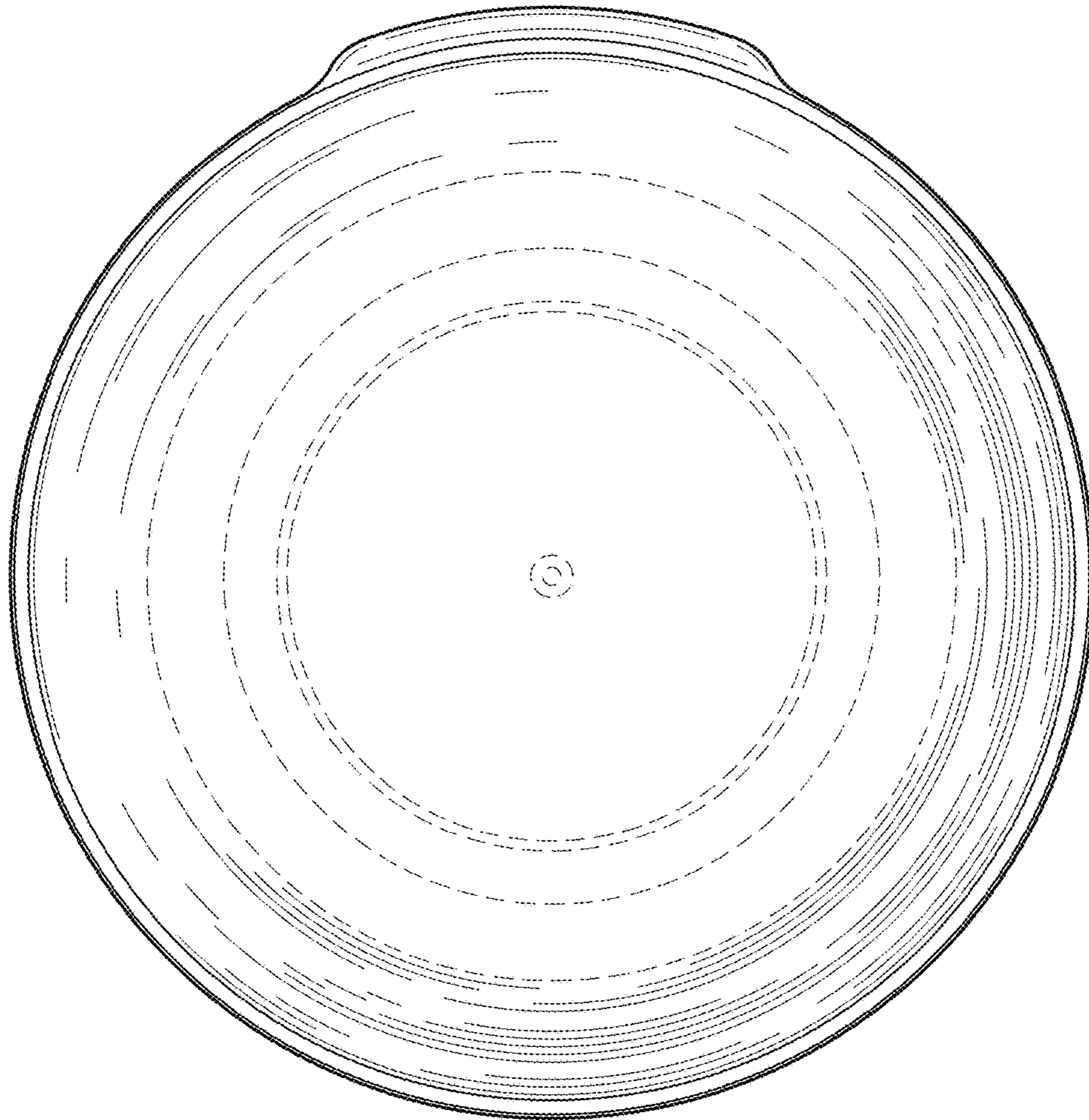


FIG. 8