



US00D821156S

(12) **United States Design Patent**
Rane et al.

(10) **Patent No.:** **US D821,156 S**
(45) **Date of Patent:** **** Jun. 26, 2018**

- (54) **INSULATING DEVICE**
- (71) Applicant: **YETI Coolers, LLC**, Austin, TX (US)
- (72) Inventors: **Mark Rane**, Austin, TX (US); **Dustin Bullock**, Austin, TX (US)
- (73) Assignee: **YETI Coolers, LLC**, Austin, TX (US)
- (**) Term: **15 Years**

- 4,537,044 A 8/1985 Putnam
- 4,573,581 A 3/1986 Galloway et al.
- 5,082,335 A 1/1992 Cur et al.
- 5,175,975 A 1/1993 Benson et al.
- 5,392,960 A 2/1995 Kendt et al.
- (Continued)

FOREIGN PATENT DOCUMENTS

- CN 201128555 Y 10/2008
- CN 102305335 A 1/2012
- (Continued)

- (21) Appl. No.: **29/604,251**
- (22) Filed: **May 16, 2017**
- (51) **LOC (11) Cl.** **07-01**
- (52) **U.S. Cl.**
USPC **D7/605**
- (58) **Field of Classification Search**
USPC D7/603–608, 602, 629, 630; D3/201,
D3/203.1–203.8, 202–206, 272–274
CPC .. A45C 11/20; A45C 5/14; A45C 5/03; A45C
9/00; A47B 77/08; A47J 41/022; A47G
19/2288; F25B 19/00; F25D 3/08; F25D
3/12; F25D 3/14; F25D 27/00; F25D
2331/804; F25D 2400/08; F25D 31/005
See application file for complete search history.

OTHER PUBLICATIONS

- Apr. 3, 2017—(WO) International Search Report and Written Opinion.
- (Continued)

Primary Examiner — Terry A Wallace
(74) *Attorney, Agent, or Firm* — Banner & Witcoff, Ltd.

(57) **CLAIM**

The ornamental design for an insulating device, as shown and described.

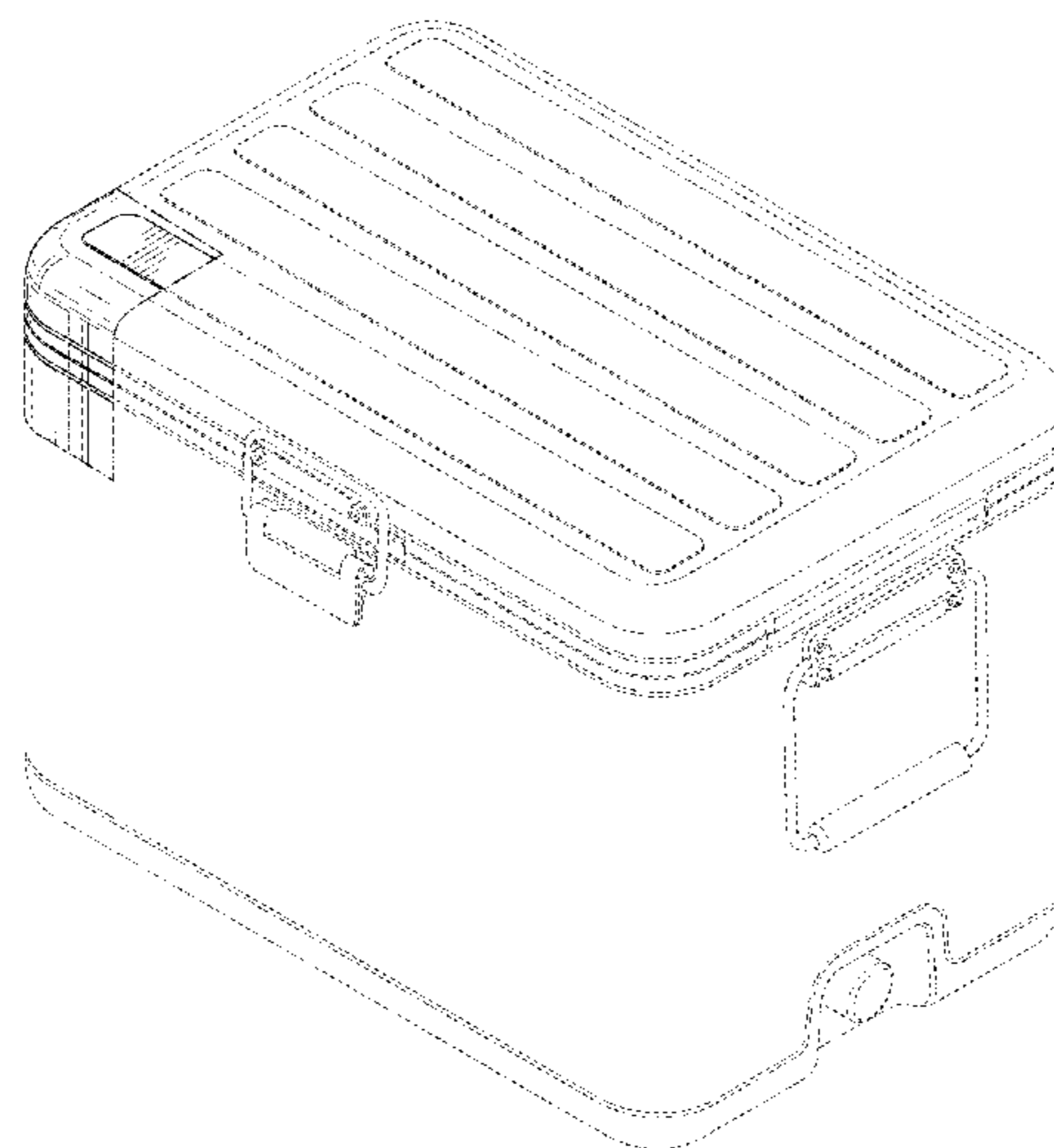
DESCRIPTION

FIG. 1 is a top, front, right perspective view of an insulating device showing our new design;
 FIG. 2 is a front view thereof;
 FIG. 3 is a rear view thereof;
 FIG. 4 is a right side view thereof;
 FIG. 5 is a left side view thereof;
 FIG. 6 is a top view thereof; and,
 FIG. 7 is a bottom view thereof.

The uneven-length broken lines represent unclaimed boundaries of the claimed design. The even-length broken lines showing the remainder of the insulating device represent unclaimed subject matter and form no part of the claimed design.

1 Claim, 7 Drawing Sheets

- (56) **References Cited**
U.S. PATENT DOCUMENTS
- 2,184,336 A 12/1939 Devine
- 2,239,128 A 4/1941 Sykes
- 2,555,126 A 5/1951 Greve
- 2,570,300 A 10/1951 Acton
- 2,892,564 A 6/1959 Morrison
- 2,927,712 A 3/1960 Armato, Sr.
- 3,168,362 A 2/1965 Perkins
- 3,302,358 A 2/1967 Jackson
- 3,389,824 A 6/1968 Berchtold
- 3,406,532 A 10/1968 Rownd
- 3,979,007 A 9/1976 Thornbloom, Jr.
- 4,143,695 A 3/1979 Hoehn
- 4,249,392 A 2/1981 Hotta



(56)

References Cited

U.S. PATENT DOCUMENTS

5,408,832 A 4/1995 Boffito et al.
 5,570,588 A 11/1996 Lowe
 5,780,521 A 7/1998 Schmidt et al.
 5,843,353 A 12/1998 De Vos et al.
 5,875,916 A 3/1999 Crockett, Sr. et al.
 5,896,641 A 4/1999 Yamada et al.
 5,943,876 A 8/1999 Meyer et al.
 3,003,719 A 12/1999 Stewart, III
 6,027,249 A 2/2000 Bielinski
 3,067,813 A 5/2000 Smith
 D429,966 S 8/2000 Israel et al.
 6,128,914 A 10/2000 Tamaoki et al.
 6,131,404 A 10/2000 Hase et al.
 6,220,473 B1 4/2001 Lehman et al.
 6,244,458 B1 6/2001 Frysinger et al.
 6,308,518 B1 10/2001 Hunter
 6,381,981 B1 5/2002 Yaddgo et al.
 6,397,620 B1 6/2002 Kelly et al.
 6,415,623 B1 7/2002 Jennings et al.
 6,457,323 B1 10/2002 Marotta
 6,488,172 B1 12/2002 Wenning et al.
 6,536,228 B1 3/2003 Hall
 6,938,968 B2 9/2005 Tanimoto et al.
 7,057,527 B2 6/2006 Hunter
 7,140,508 B2 11/2006 Kuhn et al.
 D544,756 S 6/2007 Jones et al.
 D544,757 S 6/2007 Jones et al.
 D544,758 S 6/2007 Jones et al.
 D544,759 S 6/2007 Jones et al.
 D547,129 S 7/2007 Jones et al.
 D547,617 S 7/2007 Jones et al.
 7,263,855 B2 9/2007 Meyer et al.
 D552,426 S 10/2007 Jones et al.
 D566,479 S * 4/2008 Kabalin D3/273
 7,669,436 B2 3/2010 Mogil et al.
 7,681,405 B2 3/2010 Williams
 7,784,301 B2 8/2010 Sasaki et al.
 7,833,605 B2 11/2010 Tenra et al.
 D634,982 S * 3/2011 Melchert D7/605
 7,937,958 B2 5/2011 Shinya et al.
 7,950,246 B1 5/2011 Mayer et al.
 D652,262 S * 1/2012 Yang D7/605
 8,176,749 B2 5/2012 LaMere et al.
 8,215,518 B2 7/2012 Hyde et al.
 8,381,939 B2 2/2013 Schultz et al.
 8,573,002 B2 11/2013 Ledoux et al.
 8,622,235 B2 1/2014 Suchecki
 8,763,423 B2 7/2014 Tattam
 8,763,847 B2 7/2014 Mortarotti
 8,800,795 B2 8/2014 Hwang
 8,875,934 B2 11/2014 Deka
 8,887,515 B2 11/2014 Patstone
 8,986,805 B2 3/2015 Yoon et al.
 9,022,249 B2 5/2015 Ranade
 9,139,352 B2 9/2015 Seiders et al.
 9,140,481 B2 9/2015 Cur et al.
 D745,809 S 12/2015 Rowley et al.
 9,272,475 B2 3/2016 Ranade et al.
 9,389,013 B2 7/2016 Rolek et al.
 9,464,751 B2 10/2016 Toshimitsu et al.
 9,527,652 B2 12/2016 Fumeaux et al.
 9,550,618 B1 1/2017 Jobe
 9,555,946 B1 1/2017 Warman
 2002/0130131 A1 9/2002 Zucker et al.
 2002/0144482 A1 10/2002 Henson et al.
 2003/0124300 A1 7/2003 Gregorio et al.
 2004/0185203 A1 9/2004 Gregorio et al.
 2004/0231355 A1 11/2004 Mayer
 2005/0189404 A1 9/2005 Xiaohai et al.
 2005/0205584 A1 9/2005 Degermann
 2007/0125118 A1 6/2007 Hooper
 2007/0217187 A1 9/2007 Blakely et al.
 2008/0127668 A1 6/2008 DeVito et al.
 2008/0178629 A1 7/2008 Meether

2009/0001086 A1 1/2009 Roderick et al.
 2009/0032541 A1 2/2009 Rogala et al.
 2009/0071088 A1 3/2009 Viegas et al.
 2009/0126600 A1 5/2009 Zupancich et al.
 2010/0326993 A1 12/2010 Mayer et al.
 2011/0147391 A1 6/2011 Corder et al.
 2011/0248038 A1 10/2011 Mayer
 2012/0225236 A1 9/2012 Cox
 2012/0237715 A1 9/2012 McCracken
 2012/0297813 A1 11/2012 Hanley et al.
 2012/0318808 A1 12/2012 McCormick
 2013/0140317 A1 6/2013 Roskoss
 2013/0248649 A1 9/2013 Burd
 2014/0008374 A1 1/2014 Lubart et al.
 2014/0151382 A1 6/2014 White et al.
 2015/0166244 A1 6/2015 Wood et al.
 2015/0259126 A1 9/2015 McGoff et al.
 2015/0284169 A1 10/2015 Nehring
 2015/0369529 A1 12/2015 Monroe
 2016/0039594 A1 2/2016 Ranade
 2016/0090227 A1 3/2016 Miller
 2016/0187045 A1 6/2016 McGarry
 2016/0230918 A1 8/2016 Kim et al.
 2016/0244239 A1 8/2016 Nash
 2017/0121097 A1 5/2017 Pranadi et al.

FOREIGN PATENT DOCUMENTS

CN 102748558 A 10/2012
 CN 202463019 U 10/2012
 CN 202594113 U 12/2012
 CN 104964124 A 10/2015
 CN 303435939 S 11/2015
 DE 202004016939 U1 3/2005
 EP 1505359 A1 2/2005
 EP 2022728 A1 2/2009
 EP 2883812 A1 6/2015
 GB 2222791 A 3/1990
 JP 2005035632 A 2/2005
 JP 2007246097 A 9/2007
 WO 9711842 A1 4/1997
 WO 2016070956 A1 5/2016
 WO 2016181111 A1 11/2016

OTHER PUBLICATIONS

60 Qt. Stainless Steel Party Cooler by Oakland Living, retrieved from Internet Jul. 6, 2017, URL: <https://www.wayfair.com/Oakland-Living-60-Qt.-Stainless-Steel-Party-Cooler-OAA2986.html>, 5 pp.
 80 Qt. Stainless Steel Rolling Cooler with Cover by Trinity, retrieved from Internet Jul. 6, 2017, URL: <https://www.wayfair.com/Trinity-80-Qt.-Stainless-Steel-Rolling-Cooler-with-Cover-TTY1173.html>, 5 pp.
 Coleman Steel Belted Review, retrieved from Internet Jul. 6, 2017, URL: <http://www.coolersonsale.com/coleman-steel-belted>, 10 pp.
 Igloo Stainless Steel 54-Quart Cooler, retrieved from Internet Feb. 5, 2018, URL: <https://www.igloocoolers.com/products/44669-legacy-stainless-steel-54-qt-cooler-stainless>, 4 pp.
 Kitchenall Beverage Air DW64-S Deep Well Beer Cooler, Stainless Steel, retrieved from Internet Jul. 6, 2017, URL: <https://www.kitchenall.com/beverage-air-dw64-s.html>, 3 pp.
 Koolatron 54-Qt Corona Stainless Steel Ice Chest Cooler, retrieved from Internet Jul. 6, 2017, URL: https://www.wayfair.com/Koolatron-54-Qt.-Corona-Stainless-Steel-Ice-Chest_Cooler-KOO1576.html, 4 pp.
 Portable Plastic Inner Ice Box Refrigerated Cooler box by Shengshi, retrieved from Internet Jul. 7, 2017, URL: https://www.alibaba.com/product-detail/Portable-Plastic-Inner-Ice-Box-Regrigerated_1073478882.html?s=p, 7 pp.
 Vintage Beer Cooler, retrieved from Internet Jul. 6, 2017, URL: <http://www.ebay.com/bhp/vintage-beer-cooler>, 8 pp.

* cited by examiner

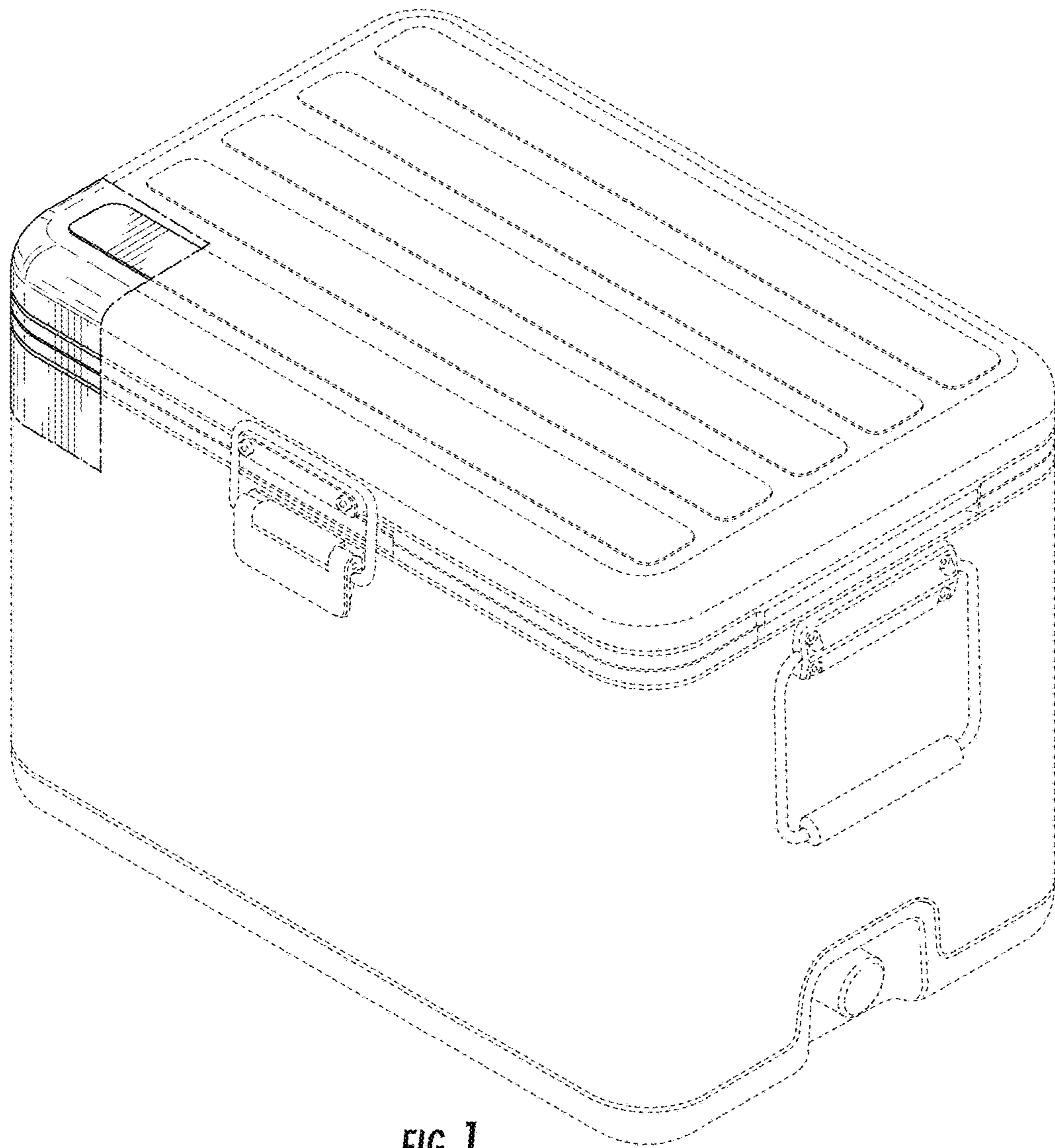


FIG. 1

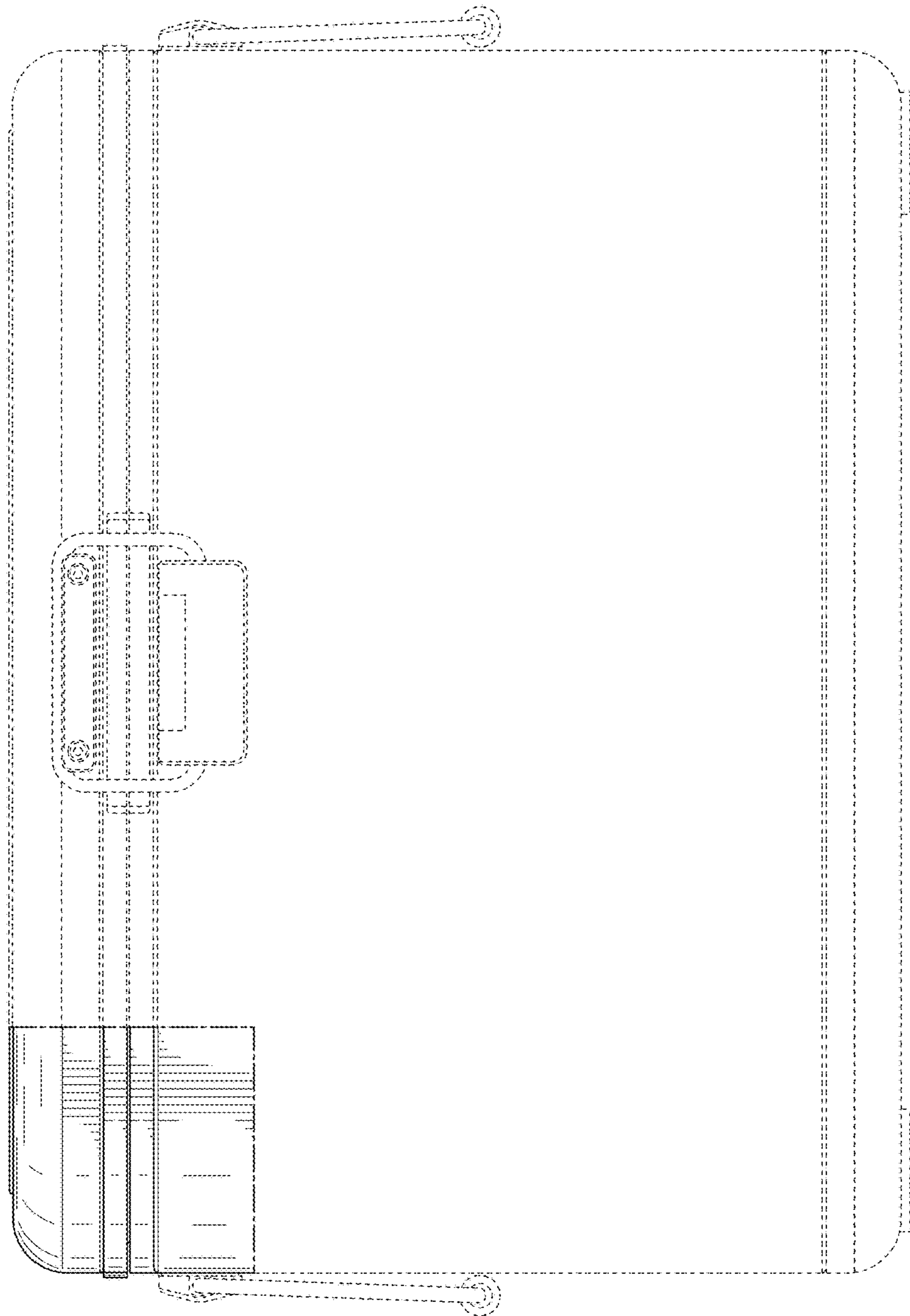


FIG. 2

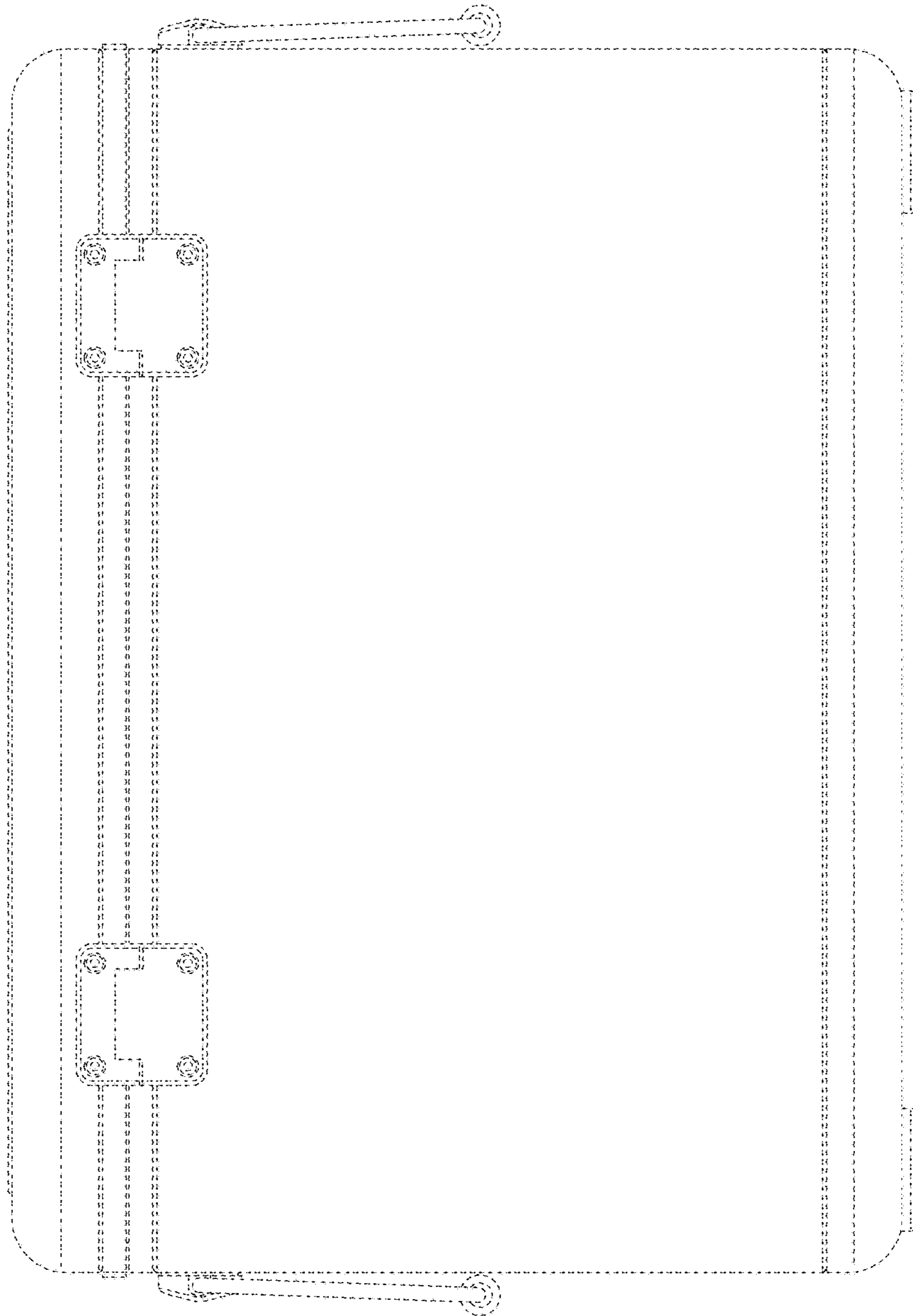


FIG. 3

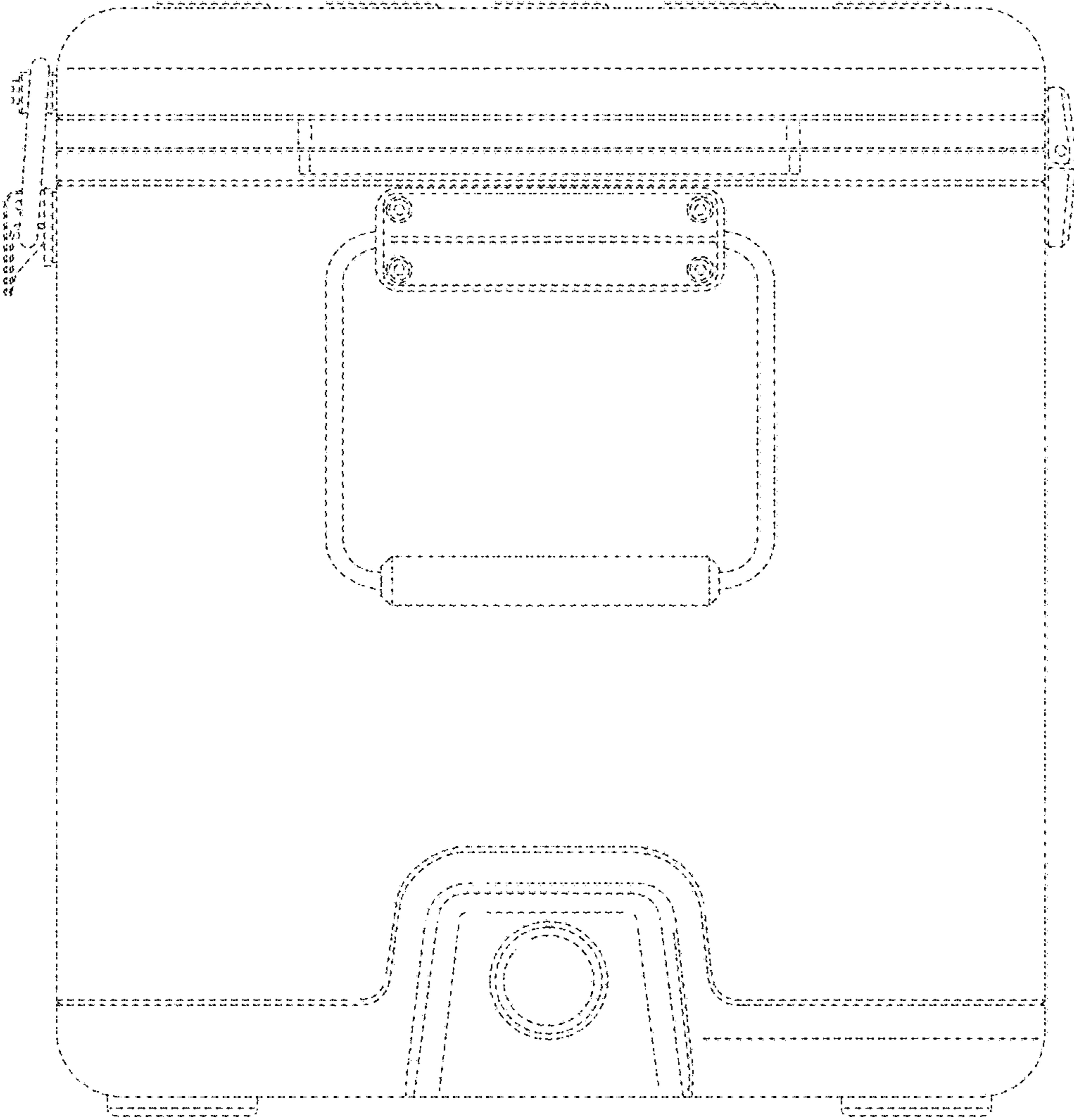


FIG. 4

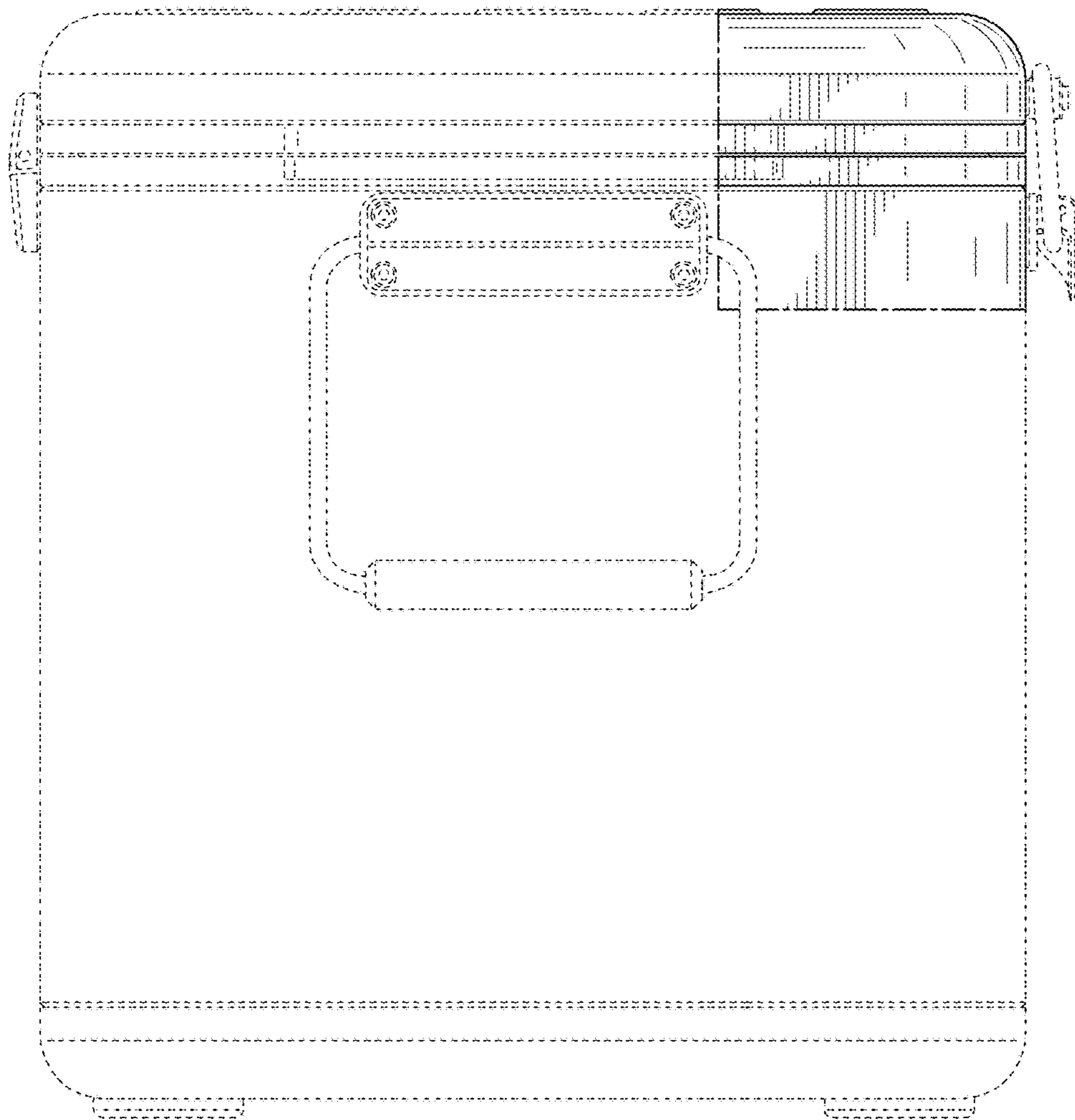


FIG. 5

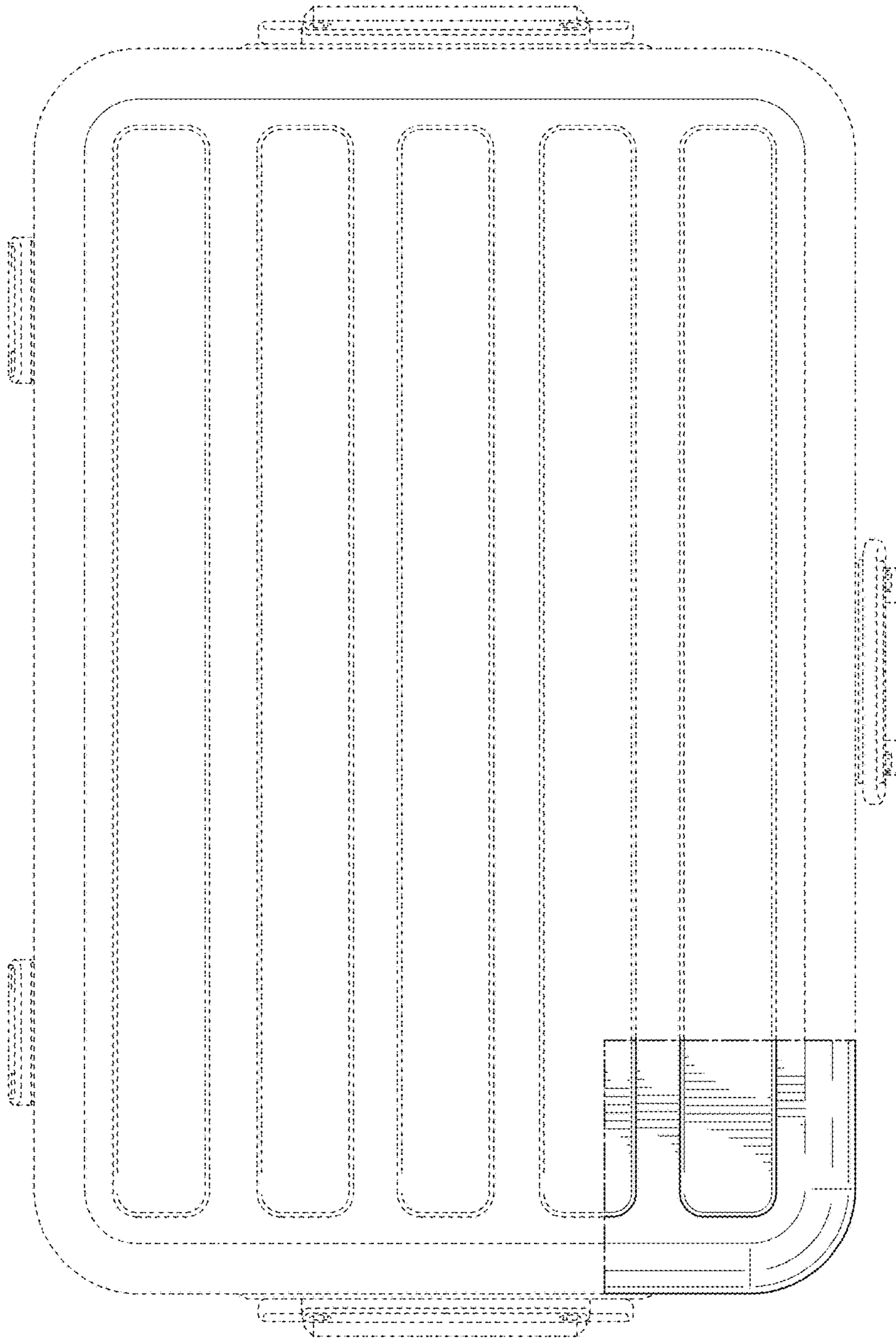


FIG. 6

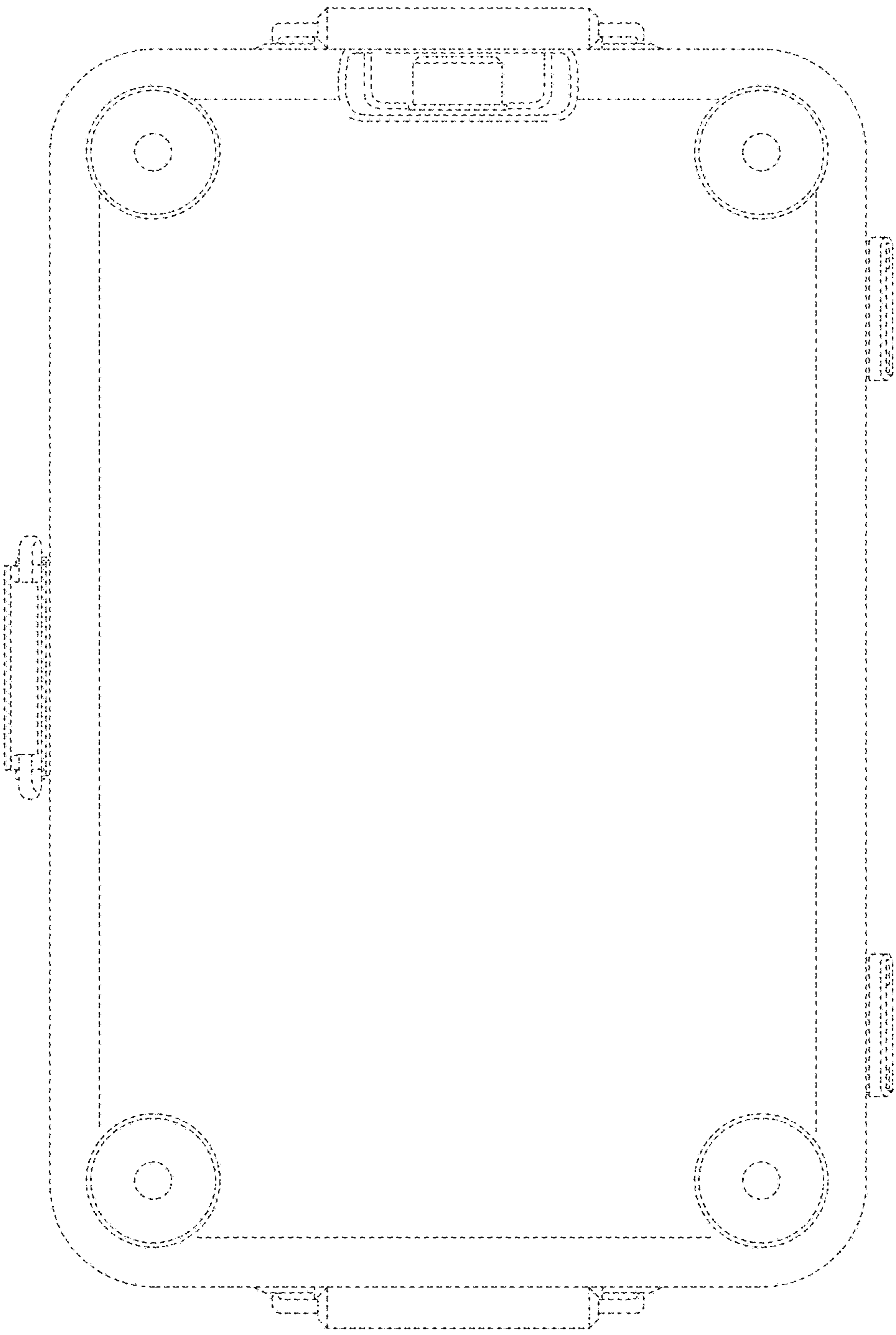


FIG. 7