



US00D821155S

(12) **United States Design Patent**
Rane et al.

(10) **Patent No.:** **US D821,155 S**
(45) **Date of Patent:** **** Jun. 26, 2018**

(54) **INSULATING DEVICE**

FOREIGN PATENT DOCUMENTS

(71) Applicant: **YETI Coolers, LLC**, Austin, TX (US)

CN 201128555 Y 10/2008
CN 102305335 A 1/2012

(72) Inventors: **Mark Rane**, Austin, TX (US); **Dustin Bullock**, Austin, TX (US)

(Continued)

(73) Assignee: **YETI Coolers, LLC**, Austin, TX (US)

(**) Term: **15 Years**

(21) Appl. No.: **29/604,248**

(22) Filed: **May 16, 2017**

(51) **LOC (11) Cl.** **07-01**

(52) **U.S. Cl.**
USPC **D7/605**

(58) **Field of Classification Search**

USPC D7/605–607, 629, 630; D3/201,
D3/202–206, 203.1–203.8, 272–274
CPC .. A45C 11/20; A45C 5/14; A45C 5/03; A45C
9/00; A47B 77/08; A47J 41/022; A47G
19/2288; F25B 19/00; B26B 3/003; B65D
81/3823; B65D 81/3858; B65D 81/3813;
B65D 81/3888; B65D 81/3816; F25D
3/08; F25D 3/14; F25D 3/12; F25D
27/00; F25D 2331/804; F25D 2400/08;
F25D 31/005

See application file for complete search history.

(56) **References Cited**

U.S. PATENT DOCUMENTS

2,184,336 A 12/1939 Devine
2,239,128 A 4/1941 Sykes
2,555,126 A 5/1951 Greve
2,570,300 A 10/1951 Acton
2,892,564 A 6/1959 Morrison

(Continued)

OTHER PUBLICATIONS

Apr. 3, 2017—(WO) International Search Report and Written Opinion.

(Continued)

Primary Examiner — Terry A Wallace

(74) *Attorney, Agent, or Firm* — Banner & Witcoff, Ltd.

(57) **CLAIM**

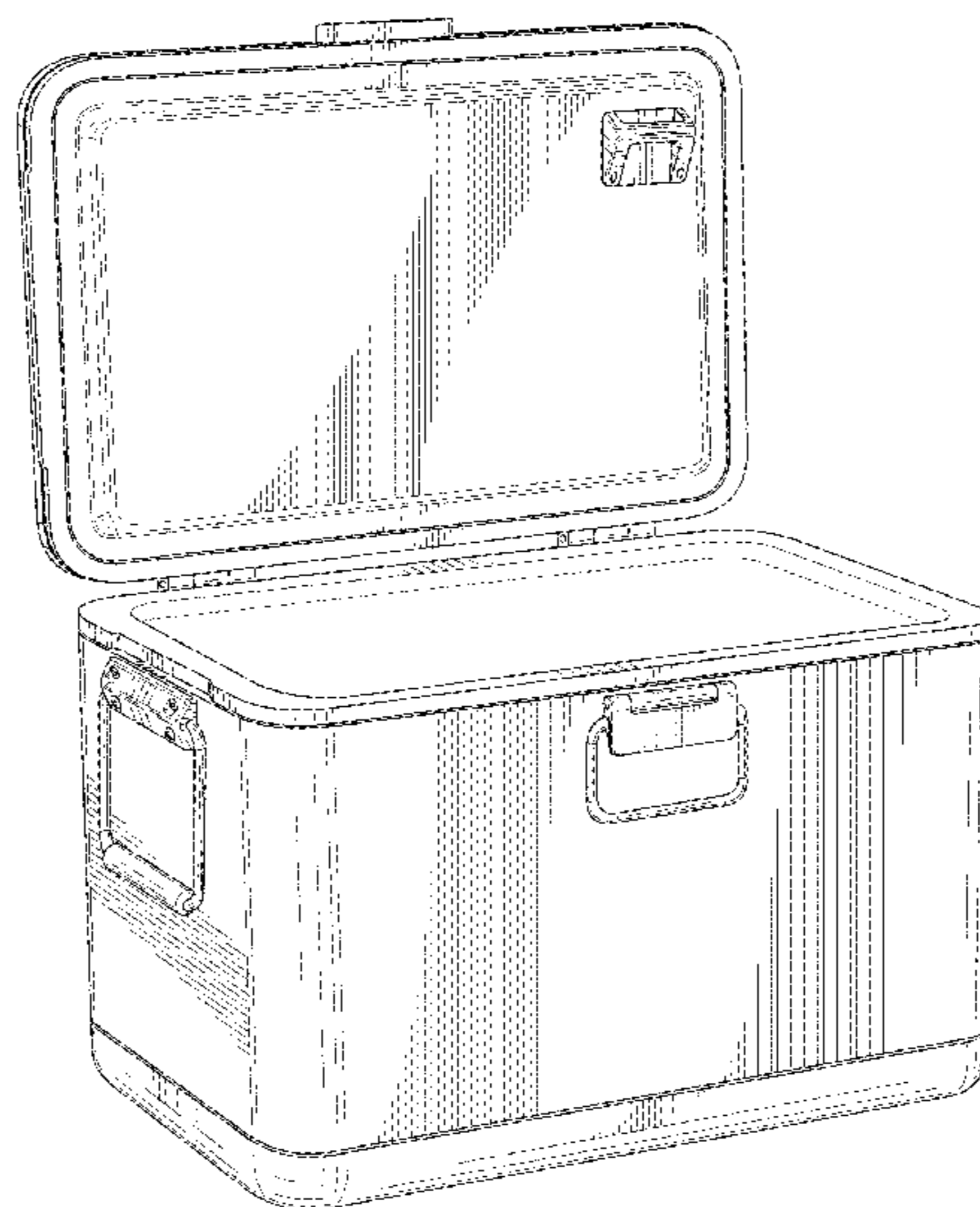
The ornamental design for an insulating device, as shown and described.

DESCRIPTION

FIG. 1 is a top, front, left perspective view of an insulating device showing our new design in an open configuration; FIG. 2 is a front view thereof; FIG. 3 is a rear view thereof; FIG. 4 is a right side view thereof; FIG. 5 is a left side view thereof; FIG. 6 is a top view thereof; FIG. 7 is a bottom view thereof; FIG. 8 is a top, front, right perspective view of an insulating device showing our new design in a closed configuration; FIG. 9 is a front view thereof; FIG. 10 is a rear view thereof; FIG. 11 is a right side view thereof; FIG. 12 is a left side view thereof; FIG. 13 is a top view thereof; and, FIG. 14 is a bottom view thereof.

The broken lines immediately adjacent to the shaded area represent unclaimed boundaries of the design. The broken lines showing the remainder of the insulating device represent unclaimed subject matter and form no part of the claimed design.

1 Claim, 14 Drawing Sheets



(56)

References Cited

U.S. PATENT DOCUMENTS

2,927,712 A 3/1960 Armato, Sr.
 3,168,362 A 2/1965 Perkins
 3,302,358 A 2/1967 Jackson
 3,389,824 A 6/1968 Berchtold
 3,406,532 A 10/1968 Rownd
 3,979,007 A 9/1976 Thornbloom, Jr.
 4,024,731 A * 5/1977 Branscum B65D 81/3823
 215/385
 4,143,695 A 3/1979 Hoehn
 4,249,392 A 2/1981 Hotta
 4,537,044 A 8/1985 Putnam
 4,573,581 A 3/1986 Galloway et al.
 5,082,335 A 1/1992 Cur et al.
 5,175,975 A 1/1993 Benson et al.
 5,392,960 A 2/1995 Kendt et al.
 5,408,832 A 4/1995 Boffito et al.
 5,570,588 A 11/1996 Lowe
 5,780,521 A 7/1998 Shmidt et al.
 5,843,353 A 12/1998 De Vos et al.
 5,875,916 A 3/1999 Crockett, Sr. et al.
 5,896,641 A 4/1999 Yamada et al.
 5,943,876 A 8/1999 Meyer et al.
 3,003,719 A 12/1999 Stewart, III
 6,027,249 A 2/2000 Bielinski
 3,067,813 A 5/2000 Smith
 D429,966 S 8/2000 Israel et al.
 6,128,914 A 10/2000 Tamaoki et al.
 6,131,404 A 10/2000 Hase et al.
 6,220,473 B1 4/2001 Lehman et al.
 6,244,458 B1 6/2001 Frysinger et al.
 6,308,518 B1 10/2001 Hunter
 6,381,981 B1 5/2002 Yaddgo et al.
 6,397,620 B1 6/2002 Kelly et al.
 6,415,623 B1 7/2002 Jennings et al.
 6,457,323 B1 10/2002 Marotta
 6,488,172 B1 12/2002 Wenning et al.
 6,536,228 B1 3/2003 Hall
 6,938,968 B2 9/2005 Tanimoto et al.
 7,057,527 B2 6/2006 Hunter
 7,140,508 B2 11/2006 Kuhn et al.
 D544,756 S 6/2007 Jones et al.
 D544,757 S 6/2007 Jones et al.
 D544,758 S 6/2007 Jones et al.
 D544,759 S 6/2007 Jones et al.
 D547,129 S 7/2007 Jones et al.
 D547,617 S 7/2007 Jones et al.
 7,263,855 B2 9/2007 Meyer et al.
 D552,426 S 10/2007 Jones et al.
 7,669,436 B2 3/2010 Mogil et al.
 7,681,405 B2 3/2010 Williams
 7,722,204 B1 * 5/2010 Sandberg F25D 27/005
 362/155
 7,784,301 B2 8/2010 Sasaki et al.
 7,833,605 B2 11/2010 Tenra et al.
 7,937,958 B2 5/2011 Shinya et al.
 7,950,246 B1 5/2011 Mayer et al.
 8,176,749 B2 5/2012 LaMere et al.
 8,215,518 B2 7/2012 Hyde et al.
 8,381,939 B2 2/2013 Schultz et al.
 8,573,002 B2 11/2013 Ledoux et al.
 8,622,235 B2 1/2014 Suchecki
 8,763,423 B2 7/2014 Tattam
 8,763,847 B2 7/2014 Mortarotti
 8,800,795 B2 8/2014 Hwang
 8,875,934 B2 11/2014 Deka
 8,887,515 B2 11/2014 Patstone
 8,986,805 B2 3/2015 Yoon et al.
 9,022,249 B2 5/2015 Ranade
 9,139,352 B2 9/2015 Seiders et al.
 9,140,481 B2 9/2015 Cur et al.
 D744,786 S * 12/2015 Bagwell D7/605
 D745,809 S * 12/2015 Rowley D7/605
 9,272,475 B2 3/2016 Ranade et al.
 9,389,013 B2 7/2016 Rolek et al.
 9,464,751 B2 10/2016 Toshimitsu et al.

9,527,652 B2 12/2016 Furneaux et al.
 9,550,618 B1 1/2017 Jobe
 9,555,946 B1 1/2017 Warman
 2002/0130131 A1 9/2002 Zucker et al.
 2002/0144482 A1 10/2002 Henson et al.
 2003/0124300 A1 7/2003 Gregorio et al.
 2004/0185203 A1 9/2004 Gregorio et al.
 2004/0231355 A1 11/2004 Mayer
 2005/0189404 A1 9/2005 Xiaohai et al.
 2005/0205584 A1 9/2005 Degermann
 2006/0279947 A1 * 12/2006 Henley, Jr. F25D 27/00
 362/154
 2007/0125118 A1 6/2007 Hooper
 2007/0217187 A1 9/2007 Blakely et al.
 2008/0127668 A1 6/2008 DeVito et al.
 2008/0178629 A1 7/2008 Meether
 2009/0001086 A1 1/2009 Roderick et al.
 2009/0032541 A1 2/2009 Rogala et al.
 2009/0071088 A1 3/2009 Viegas et al.
 2009/0126600 A1 5/2009 Zupancich et al.
 2010/0326993 A1 12/2010 Mayer et al.
 2011/0147391 A1 6/2011 Corder et al.
 2011/0248038 A1 10/2011 Mayer
 2012/0225236 A1 9/2012 Cox
 2012/0237715 A1 9/2012 McCracken
 2012/0297813 A1 11/2012 Hanley et al.
 2012/0318808 A1 12/2012 McCormick
 2013/0033854 A1 * 2/2013 Statham F25D 27/00
 362/154
 2013/0140317 A1 6/2013 Roskoss
 2013/0248649 A1 9/2013 Burd
 2014/0008374 A1 1/2014 Lubart et al.
 2014/0151382 A1 6/2014 White et al.
 2015/0166244 A1 6/2015 Wood et al.
 2015/0259126 A1 9/2015 McGoff et al.
 2015/0284169 A1 10/2015 Nehring
 2015/0369529 A1 12/2015 Monroe
 2016/0039594 A1 2/2016 Ranade
 2016/0090227 A1 3/2016 Miller
 2016/0187045 A1 6/2016 McGarry
 2016/0230918 A1 8/2016 Kim et al.
 2016/0244239 A1 8/2016 Nash
 2017/0121097 A1 5/2017 Pranadi et al.

FOREIGN PATENT DOCUMENTS

CN 102748558 A 10/2012
 CN 202463019 U 10/2012
 CN 202594113 U 12/2012
 CN 104964124 A 10/2015
 CN 303435939 S 11/2015
 DE 202004016939 U1 3/2005
 EP 1505359 A1 2/2005
 EP 2022728 A1 2/2009
 EP 2883812 A1 6/2015
 GB 2222791 A 3/1990
 JP 2005035632 A 2/2005
 JP 2007246097 A 9/2007
 WO 9711842 A1 4/1997
 WO 2016070956 A1 5/2016
 WO 2016181111 A1 11/2016

OTHER PUBLICATIONS

60 Qt. Stainless Steel Party Cooler by Oakland Living, retrieved from Internet Jul. 6, 2017, URL: <https://www.wayfair.com/Oakland-Living-60-Qt.-Stainless-Steel-Party-Cooler-OAA2986.html>, 5 pp.
 80 Qt. Stainless Steel Rolling Cooler with Cover by Trinity, retrieved from Internet Jul. 6, 2017, URL: <https://www.wayfair.com/Trinity-80-Qt.-Stainless-Steel-Rolling-Cooler-with-Cover-TTY1173.html>, 5 pp.
 Coleman Steel Belted Review, retrieved from Internet Jul. 6, 2017, URL: <http://www.coolersonsale.com/coleman-steel-belted>, 10 pp.
 Igloo Stainless Steel 54-Quart Cooler, retrieved from Internet Feb. 5, 2018, URL: <https://www.igloocoolers.com/products/44669-legacy-stainless-steel-54-qt-cooler-stainless>, 4 pp.

(56)

References Cited

OTHER PUBLICATIONS

Kitchenall Beverage Air DW64-S Deep Well Beer Cooler, Stainless Steel, retrieved from Internet Jul. 6, 2017, URL: <https://www.kitchenall.com/beverage-air-dw64-s.html>, 3 pp.

Koolatron 54-Qt Corona Stainless Steel Ice Chest Cooler, retrieved from Internet Jul. 6, 2017, URL: https://www.wayfair.com/Koolatron-54-Qt.-Corona-Stainless-Steel-Ice-Chest_Cooler-KOO1576.html, 4 pp.

Portable Plastic Inner Ice Box Refrigerated Cooler box by Shengshi, retrieved from Internet Jul. 7, 2017, URL: https://www.alibaba.com/product-detail/Portable-Plastic-Inner-Ice-Box-Regrigerated_1073478882.html?s=p, 7 pp.

Vintage Beer Cooler, retrieved from Internet Jul. 6, 2017, URL: <http://www.ebay.com/bhp/vintage-beer-cooler>, 8 pp.

* cited by examiner

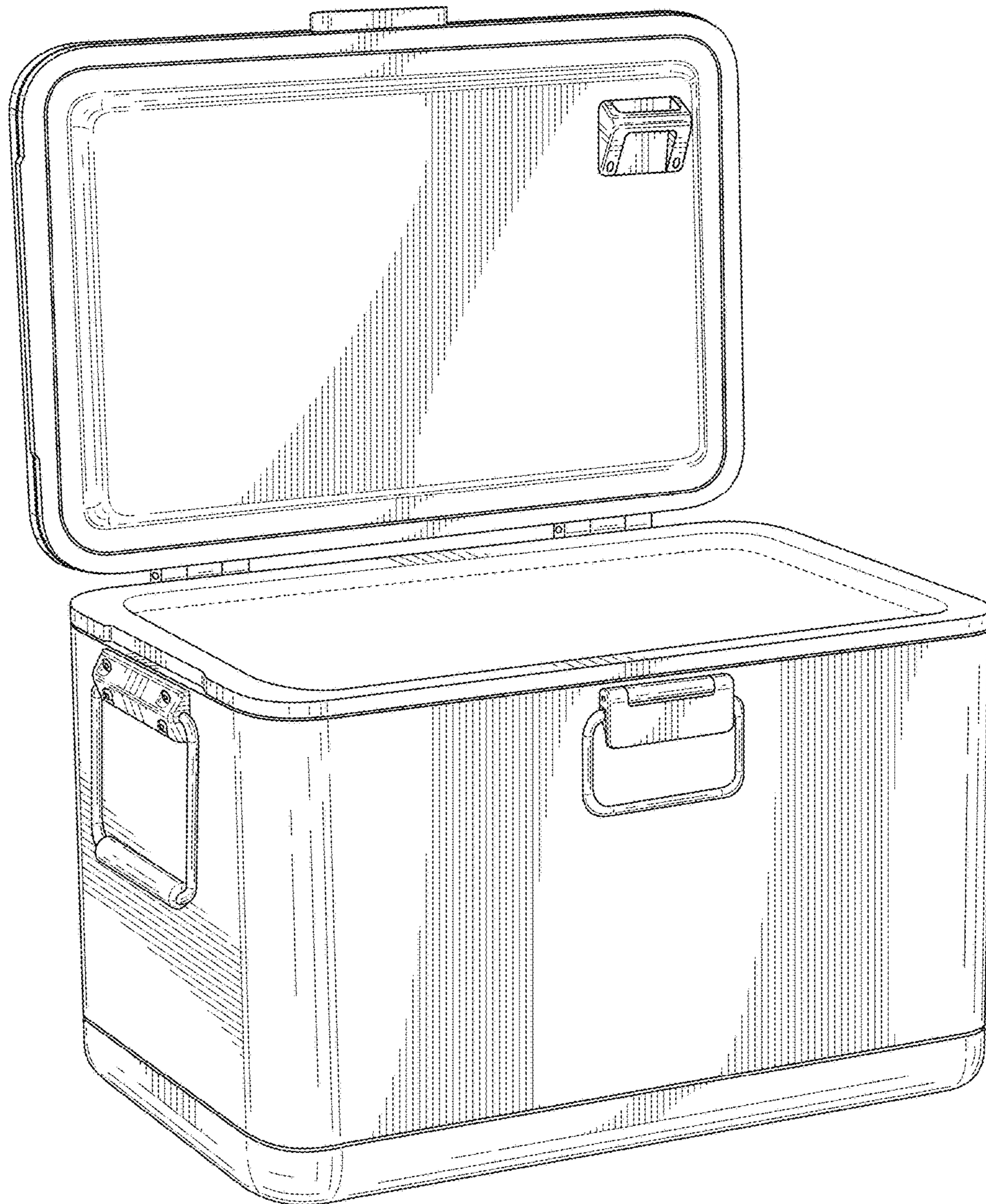


FIG. 1

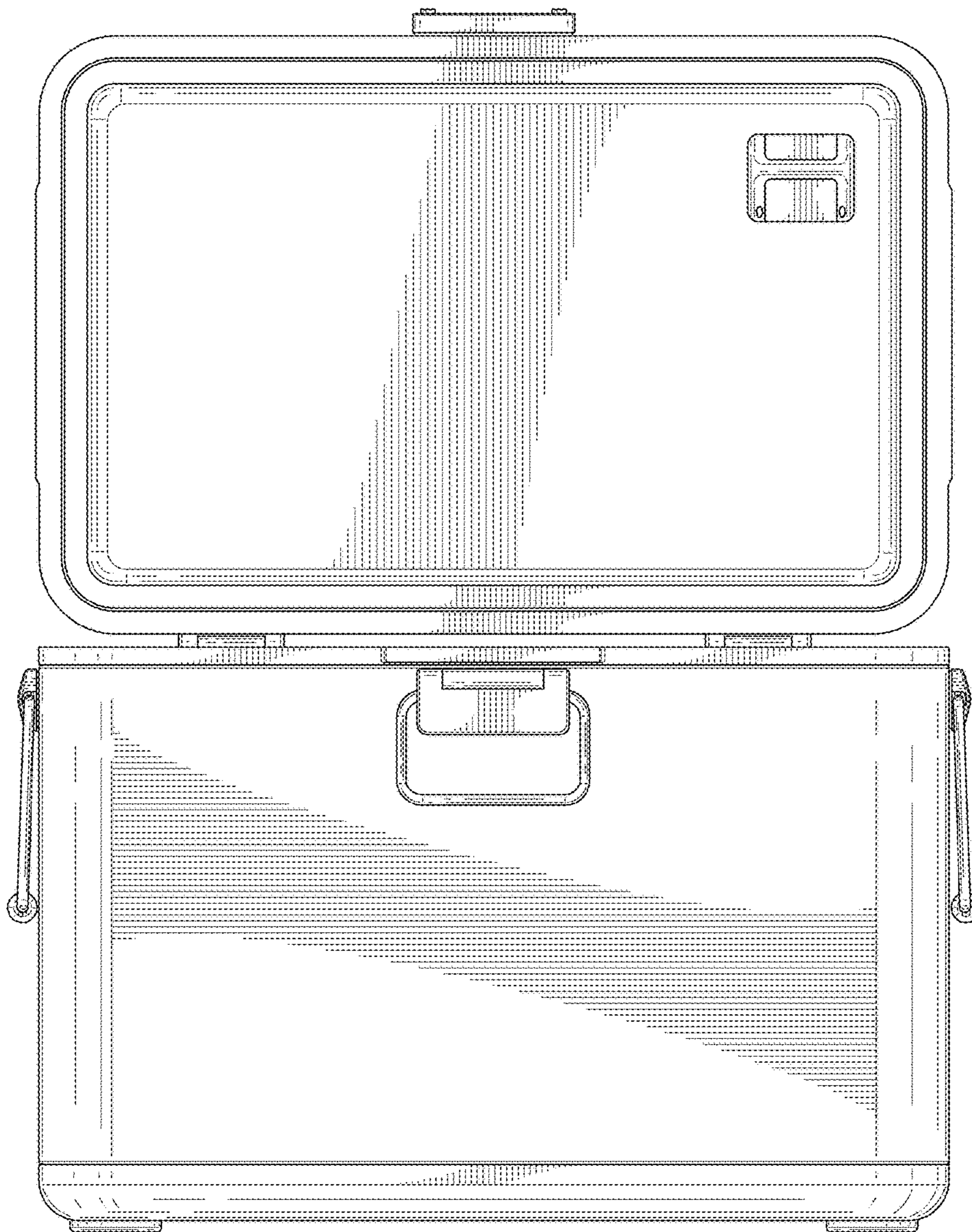


FIG. 2

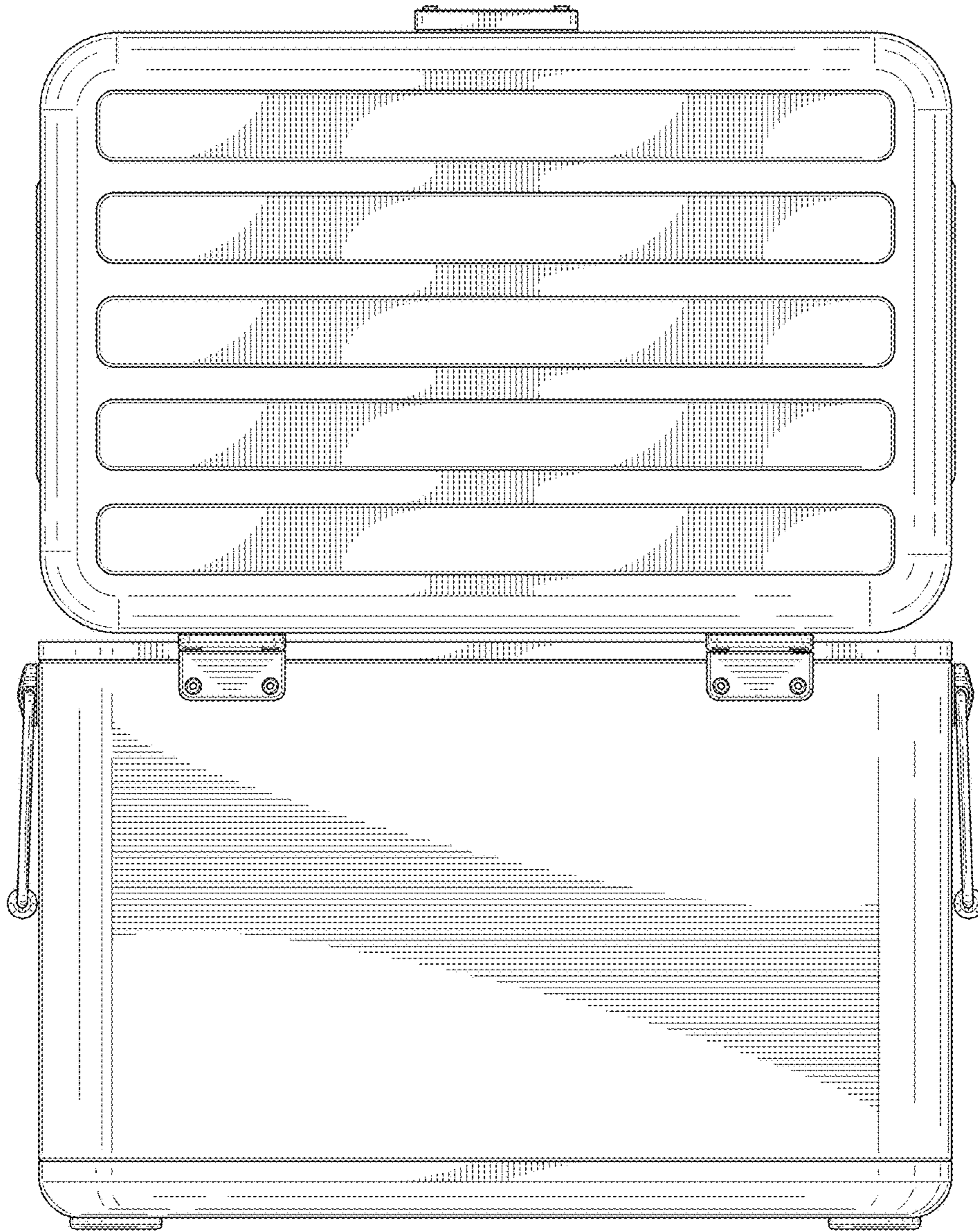


FIG. 3

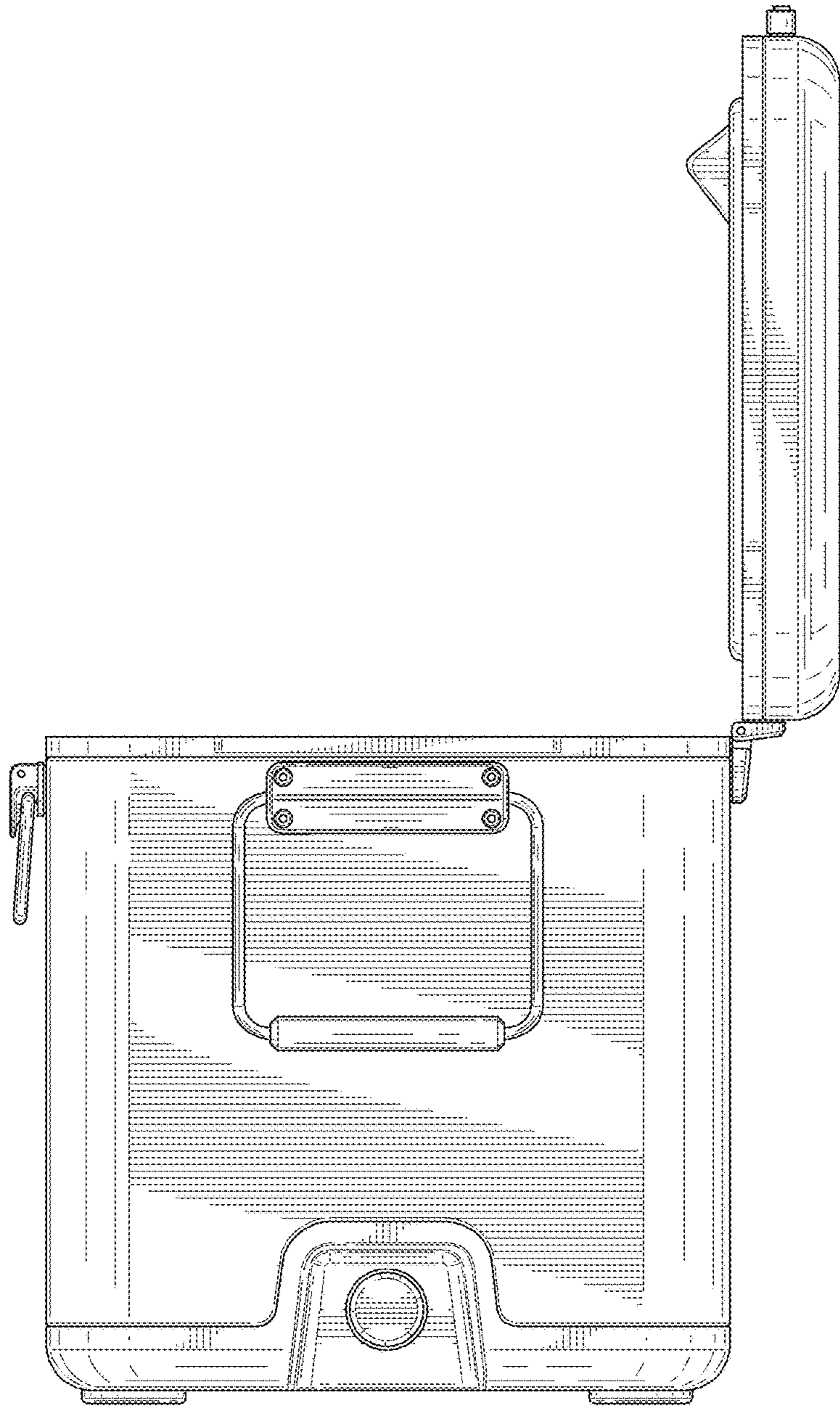


FIG. 4

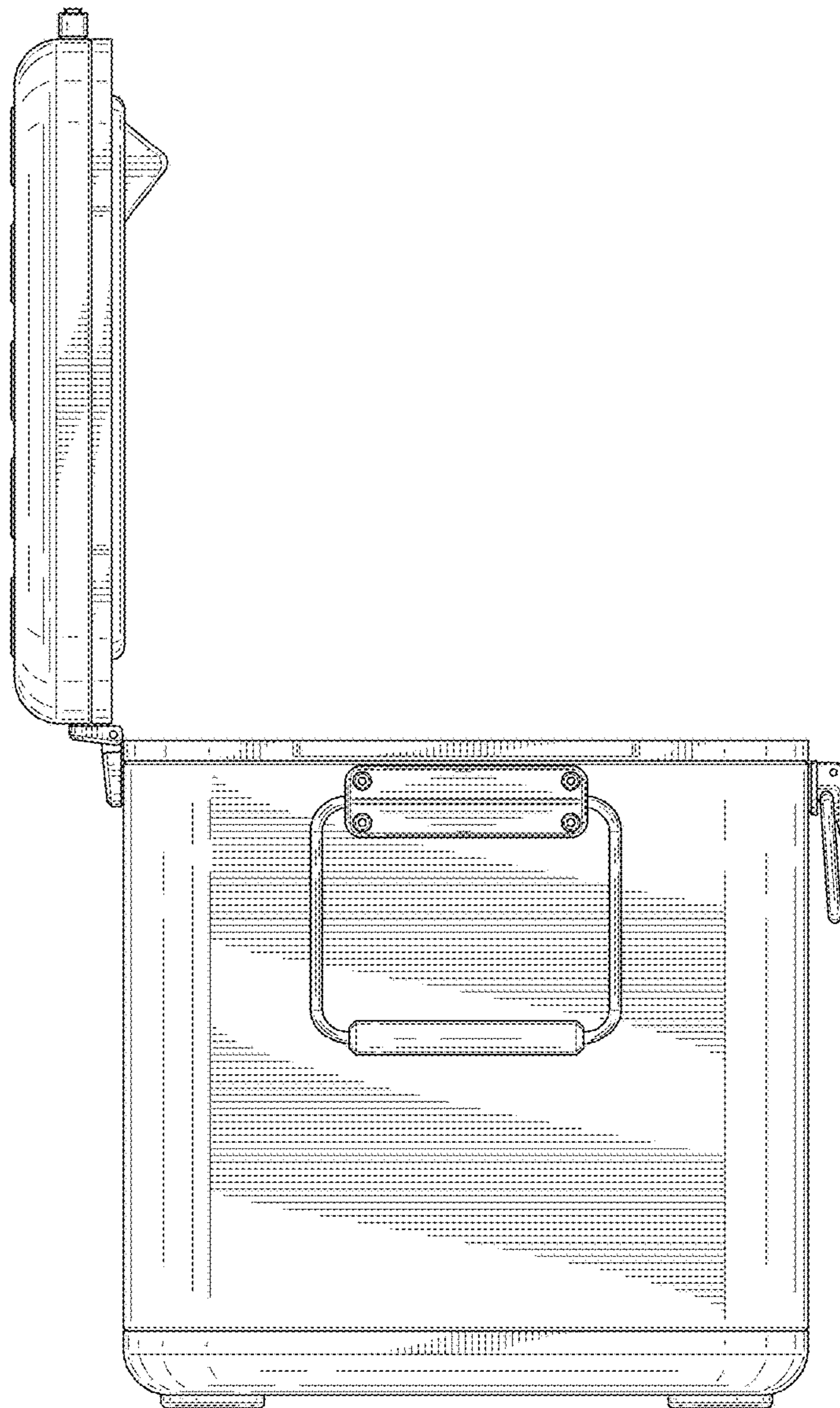


FIG. 5

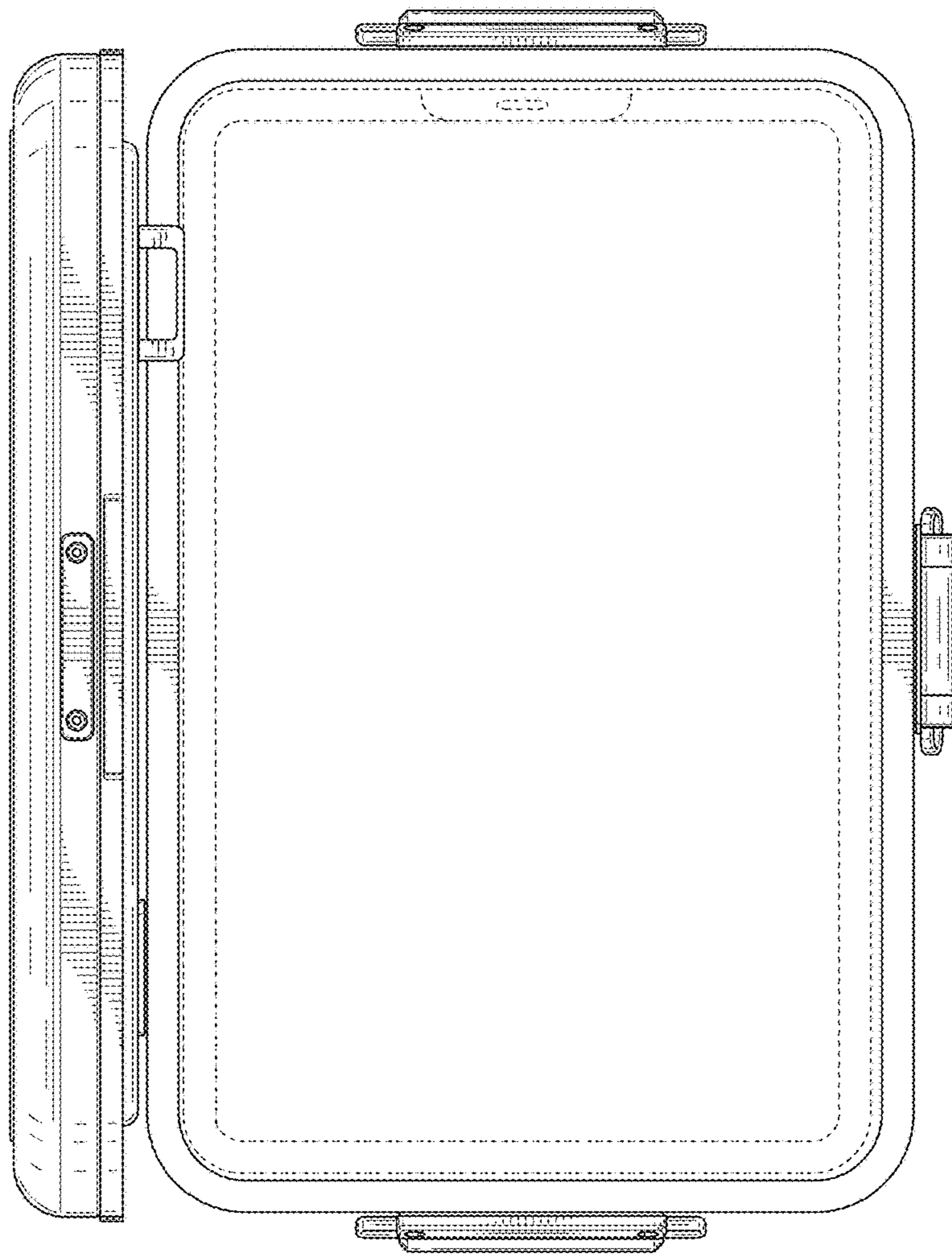


FIG. 6

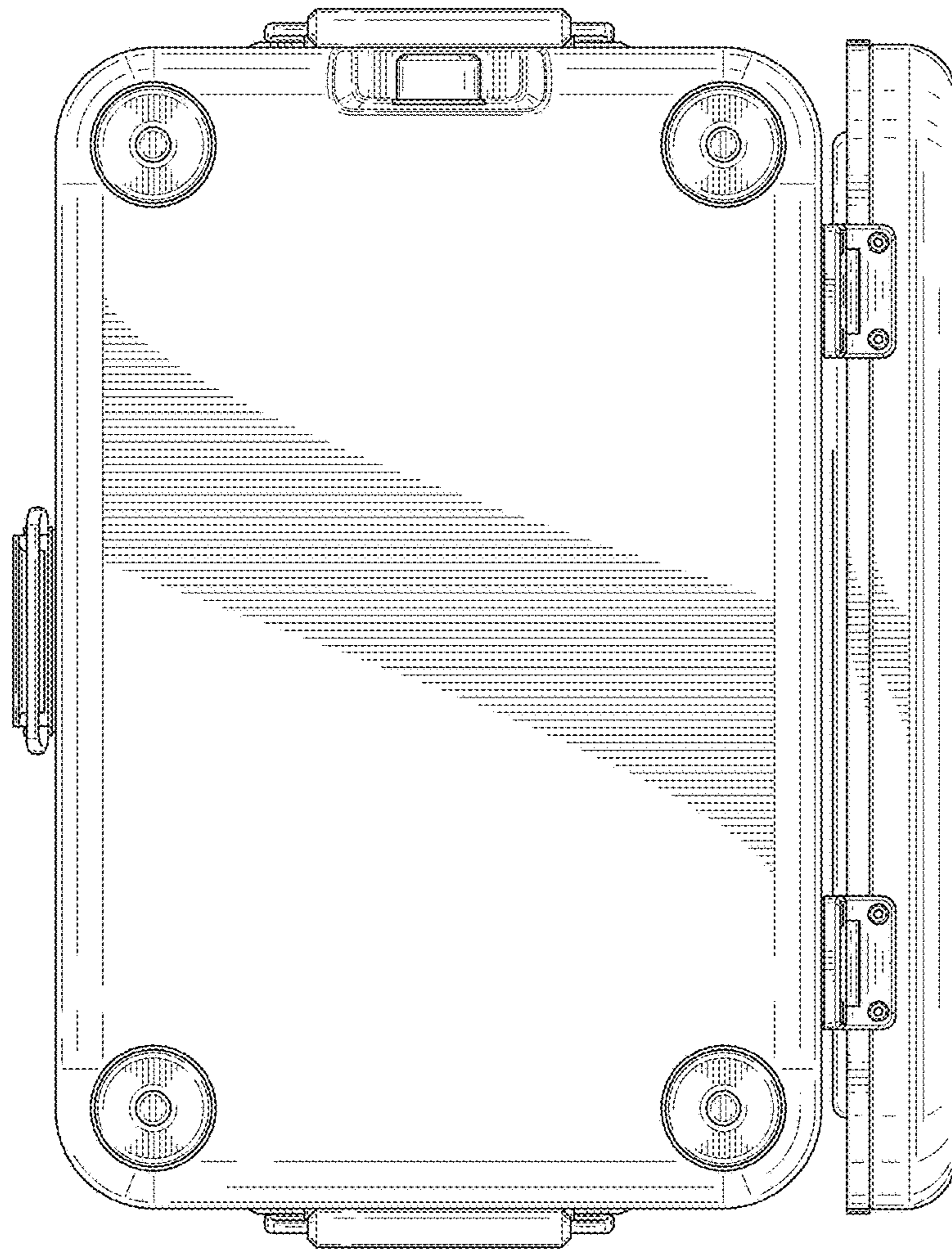


FIG. 7

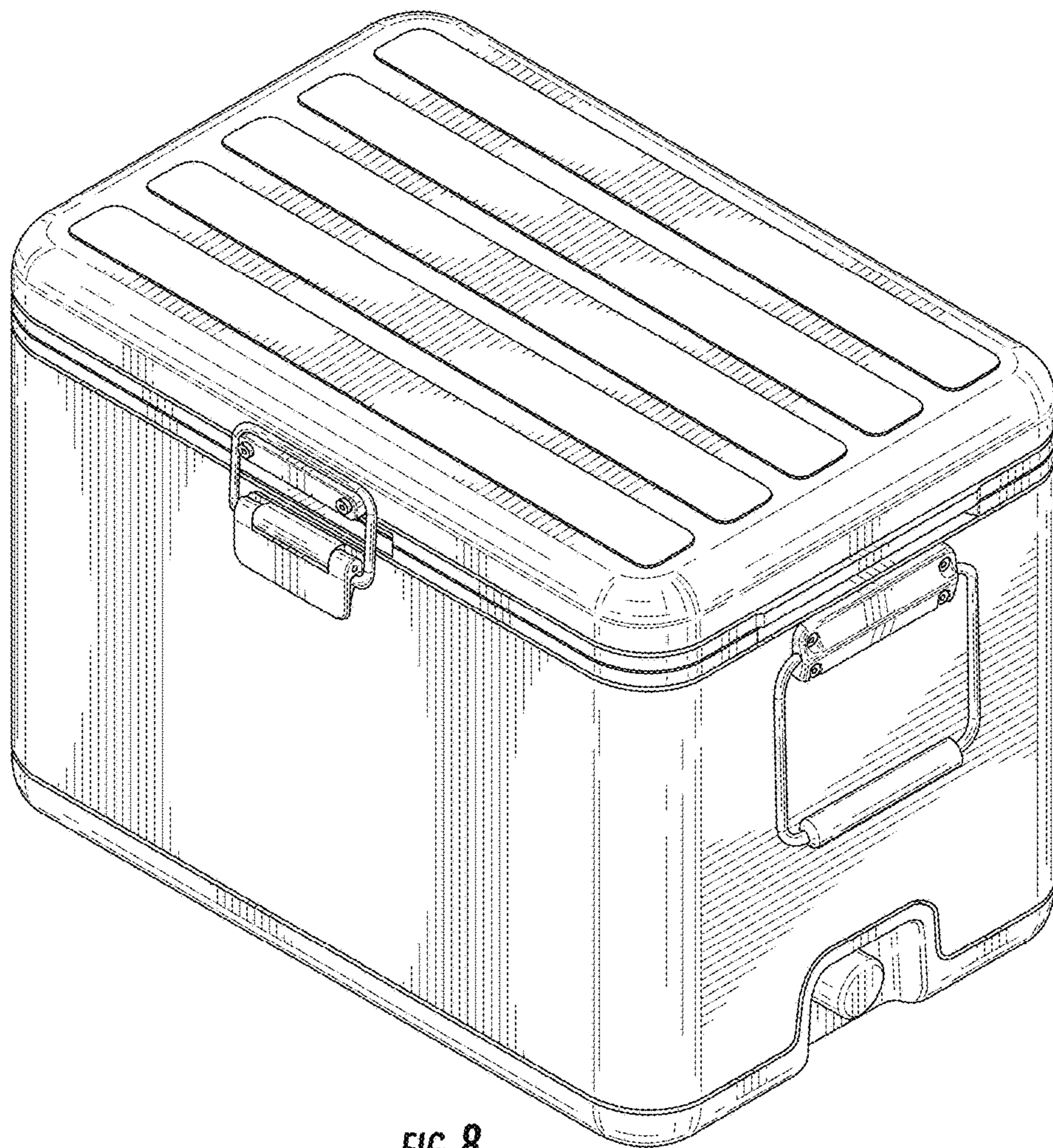


FIG. 8

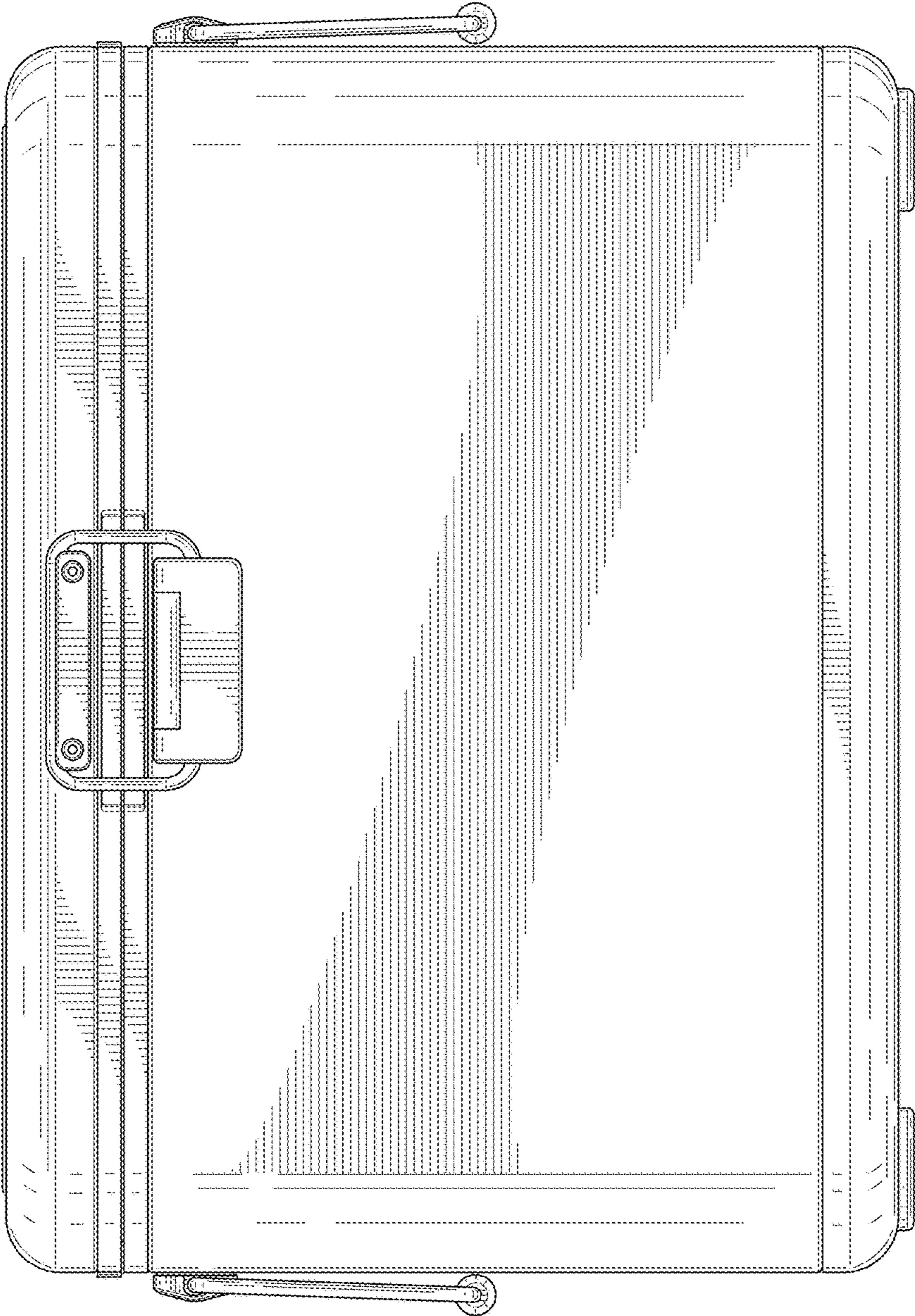


FIG. 9

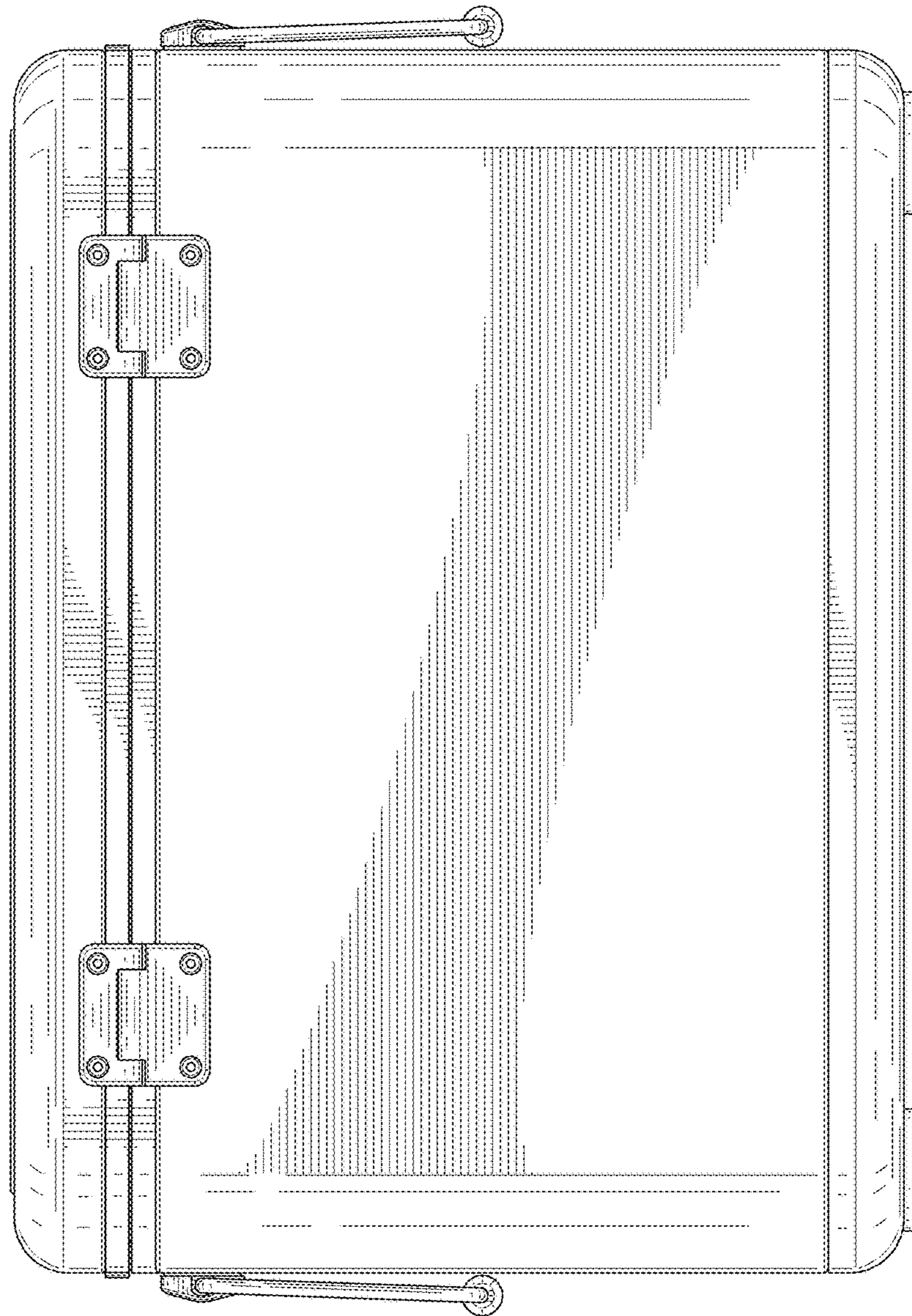


FIG. 10

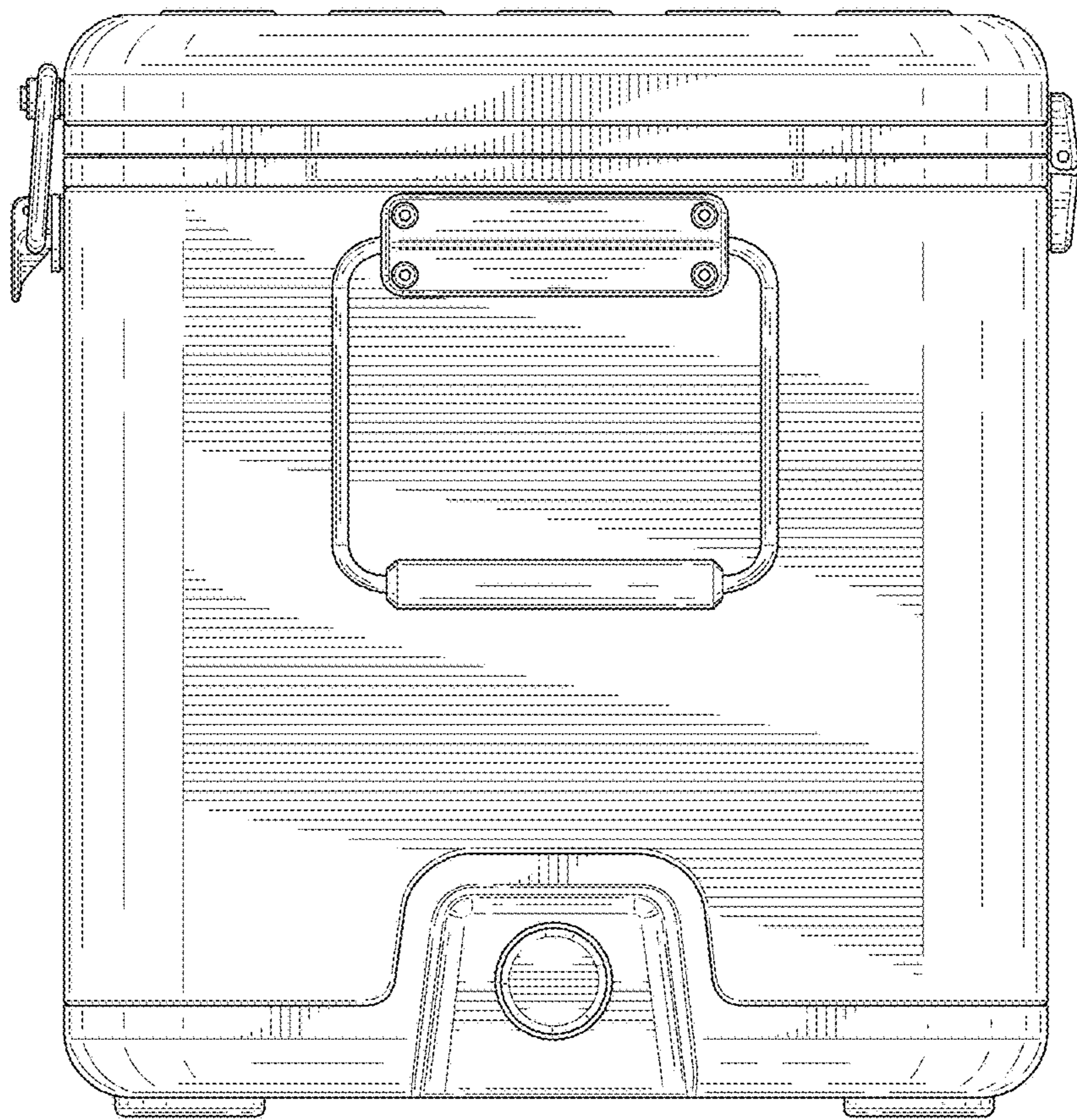


FIG. 11

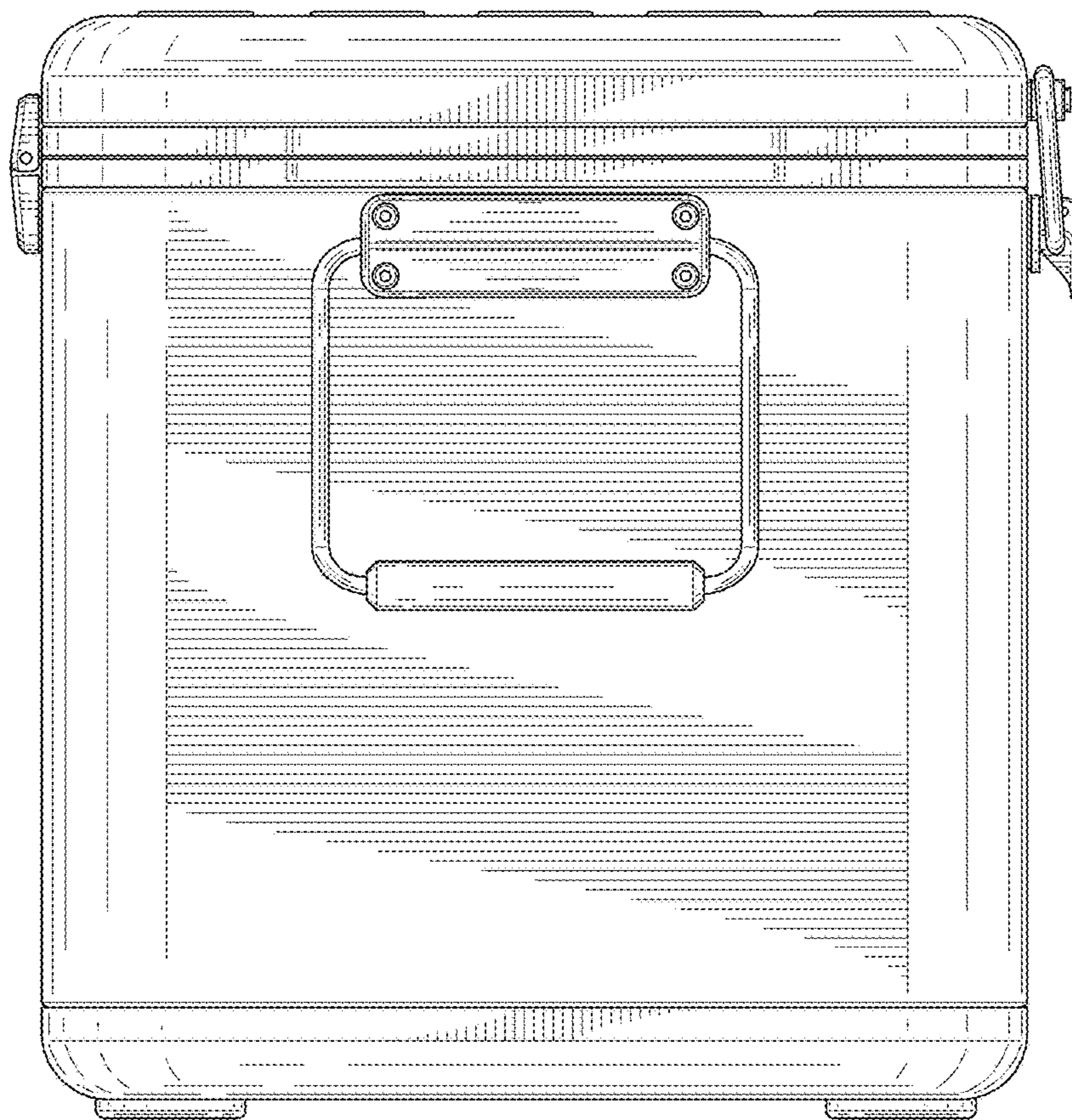


FIG. 12

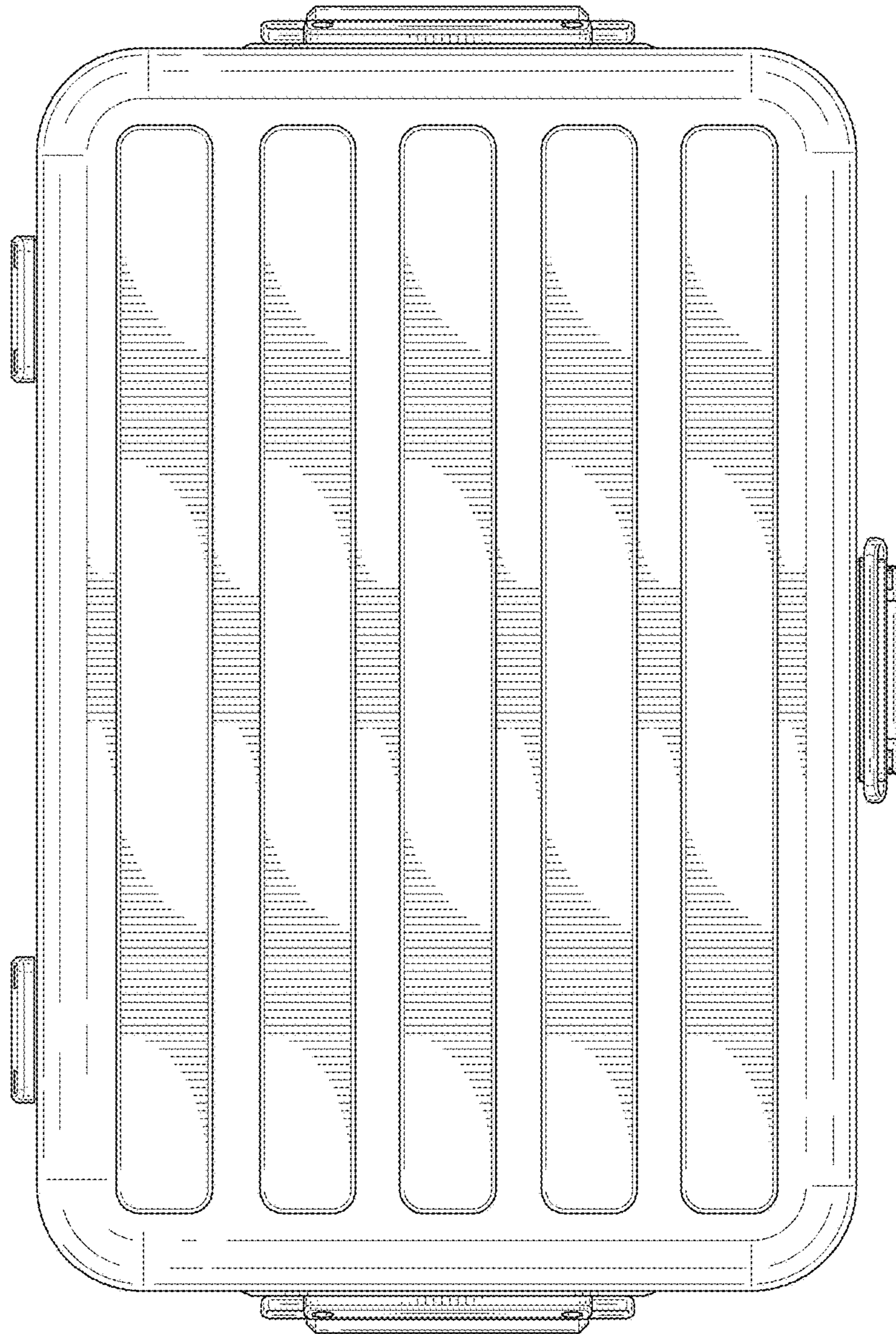


FIG. 13

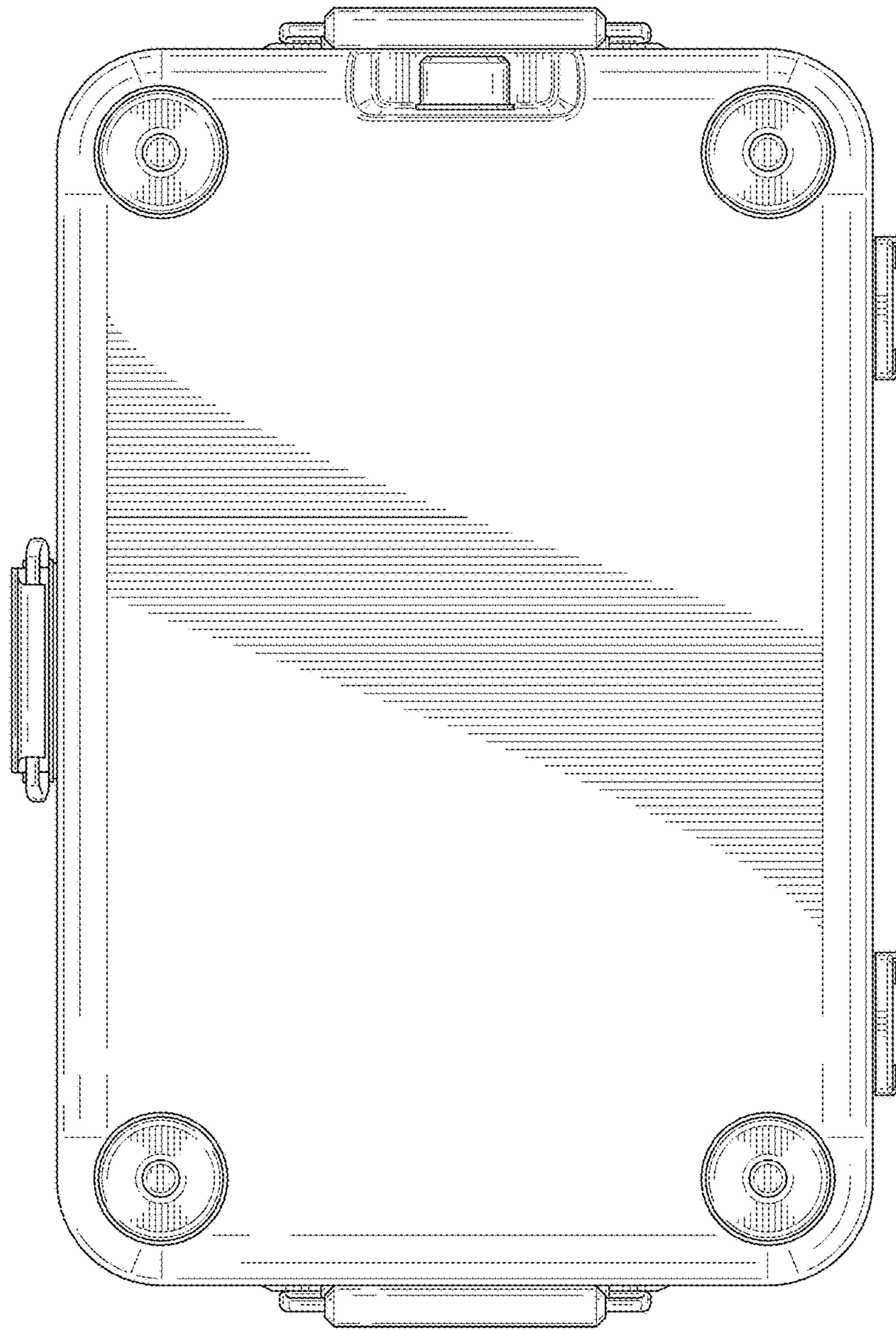


FIG. 14