



US00D821154S

(12) **United States Design Patent**  
**Lane et al.**

(10) **Patent No.:** **US D821,154 S**  
(45) **Date of Patent:** **\*\* Jun. 26, 2018**

(54) **COOLER**

(71) Applicant: **THERMOS L.L.C.**, Schaumburg, IL (US)

(72) Inventors: **Marvin Lane**, Wheeling, IL (US);  
**Dwayne Boroski**, Lake in the Hills, IL (US)

(73) Assignee: **Thermos L.L.C.**, Schaumburg, IL (US)

(\*\*) Term: **15 Years**

(21) Appl. No.: **29/598,483**

(22) Filed: **Mar. 27, 2017**

(51) **LOC (11) Cl.** ..... **07-06**

(52) **U.S. Cl.**

USPC ..... **D7/605**

(58) **Field of Classification Search**

USPC ..... D7/605, 607, 608, 630, 629, 703;  
D3/273, 276, 279, 282, 284, 289, 902,  
D3/901, 274, 232, 233, 246

CPC ..... B65D 81/3813; B65D 81/3823; B65D  
81/3888; B65D 81/3816; A45C 11/20;  
F25B 19/00

See application file for complete search history.

(56) **References Cited**

**U.S. PATENT DOCUMENTS**

D269,398 S	*	6/1983	Ruxton	.....	D7/605
D281,695 S	*	12/1985	Ryan, Jr.	.....	D7/605
D283,480 S	*	4/1986	Bailey	.....	D7/605
D290,080 S	*	6/1987	Carlson	.....	D7/605

(Continued)

*Primary Examiner* — Jennifer Rivard  
*Assistant Examiner* — April Rivas

(74) *Attorney, Agent, or Firm* — Polsinelli PC

(57) **CLAIM**

The ornamental design for a cooler, as shown and described.

**DESCRIPTION**

FIG. 1 is a front and top perspective view of the first embodiment of the cooler;

FIG. 2 is a front and bottom perspective view of the first embodiment of the cooler;

FIG. 3 is a front view of the first embodiment of the cooler;

FIG. 4 is a rear view of the first embodiment of the cooler;

FIG. 5 is a left side view of the first embodiment of the cooler;

FIG. 6 is a right side view of the first embodiment of the cooler;

FIG. 7 is a top view of the first embodiment of the cooler;

FIG. 8 is a bottom view of the first embodiment of the cooler;

FIG. 9 is a front and top perspective view of the second embodiment of the cooler;

FIG. 10 is a front and bottom perspective view of the second embodiment of the cooler;

FIG. 11 is a front view of the second embodiment of the cooler;

FIG. 12 is a rear view of the second embodiment of the cooler;

FIG. 13 is a left side view of the second embodiment of the cooler;

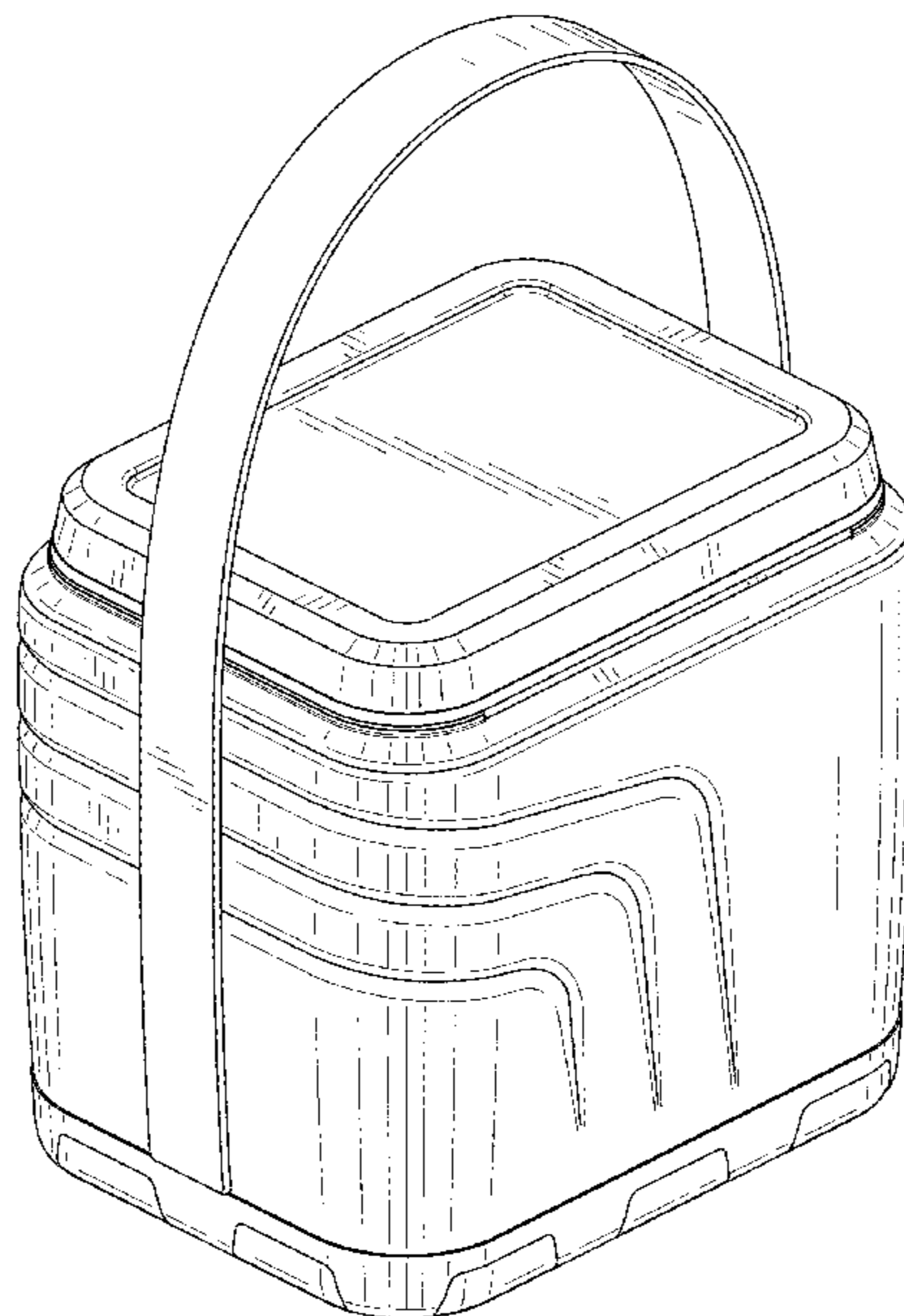
FIG. 14 is a right side view of the second embodiment of the cooler;

FIG. 15 is a top view of the second embodiment of the cooler; and,

FIG. 16 is a bottom view of the second embodiment of the cooler.

The broken lines showing in the figures are included for the purpose of illustrating portions of the cooler that form no part of the claimed design. The dash-dot lines showing in the figures are included for defining the bounds of the claimed design that form no part thereof.

**1 Claim, 16 Drawing Sheets**



(56)

**References Cited**

U.S. PATENT DOCUMENTS

D305,714 S \* 1/1990 Carlson ..... D7/605  
D311,476 S \* 10/1990 Kumakura ..... D7/605  
D337,232 S \* 7/1993 Kahl ..... D7/605  
5,299,732 A \* 4/1994 Armor ..... B65D 5/46024  
229/117.22  
5,329,787 A \* 7/1994 Friday ..... F25D 3/08  
62/372  
5,501,338 A \* 3/1996 Preston ..... A45C 11/20  
206/499  
D400,053 S \* 10/1998 Coffee ..... D7/605  
5,860,281 A \* 1/1999 Coffee ..... A45C 11/20  
312/298  
D619,423 S \* 7/2010 Koehler ..... D7/607  
D651,860 S \* 1/2012 Nie ..... D7/605  
D688,559 S \* 8/2013 Fleischhacker ..... D9/543  
D780,525 S \* 3/2017 Jacobsen ..... D7/607  
D781,106 S \* 3/2017 Boroski ..... D7/511

\* cited by examiner

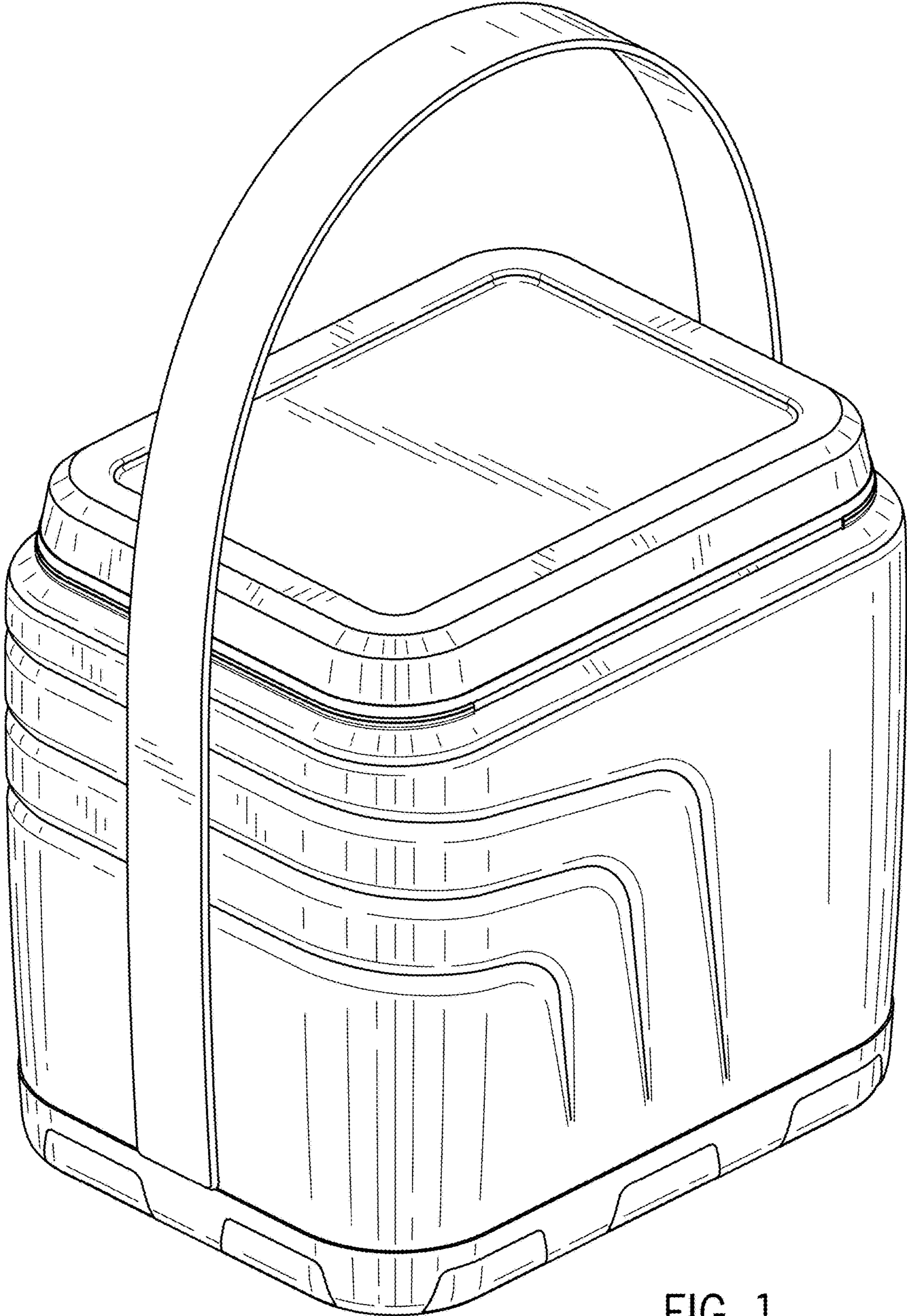


FIG. 1



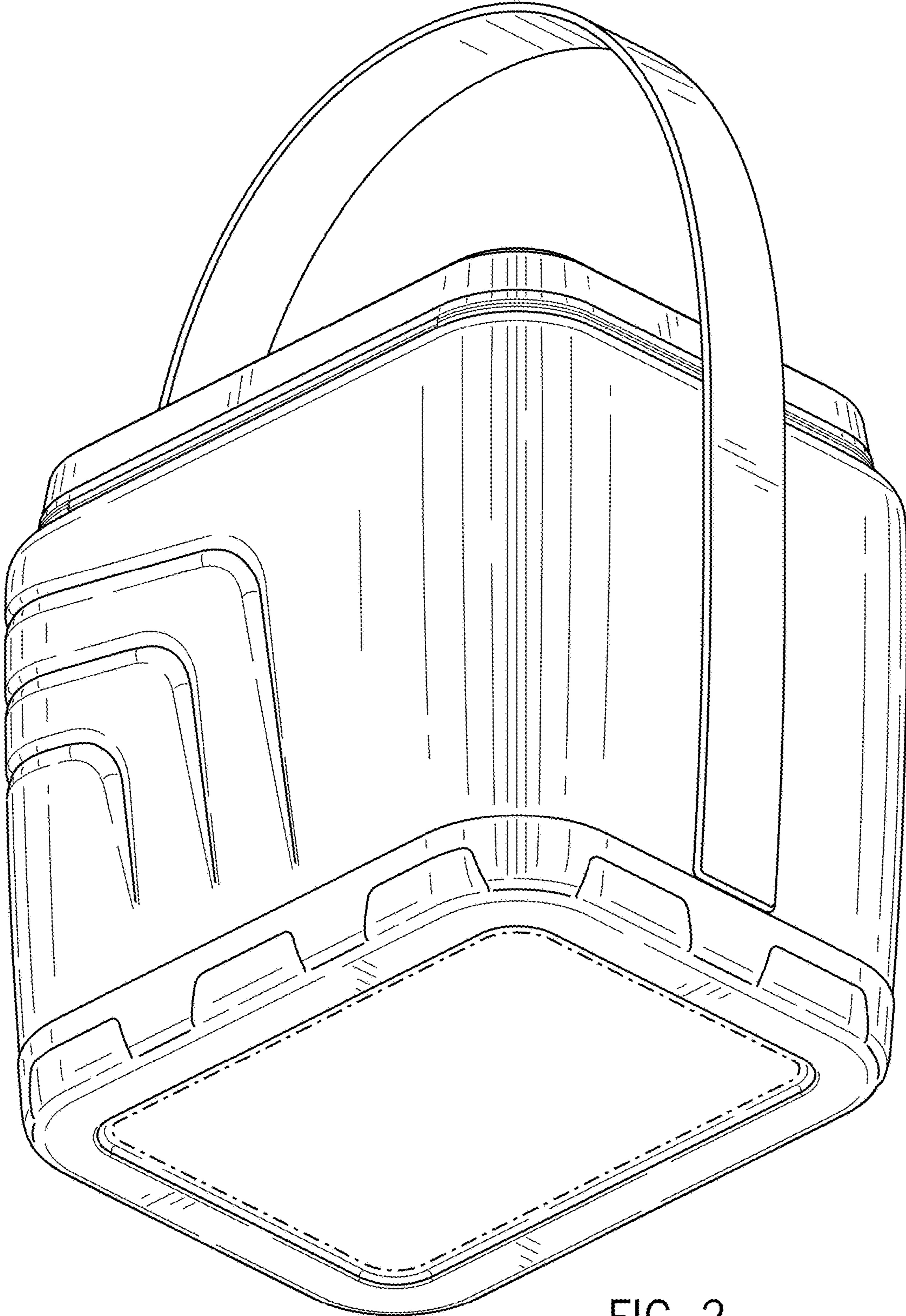


FIG. 2

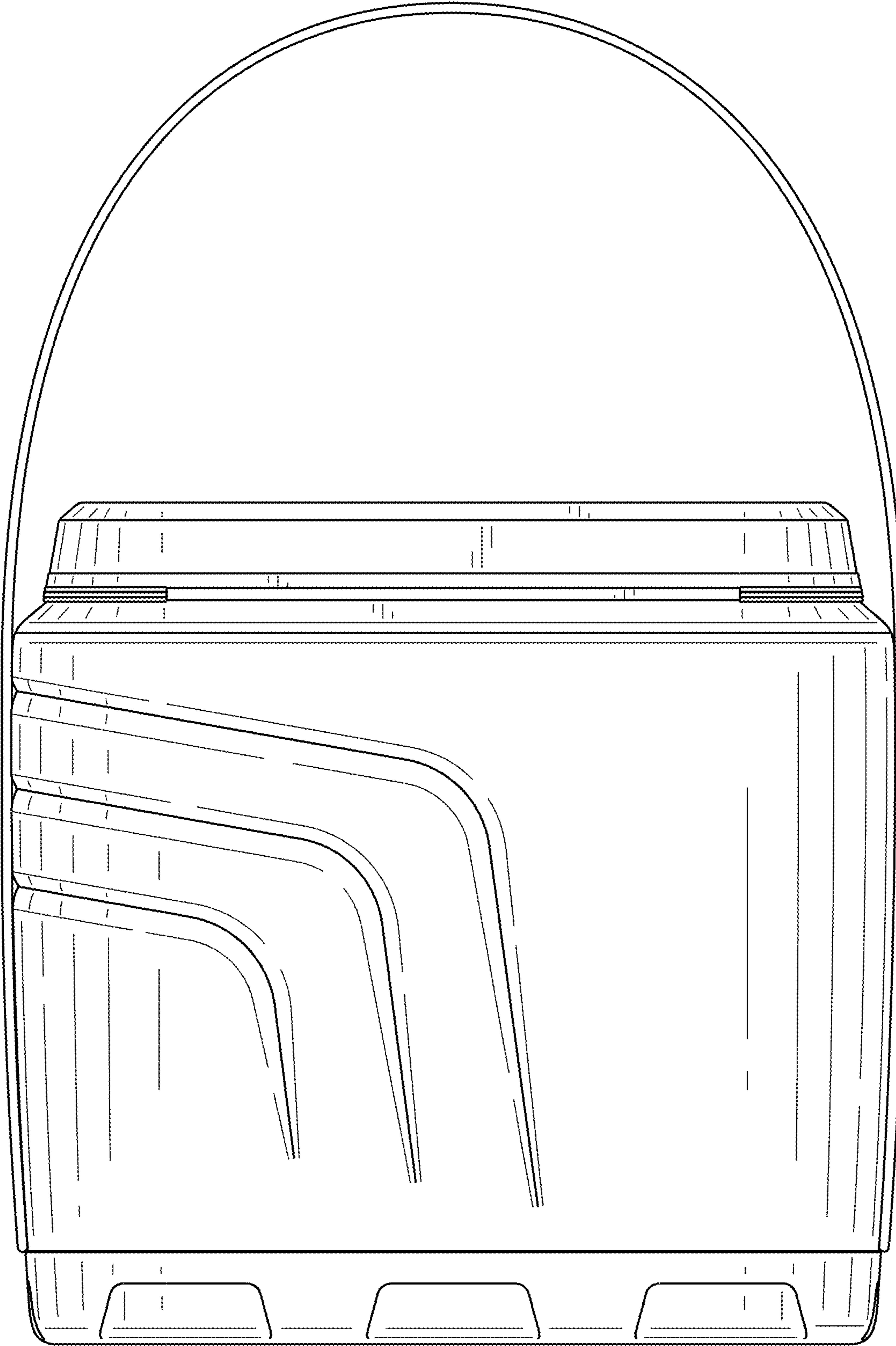


FIG. 3

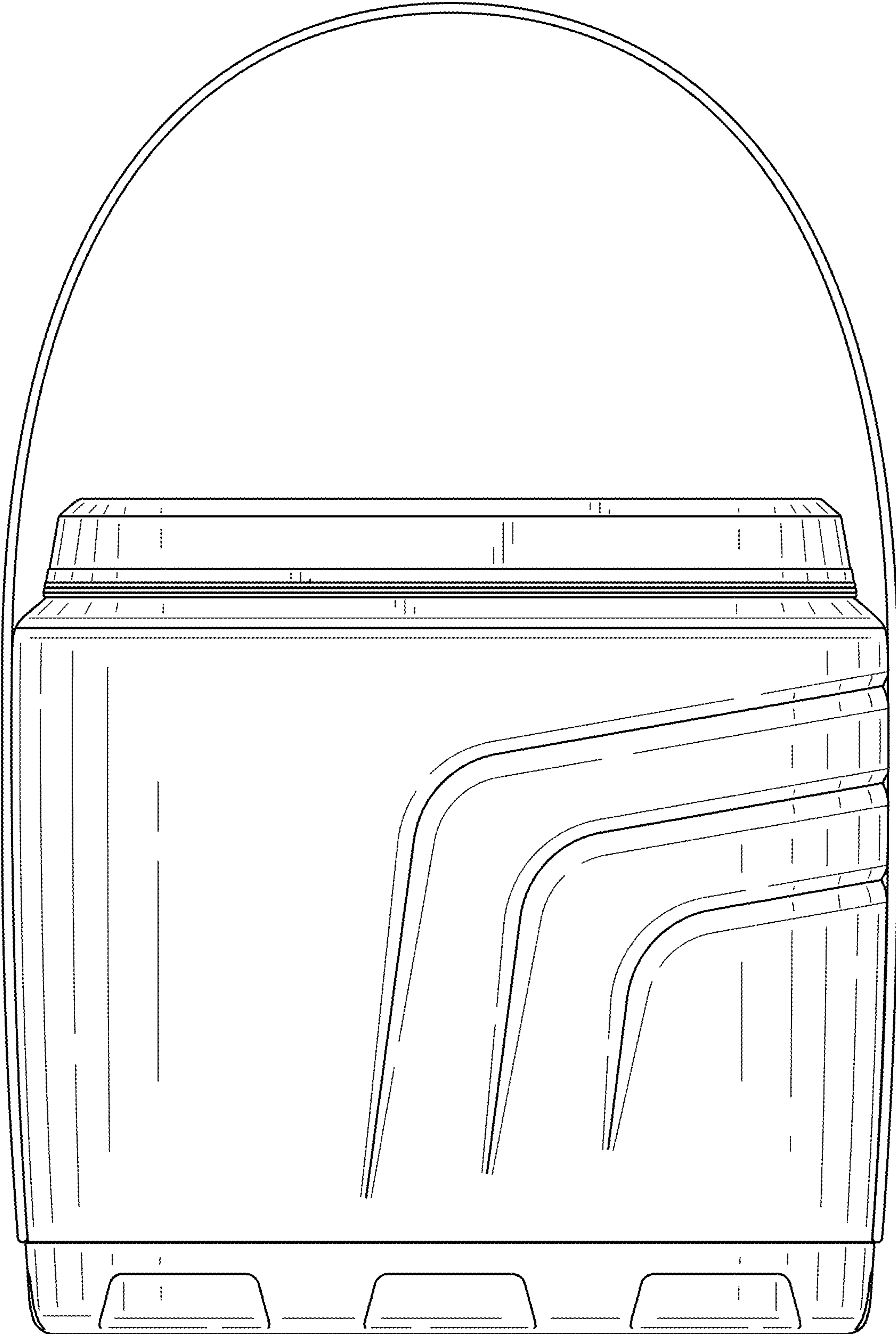


FIG. 4

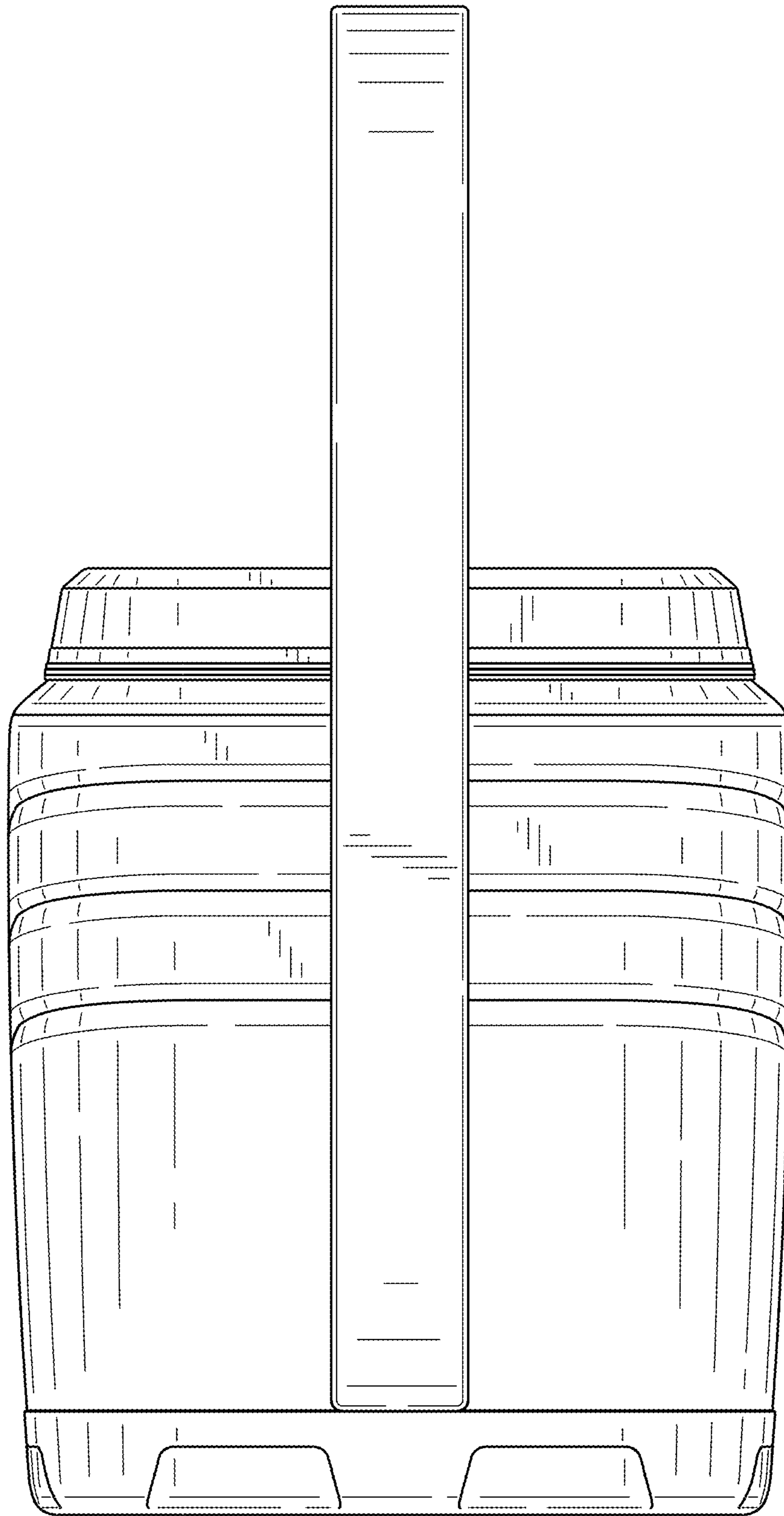


FIG. 5

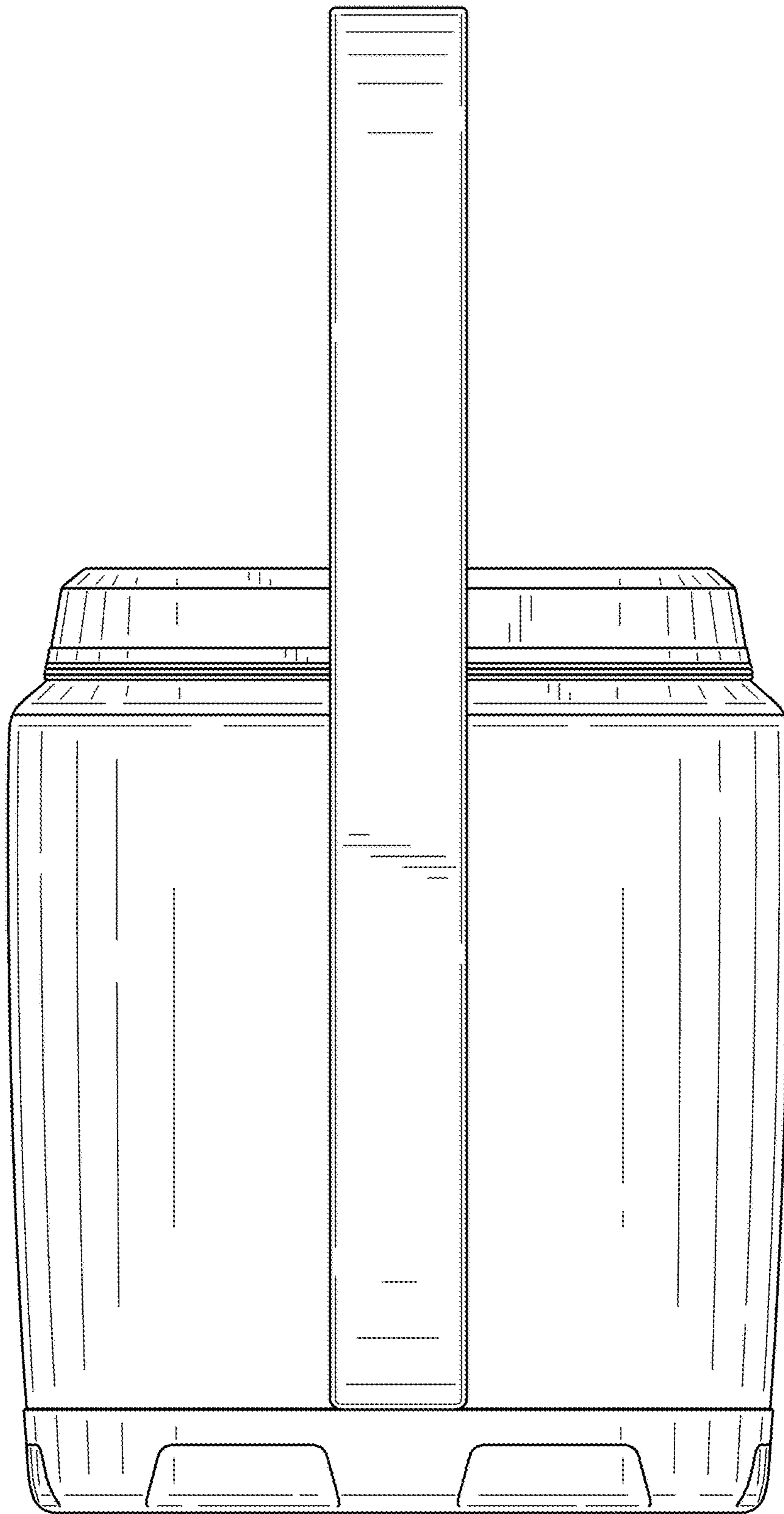


FIG. 6



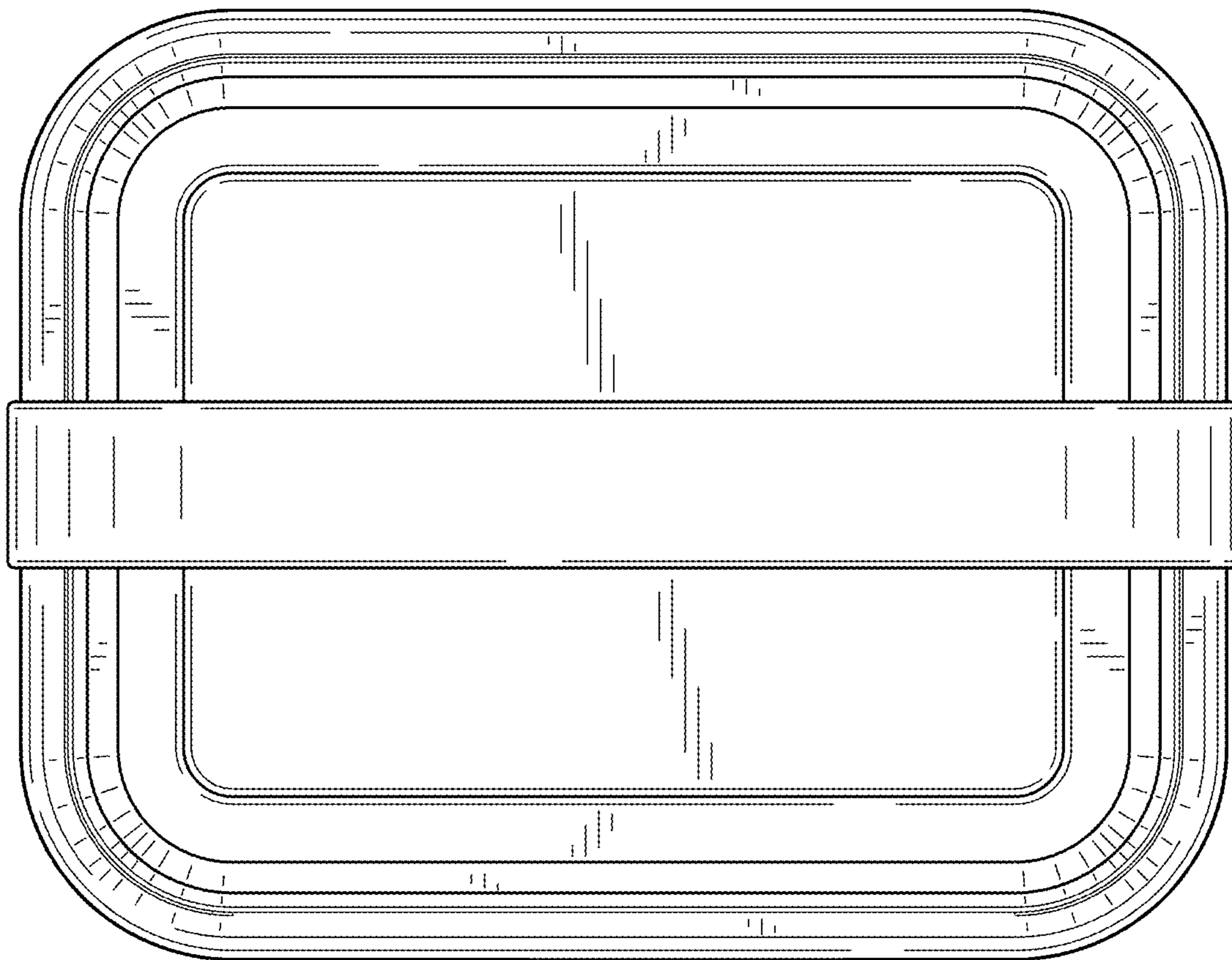


FIG. 7

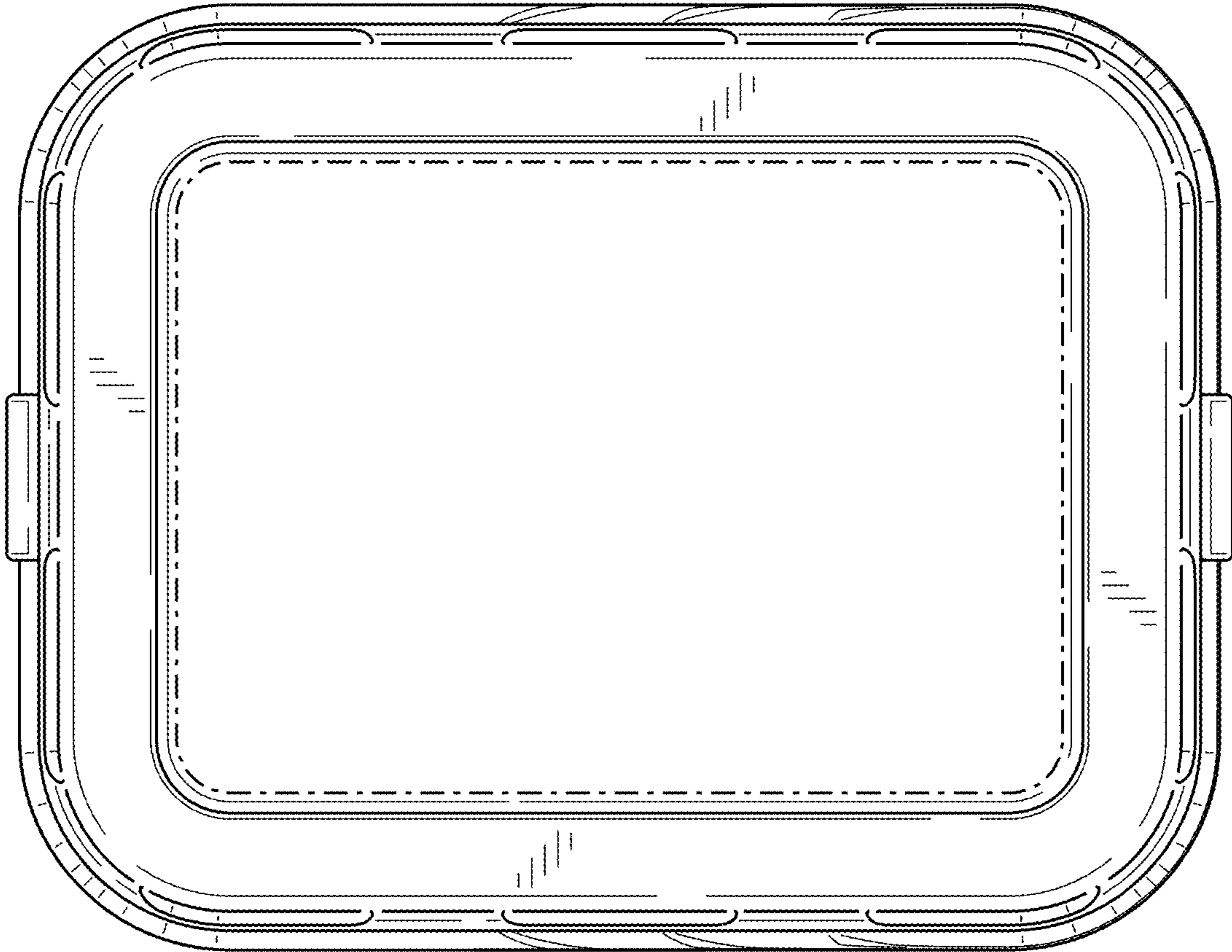


FIG. 8

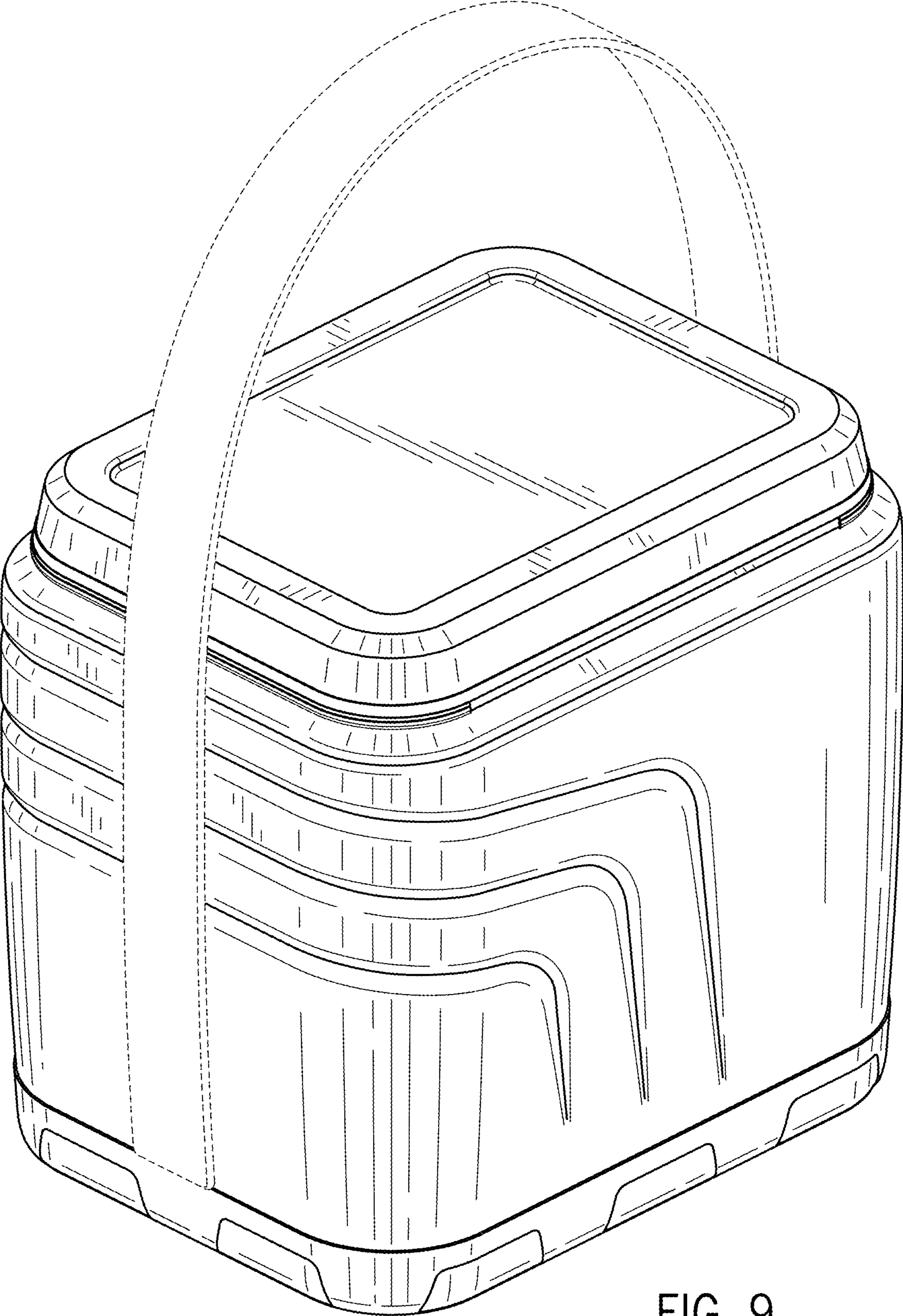


FIG. 9

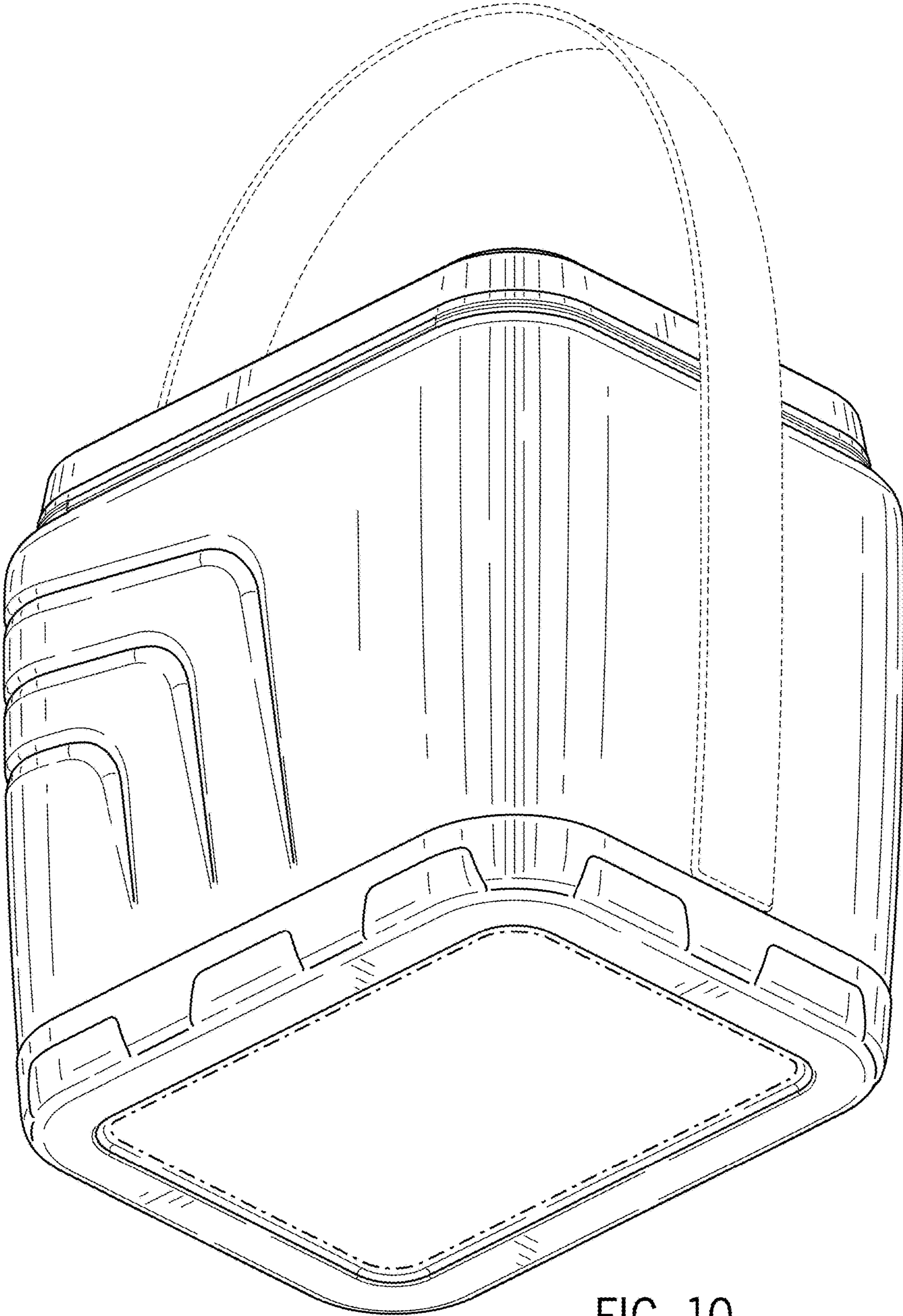


FIG. 10



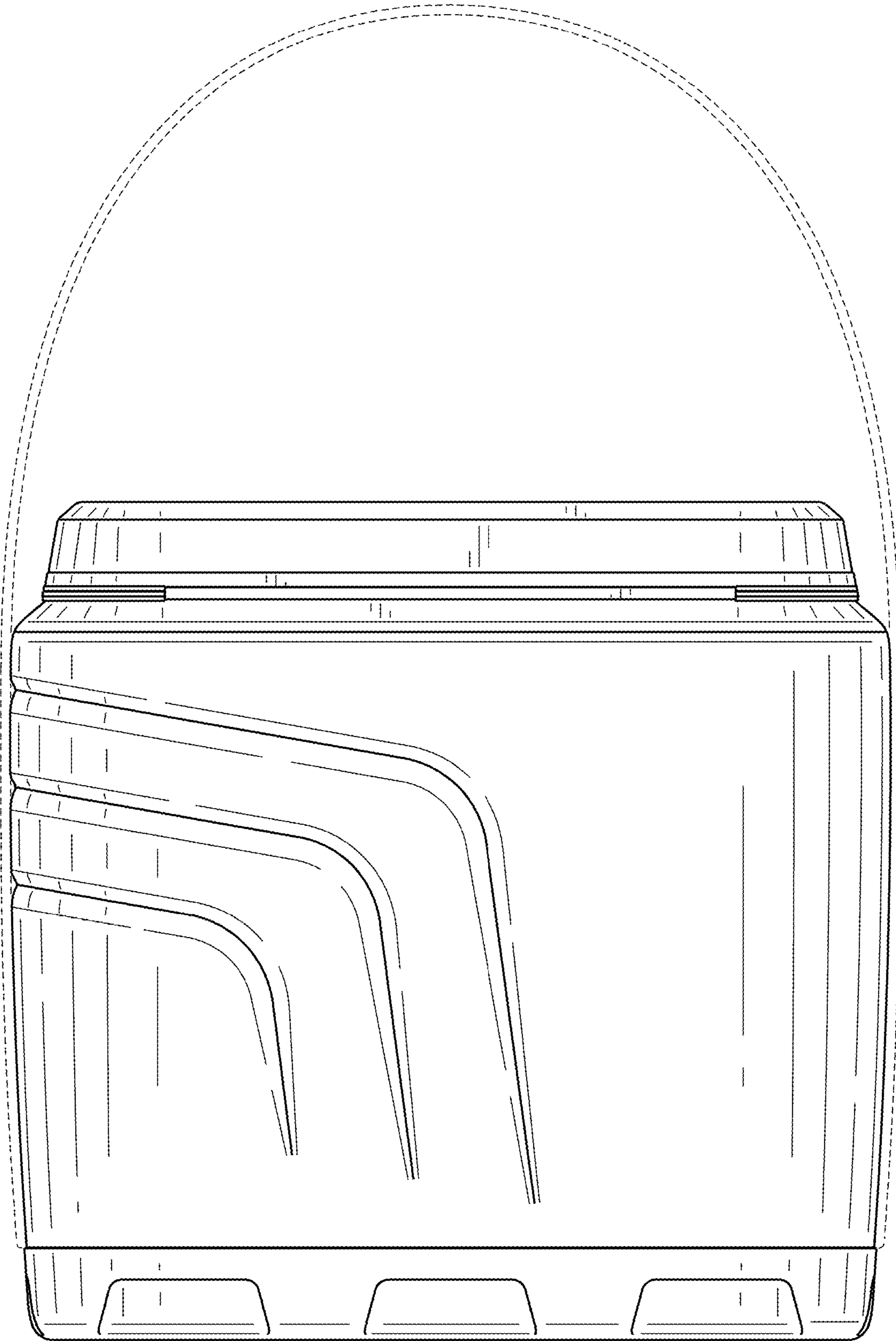


FIG. 11

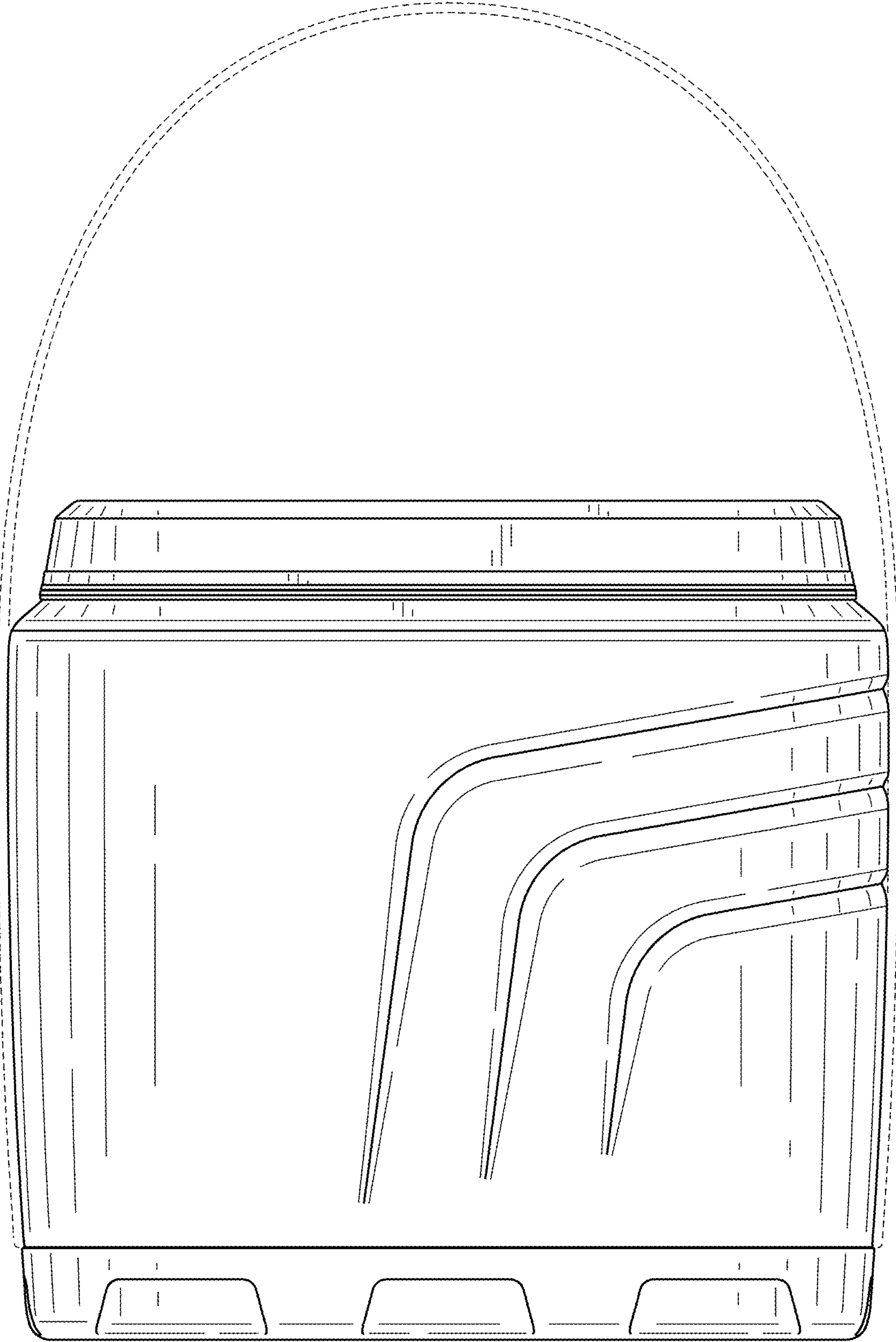


FIG. 12

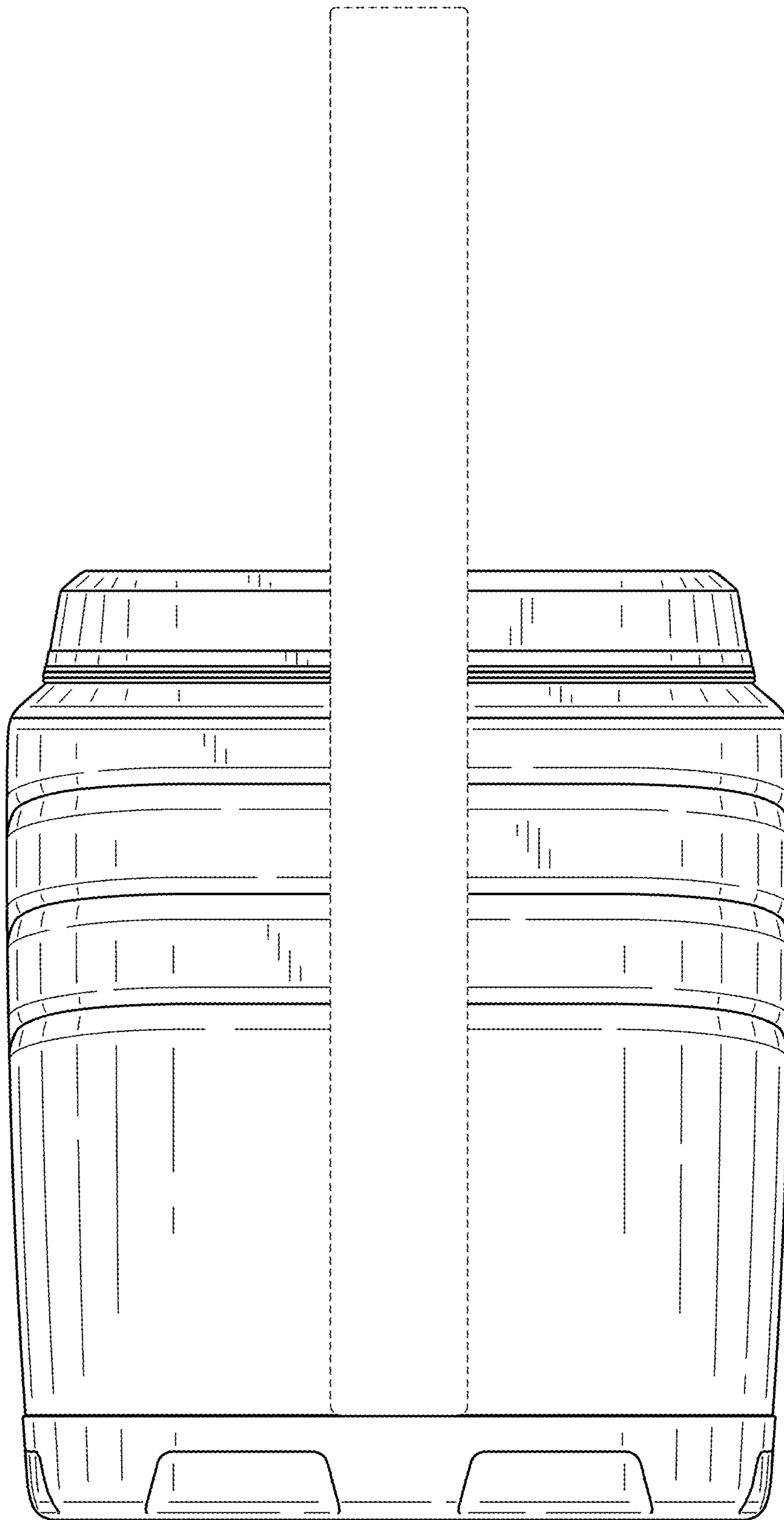


FIG. 13

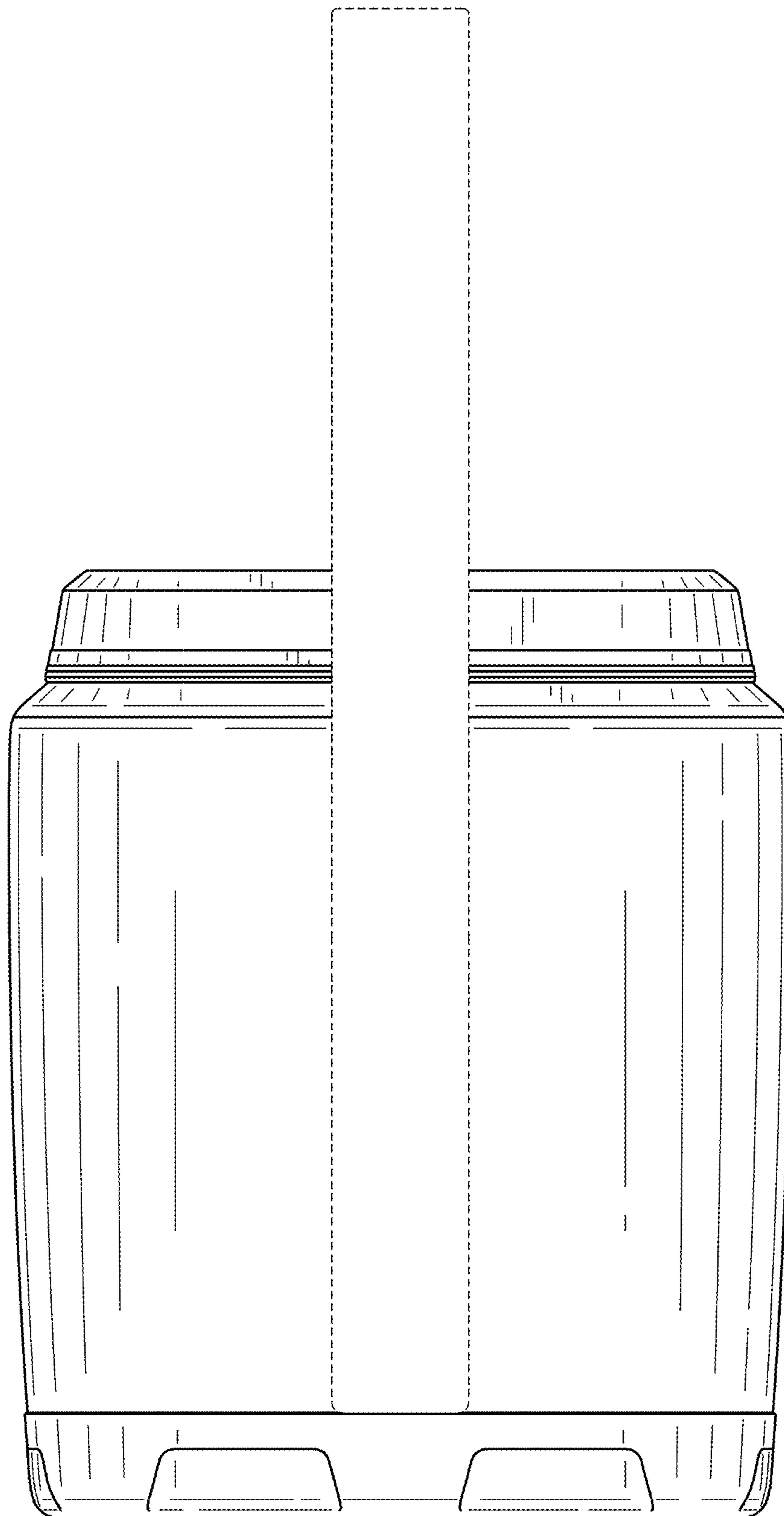


FIG. 14



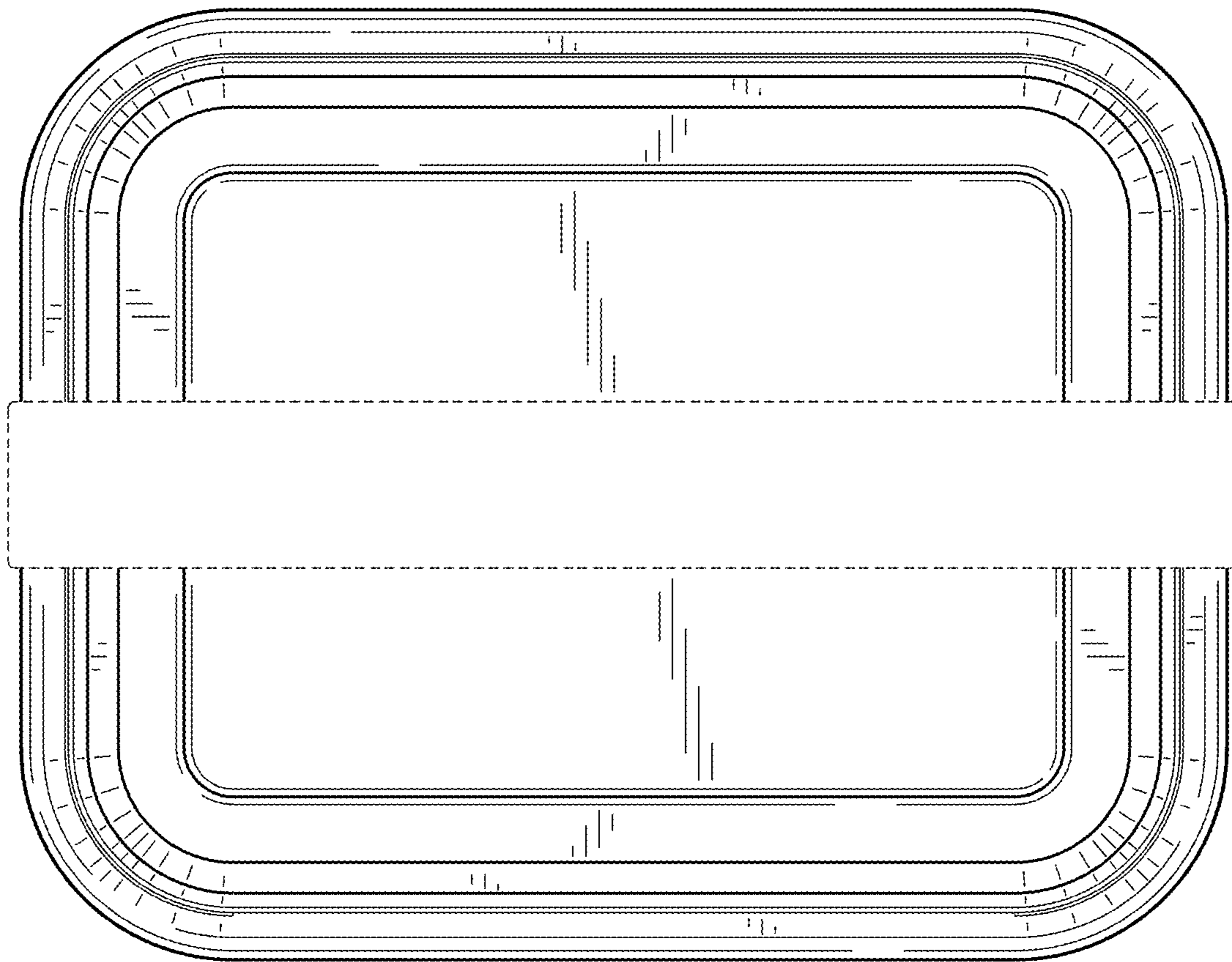


FIG. 15

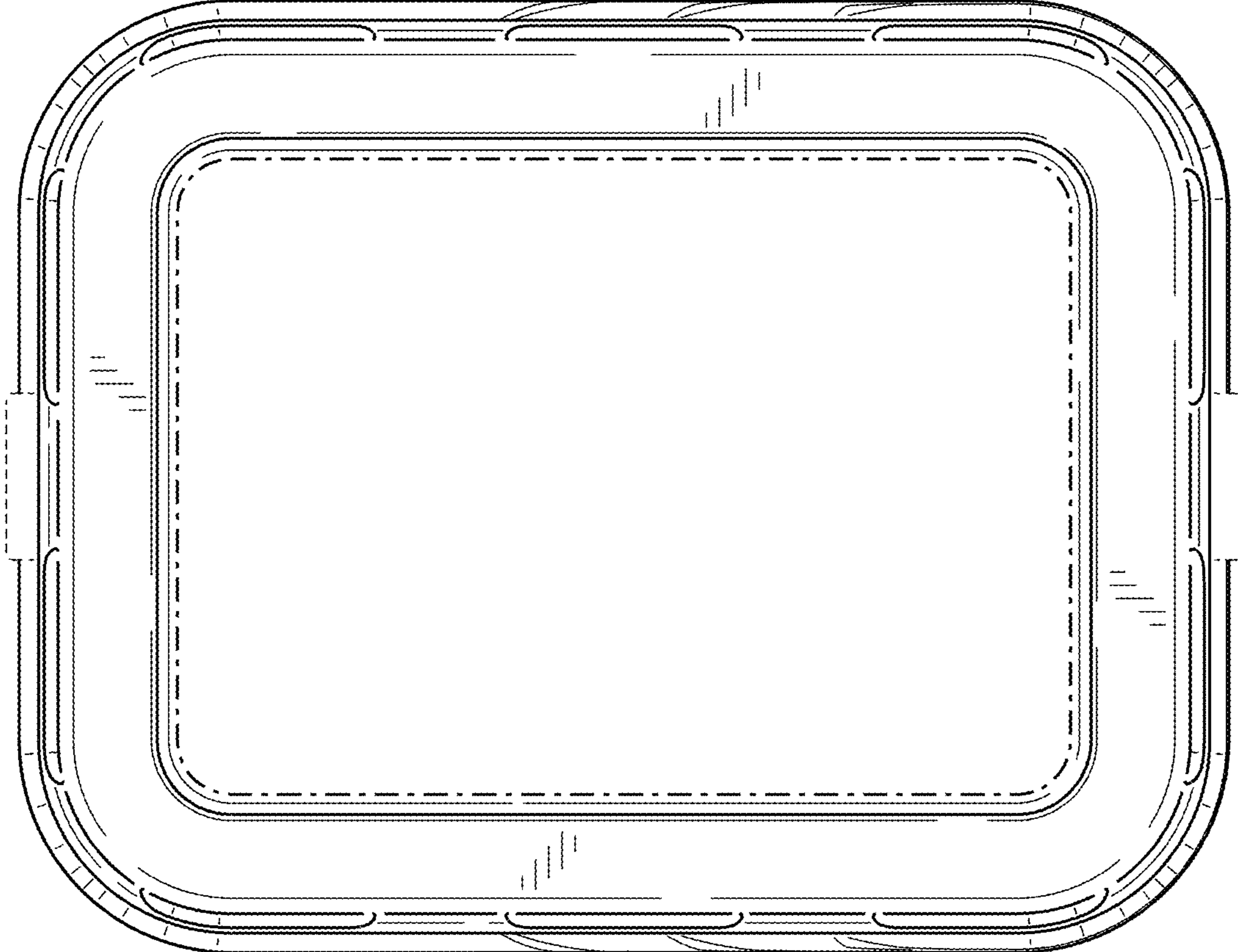


FIG. 16