



US00D821148S

(12) **United States Design Patent**  
**Sibbert**

(10) **Patent No.:** **US D821,148 S**  
(45) **Date of Patent:** **\*\* Jun. 26, 2018**

(54) **BOTTLE**

(71) Applicant: **SIGG Switzerland Bottles AG**,  
Frauenfeld (CH)  
(72) Inventor: **Alexander Sibbert**, Schwerzenbach  
(CH)  
(73) Assignee: **SIGG SWITZERLAND BOTTLES**  
**AG**, Frauenfeld (CH)  
(\*\*) Term: **15 Years**

(21) Appl. No.: **29/585,941**

(22) Filed: **Nov. 30, 2016**

(30) **Foreign Application Priority Data**

Jul. 12, 2016 (WO) ..... DM/093143

(51) **LOC (11) Cl.** ..... **07-01**

(52) **U.S. Cl.**  
USPC ..... **D7/510; D7/523; D7/532**

(58) **Field of Classification Search**  
USPC ..... D7/523, 529, 530, 608, 536, 532,  
D7/507-511; D9/500, 502, 503, 504,  
D9/517, 530, 538, 539, 540, 541, 544,  
D9/545, 547, 548, 552, 569, 453, 452;  
220/592.16, 592.17, 562.16, 562.17;  
215/381, 382  
CPC ..... A47G 19/22; A47G 19/2205; A47G  
19/2211; A47G 19/2266; A47G 19/2272;  
A45F 3/16; B65D 41/04

See application file for complete search history.

(56) **References Cited**

U.S. PATENT DOCUMENTS

D350,672	S	*	9/1994	Egger	.....	D7/510
D546,124	S	*	7/2007	Tien	.....	D7/510
D548,012	S	*	8/2007	Tien	.....	D7/523
D690,556	S	*	10/2013	Boroski	.....	D7/510
D729,565	S	*	5/2015	Starr	.....	D7/301
D747,928	S	*	1/2016	Herbst	.....	D7/510
D748,477	S	*	2/2016	Herbst	.....	D7/392.1
D792,742	S	*	7/2017	Meyers	.....	D7/523
D795,012	S	*	8/2017	Rummel	.....	D7/510
D795,648	S	*	8/2017	Lapsker	.....	D7/523
2008/0000866	A1	*	1/2008	Yates, III	.....	B65D 21/0202 215/6

\* cited by examiner

*Primary Examiner* — Marianne Pandozzi

*Assistant Examiner* — Jae Liang

(74) *Attorney, Agent, or Firm* — Pearne & Gordon LLP

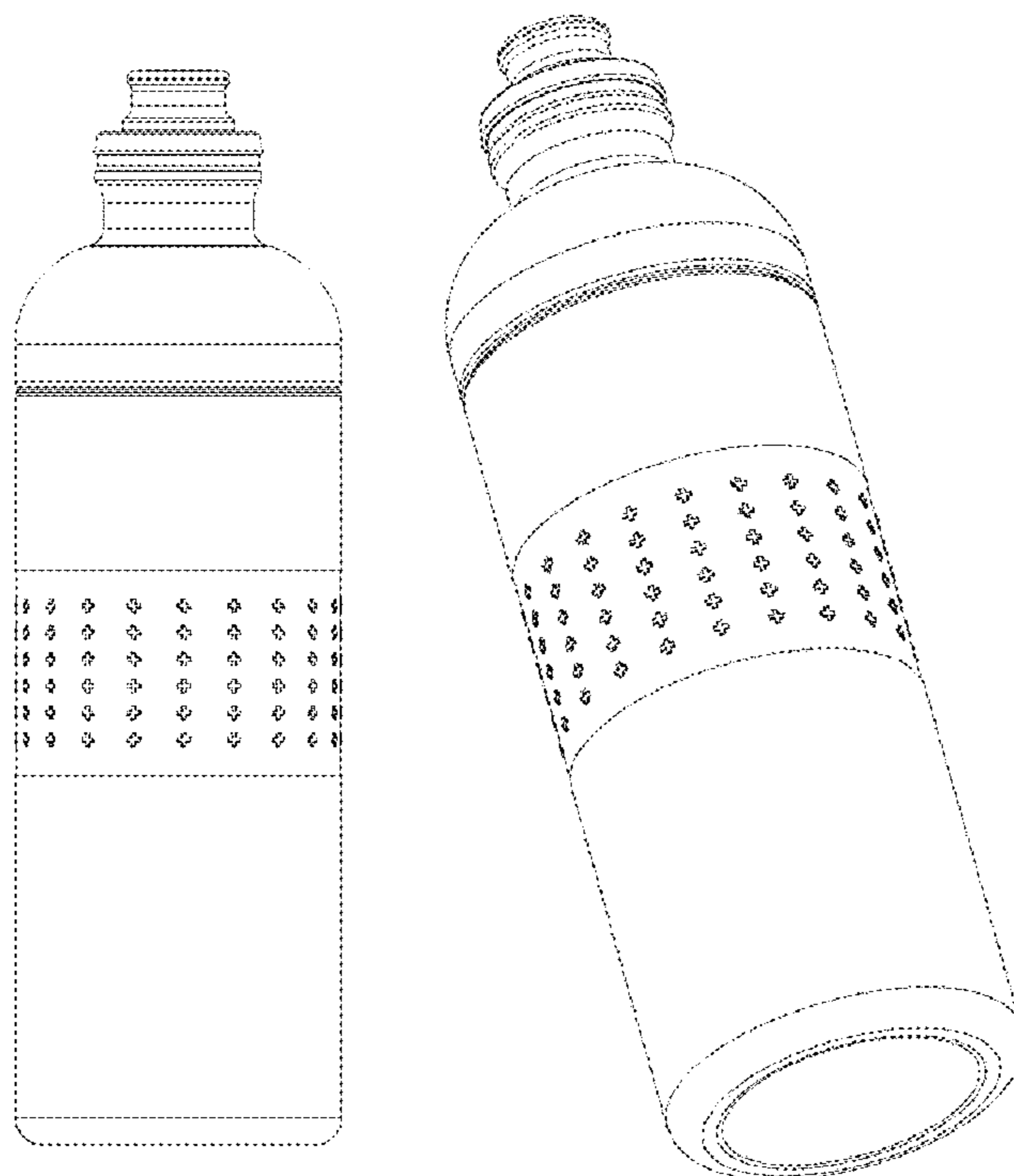
(57) **CLAIM**

The ornamental design for a bottle, as shown and described.

**DESCRIPTION**

FIG. 1 is a front view of a bottle showing my new design;  
FIG. 2 is a rear view thereof;  
FIG. 3 is a top view thereof;  
FIG. 4 is a bottom view thereof;  
FIG. 5 is a top-front perspective view thereof; and,  
FIG. 6 is a bottom-rear perspective view thereof.  
The broken lines in the drawing depict portions of the bottle  
that form no part of the claimed design.

**1 Claim, 4 Drawing Sheets**



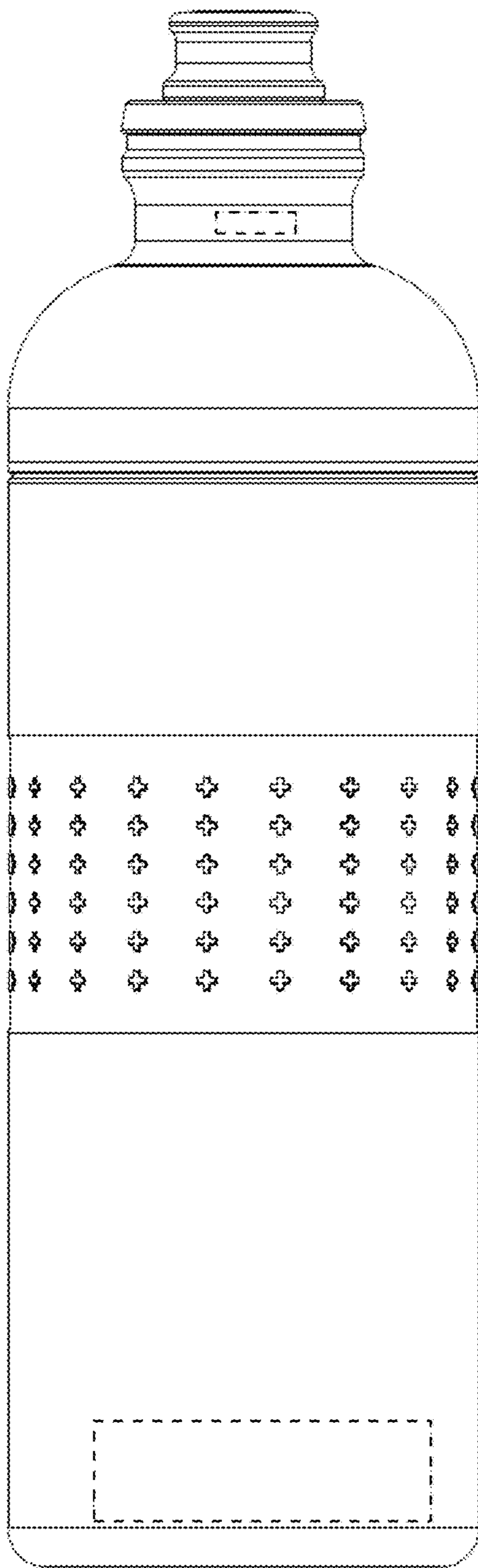


FIG. 1

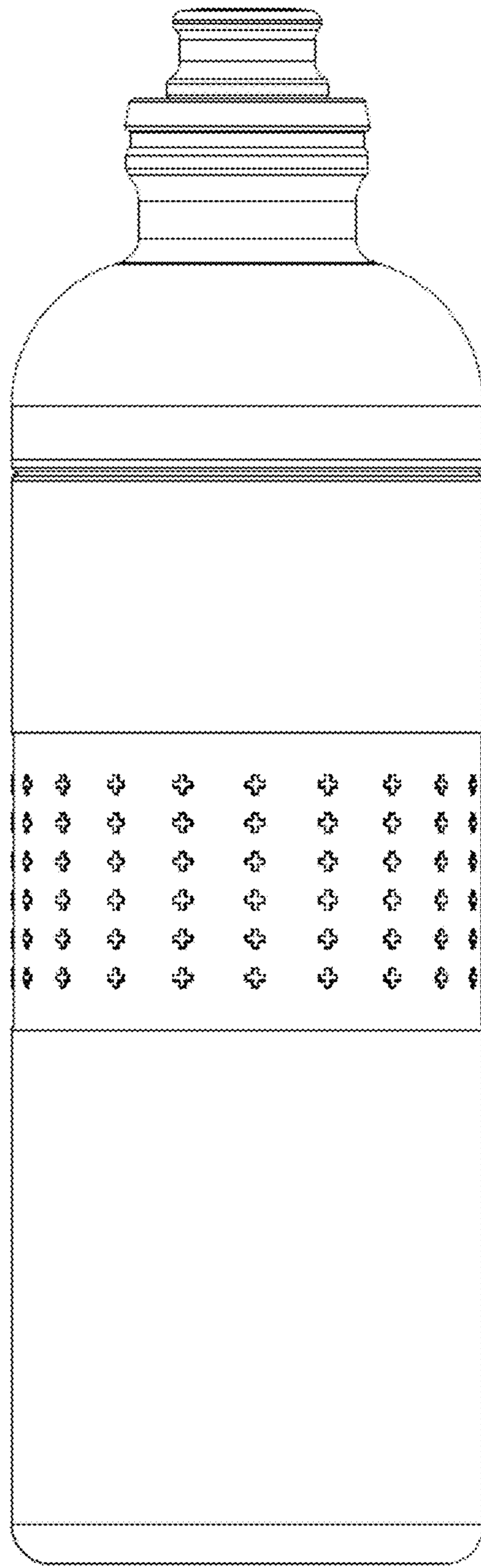


FIG. 2

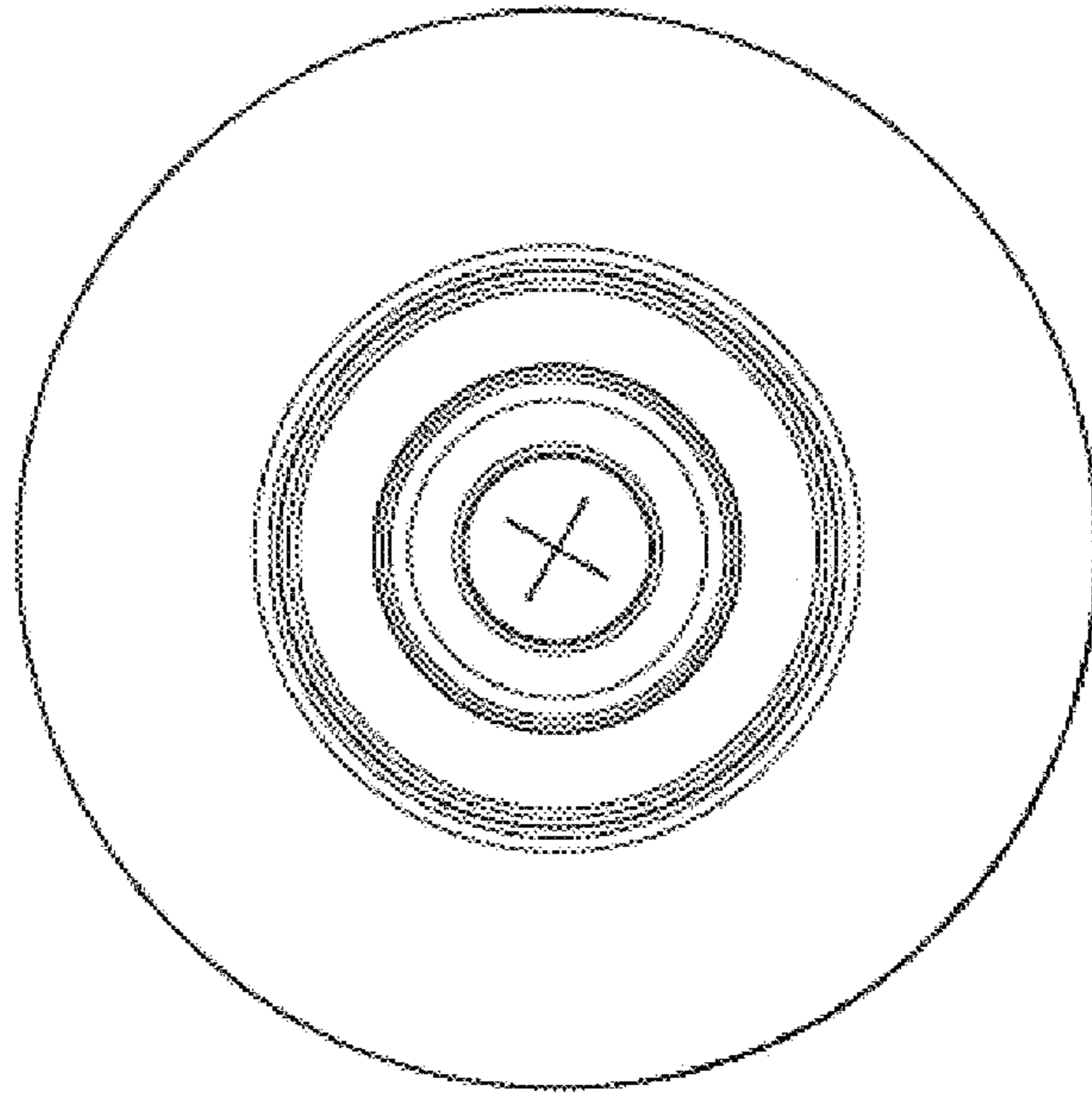


FIG. 3

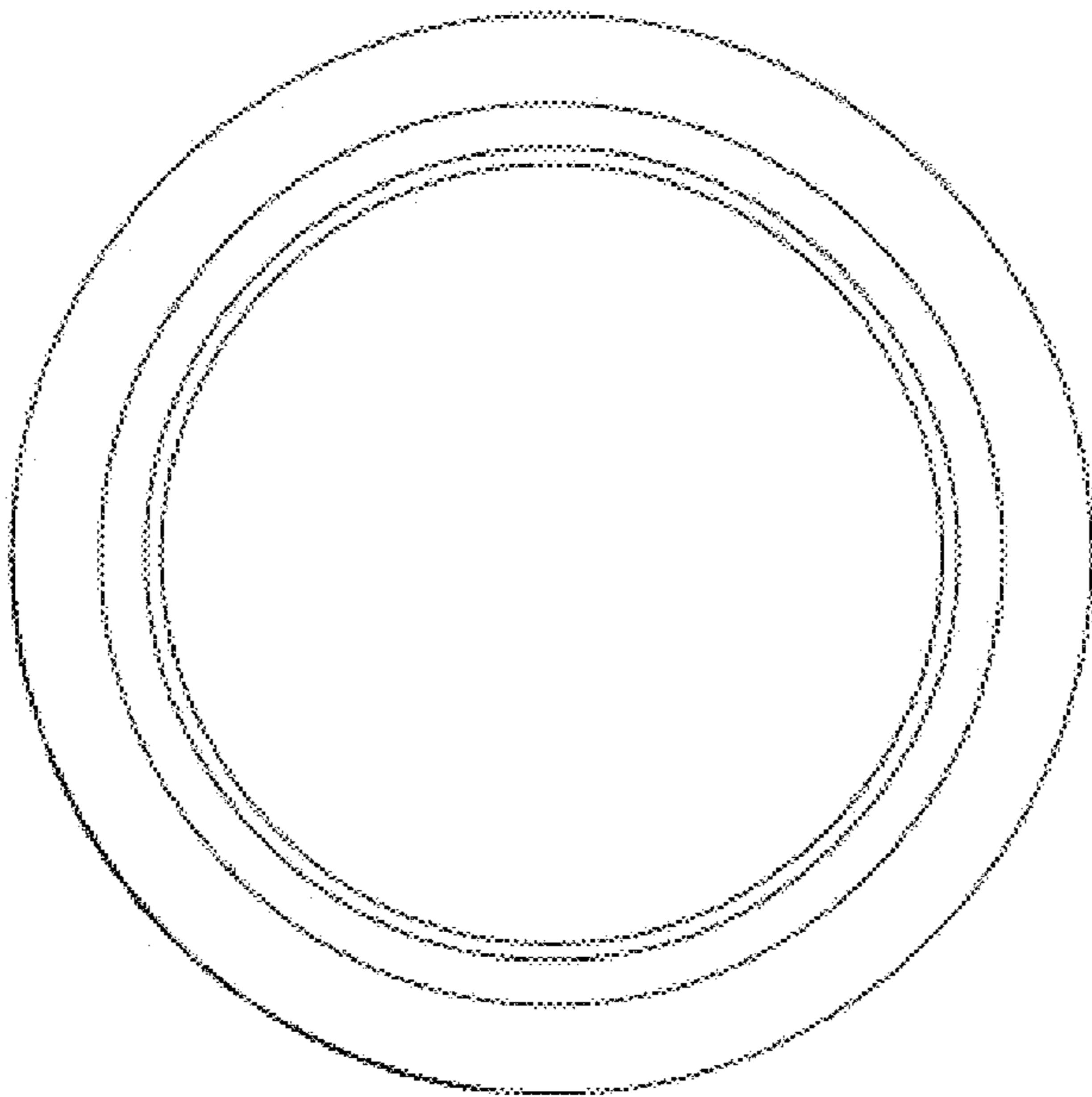


FIG. 4

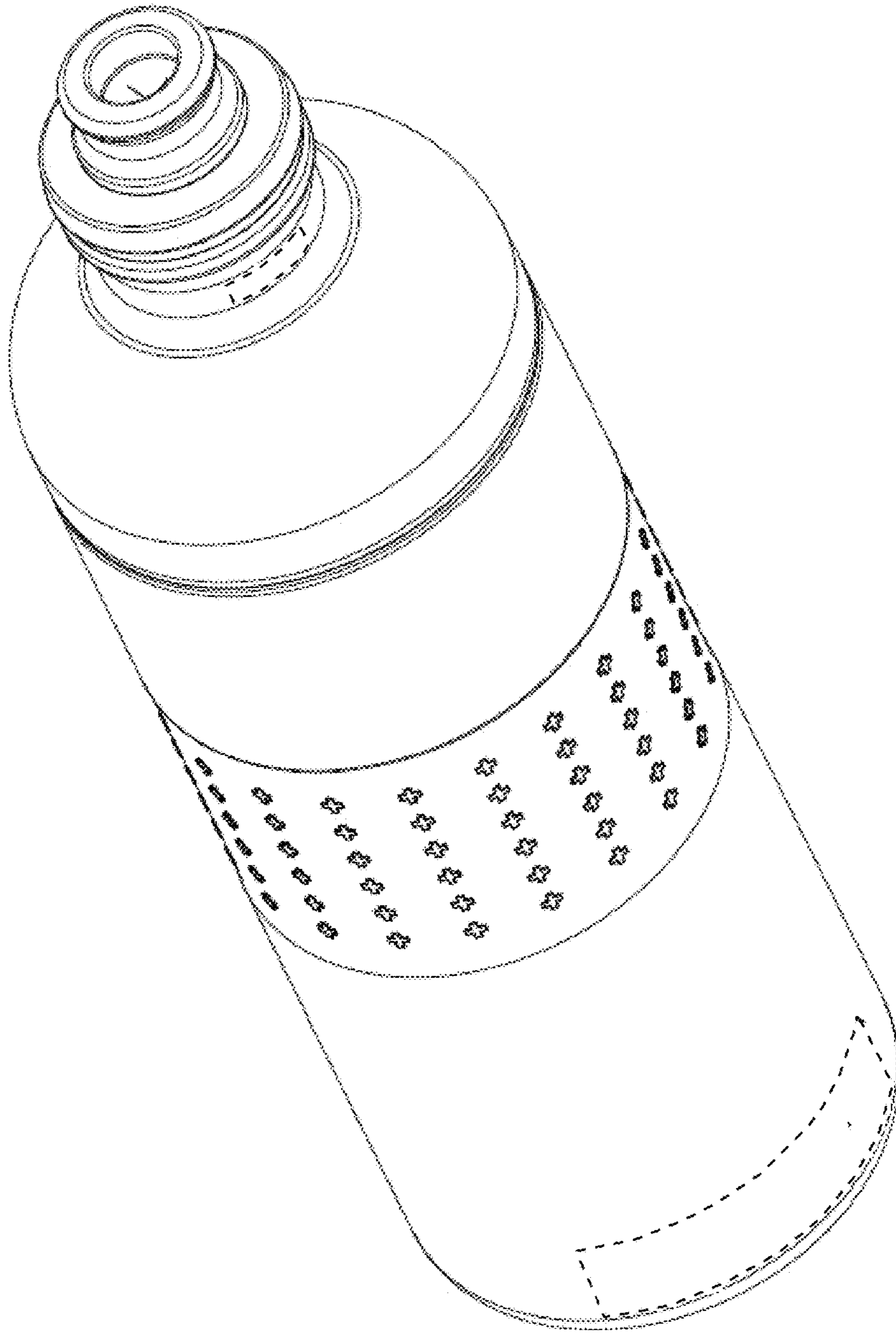


FIG. 5

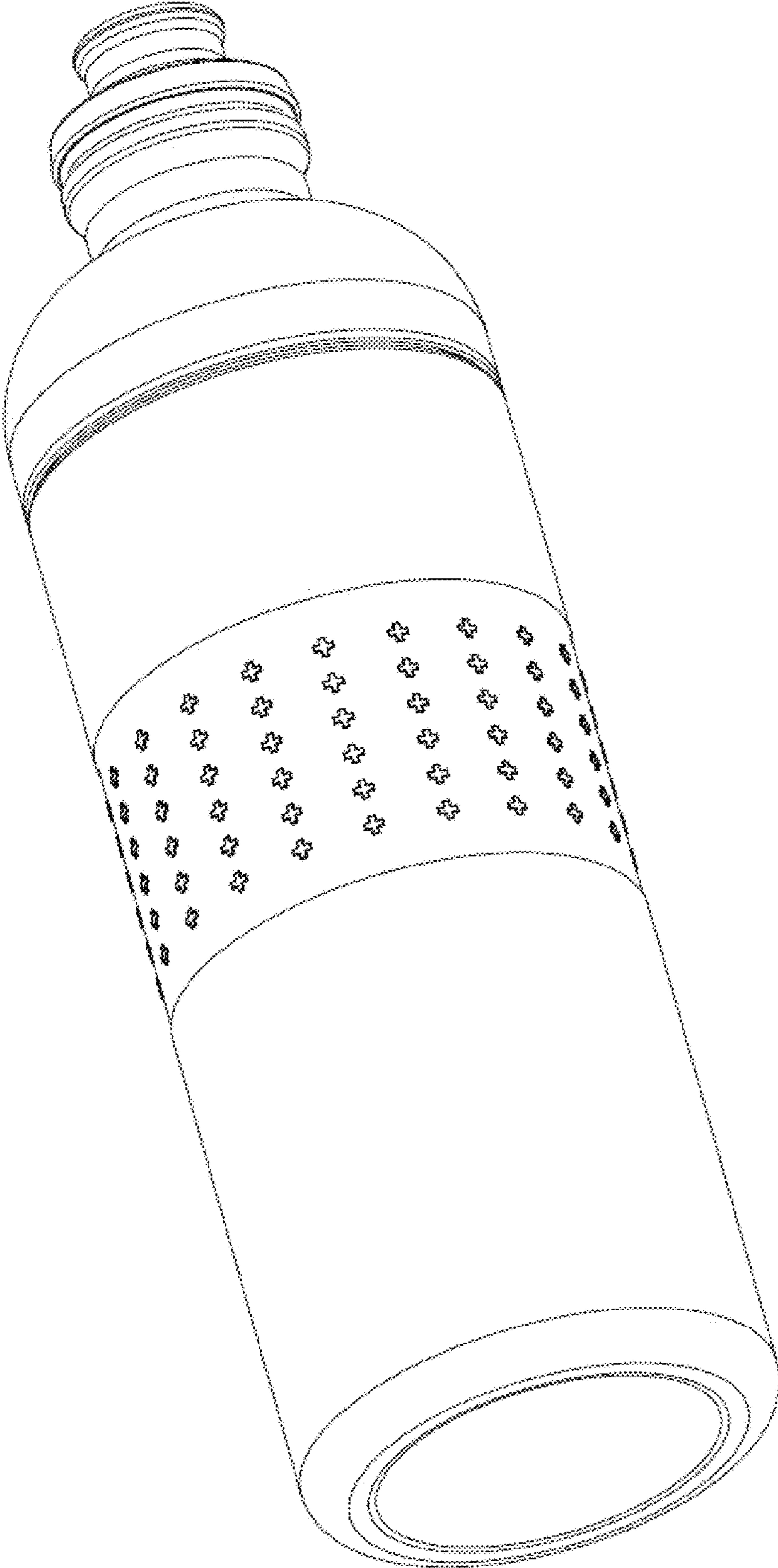


FIG. 6