



US00D821147S

(12) **United States Design Patent**  
**Chung**

(10) **Patent No.:** **US D821,147 S**  
(45) **Date of Patent:** **\*\* Jun. 26, 2018**

(54) **STRAW BOTTLE**

(71) Applicants: **THERMOS L.L.C.**, Schaumburg, IL  
(US); **THERMOS KOREA CO., LTD.**, Seoul (KR)

(72) Inventor: **Soo Chung**, Seoul (KR)

(73) Assignees: **THERMOS L.L.C.**, Schaumburg, IL  
(US); **THERMOS KOREA CO., LTD.**  
(KR)

(\*\*) Term: **15 Years**

(21) Appl. No.: **29/575,654**

(22) Filed: **Aug. 26, 2016**

(51) **LOC (11) Cl.** ..... **07-01**

(52) **U.S. Cl.**  
USPC ..... **D7/510; D7/511; D7/534**

(58) **Field of Classification Search**  
USPC ..... D7/507, 509, 510, 511, 523, 529, 530,  
D7/531, 532, 533, 534, 535, 536, 608,  
D7/392.1, 396.2, 396.4, 387, 394, 515,  
D7/300.2; D9/434, 450; D10/46.2;  
D24/197, 199; 220/592.16, 592.17  
CPC ..... A47G 19/22; A47G 19/2205; A47G  
19/2227; A47G 19/2266; A47F 3/16;  
B65D 47/066

See application file for complete search history.

(56) **References Cited**

**U.S. PATENT DOCUMENTS**

D425,994 S \* 5/2000 Hakim ..... D24/197  
D442,435 S \* 5/2001 Takagi ..... D7/510  
D460,322 S \* 7/2002 Orr ..... D7/510  
D516,864 S \* 3/2006 Kleckauskas ..... D7/507  
D588,411 S \* 3/2009 Watanabe ..... D7/507  
D592,012 S \* 5/2009 Carreno ..... D7/510  
D596,460 S \* 7/2009 Nezu ..... D7/510  
D641,631 S \* 7/2011 Kawahara ..... D7/510

D668,509 S \* 10/2012 Beugelsdijk ..... D7/400  
D674,497 S \* 1/2013 Smith ..... D24/197  
D681,217 S \* 4/2013 Smith ..... D24/197  
D683,188 S \* 5/2013 Gold ..... D7/510  
D683,189 S \* 5/2013 Thomas ..... D7/510  
D683,589 S \* 6/2013 Itzek ..... D7/510  
8,689,989 B2 \* 4/2014 Lane ..... A45F 3/16  
215/237  
D715,099 S \* 10/2014 Lv ..... D7/510  
D736,035 S \* 8/2015 Wang ..... D7/510  
D742,174 S \* 11/2015 Roth ..... D7/300.2  
D747,146 S \* 1/2016 Struckmeier ..... D7/510  
D757,494 S \* 5/2016 Parker ..... D7/510  
D757,495 S \* 5/2016 Parker ..... D7/507  
D762,419 S \* 8/2016 Parker ..... D7/510

(Continued)

*Primary Examiner* — Marianne Pandozzi

*Assistant Examiner* — Jae Liang

(74) *Attorney, Agent, or Firm* — Polsinelli PC

(57) **CLAIM**

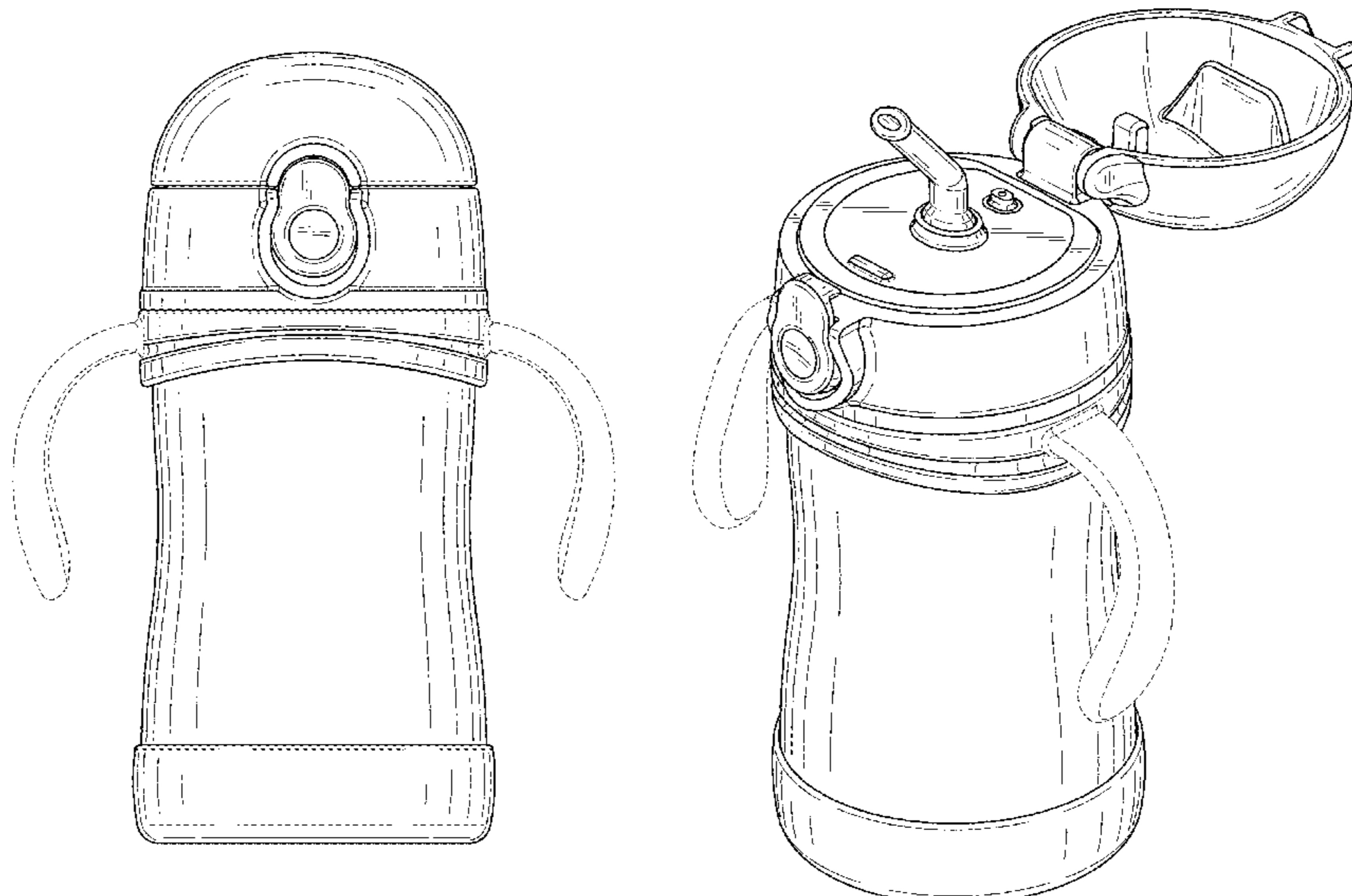
The ornamental design for a straw bottle, as shown and described.

**DESCRIPTION**

FIG. 1 is a perspective view of the straw bottle;  
FIG. 2 is a front view of the straw bottle;  
FIG. 3 is a rear view of the straw bottle;  
FIG. 4 is a right side view of the straw bottle;  
FIG. 5 is a left side view of the straw bottle;  
FIG. 6 is a top view of the straw bottle;  
FIG. 7 is a bottom view of the straw bottle; and,  
FIG. 8 is a perspective view of the straw bottle with the lid open.

The broken lines showing in the figures are included for the purpose of illustrating portions of the straw bottle that form no part of the claimed design. The dash-dot lines showing in the figures are included for defining the bounds of the claimed design that form no part thereof.

**1 Claim, 6 Drawing Sheets**



(56)

**References Cited**

U.S. PATENT DOCUMENTS

2014/0175098 A1\* 6/2014 Lane ..... A45F 3/16  
220/212.5

\* cited by examiner

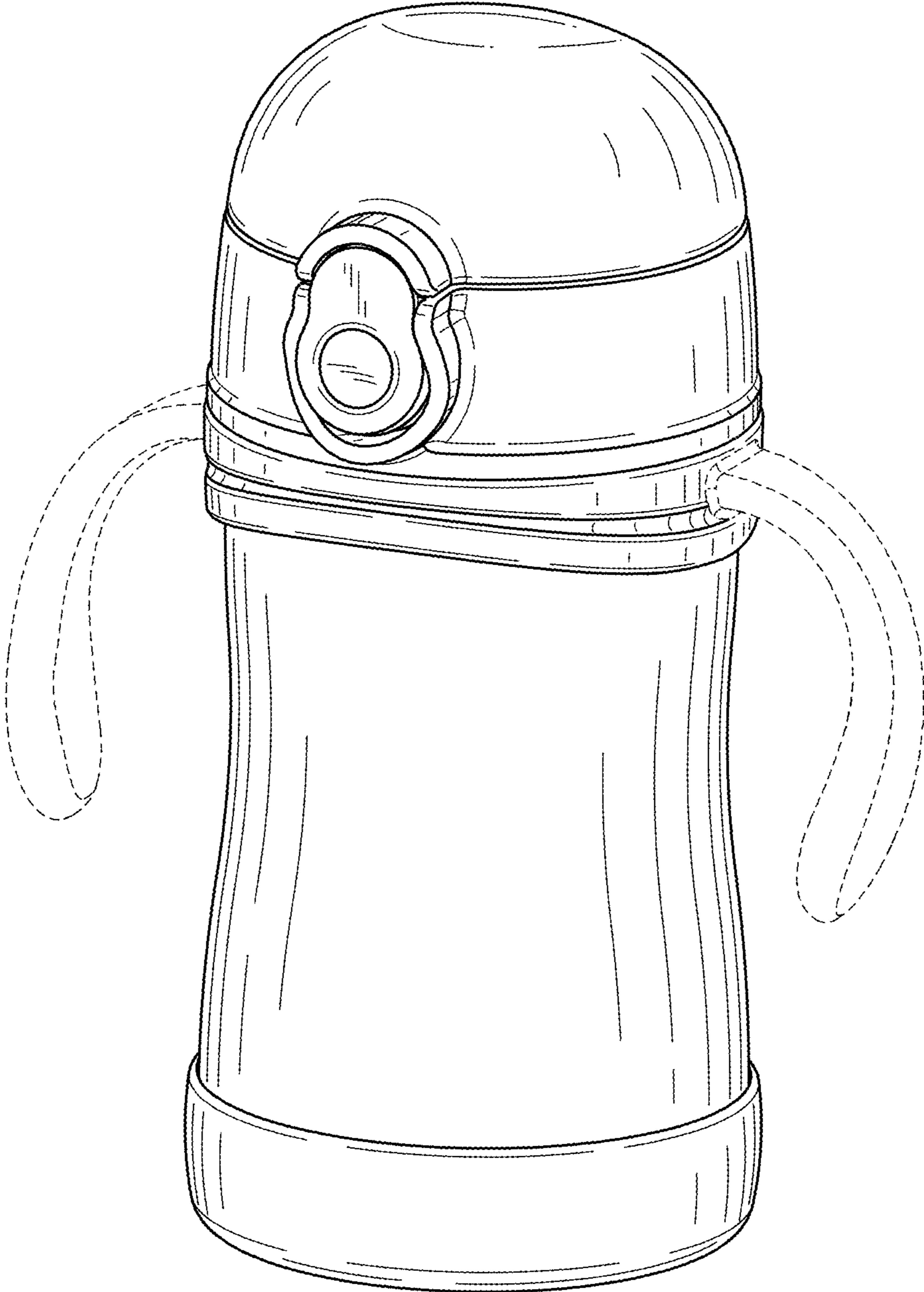


FIG. 1

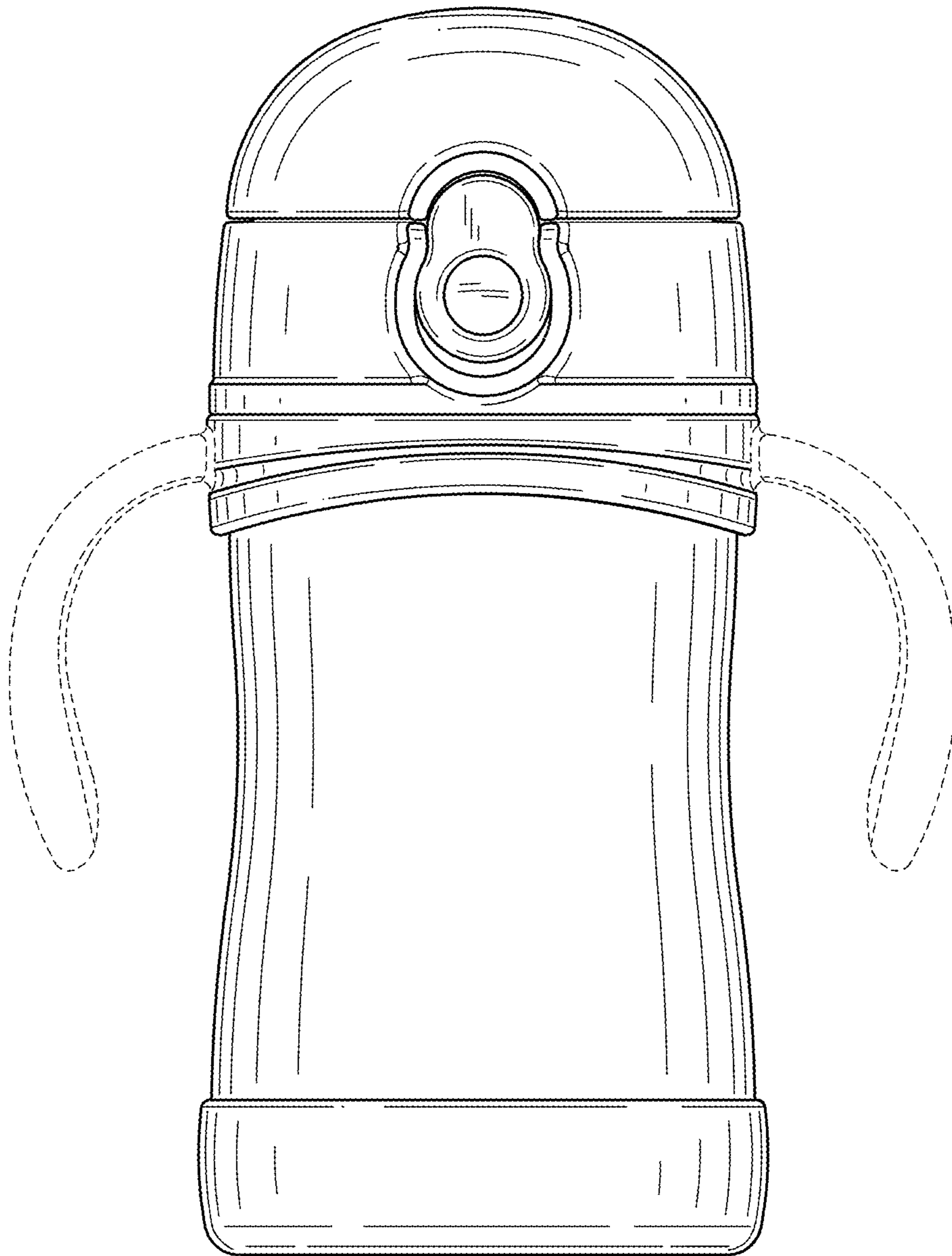


FIG. 2

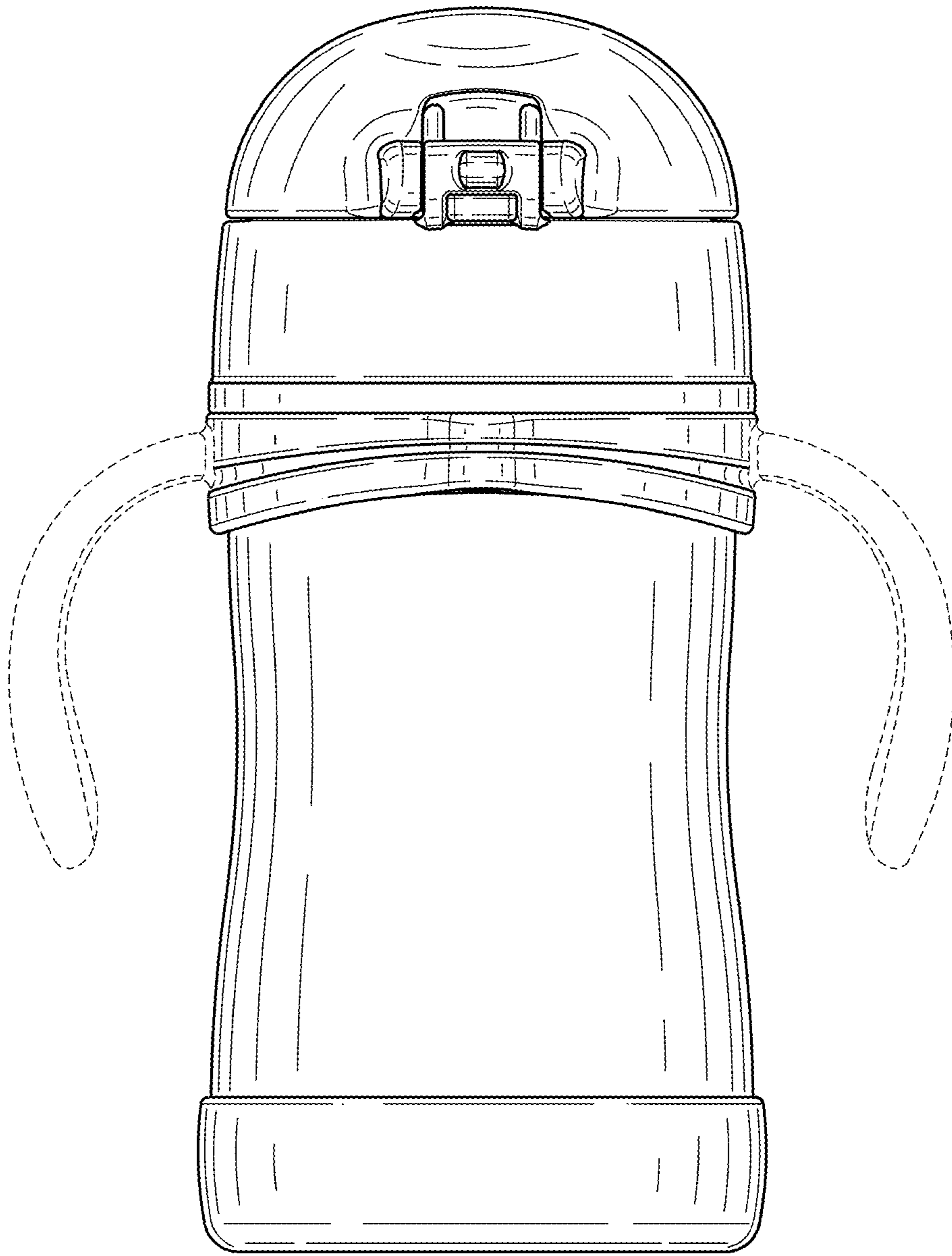


FIG. 3

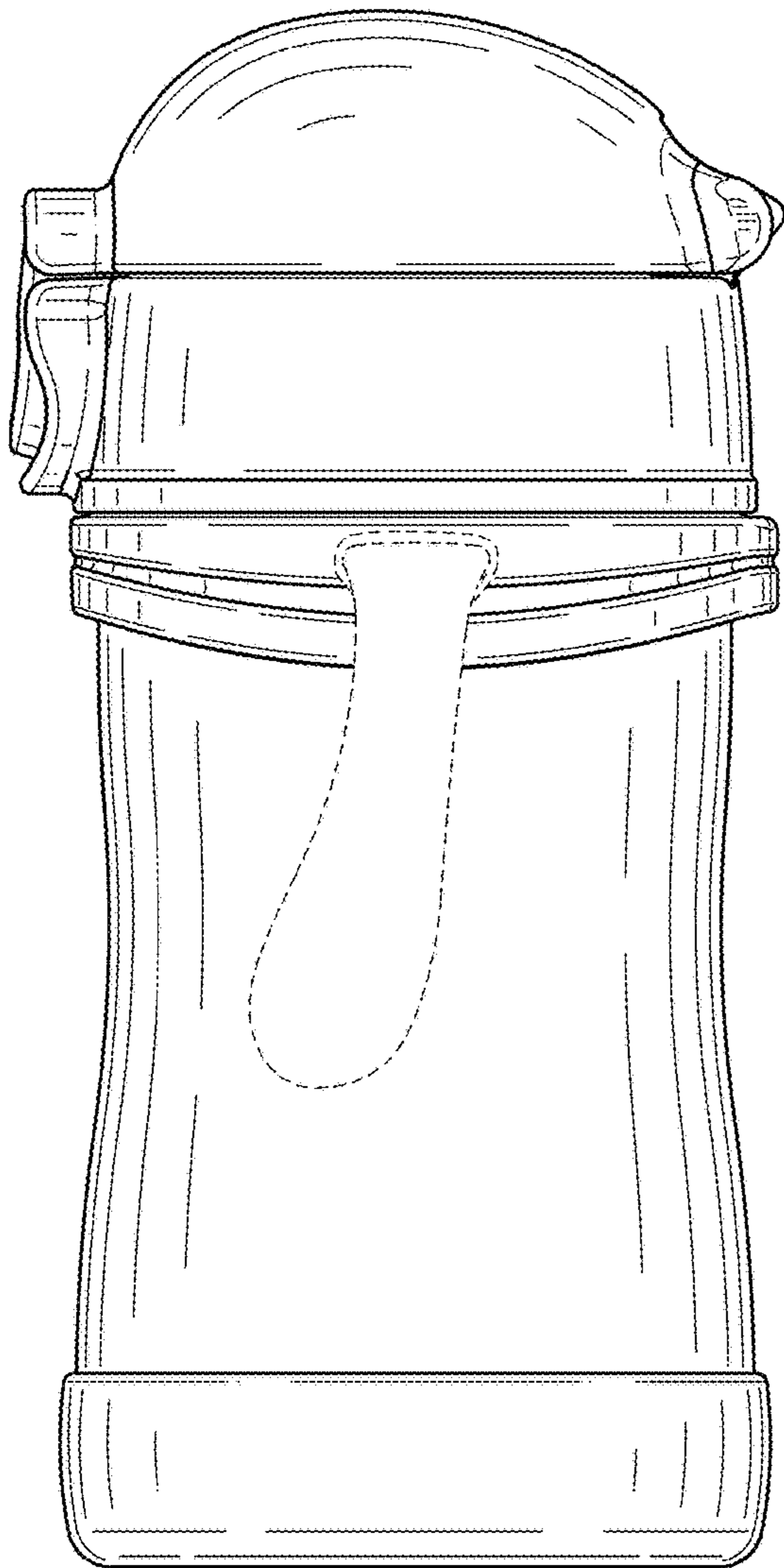


FIG. 4

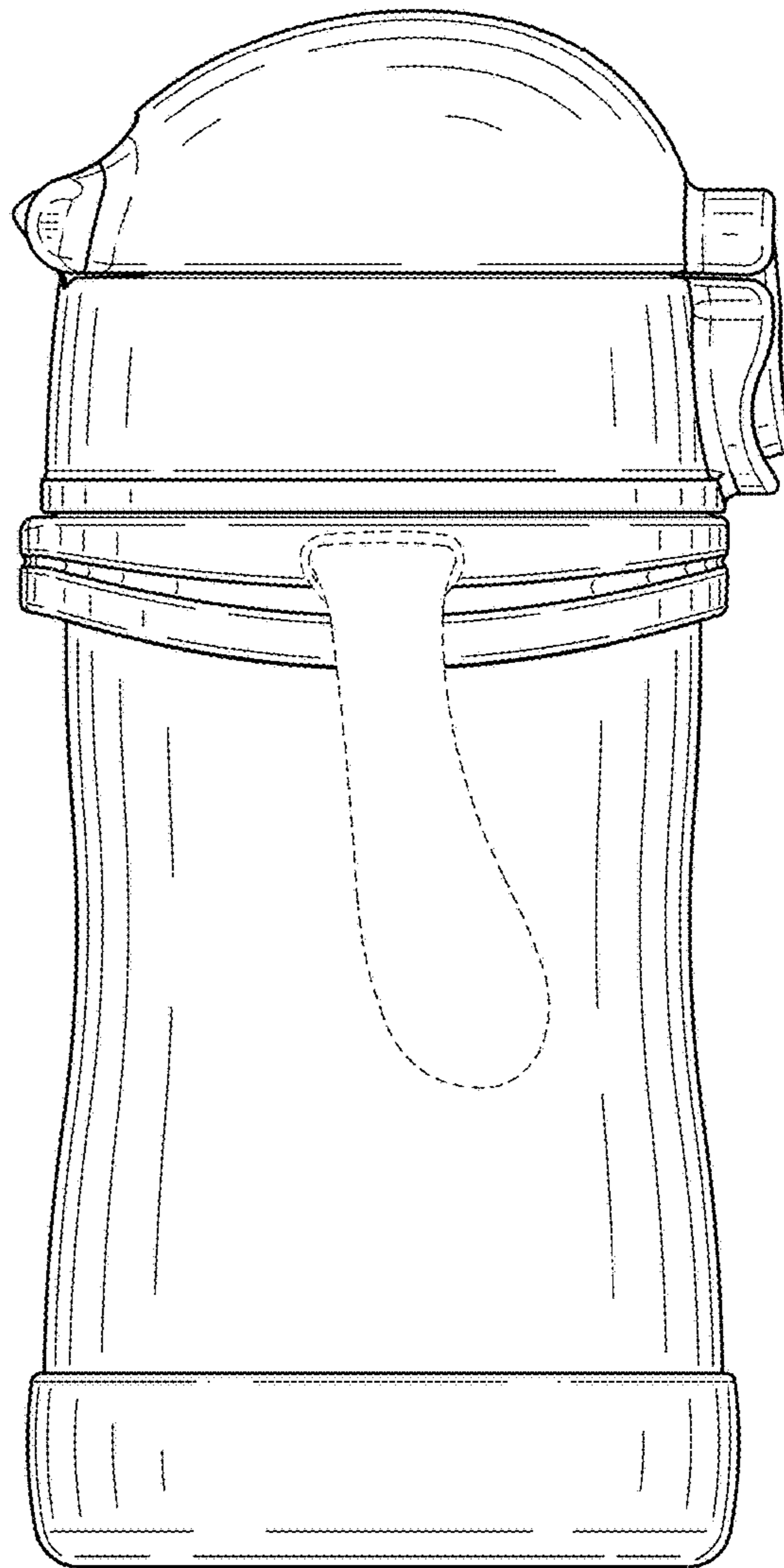


FIG. 5

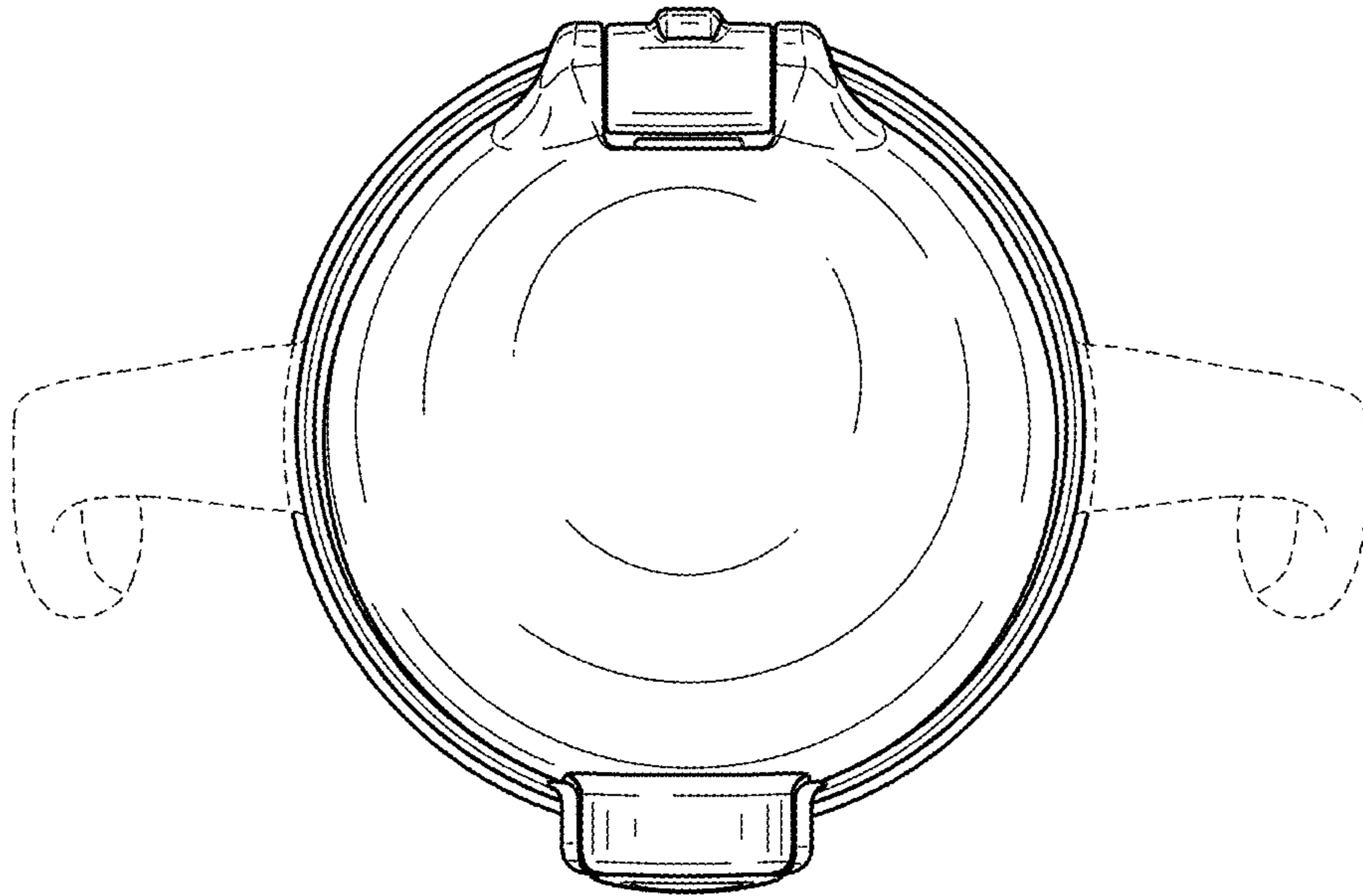


FIG. 6

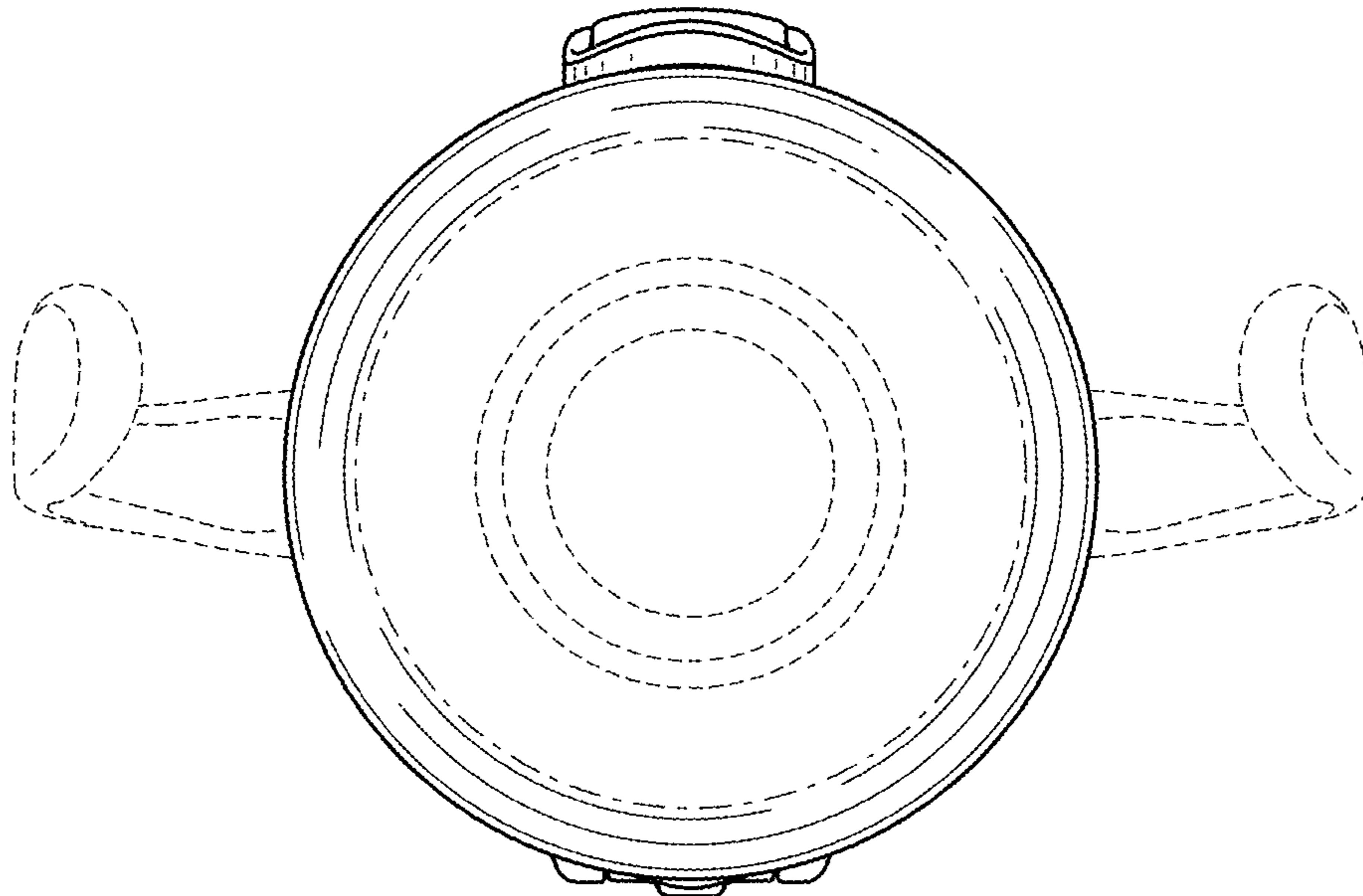


FIG. 7

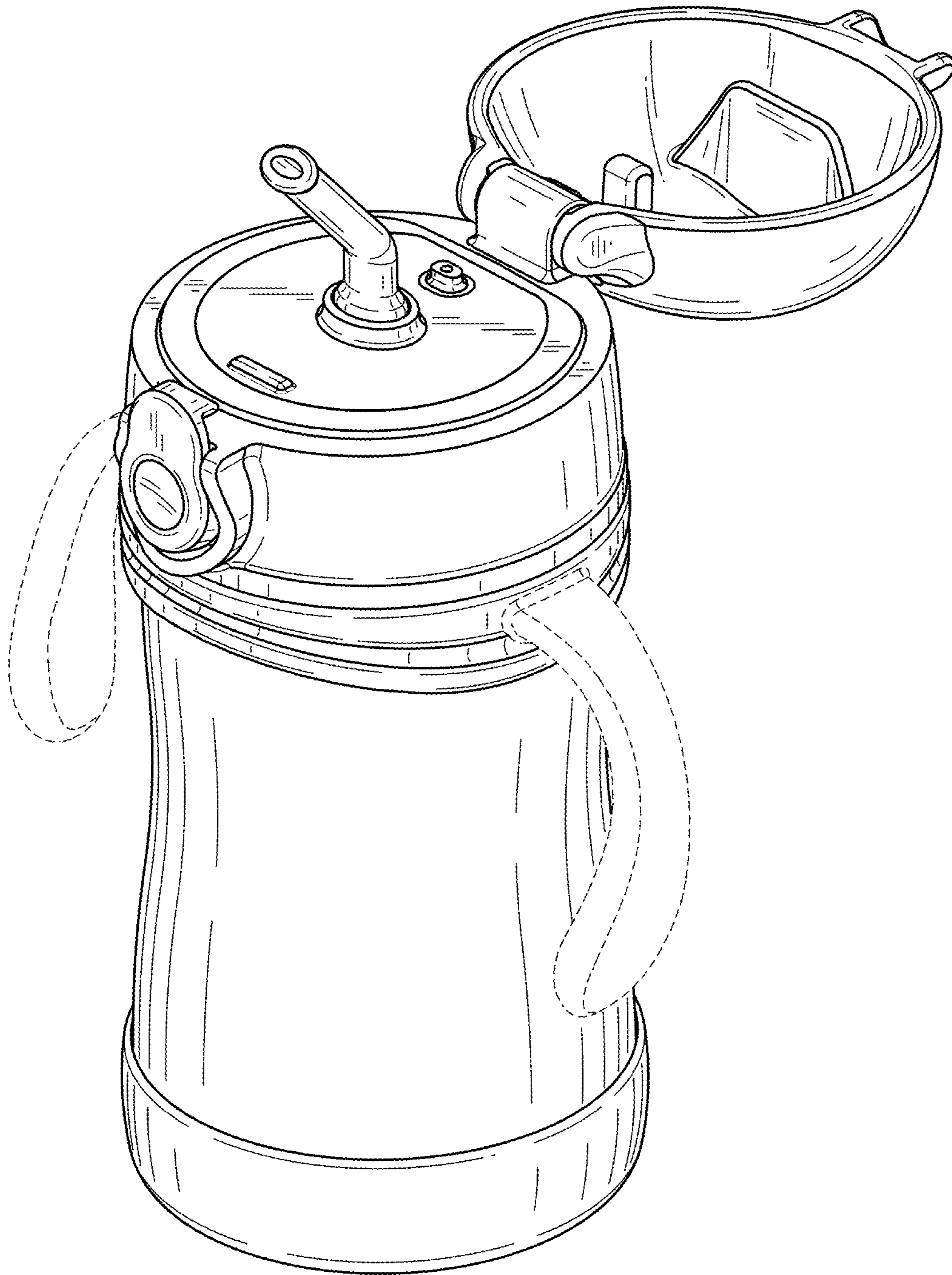


FIG. 8