



US00D821146S

(12) **United States Design Patent**  
**Steinmann**

(10) **Patent No.:** **US D821,146 S**  
(45) **Date of Patent:** **\*\* Jun. 26, 2018**

(54) **PORTABLE BEVERAGE CONTAINER**

(71) Applicant: **Hardy Steinmann**, Laguna Niguel, CA (US)

(72) Inventor: **Hardy Steinmann**, Laguna Niguel, CA (US)

(\*\*) Term: **15 Years**

(21) Appl. No.: **29/563,459**

(22) Filed: **May 4, 2016**

(51) **LOC (11) Cl.** ..... **07-01**

(52) **U.S. Cl.**  
USPC ..... **D7/510; D7/511; D7/523**

(58) **Field of Classification Search**  
USPC ..... D7/507, 509, 510, 511, 523, 529, 530, D7/531, 532, 533, 536, 608, 598, 300.1, D7/320, 629, 392.1, 396.2, 396.6, 387, D7/667; D9/435, 436, 443, 452, 453, D9/447, 440, 503; 220/592.16, 592.17, 220/705, 495.03; 215/381; D3/202  
CPC ..... A47G 19/22; A47G 19/2205; A47G 19/2211; A47G 19/2266; A47G 19/2272; A45F 3/16; B65D 47/066  
See application file for complete search history.

(56) **References Cited**

U.S. PATENT DOCUMENTS

D179,880 S *	3/1957	Bramming	.....	D7/608
3,184,890 A *	5/1965	McKey	.....	A01G 9/102 47/73
5,029,720 A	7/1991	Bridges		
5,148,936 A	9/1992	DeGrow		
D345,897 S *	4/1994	Vitez	.....	D7/608
5,312,013 A	5/1994	Bridges		
5,415,312 A	5/1995	Mueller		
D362,369 S	9/1995	Bridges		
5,465,891 A	11/1995	Bridges		
5,497,892 A	3/1996	Takatsuki et al.		
5,515,995 A	5/1996	Allen et al.		

D385,747 S	11/1997	Inoue		
D396,777 S	8/1998	Inoue		
5,857,584 A *	1/1999	Taggart	.....	A47G 19/2211 220/23.9
D411,713 S	6/1999	Bridges		
5,984,156 A	11/1999	Bridges		
6,186,348 B1	2/2001	Rouet		
6,237,820 B1 *	5/2001	Saxton	.....	A45F 3/16 215/395
D448,620 S	10/2001	Neal		
D449,963 S	11/2001	Neal		

(Continued)

*Primary Examiner* — Marianne Pandozzi

*Assistant Examiner* — Jae Liang

(74) *Attorney, Agent, or Firm* — McDermott Will & Emery LLP

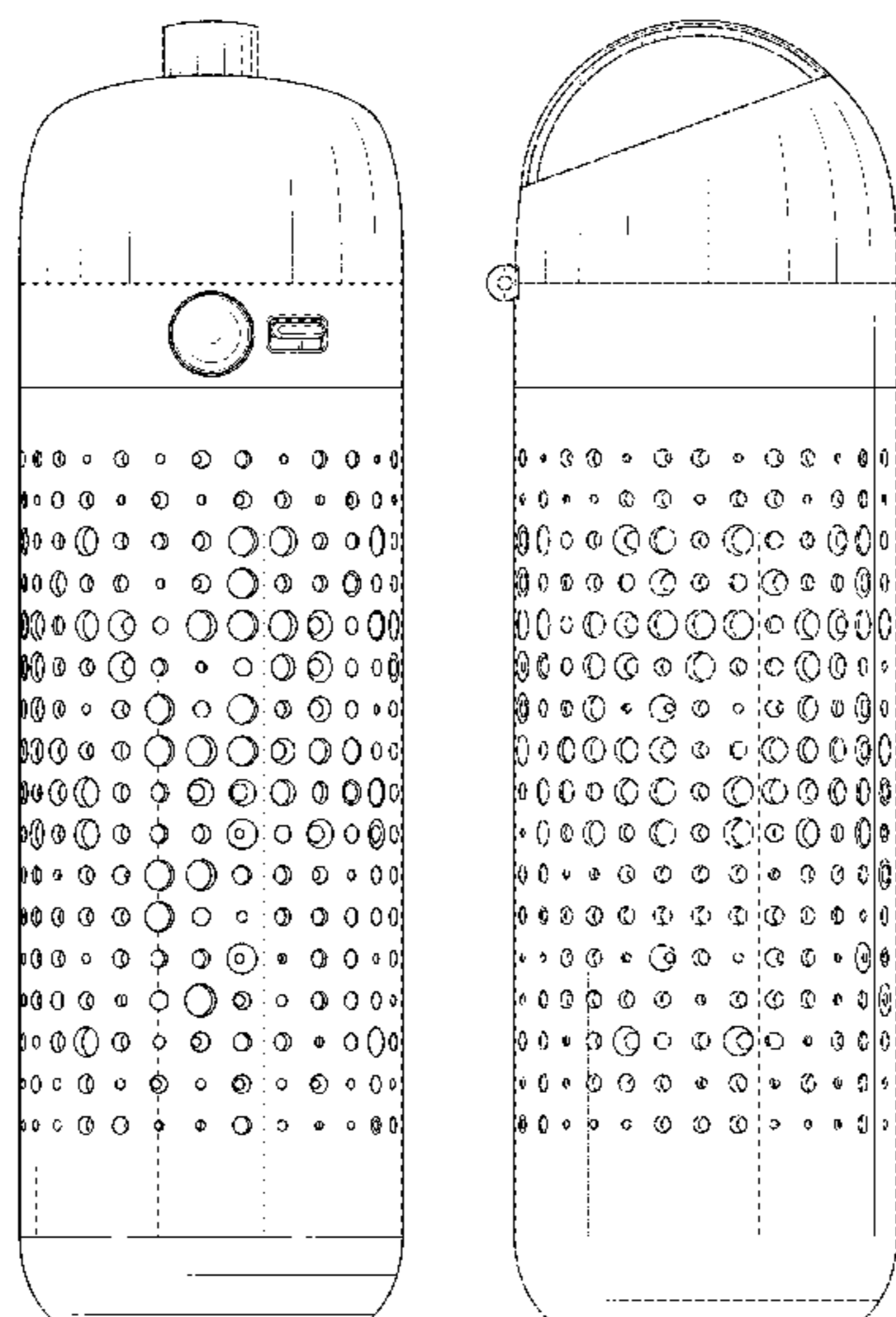
(57) **CLAIM**

I claim the ornamental design for a portable beverage container, as shown and described.

**DESCRIPTION**

FIG. 1 is a top rear perspective view of a portable beverage container showing my new design;  
 FIG. 2 is a front perspective view of the portable beverage container shown in FIG. 1  
 FIG. 3 is a rear perspective view of the portable beverage container shown in FIG. 1;  
 FIG. 4 is a left side view of the portable beverage container shown in FIG. 1;  
 FIG. 5 is a right side view of the portable beverage container shown in FIG. 1;  
 FIG. 6 is a top view of the portable beverage container shown in FIG. 1; and,  
 FIG. 7 is a bottom view of the portable beverage container shown in FIG. 1.  
 The broken lines in the drawings depict portions of the portable beverage container that form no part of the claimed design.

**1 Claim, 3 Drawing Sheets**



(56)

References Cited

U.S. PATENT DOCUMENTS

D455,609 S	4/2002	Mandel et al.		D720,186 S	12/2014	Lane et al.	
D455,610 S	4/2002	Bridges		D720,574 S	1/2015	Boroski	
D456,212 S	4/2002	Bridges		D721,912 S	2/2015	Boroski	
D492,547 S *	7/2004	Hsu .....	D7/523	D724,896 S	3/2015	Williams	
D510,681 S *	10/2005	Liu .....	D7/523	8,967,414 B2	3/2015	Lane	
D535,152 S *	1/2007	Gluck .....	D7/509	8,978,906 B2	3/2015	Feeley et al.	
7,163,127 B2	1/2007	Seelhofer		8,985,370 B2	3/2015	Lane	
D544,304 S *	6/2007	Gluck .....	D7/511	8,985,377 B2	3/2015	Lane	
7,284,674 B2	10/2007	Ueda et al.		8,985,406 B2	3/2015	Tachi	
7,306,113 B2	12/2007	El-Saden et al.		D725,966 S	4/2015	Boroski et al.	
D575,580 S *	8/2008	Germany .....	D7/392.1	D729,011 S	5/2015	Boroski	
D594,266 S	6/2009	Nakatani		D729,581 S	5/2015	Boroski	
7,546,933 B2	6/2009	Pinelli		D729,585 S	5/2015	Boroski	
D596,904 S	7/2009	Nakatani		9,022,239 B2	5/2015	Mackenzie et al.	
D603,653 S *	11/2009	Wong .....	D7/509	D731,251 S	6/2015	Lane	
D607,698 S *	1/2010	Tsukida .....	D7/608	D732,892 S *	6/2015	Keys .....	D7/510
7,706,671 B2	4/2010	Brown		9,113,698 B2	8/2015	Blain et al.	
D615,816 S *	5/2010	Joy .....	D7/507	D739,183 S	9/2015	Lane	
D623,476 S *	9/2010	Carlson .....	D7/510	9,150,335 B2	10/2015	Lane	
7,797,807 B2	9/2010	Ueda et al.		9,161,655 B2	10/2015	De Graaff et al.	
D627,602 S *	11/2010	Eyal .....	D7/510	D743,206 S *	11/2015	Pendleton .....	D7/509
7,997,442 B2	8/2011	Pinelli		9,175,785 B2	11/2015	Tachi	
D645,709 S	9/2011	Endo		9,211,040 B2	12/2015	Lane	
D656,365 S *	3/2012	Bickert .....	D7/523	9,307,853 B2	4/2016	Melton	
8,182,683 B1	5/2012	Allen		D756,706 S *	5/2016	Kushner .....	D7/509
8,225,957 B1	7/2012	Volan		D760,528 S *	7/2016	Szekely .....	D3/202
D673,421 S	1/2013	Chiu et al.		D774,358 S *	12/2016	Joseph .....	D7/510
D675,100 S *	1/2013	Herbst .....	D7/511	D777,514 S *	1/2017	McMullin .....	D7/400
D686,040 S	7/2013	Lane		D783,369 S *	4/2017	Matsuo .....	D7/608
D686,448 S	7/2013	Boroski		2008/0006598 A1	1/2008	Fujii	
D690,557 S	10/2013	Carreno et al.		2008/0128438 A1	6/2008	Lane	
D690,558 S	10/2013	Lane		2008/0190942 A1	8/2008	Fujii et al.	
8,550,269 B2	10/2013	Lane		2008/0237233 A1	10/2008	Choi et al.	
8,579,133 B2	11/2013	Marcus et al.		2009/0199719 A1	8/2009	Bodum	
D695,069 S	12/2013	Lane		2009/0277907 A1	11/2009	Schindele et al.	
8,596,480 B2	12/2013	Arjomand		2010/0181329 A1	7/2010	Davies et al.	
D696,905 S	1/2014	Carreno et al.		2011/0174993 A1	7/2011	Blain	
D697,802 S	1/2014	Lane		2011/0198349 A1	8/2011	Lane	
8,622,229 B2	1/2014	Lane		2012/0006830 A1	1/2012	Larreau	
8,636,166 B2	1/2014	Lane		2012/0018343 A1	1/2012	Carland	
D701,091 S	3/2014	Joy		2012/0228315 A1	9/2012	Davies et al.	
8,668,106 B1	3/2014	Joy et al.		2013/0008902 A1	1/2013	Davies et al.	
8,684,223 B1	4/2014	Kalamaras		2013/0119075 A1	5/2013	Justiss	
8,689,989 B2	4/2014	Lane		2013/0175270 A1	7/2013	Fujita et al.	
8,695,830 B2	4/2014	Meyers et al.		2013/0233178 A1	9/2013	Herling et al.	
D704,001 S	5/2014	Lane		2013/0306630 A1 *	11/2013	Babinsky .....	B65D 81/3869 220/62.12
8,777,048 B2	7/2014	Choi et al.		2013/0319966 A1	12/2013	Lane	
D710,653 S	8/2014	Goto et al.		2013/0320011 A1	12/2013	Tachi	
D712,701 S	9/2014	Boroski		2013/0320251 A1	12/2013	Tachi	
D713,206 S	9/2014	Lane et al.		2014/0138395 A1	5/2014	Joy et al.	
8,827,099 B2	9/2014	Joy et al.		2014/0166654 A1	6/2014	Lane	
8,833,586 B2	9/2014	Meyers et al.		2014/0174965 A1	6/2014	Herling et al.	
8,844,742 B2	9/2014	Fujita et al.		2014/0175042 A1	6/2014	Lane	
8,844,746 B2	9/2014	Meyers et al.		2014/0190982 A1	7/2014	Speed	
8,844,758 B1	9/2014	Kummer		2014/0261003 A1	9/2014	Maruyama et al.	
D714,584 S	10/2014	Boroski		2014/0263324 A1	9/2014	Latham et al.	
D714,590 S *	10/2014	Liotta .....	D7/515	2014/0263441 A1	9/2014	Maruyama et al.	
D715,100 S	10/2014	Eyal		2014/0263476 A1	9/2014	Blain et al.	
8,870,007 B2	10/2014	Robbins, III et al.		2014/0312077 A1	10/2014	Talma et al.	
D716,657 S	11/2014	Caneer		2014/0319158 A1	10/2014	Lonsway	
D718,626 S	12/2014	Lane		2015/0216343 A1	8/2015	Price	
D719,444 S	12/2014	Sullivan		2015/0223628 A1	8/2015	Cheung et al.	
D719,445 S	12/2014	Caneer		2016/0159538 A1 *	6/2016	Michie .....	A45F 3/16 215/306
D719,780 S	12/2014	Sullivan					

\* cited by examiner

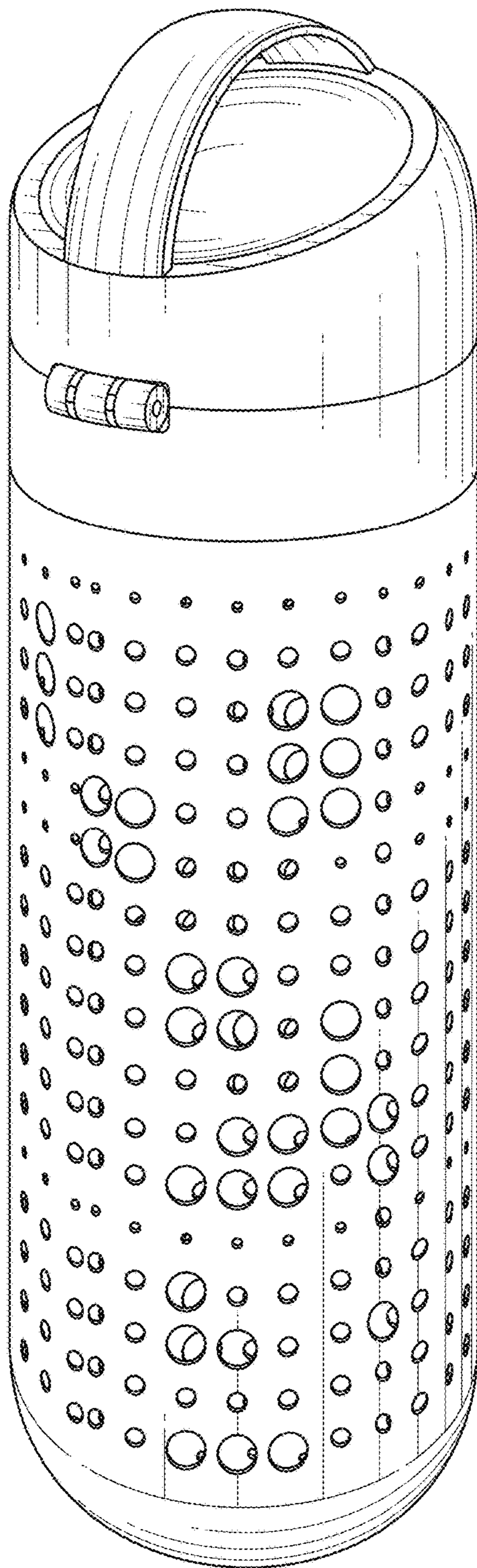


FIG. 1

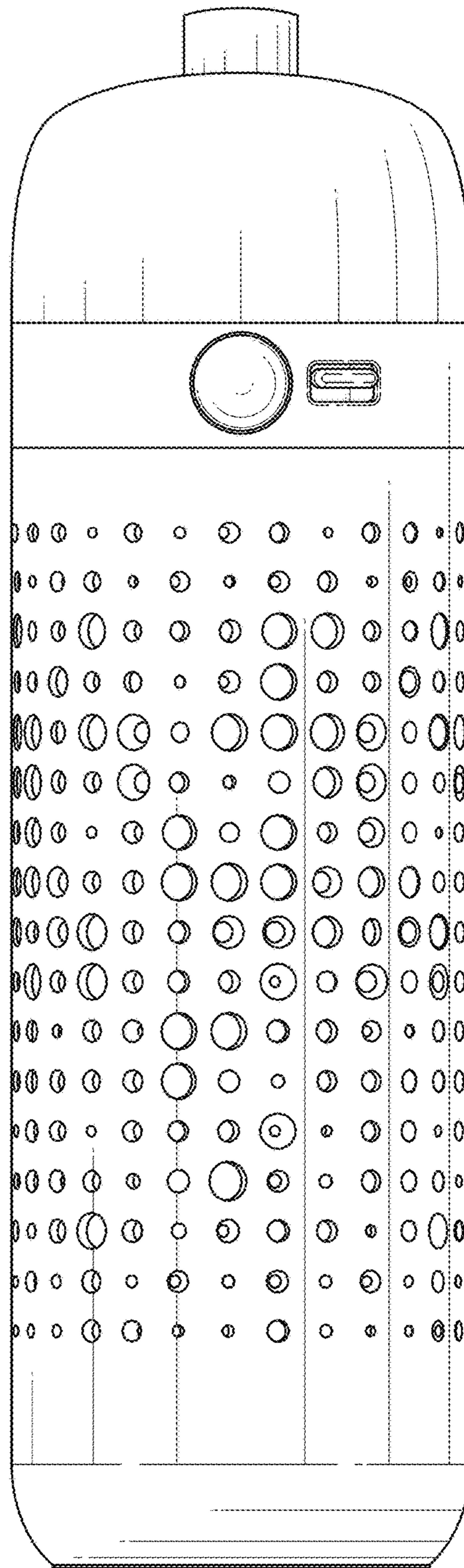


FIG. 2

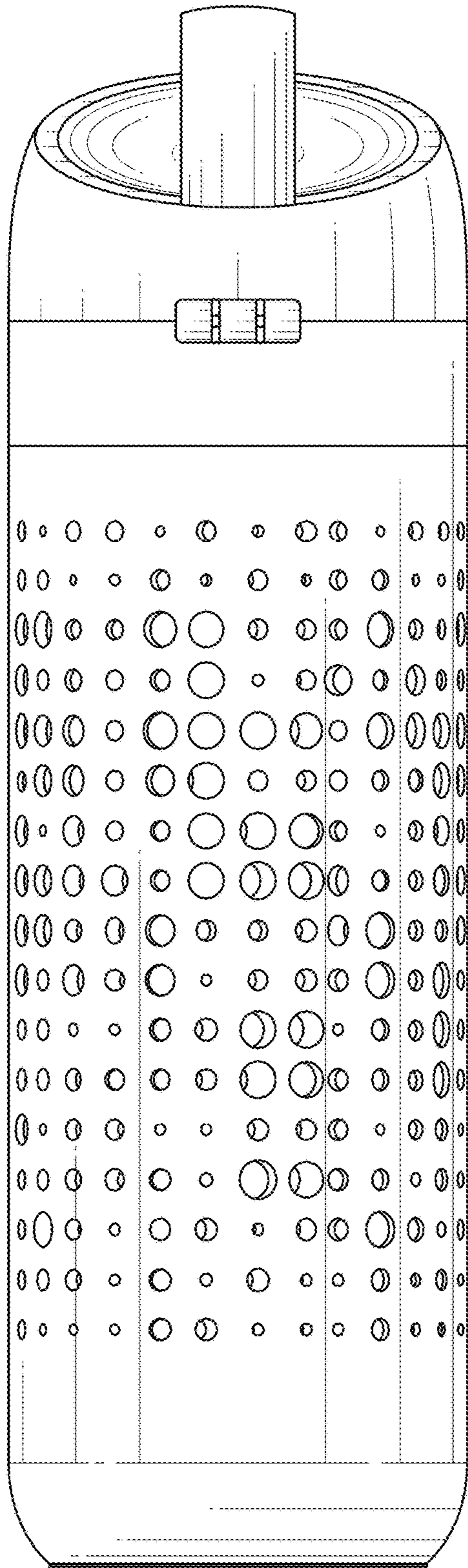


FIG. 3

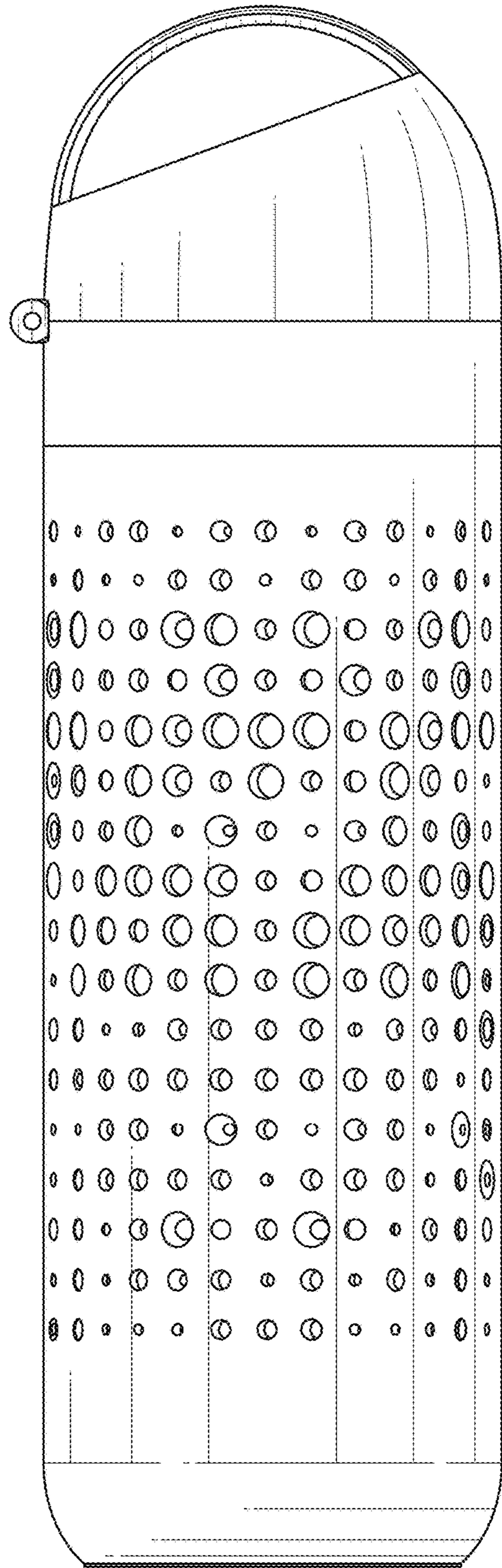


FIG. 4

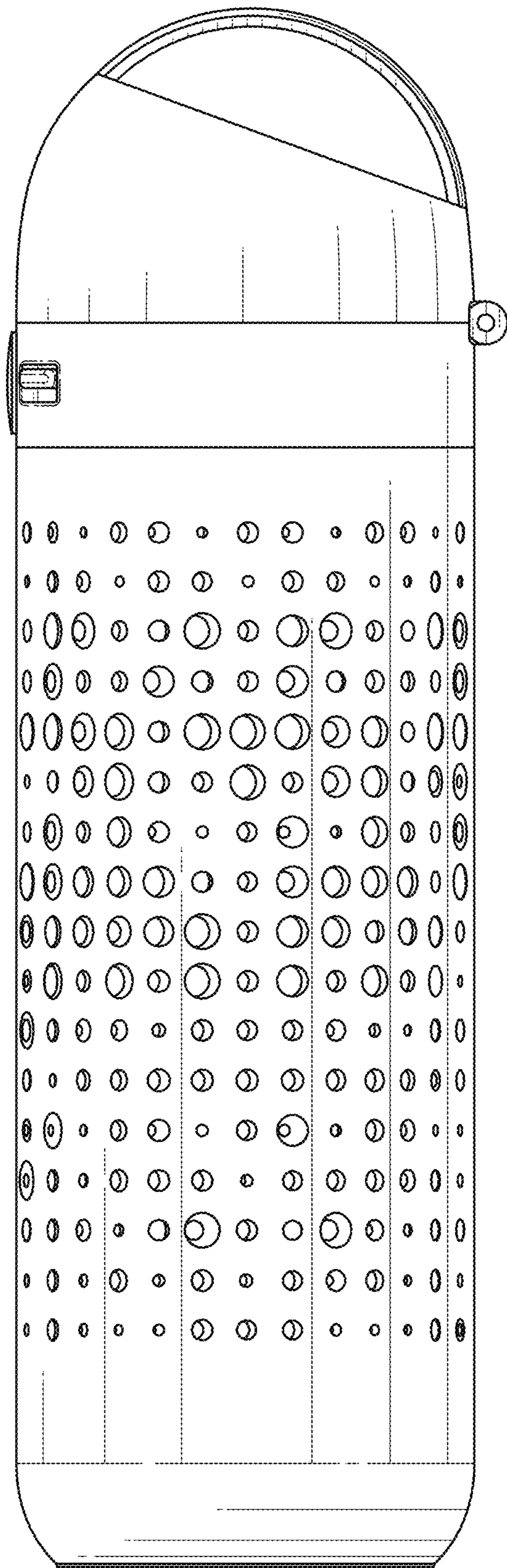


FIG. 5

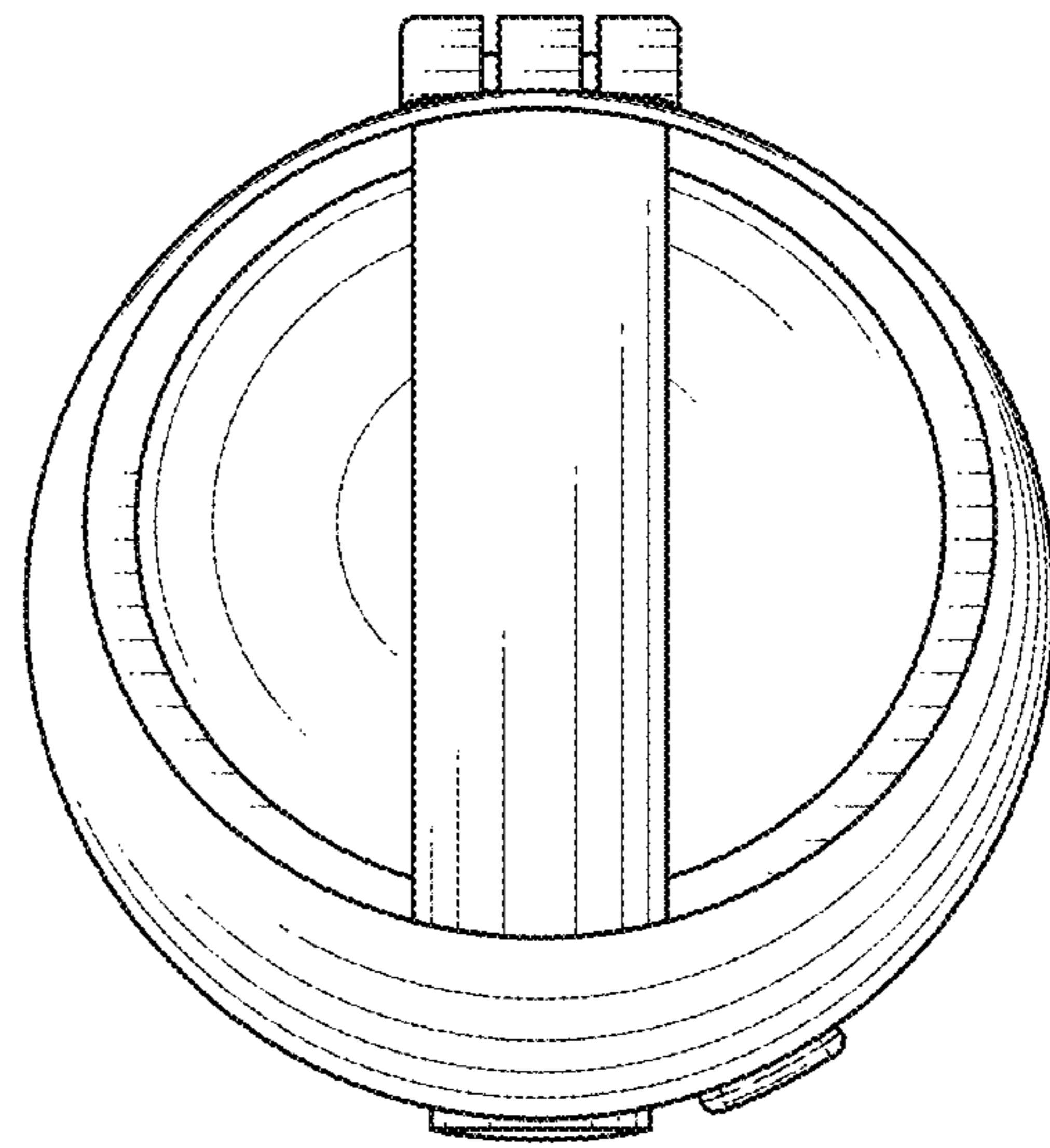


FIG. 6

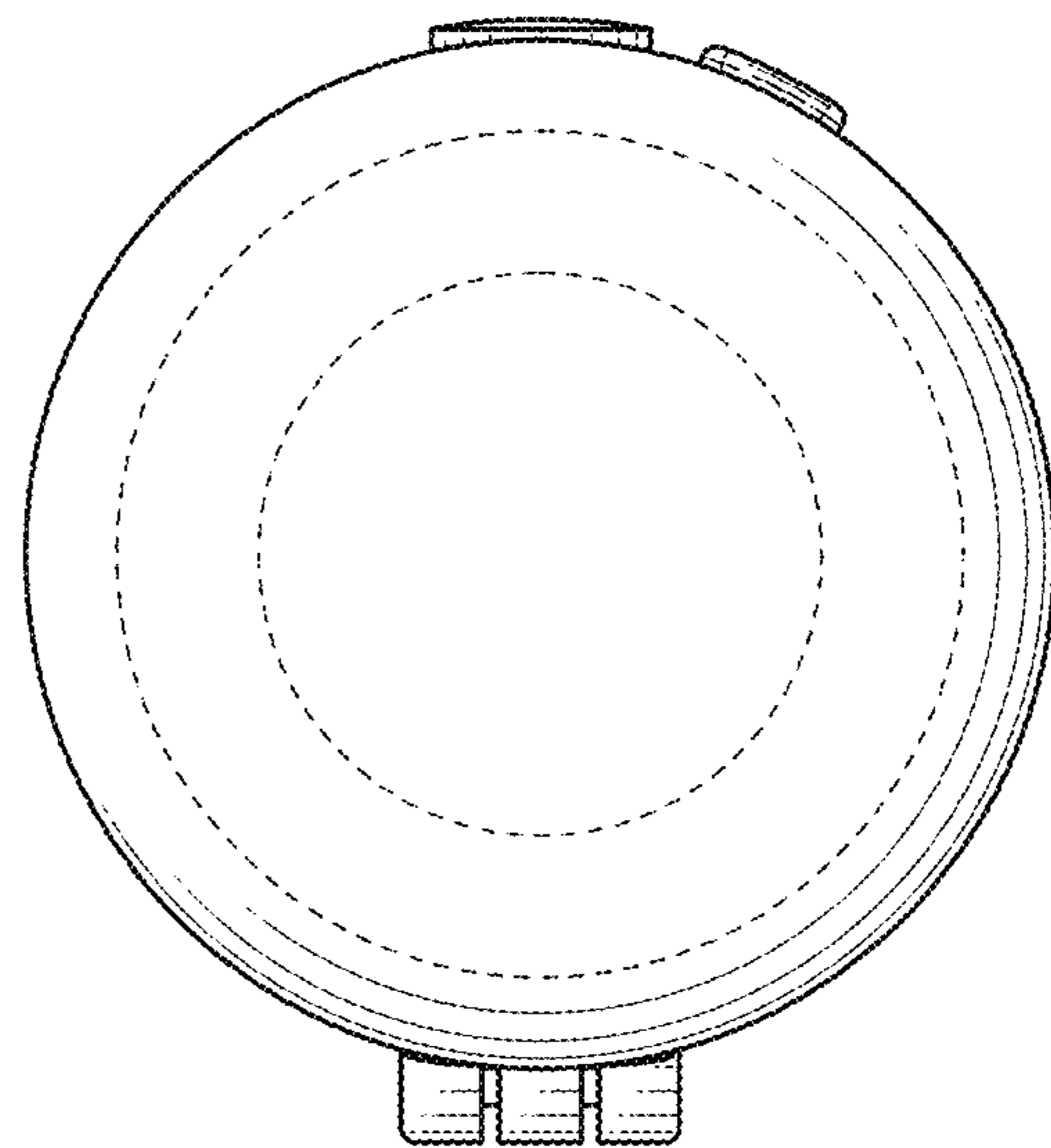


FIG. 7