



US00D821144S

(12) **United States Design Patent** (10) **Patent No.:** **US D821,144 S**
Fairchild, Jr. (45) **Date of Patent:** **** *Jun. 26, 2018**

- (54) **COMBINATION CUP AND INSULATING SLEEVE**
- (71) Applicant: **Huhtamaki, Inc.**, De Soto, KS (US)
- (72) Inventor: **Robert L. Fairchild, Jr.**, Middletown, OH (US)
- (73) Assignee: **HUHTAMAKI, INC.**, De Soto, KS (US)
- (*) Notice: This patent is subject to a terminal disclaimer.
- (**) Term: **15 Years**
- (21) Appl. No.: **29/578,766**
- (22) Filed: **Sep. 23, 2016**

Related U.S. Application Data

- (62) Division of application No. 29/509,261, filed on Nov. 14, 2014, now Pat. No. Des. 769,717.
- (51) **LOC (11) Cl.** **07-01**
- (52) **U.S. Cl.**
USPC **D7/509; D9/455; D7/624.2**
- (58) **Field of Classification Search**
USPC D3/202; D9/430, 433, 455, 500, 501, D9/521, 544, 560, 571, 702, 703, 711, D9/715, 716, 754; D7/387, 396.1, 396.2, D7/431, 500, 509-511, 521, 523, 544, D7/560, 571, 601-608, 612, 615, 619.1, D7/624.1, 624.2; D34/1, 7, 10, 11, 39; D11/143, 152
CPC . B65D 1/22; B65D 1/26; B65D 1/265; B65D 3/06; B65D 81/38; B65D 81/3886; B65D 81/3876; B65D 81/3879; B65D 81/3883; B65D 81/3881; B65D 25/00; B65D 25/30; B65D 7/24; B65D 23/104; B29C 57/125; B29C 61/02; B29C 63/06; A45C 11/20; A47G 23/0216; A47G 19/2285; A45F 2200/0583; A61F 7/10

See application file for complete search history.

- (56) **References Cited**
- U.S. PATENT DOCUMENTS
- D94,553 S * 2/1935 Marquot D7/531
- 3,526,316 A * 9/1970 Kalogris B65D 85/816
206/217
- D253,872 S 1/1980 Reynolds
- D256,669 S 9/1980 Mitchell
- (Continued)
- FOREIGN PATENT DOCUMENTS
- CA 2912005 A1 * 5/2016 B65D 81/3876
- CA 2912222 A1 * 5/2016 A47G 23/0216

OTHER PUBLICATIONS

Huhtamaki Insulated Cup_Announced Nov. 18, 2017 [online]. Site visited [Sep. 5, 2017. Available from Internet URL: http://www2.us.huhtamaki.com/foodservice/-/foodservice/63502.*

(Continued)

Primary Examiner — Thomas Johannes
Assistant Examiner — Catherine S Posthauer
(74) *Attorney, Agent, or Firm* — Husch Blackwell LLP

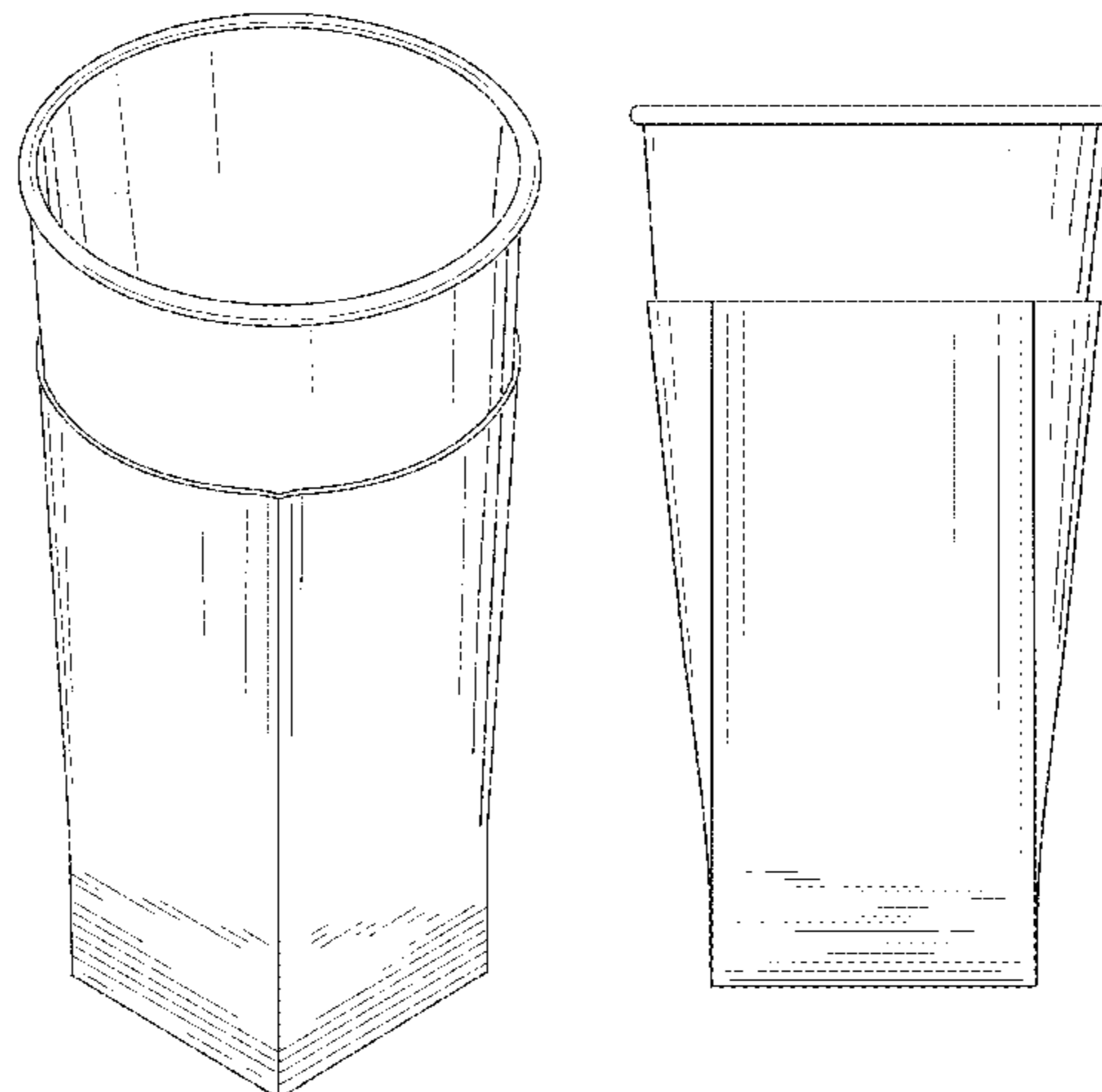
(57) **CLAIM**

The ornamental design for a combination cup and insulating sleeve, as shown and described.

DESCRIPTION

FIG. 1 is a perspective view of a design of a combination cup and insulating sleeve;
FIG. 2 is a left side elevational view thereof (the right side, front and rear elevational views thereof are identical images of the view shown in FIG. 2);
FIG. 3 is a top plan view thereof; and,
FIG. 4 is a bottom plan view thereof.
The broken lines are shown for the purpose of illustrating parts of the article that form no part of the claim.

1 Claim, 3 Drawing Sheets



(56)

References Cited

U.S. PATENT DOCUMENTS

D273,651 S * 5/1984 Emrick D7/523
 4,872,569 A 10/1989 Bolte
 D333,196 S * 2/1993 Dziersk D34/1
 5,385,260 A 1/1995 Gatcomb
 D369,518 S * 5/1996 Wilson D7/523
 D369,519 S * 5/1996 Wilson D7/509
 5,628,453 A 5/1997 MacLaughlin
 D386,047 S 11/1997 Jarvis
 6,010,062 A 1/2000 Shimono
 6,142,331 A * 11/2000 Breining B32B 5/18
 220/62.12
 D454,034 S 3/2002 McLaughlin
 6,367,652 B1 4/2002 Toida et al.
 D468,203 S 1/2003 Gittins et al.
 D477,751 S * 7/2003 Chuang D7/523
 D552,930 S 10/2007 Huffman et al.
 D559,039 S * 1/2008 Freeman D7/509
 D559,623 S 1/2008 Schellenberg
 7,458,504 B2 * 12/2008 Robertson B65D 81/3869
 220/62.12
 D590,211 S 4/2009 Mancha, Jr. et al.
 D590,212 S 4/2009 Mancha, Jr. et al.
 7,552,841 B2 6/2009 Hollis et al.
 D613,612 S 4/2010 D'Amato
 7,694,843 B2 * 4/2010 Hollis B65D 1/28
 220/703
 D614,920 S 5/2010 Dobbin
 D624,788 S 10/2010 Koennecke
 7,828,199 B2 11/2010 Robertson et al.
 D635,399 S * 4/2011 DelVecchio D7/509
 D649,397 S * 11/2011 Wilkens D7/396.2
 D653,088 S 1/2012 Hansen et al.
 D659,472 S 5/2012 D'Amato
 D682,088 S 5/2013 De Urquijo Carmona
 D693,645 S * 11/2013 Keyes D7/523
 8,828,170 B2 * 9/2014 Stamatiou B32B 27/10
 156/243
 D720,576 S 1/2015 Dresner
 D720,963 S 1/2015 Jarvis et al.
 D740,613 S 10/2015 Crosby et al.
 D769,717 S * 10/2016 Fairchild, Jr. D7/624.2
 D774,827 S * 12/2016 Miller D7/507

D789,155 S * 6/2017 Triato D7/624.2
 D795,017 S * 8/2017 Freeman D7/584
 2003/0015582 A1 1/2003 Handel
 2005/0230405 A1 * 10/2005 Dix B65D 81/3879
 220/737
 2006/0266755 A1 * 11/2006 Hollis B29C 63/06
 220/703
 2007/0107187 A1 * 5/2007 Hollis B29C 63/06
 29/447
 2010/0025414 A1 * 2/2010 Mansour B65D 81/3886
 220/738
 2010/0072268 A1 * 3/2010 Johnson B65D 25/20
 229/403
 2010/0200603 A1 * 8/2010 Kim B65D 81/3876
 220/739
 2011/0042451 A1 * 2/2011 Seo B65D 81/3874
 229/403
 2011/0114647 A1 * 5/2011 Hallberg A47G 19/2227
 220/592.17
 2011/0114657 A1 * 5/2011 Nygaard B65D 23/12
 220/738
 2012/0187137 A1 * 7/2012 Lee B65D 81/3886
 220/739
 2012/0263912 A1 * 10/2012 Sanders B32B 7/12
 428/99
 2015/0083791 A1 * 3/2015 Gonzalez B65D 81/3874
 229/403
 2015/0276296 A1 * 10/2015 Smith F25D 3/08
 62/457.4
 2016/0137389 A1 5/2016 Fairchild, Jr.
 2016/0286994 A1 * 10/2016 Felty A47G 23/0216

OTHER PUBLICATIONS

Huhtamaki Insulated Cup: Site Visited [Sep. 5, 2017]. Available from Internet URL: <http://www2.us.huhtamaki.com/foodservice/-/foodservice/63128>.
 Logo It, Brewzy Insulators, 4 Pages, <http://logoit.com/Item/beer-cozies/pint-glass-cozies/pint-sleeve-scuba-foam>, Accessed Feb. 12, 2016.
 Logo It, Brewzy Insulators, 4 Pages, <http://logoit.com/Item/beer-cozies/cup-cozies/cup-sleeve-neoprene>, Accessed Feb. 12, 2016.

* cited by examiner

FIG. 1

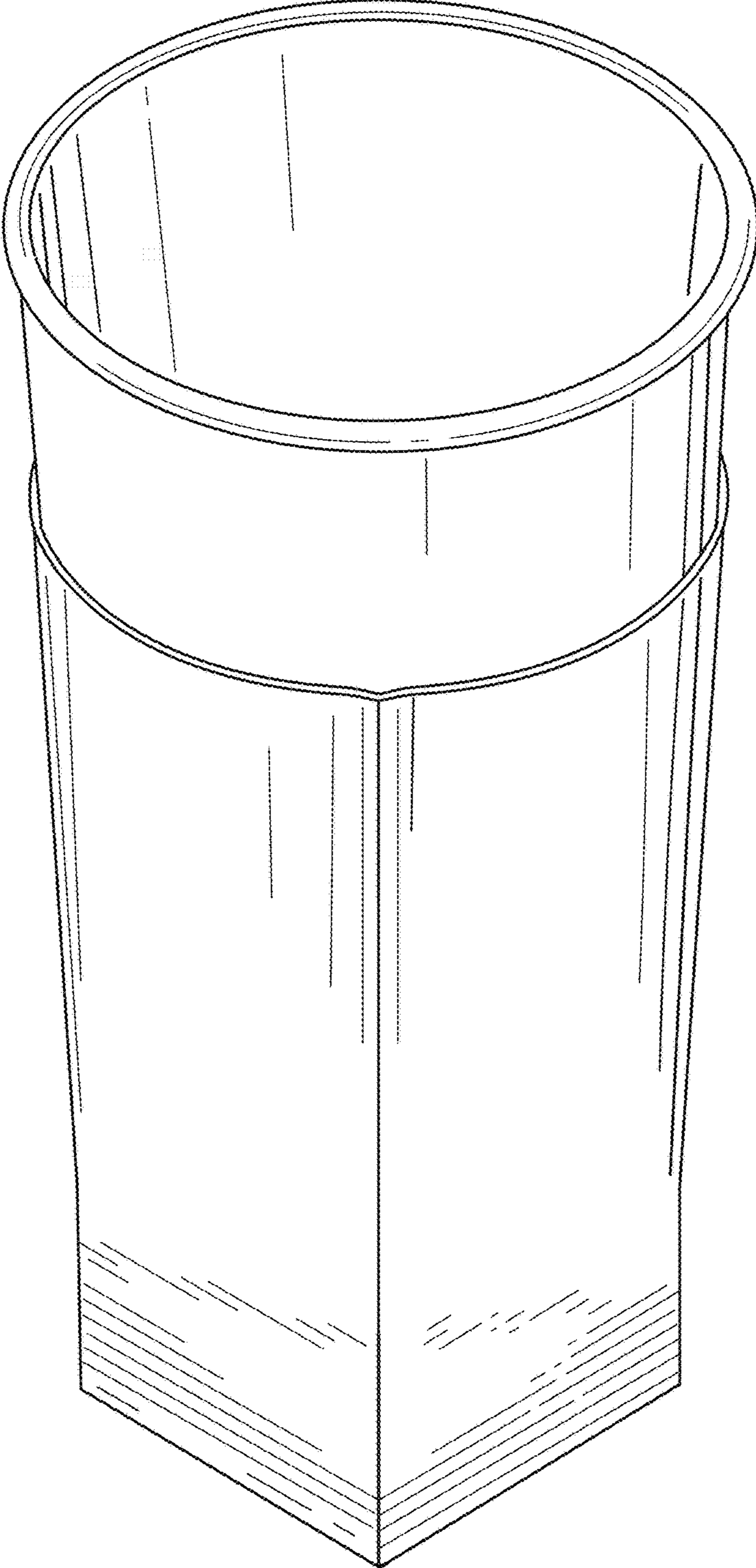


FIG. 2

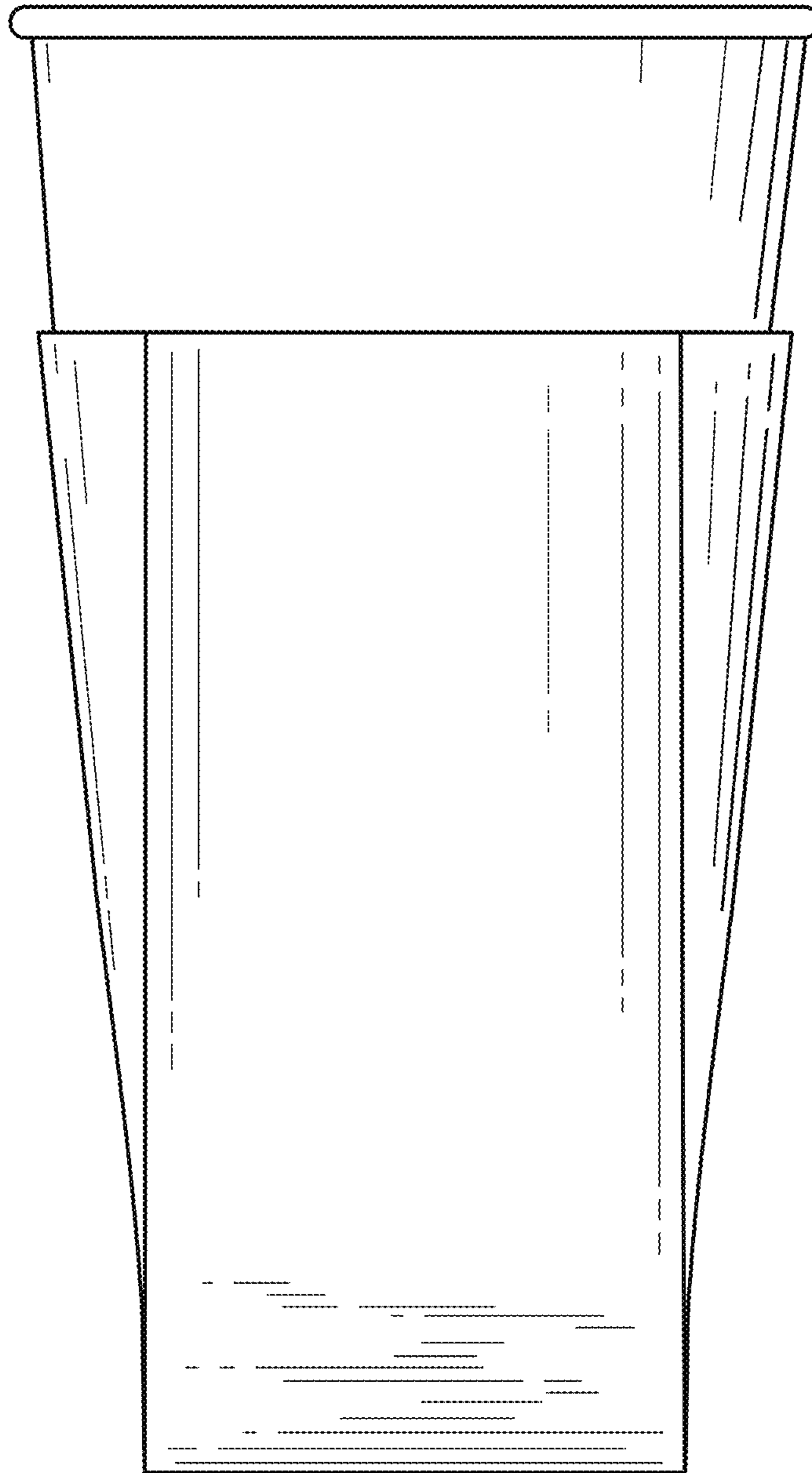


FIG. 3

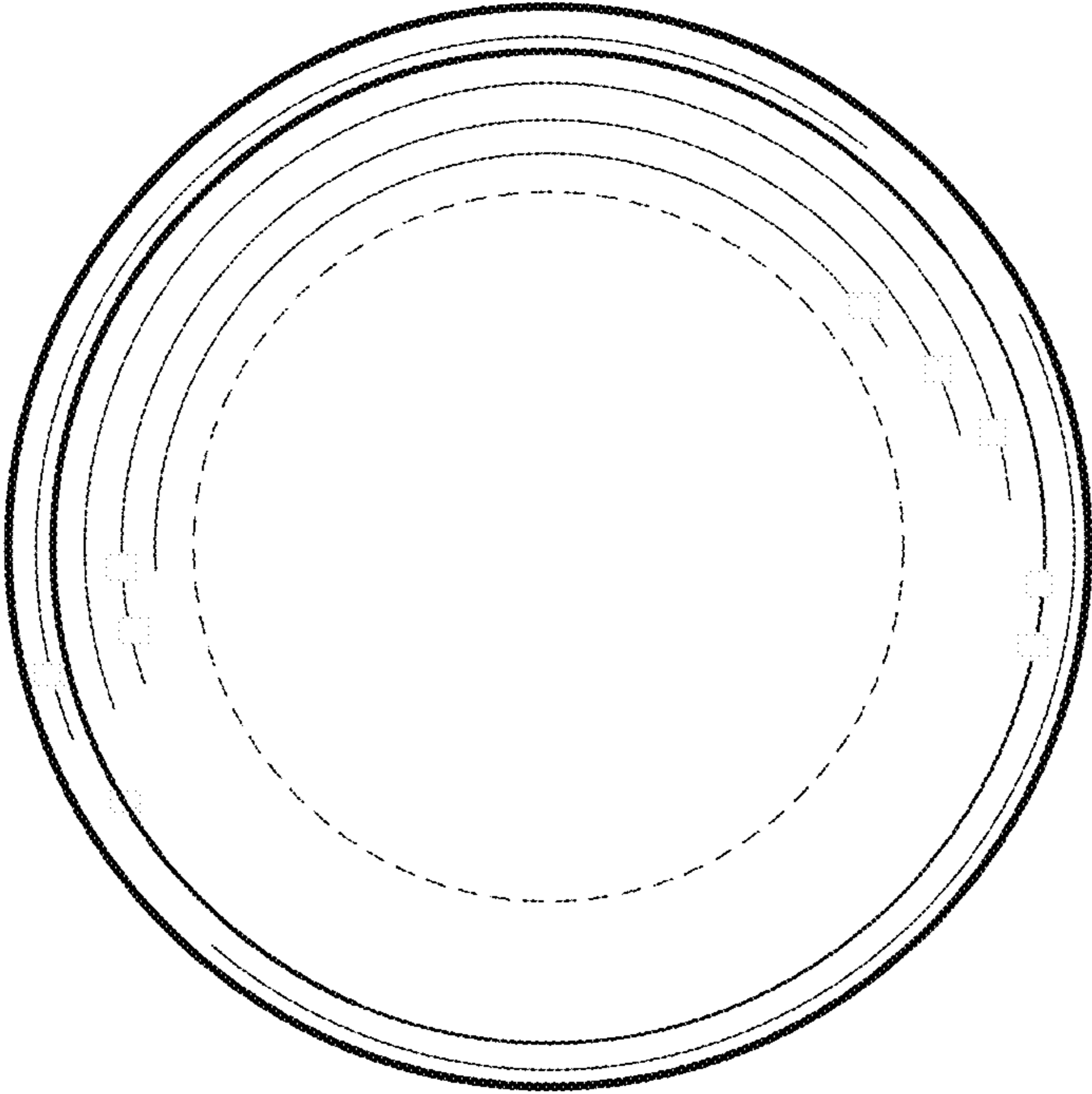


FIG. 4

